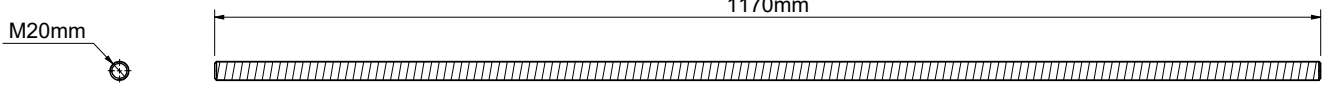
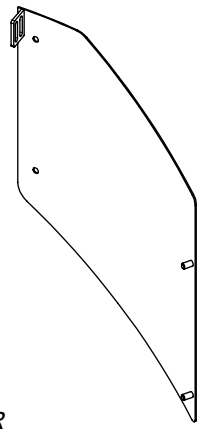
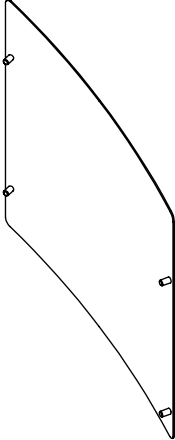
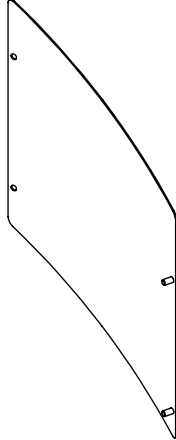
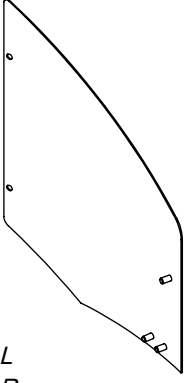
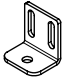





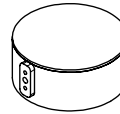
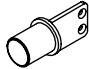
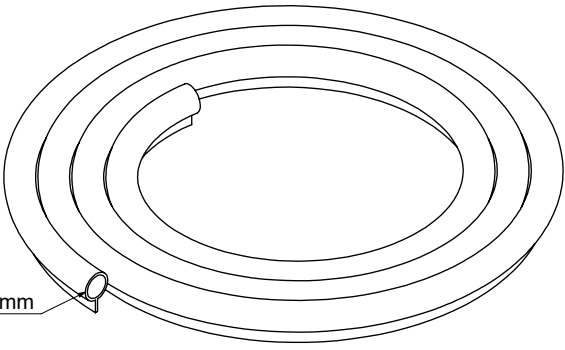
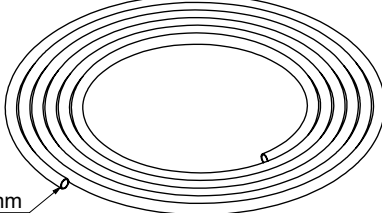
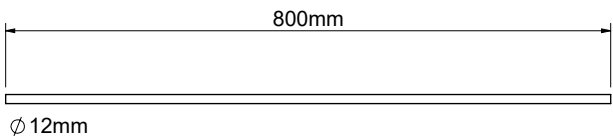
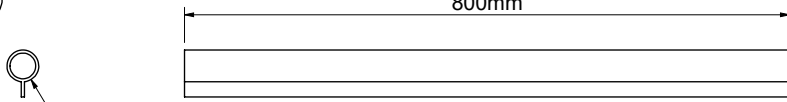
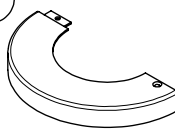











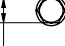















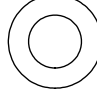
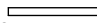

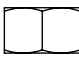






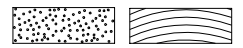
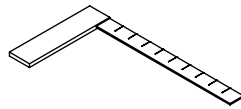


<p>14</p>  <p>M20mm</p> <p>1170mm</p> <p>x 1 K3-07013</p>					
<p>15</p>  <p>x 1 K2-1066915 L K2-1066925 R</p>	<p>16</p>  <p>x 6 K2-1066914 L K2-1066924 R</p>	<p>17</p>  <p>x 5 K2-1066917 L K2-1066927 R</p>			
<p>18</p>  <p>x 1 K2-1066916 L K2-1066926 R</p>	<p>19</p>  <p>x 1 K1-1066955</p>	<p>20</p>  <p>x 20 K1-1066935</p>	<p>21</p>  <p>x 3 K1-1077005</p>	<p>22</p>  <p>x 1 K1-39000</p>	
	<p>23</p>  <p>x 20 K1-1066936</p>	<p>24</p>  <p>x 10 K1-1066939</p>	<p>25</p>  <p>x 1 K2-1066904</p>	<p>26</p>  <p>x 1 K2-1066906</p>	
<p>27</p>  <p>Ø42mm</p> <p>x 1 K1-1066959 6 m</p>	<p>28</p>  <p>Ø12mm</p> <p>x 2 K1-1066938 6 m</p>				
	<p>29</p>  <p>800mm</p> <p>Ø12mm</p> <p>x 3 K1-1066937</p>				
<p>30</p>  <p>800mm</p> <p>Ø42mm</p> <p>x 1 K1-1066958</p>	<p>31</p>  <p>x 2 K2-1066901</p>		<p>32</p>  <p>x 1 K1-1066965</p>		

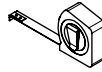
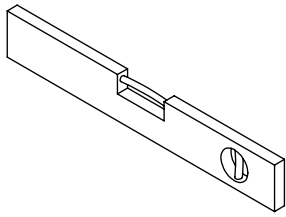
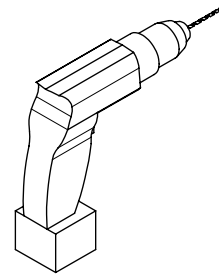
<p>40</p>  <p>x 100 K3-10355 Ø6 x 35 - Torx 30</p> 	<p>41</p>  <p>x 4 K3-02034 M6 x 12</p> 	<p>42</p>  <p>x 4 K3-10403 Ø6 x 40 - Torx 25</p> 	<p>43</p>  <p>x 8 K3-08004 Ø10 x 60</p>		<p>45</p>  <p>x 8 K3-06015 Ø8 x 70</p>
<p>46</p>  <p>x 58 K3-10402 Ø8 - RAL 9005</p> 	<p>47</p>  <p>13mm</p>  <p>x 58 K1-01014</p>	<p>48</p>   <p>x 53 K3-03028 M8</p>	<p>49</p>  <p>x 2 K3-10432 M6 - RAL 9005</p> 	<p>50</p>  <p>x 2 K3-10408 M6 x 16</p> 	<p>51</p>  <p>x 14 K1-1066934 M8 x 35</p> 
<p>52</p>  <p>x 7 K3-10436 M6 x 16 - RAL 9005</p> 	<p>53</p>  <p>x 20 K3-02016 M5 x 12</p> 	<p>54</p>  <p>x 2 K3-10484 M5 x 12 - RAL 9005</p> 	<p>55</p>  <p>x 2 K3-04020 Ø20</p> 	<p>56</p>  <p>x 2 K3-03024 M20</p> 	<p>57</p>  <p>x 1 K3-05003 M8 x 6</p> 
<p>58</p>  <p>x 2 K3-10441 M4 x 10 - RAL 9005</p> 	<p>69</p>  <p>x 1 R1-63272 Ø6 x 25</p> 				



Tools not included!
 Werkzeuge nicht enthalten!
 Gereedschap niet inbegrepen!
 Outils non inclus!
 Værktøj ikke inkluderet!



Ø 10mm Ø 3,5mm
 Ø 4mm
 Ø 6mm



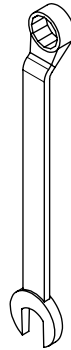
Torx 25
 Torx 30



PZ3



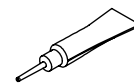
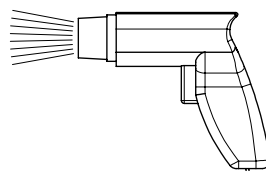
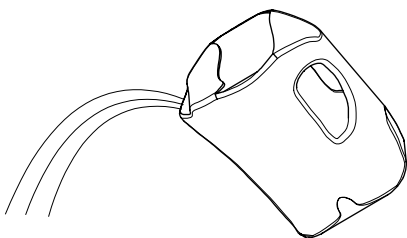
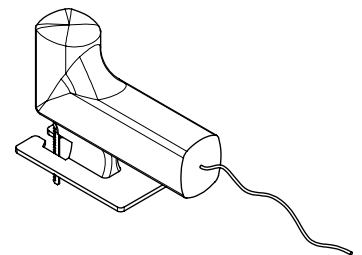
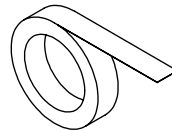
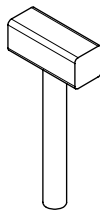
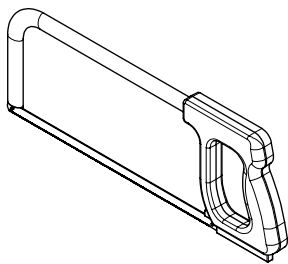
3mm
 4mm

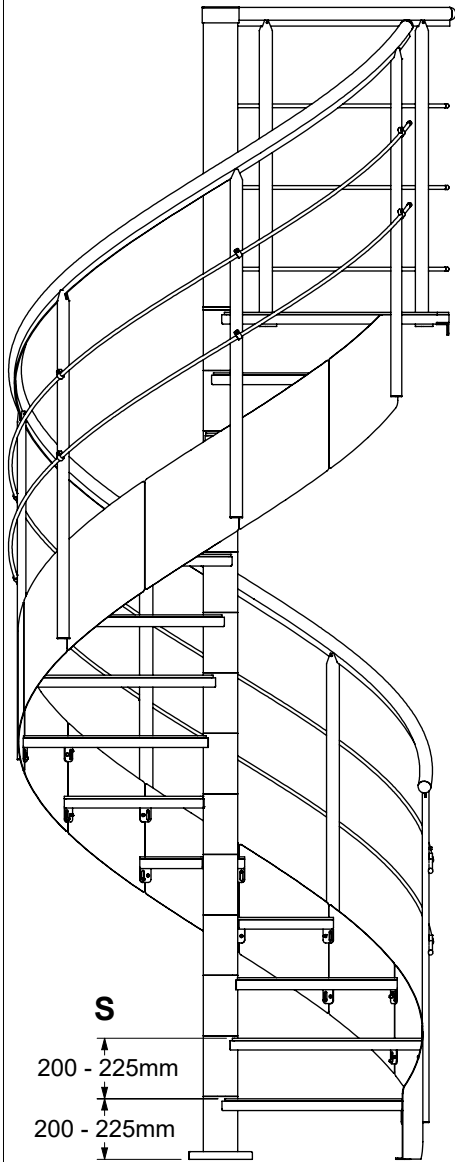


30mm



13mm



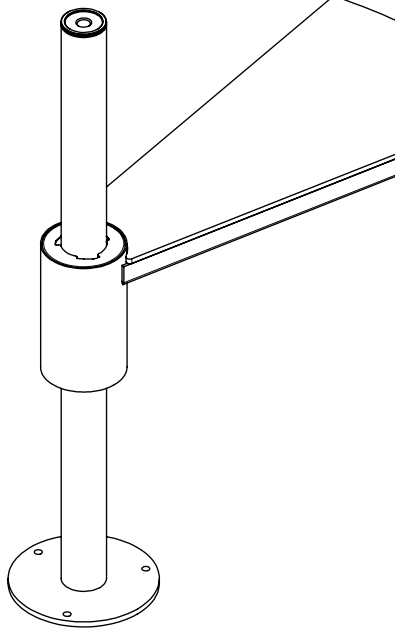


S

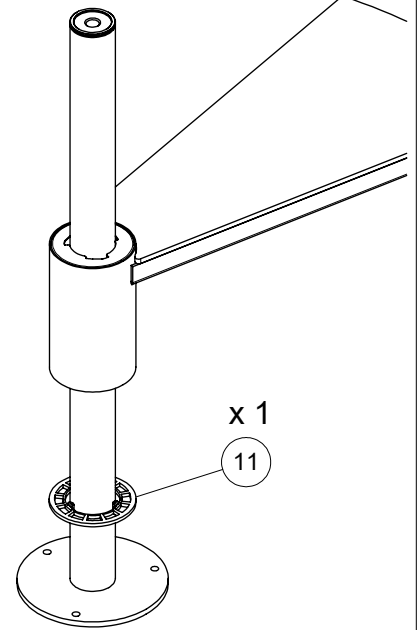
200 - 225mm

200 - 225mm

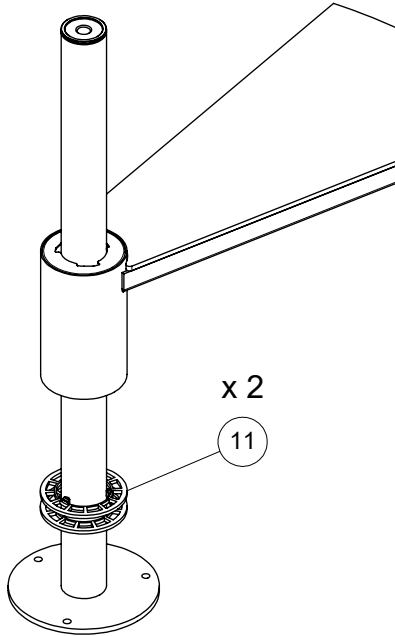
200 mm



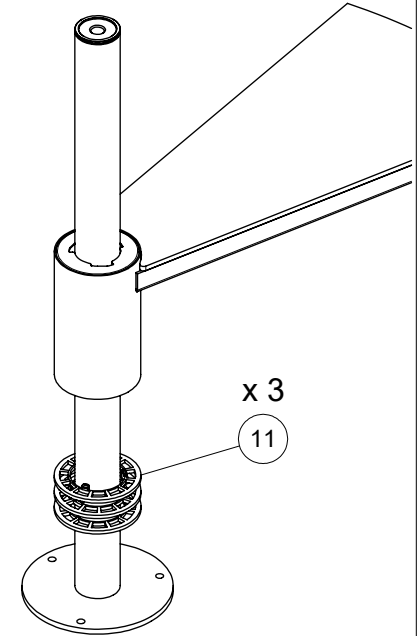
205 mm



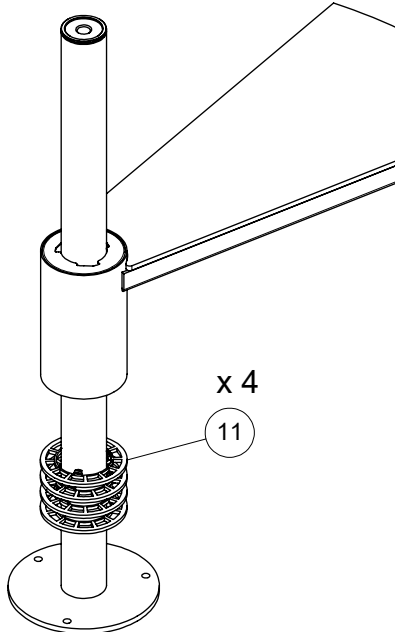
210 mm



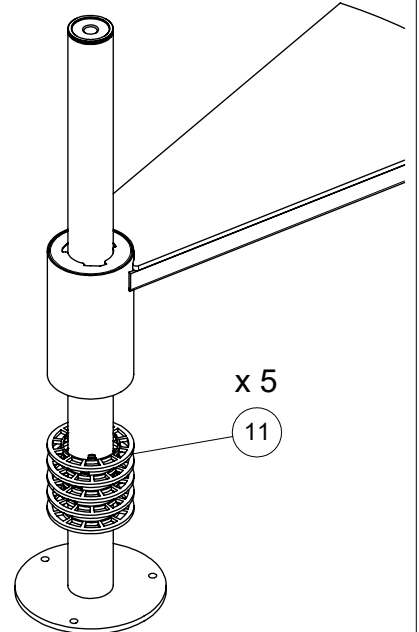
215 mm



220 mm

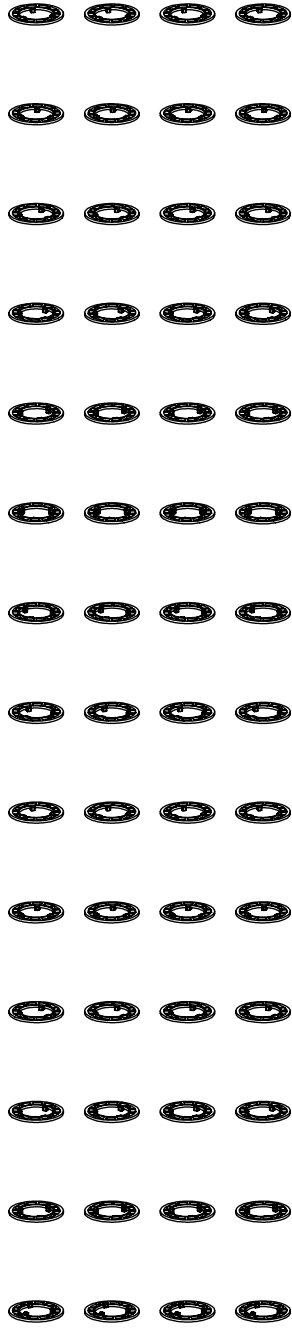


225 mm





N
0 - 5 pcs



N x S

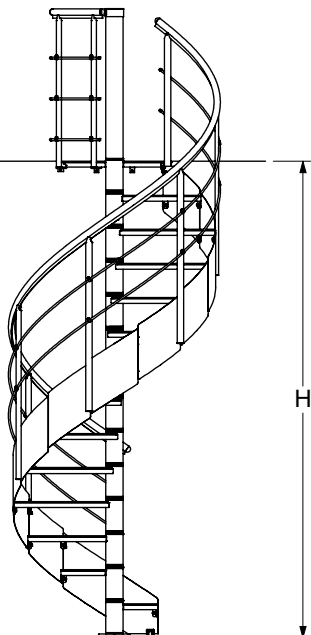
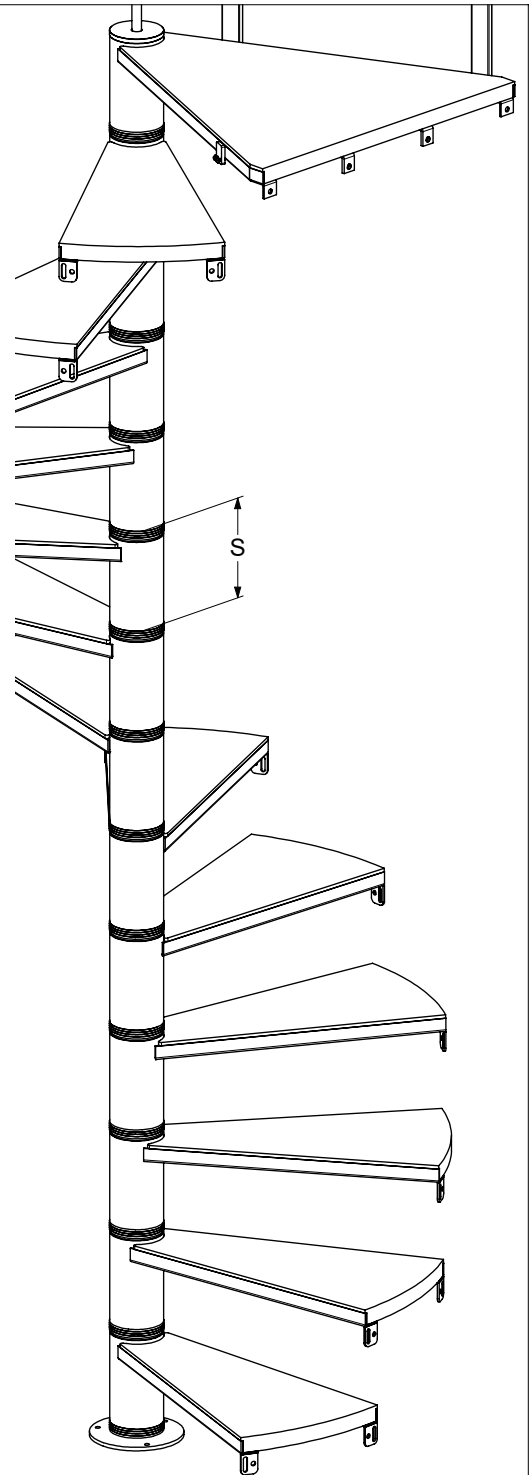
P
+1 pcs



P

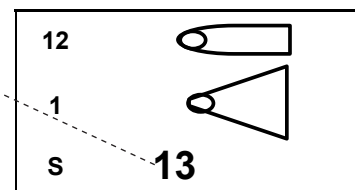
4 pcs x 13
= 52 pcs

+ 5 pcs



H

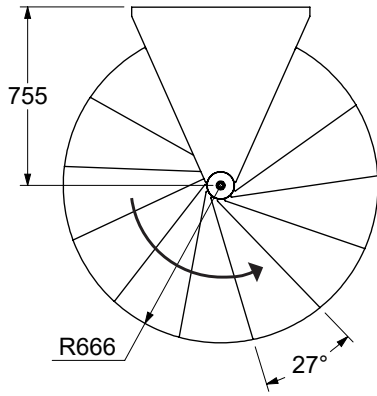
2870	4	2
2875	4	3
2880	4	4
2885	4	5
2890	4	6
2895	4	7
2900	4	8
2905	4	9



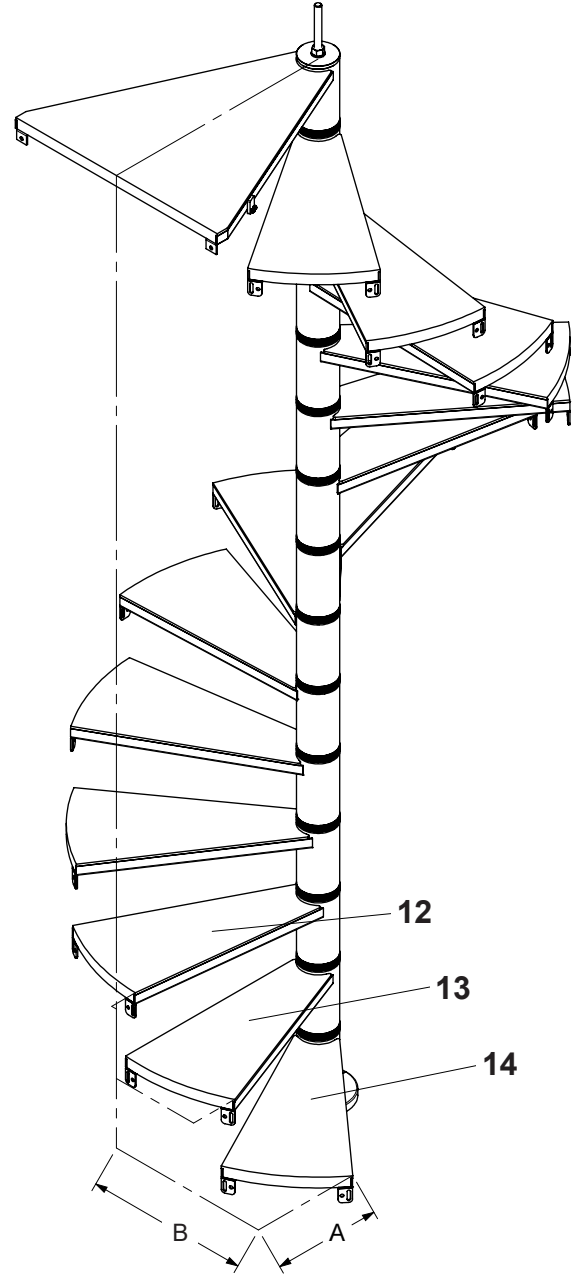
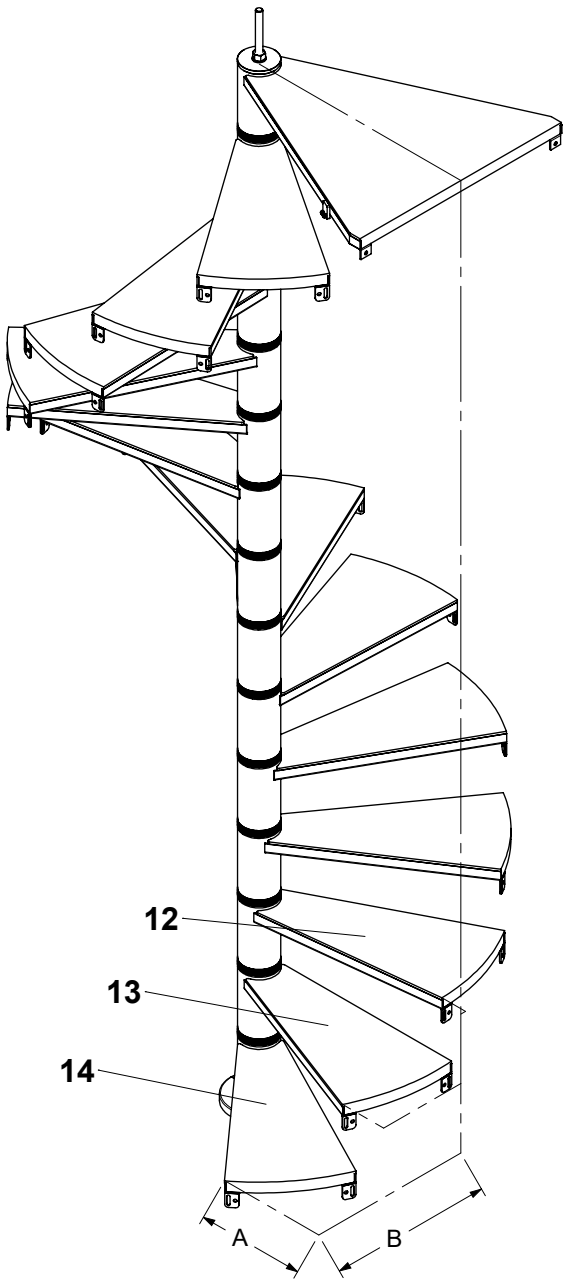
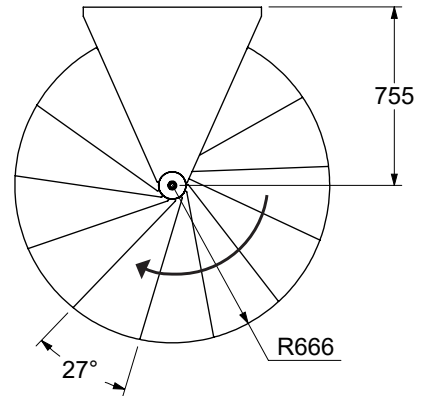
11			12			13			14			15			16		
1			1			1			1			1			1		
s			s			s			s			s			s		
H	N	P	H	N	P	H	N	P	H	N	P	H	N	P	H	N	P
mm	pcs	pcs	mm	pcs	pcs	mm	pcs	pcs	mm	pcs	pcs	mm	pcs	pcs	mm	pcs	pcs
2400	0	0	2600	3	4	2600	0	0	2800	3	1	2800	0	0	3015	3	1
2405	0	1	2605	3	5	2605	0	1	2805	3	2	2805	0	1	3020	3	2
2410	0	2	2610	3	6	2610	0	2	2810	3	3	2810	0	2	3025	3	3
2415	0	3	2615	3	7	2615	0	3	2815	3	4	2815	0	3	3030	3	4
2420	0	4	2620	3	8	2620	0	4	2820	3	5	2820	0	4	3035	3	5
2425	0	5	2625	3	9	2625	0	5	2825	3	6	2825	0	5	3040	3	6
2430	0	6	2630	3	10	2630	0	6	2830	3	7	2830	0	6	3045	3	7
2435	0	7	2635	3	11	2635	0	7	2835	3	8	2835	0	7	3050	3	8
2440	0	8	2640	4	0	2640	0	8	2840	3	9	2840	0	8	3055	3	9
2445	0	9	2645	4	1	2645	0	9	2845	3	10	2845	0	9	3060	3	10
2450	0	10	2650	4	2	2650	0	10	2850	3	11	2850	0	10	3065	3	11
2455	0	11	2655	4	3	2655	0	11	2855	3	12	2855	0	11	3070	3	12
2460	1	0	2660	4	4	2660	0	12	2860	4	0	2860	0	12	3075	3	13
2465	1	1	2665	4	5	2665	1	0	2865	4	1	2865	0	13	3080	4	0
2470	1	2	2670	4	6	2670	1	1	2870	4	2	2870	1	0	3085	4	1
2475	1	3	2675	4	7	2675	1	2	2875	4	3	2875	1	1	3090	4	2
2480	1	4	2680	4	8	2680	1	3	2880	4	4	2880	1	2	3095	4	3
2485	1	5	2685	4	9	2685	1	4	2885	4	5	2885	1	3	3100	4	4
2490	1	6	2690	4	10	2690	1	5	2890	4	6	2890	1	4	3105	4	5
2495	1	7	2695	4	11	2695	1	6	2895	4	7	2895	1	5	3110	4	6
2500	1	8	2700	5	0	2700	1	7	2900	4	8	2900	1	6	3115	4	7
2505	1	9				2705	1	8	2905	4	9	2905	1	7	3120	4	8
2510	1	10				2710	1	9	2910	4	10	2910	1	8	3125	4	9
2515	1	11				2715	1	10	2915	4	11	2915	1	9	3130	4	10
2520	2	0				2720	1	11	2920	4	12	2920	1	10	3135	4	11
2525	2	1				2725	1	12	2925	5	0	2925	1	11	3140	4	12
2530	2	2				2730	2	0				2930	1	12	3145	4	13
2535	2	3				2735	2	1				2935	1	13	3150	5	0
2540	2	4				2740	2	2				2940	2	0			
2545	2	5				2745	2	3				2945	2	1			
2550	2	6				2750	2	4				2950	2	2			
2555	2	7				2755	2	5				2955	2	3			
2560	2	8				2760	2	6				2960	2	4			
2565	2	9				2765	2	7				2965	2	5			
2570	2	10				2770	2	8				2970	2	6			
2575	2	11				2775	2	9				2975	2	7			
2580	3	0				2780	2	10				2980	2	8			
2585	3	1				2785	2	11				2985	2	9			
2590	3	2				2790	2	12				2990	2	10			
2595	3	3				2795	3	0				2995	2	11			
												3000	2	12			
												3005	2	13			
												3010	3	0			




L



R

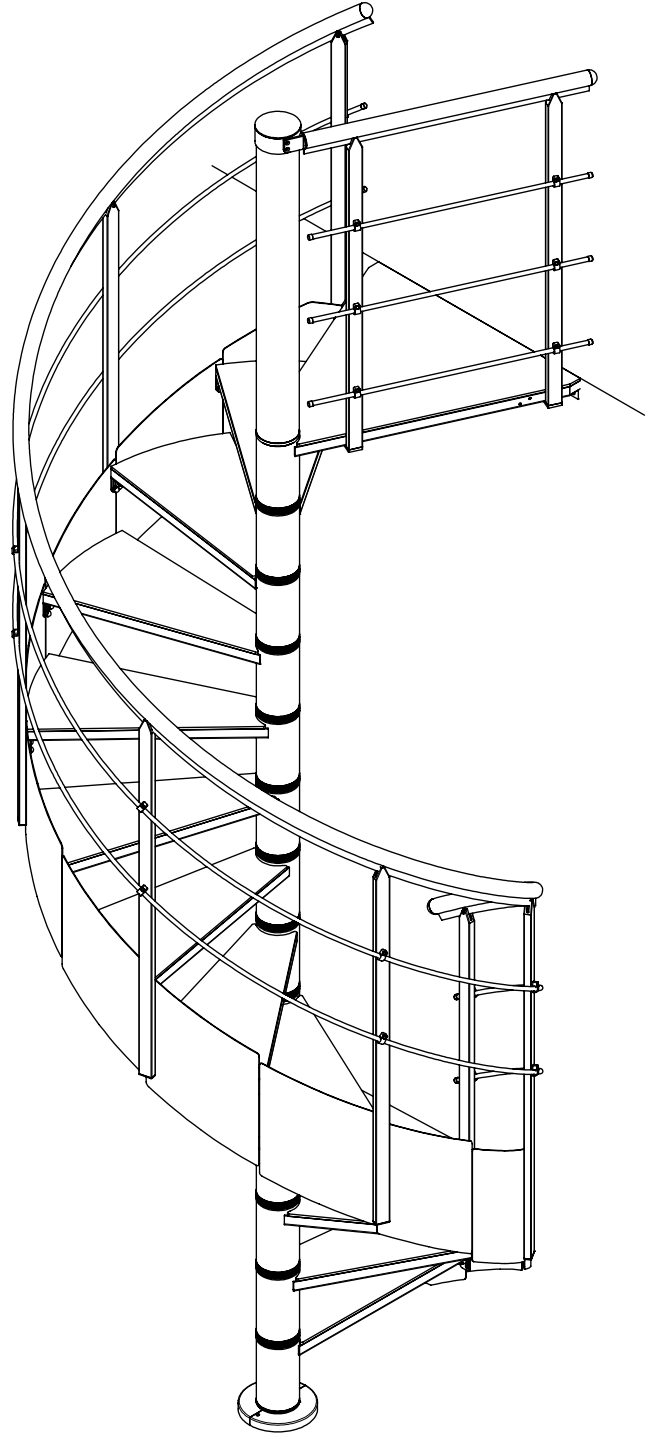
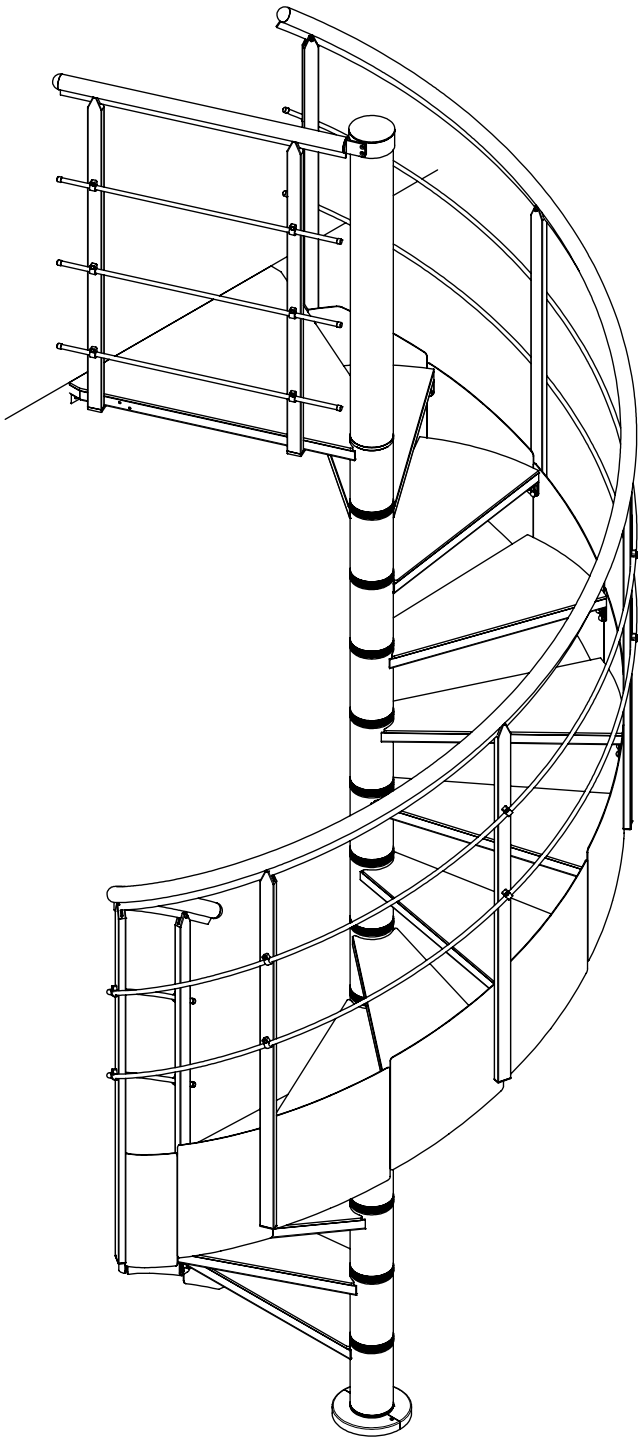


	A mm	B mm
12	88	-18
13	154	289
14	352	531



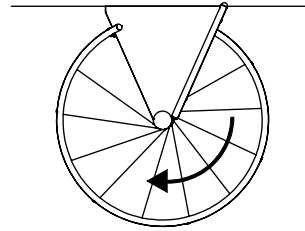
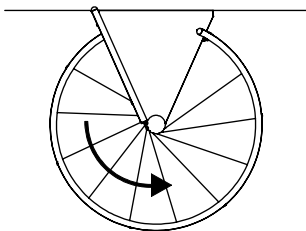
L

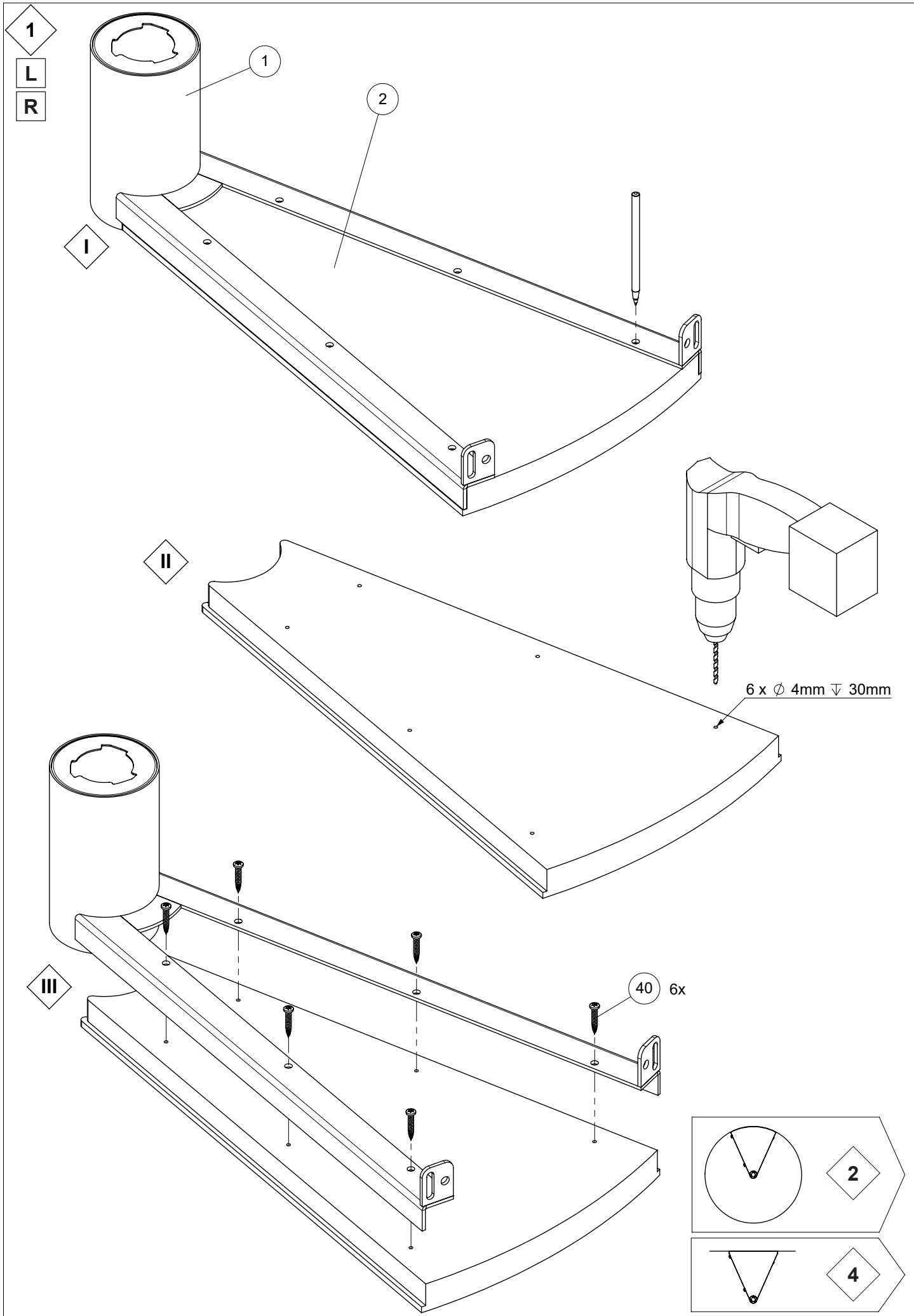
R



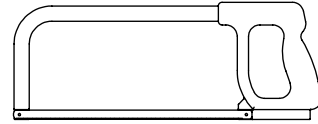
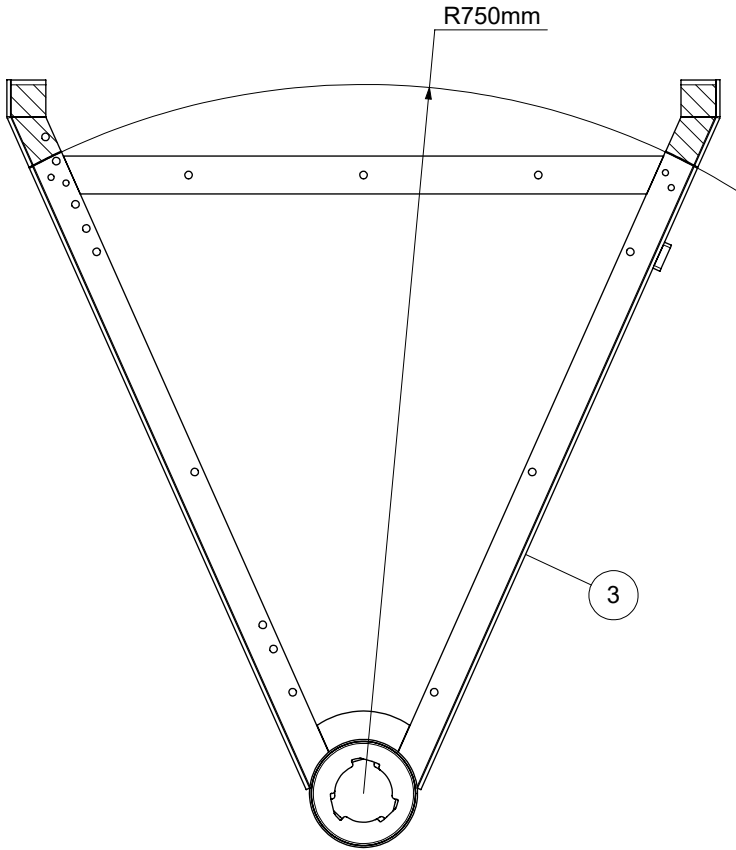
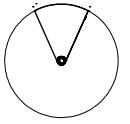
Left

Right

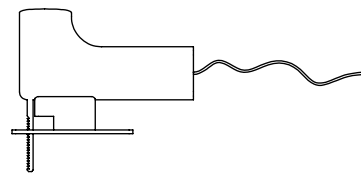
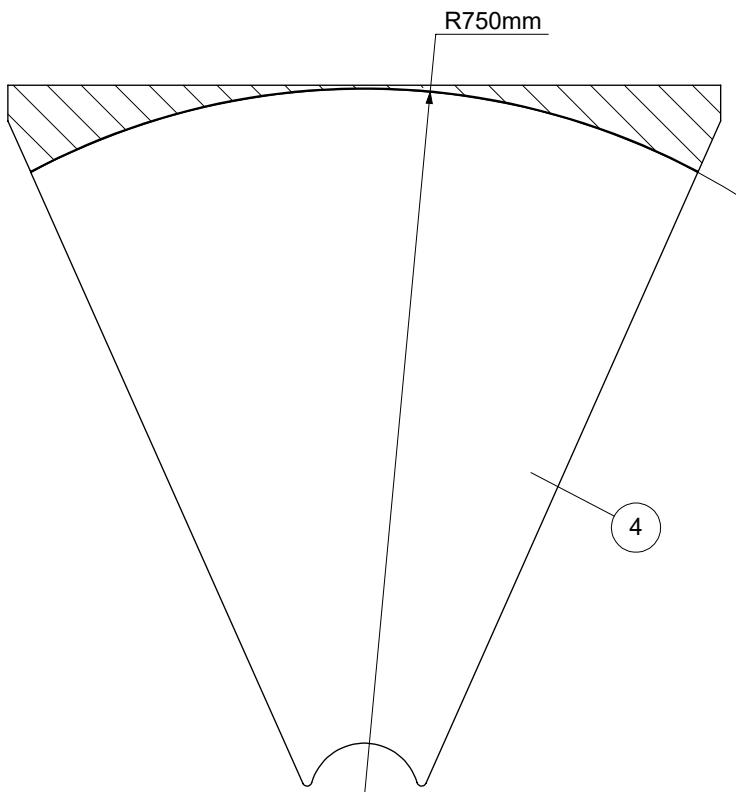
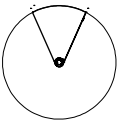




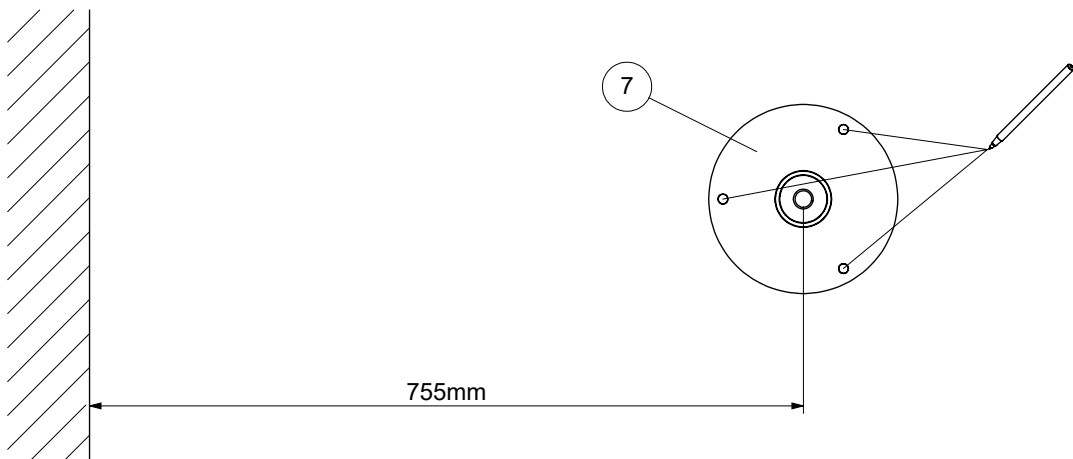
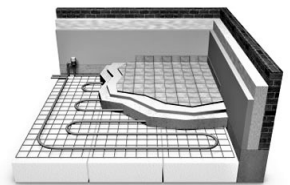
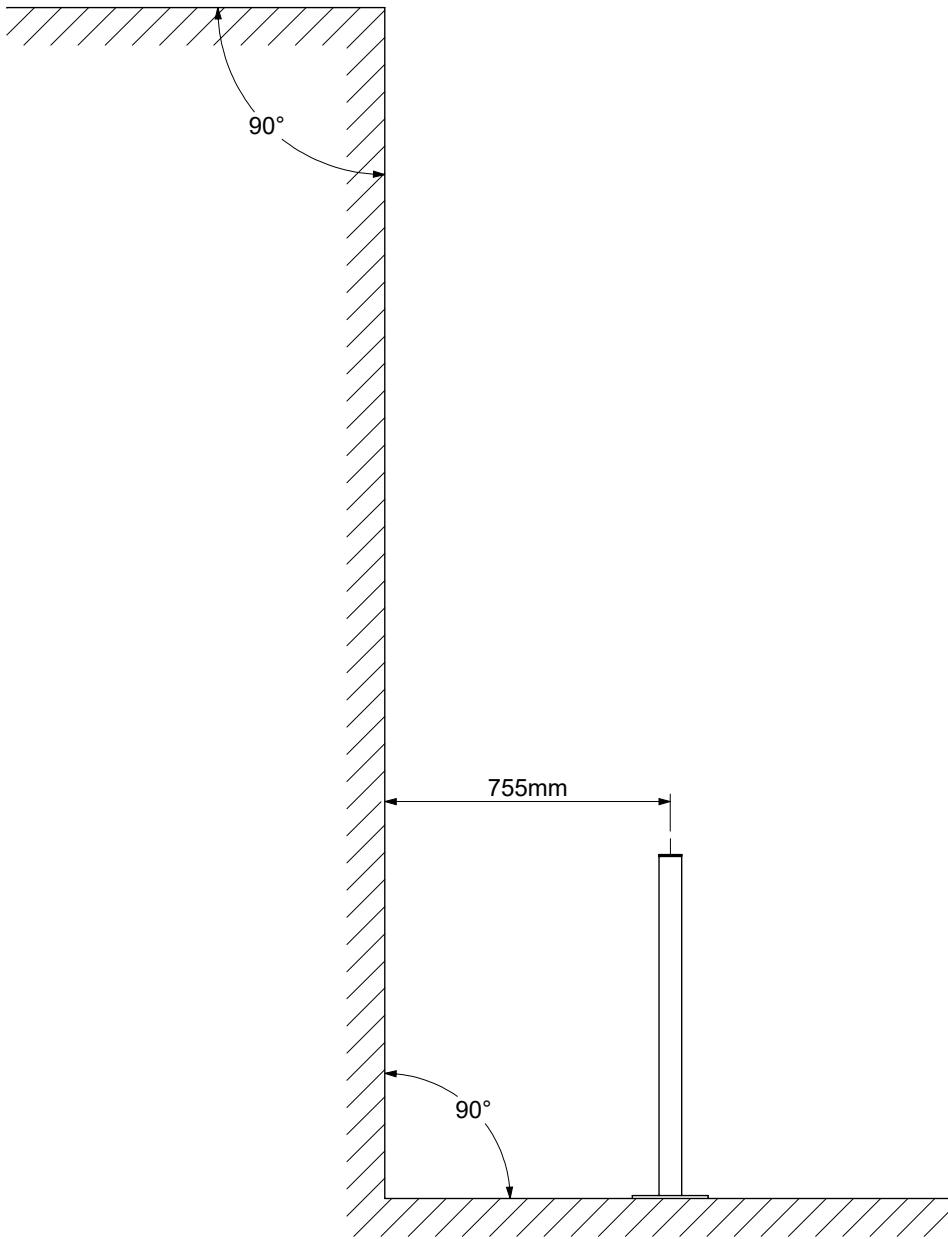
2



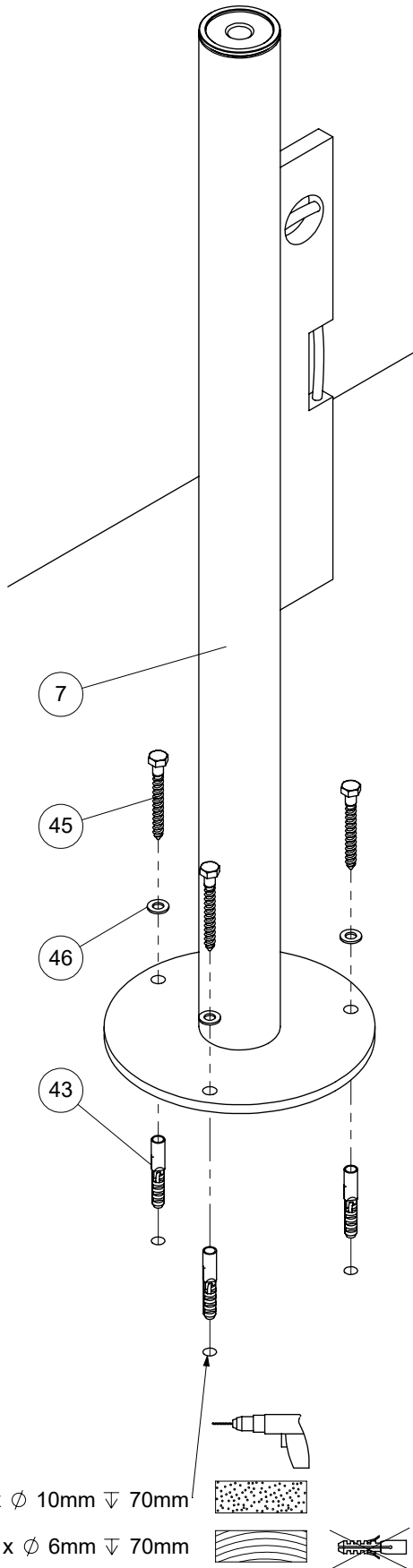
3



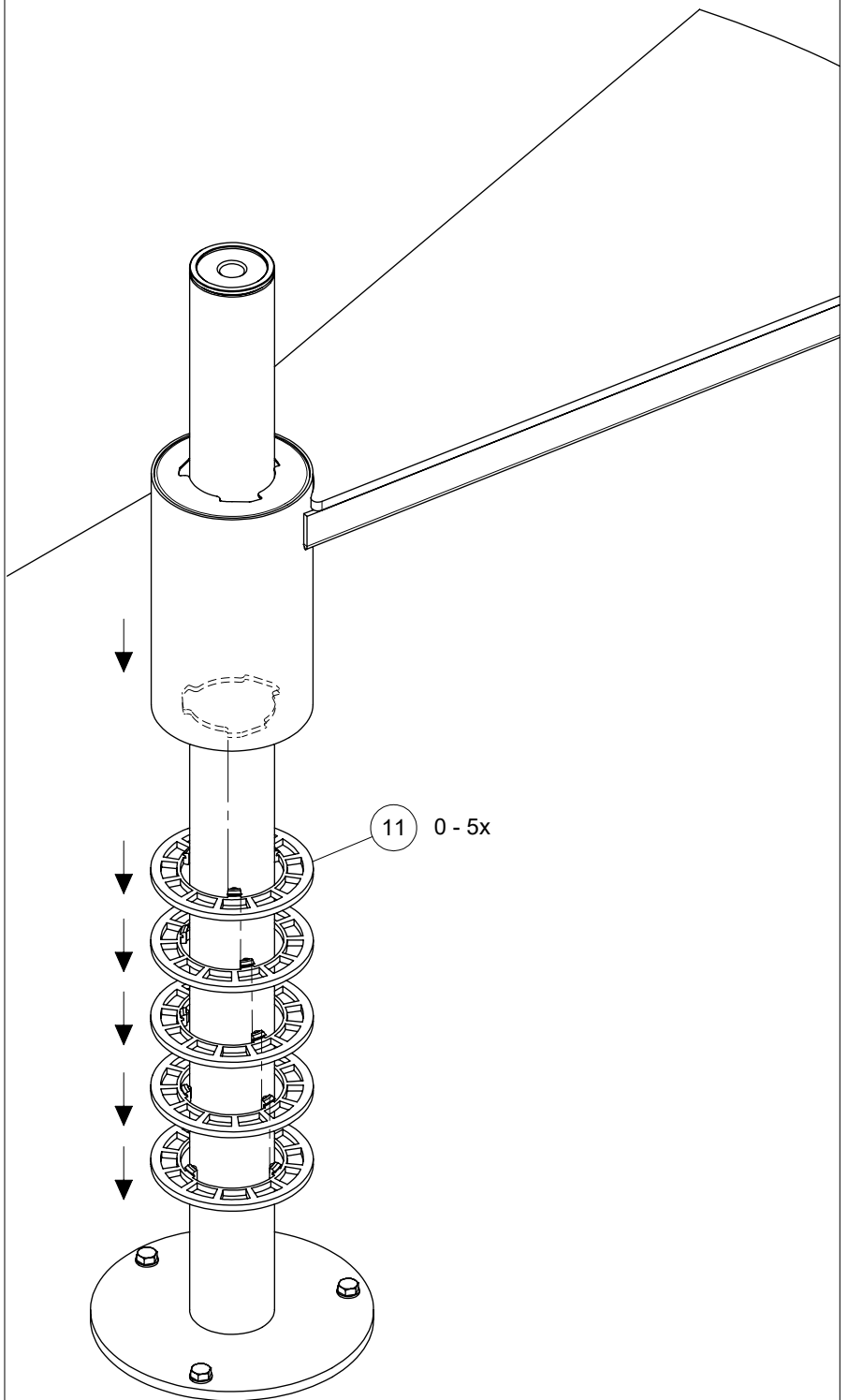
4



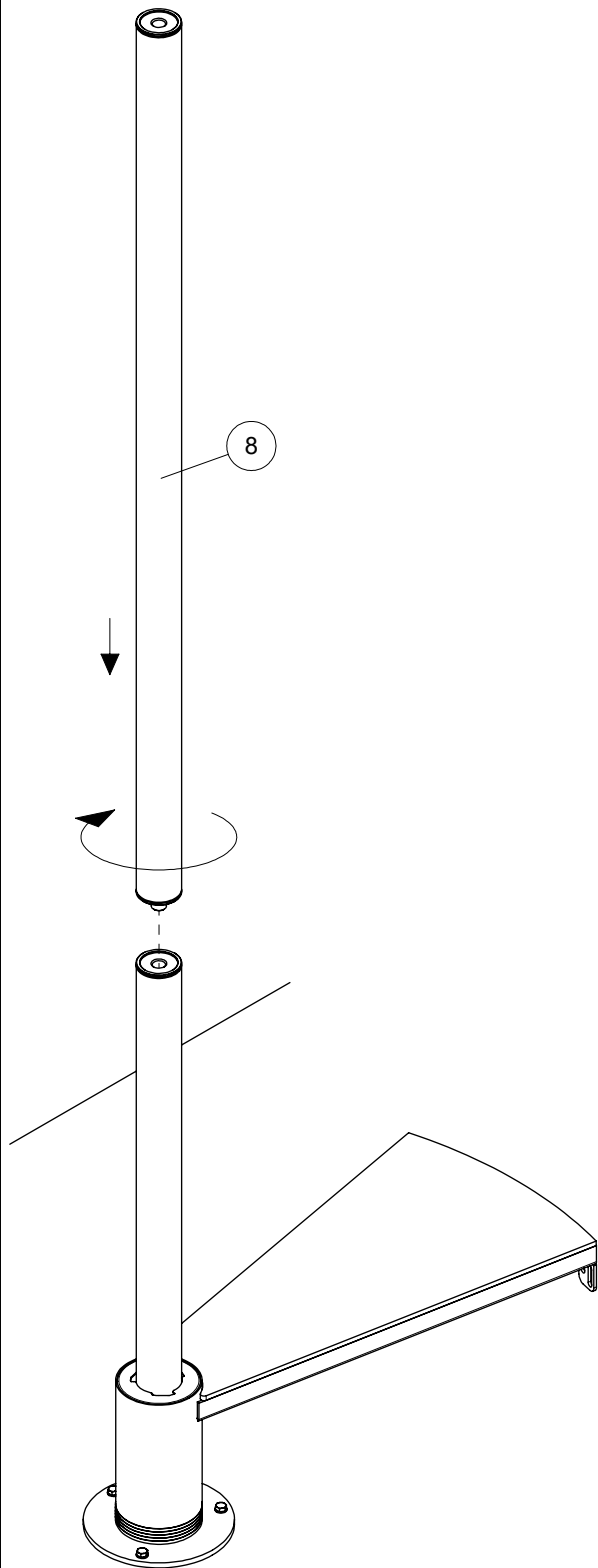
5



6

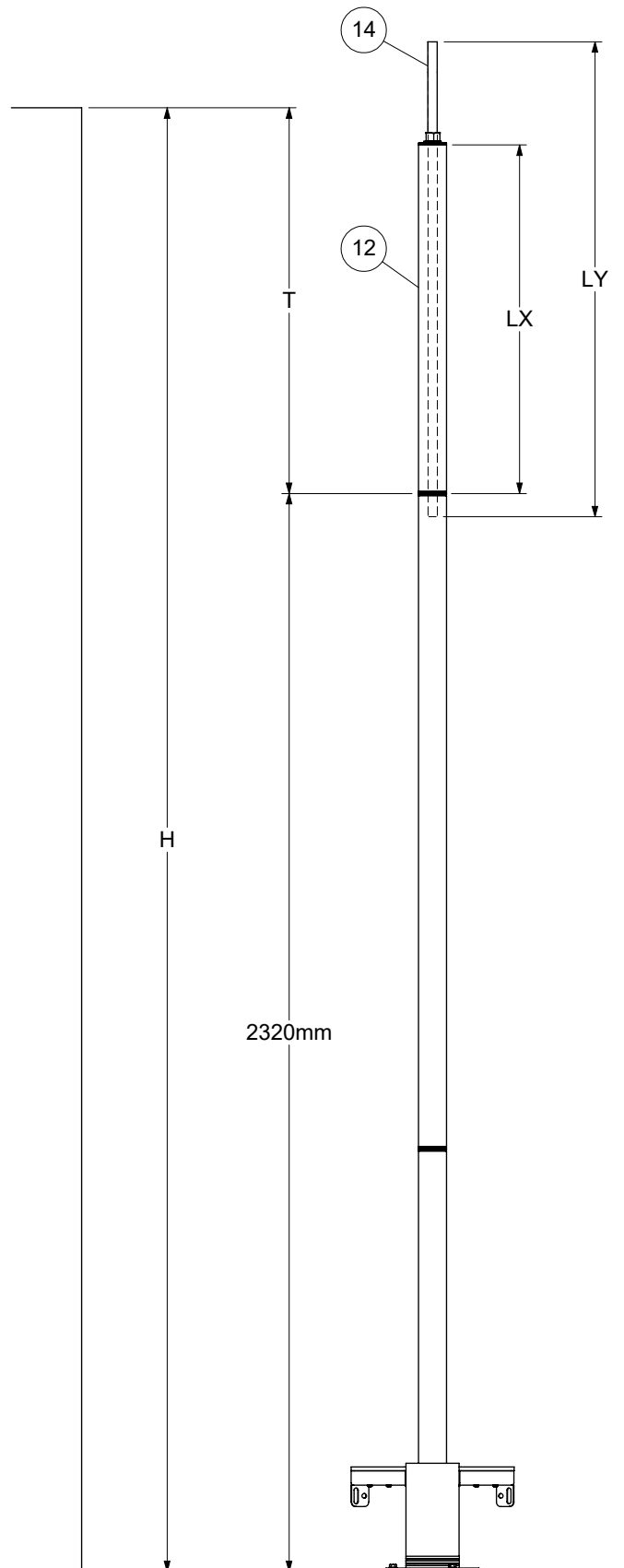


7

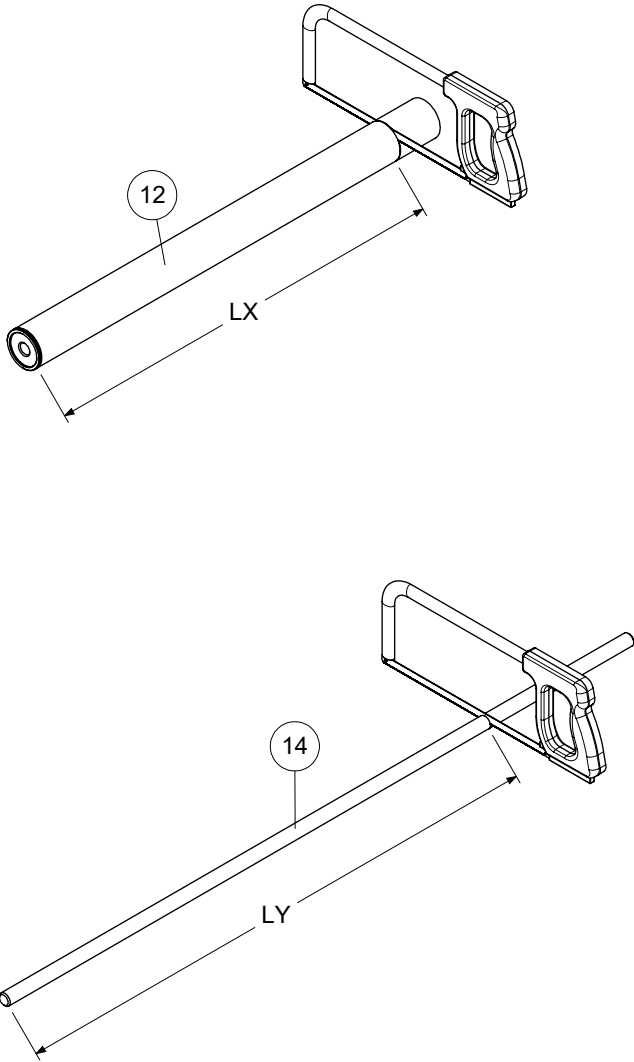


8

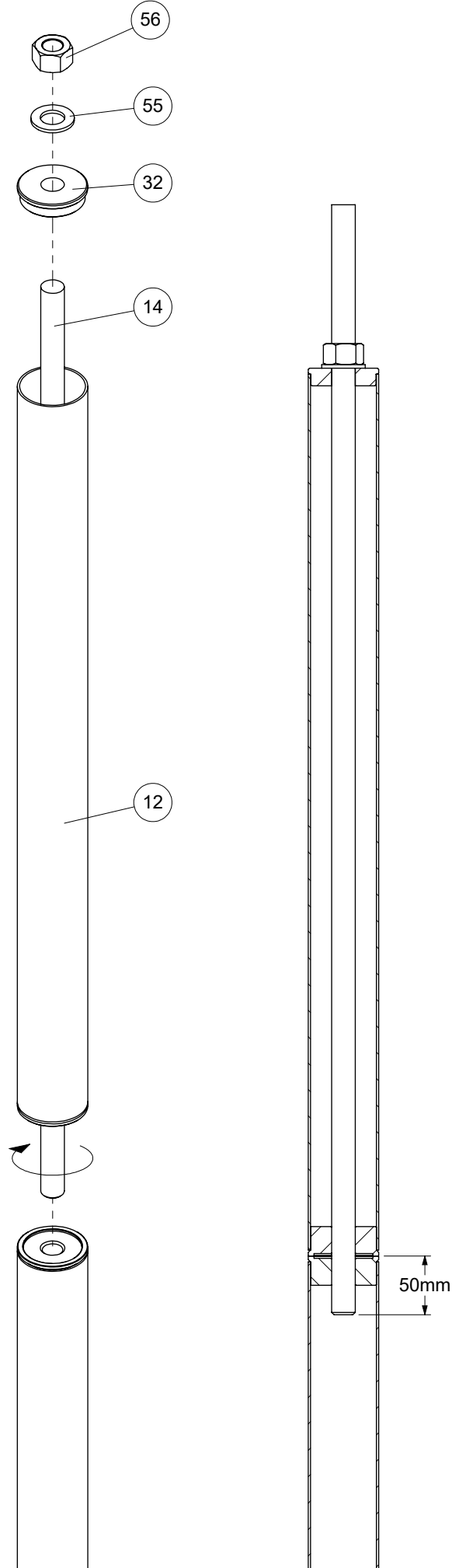
$$T = H - 2320 \text{ mm}$$
$$LX = T - 80 \text{ mm}$$
$$LY = T + 210 \text{ mm}$$



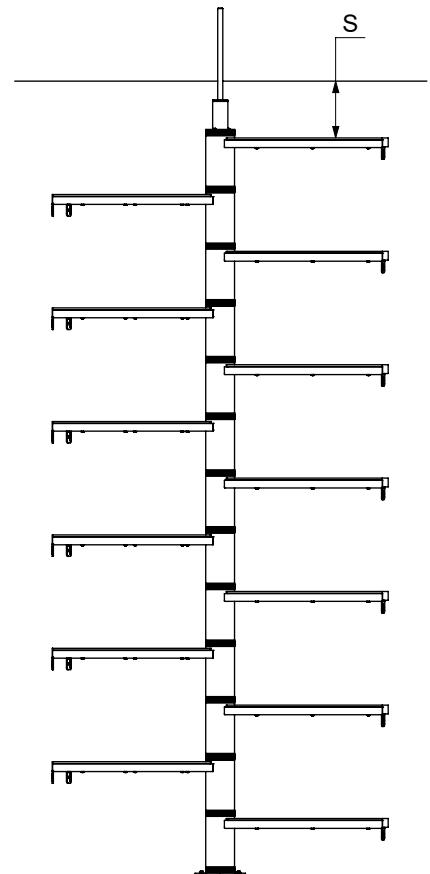
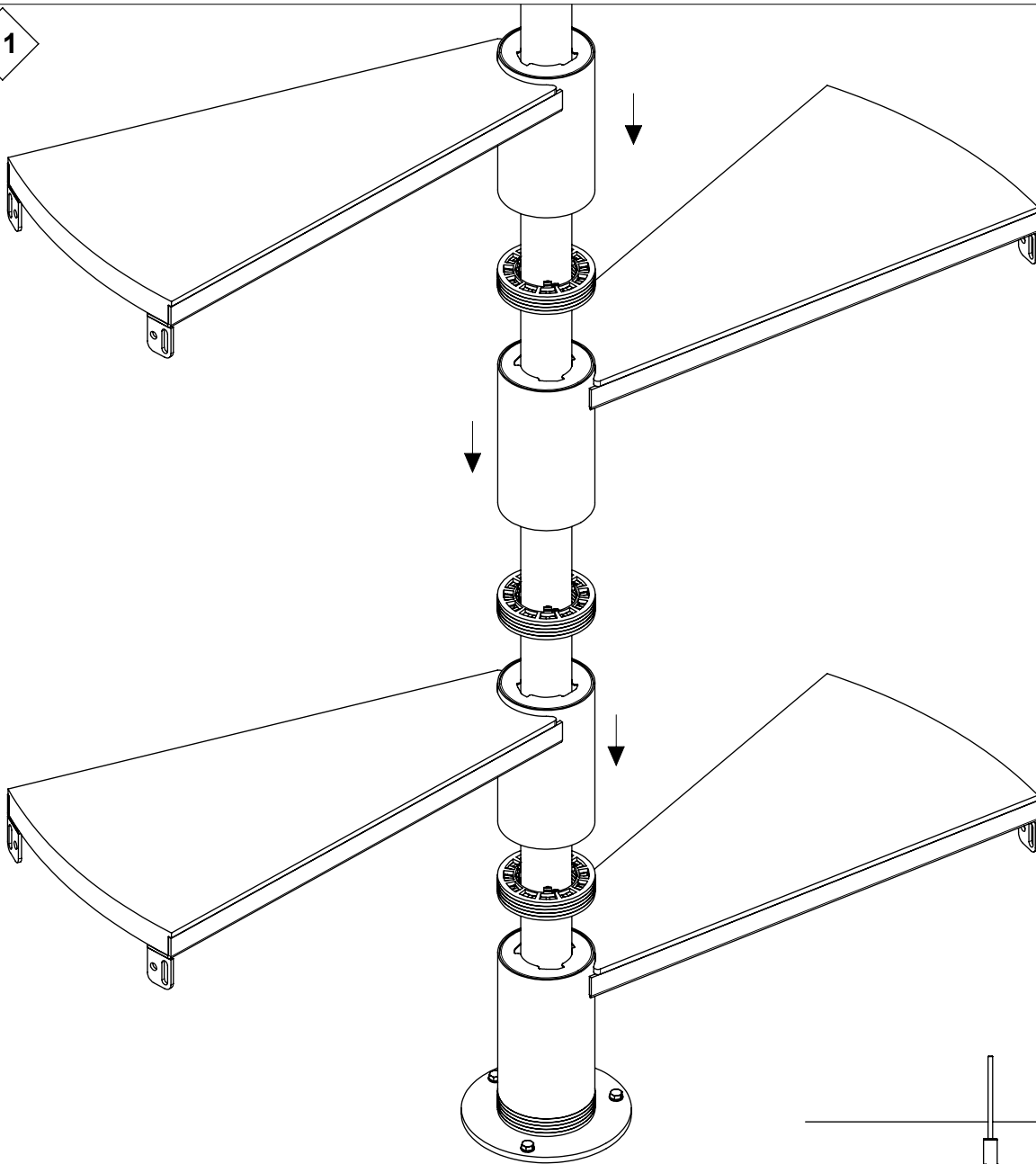
9



10

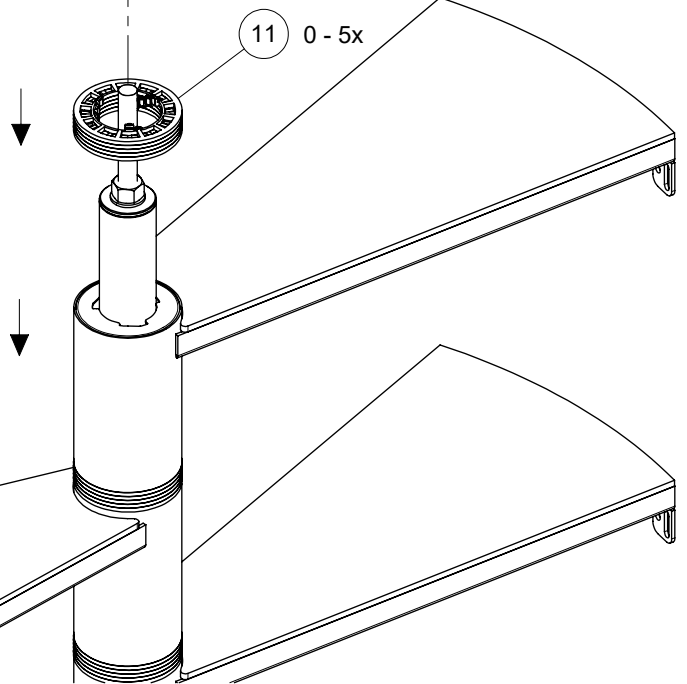
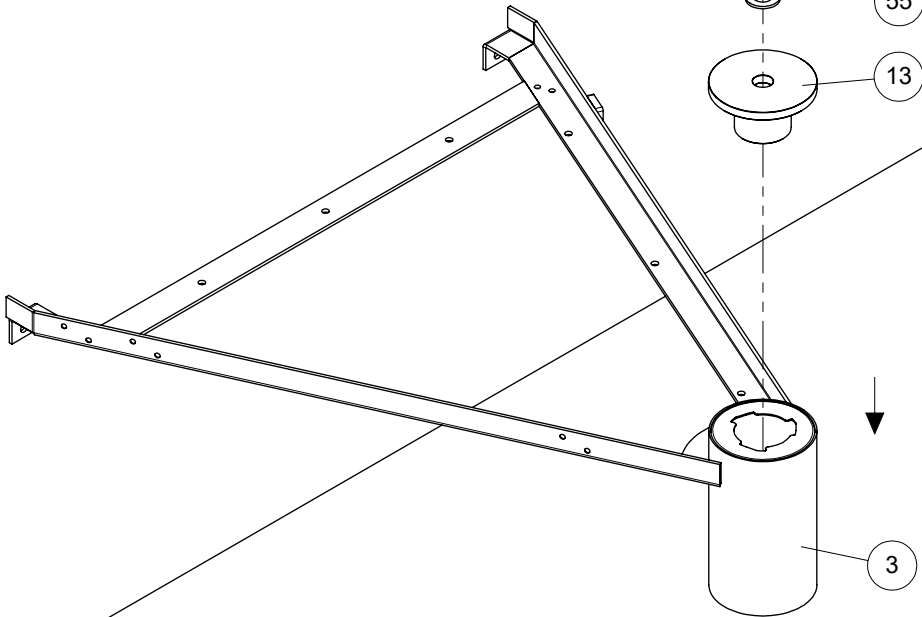
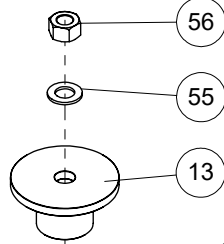


11

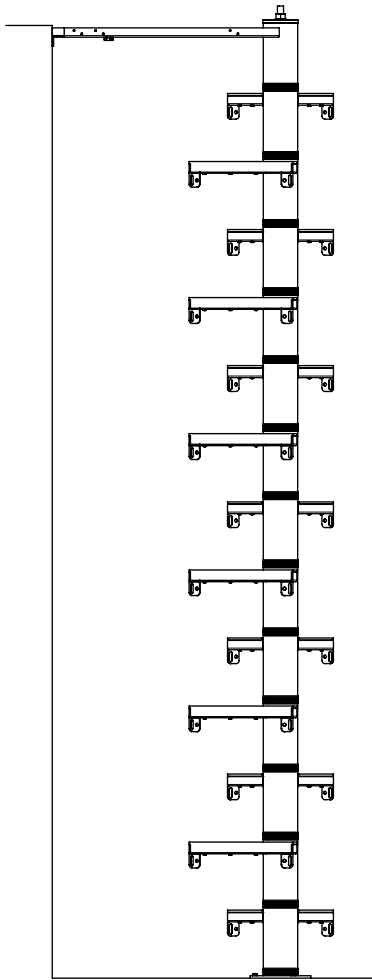
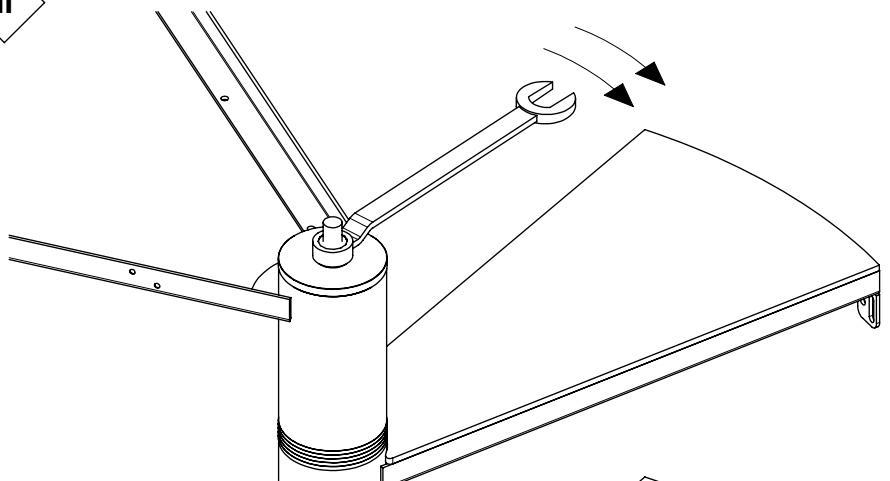


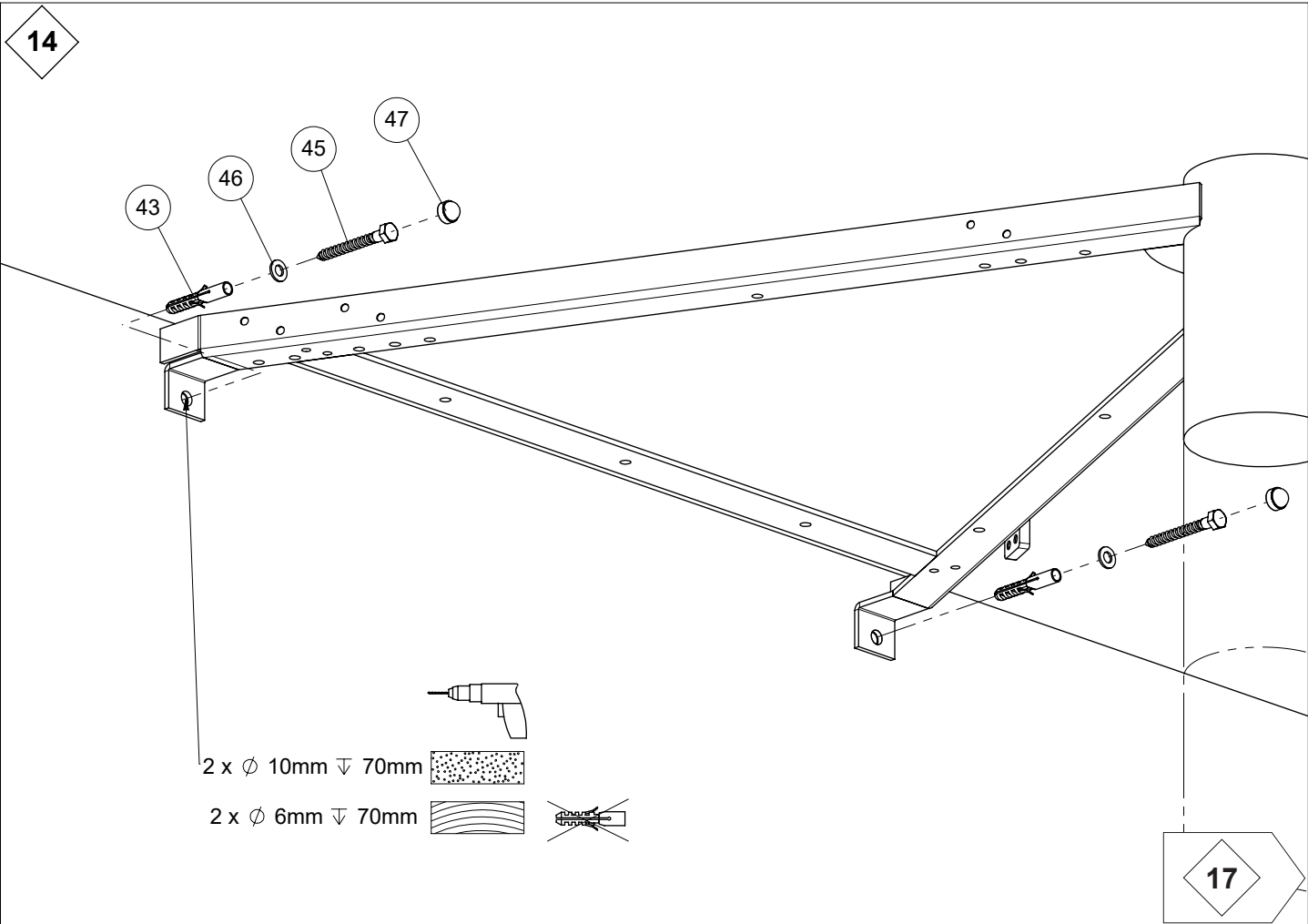
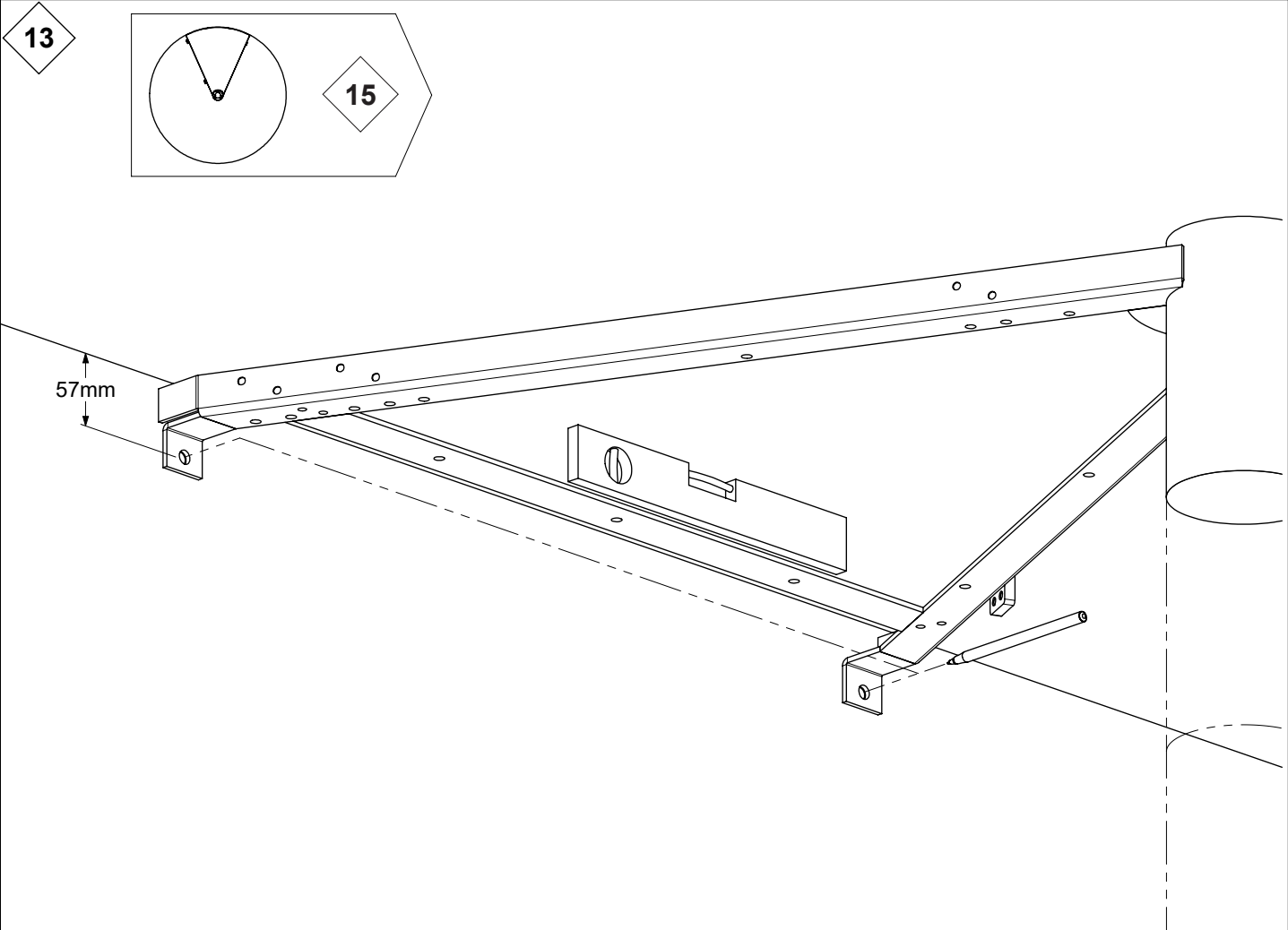
12

I

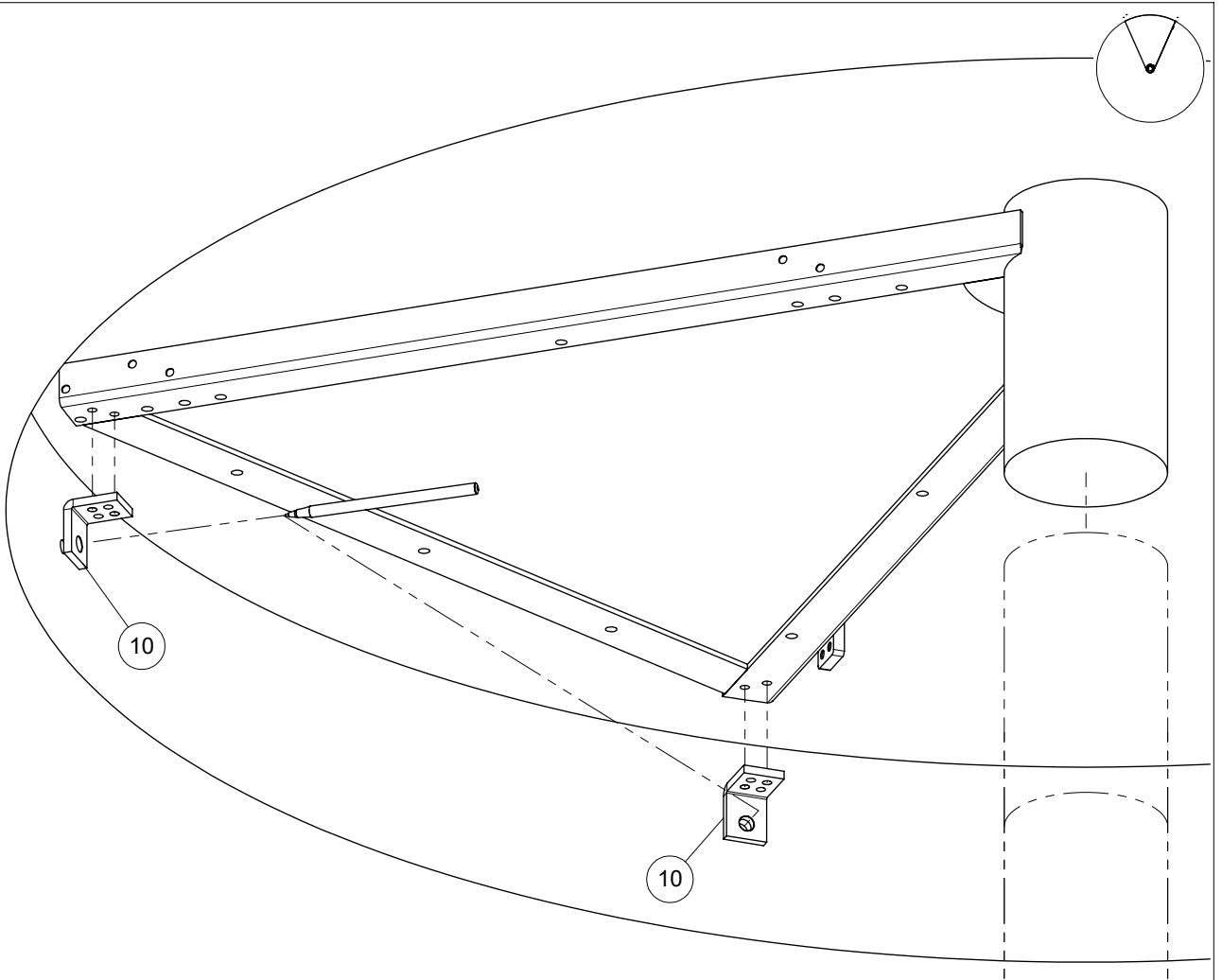


II

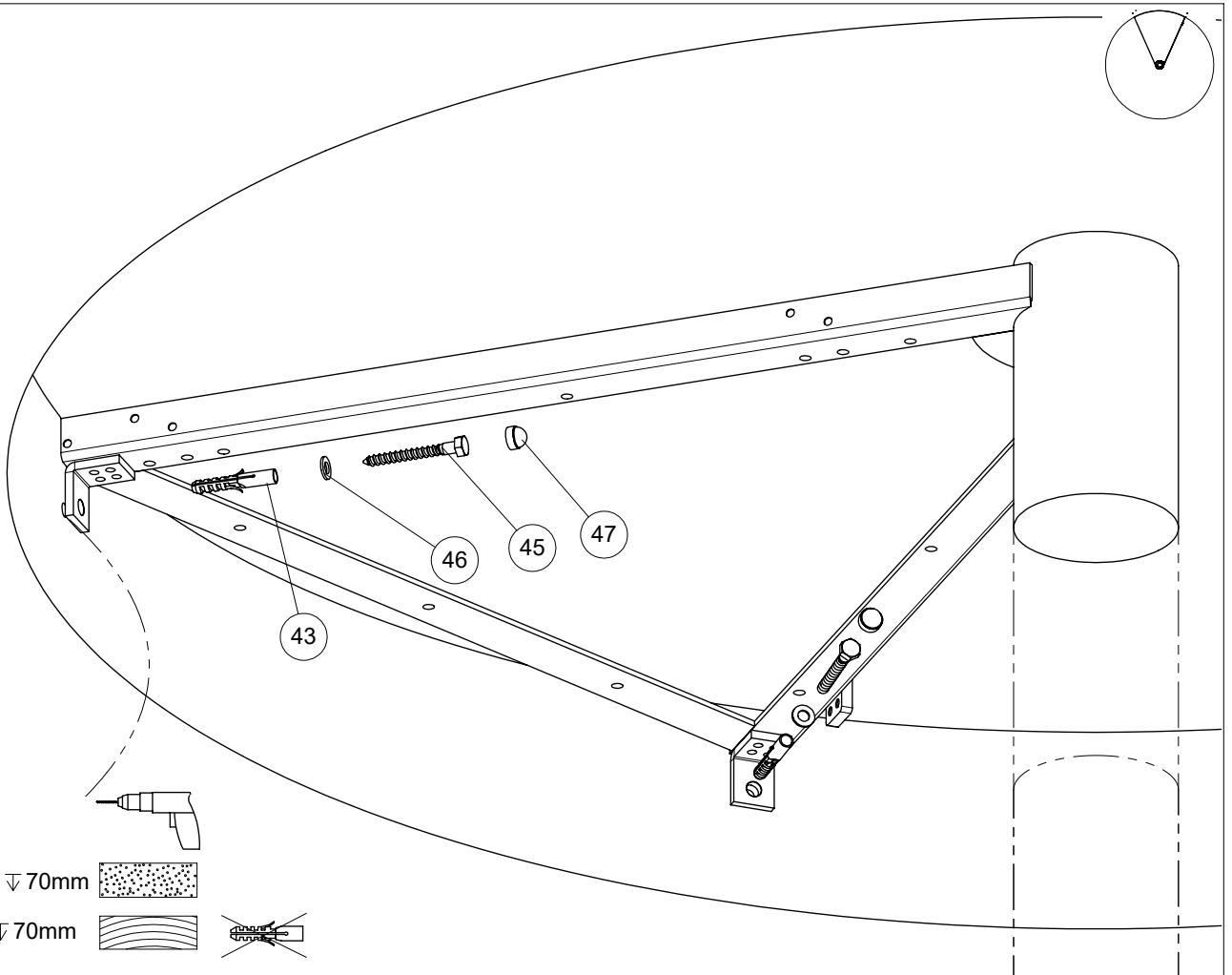


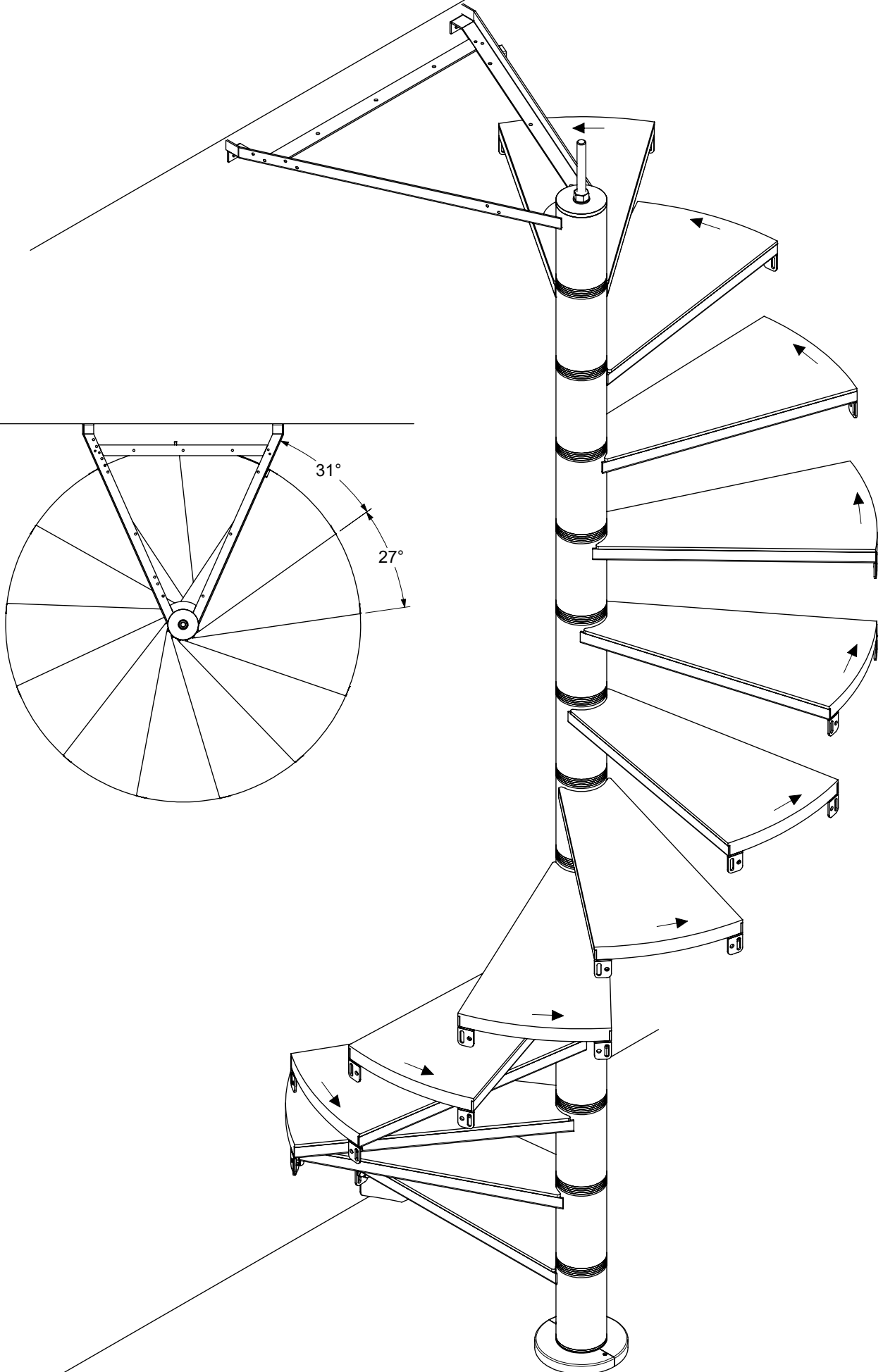


15

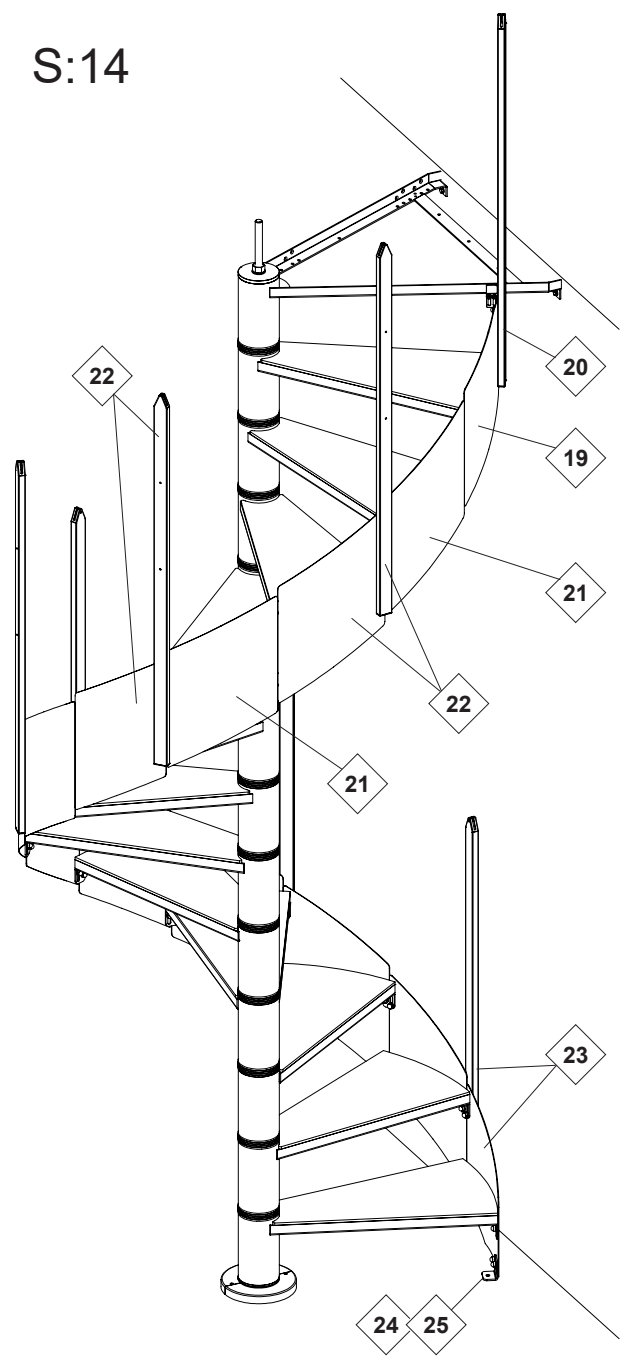


16

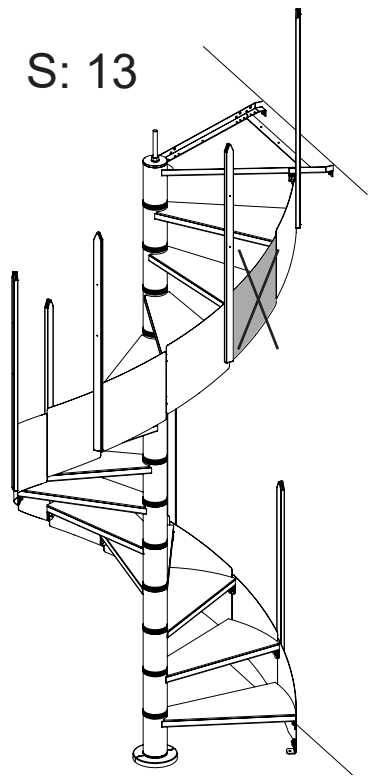




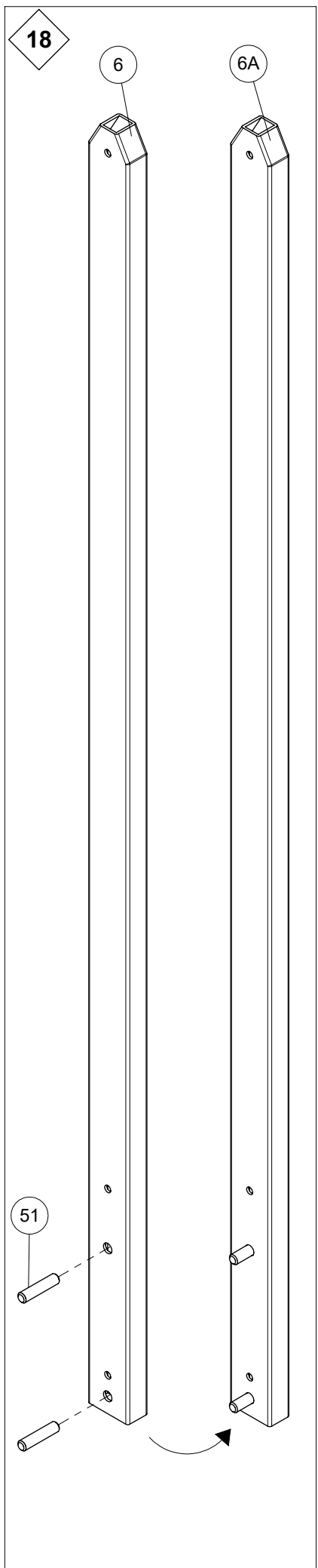
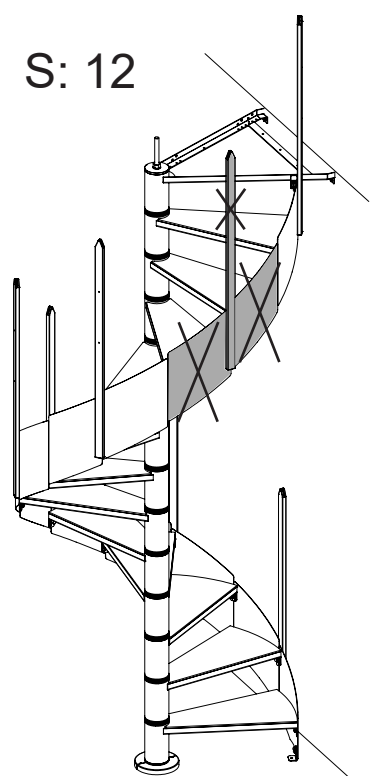
S:14



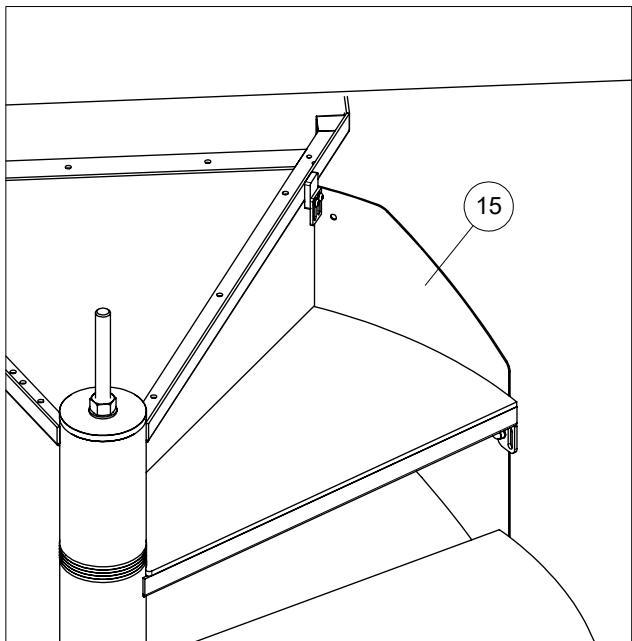
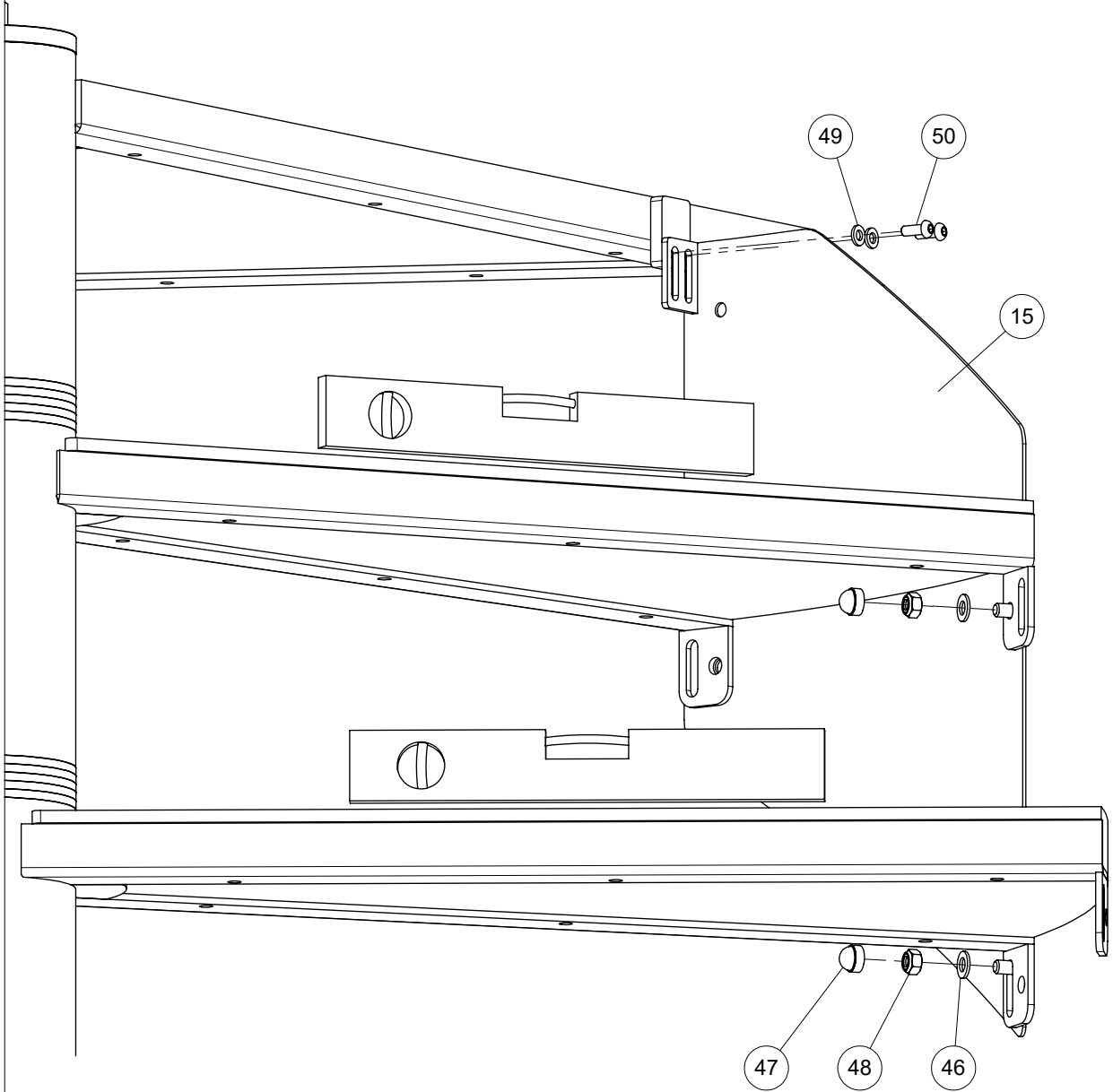
S: 13

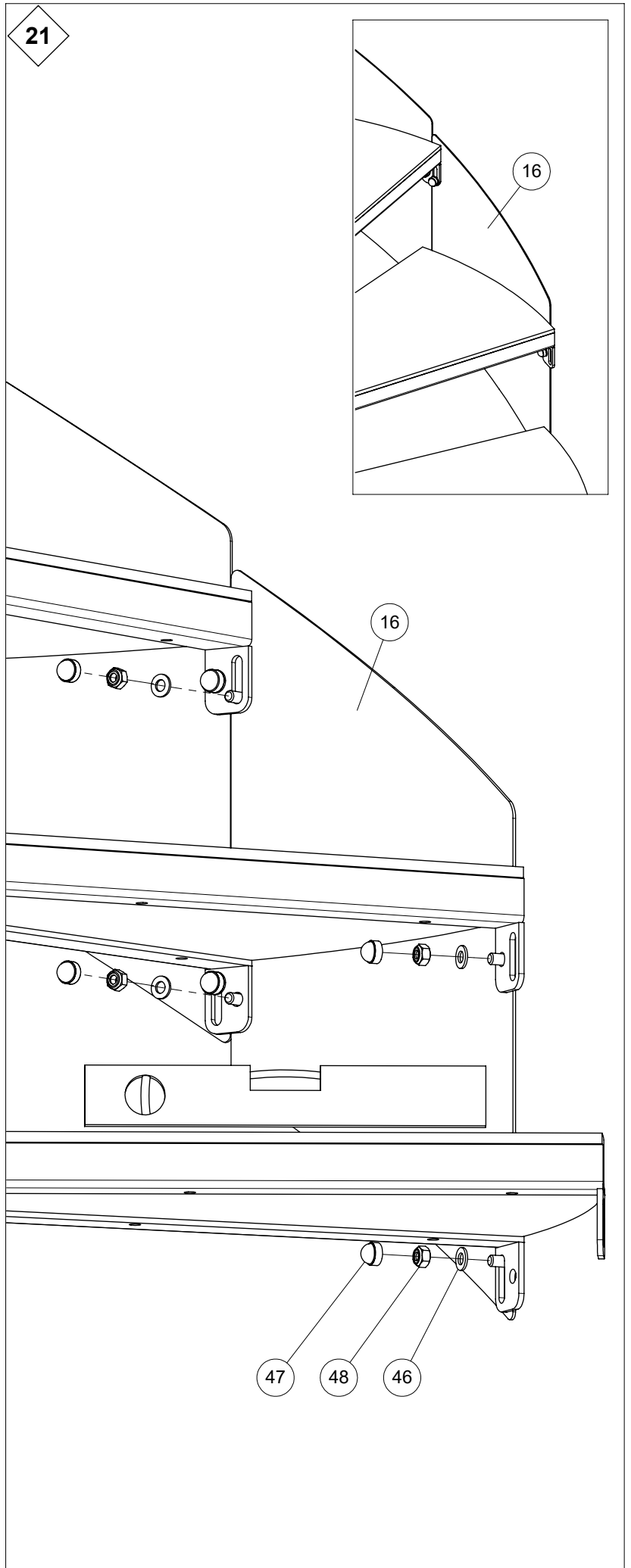
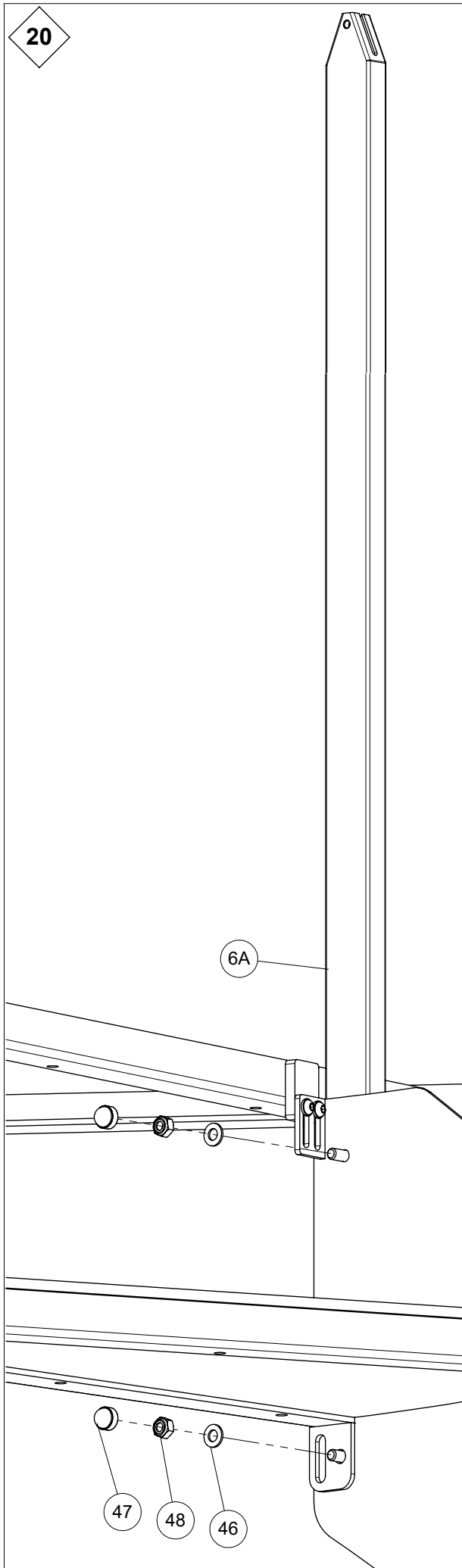


S: 12

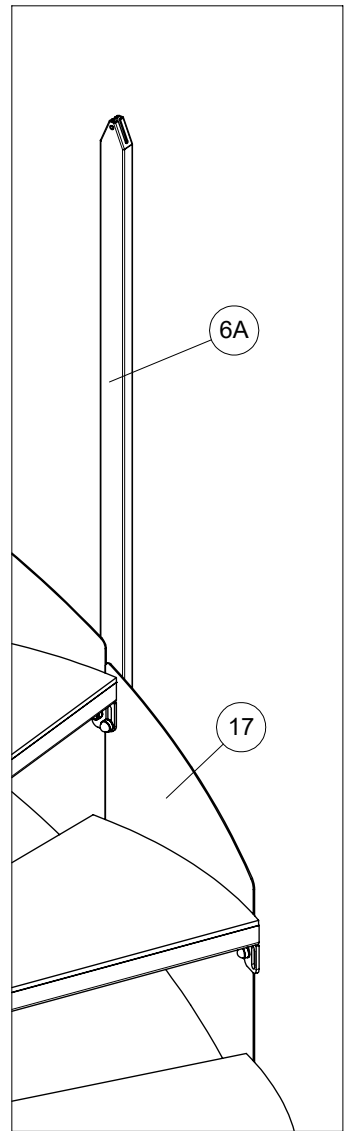
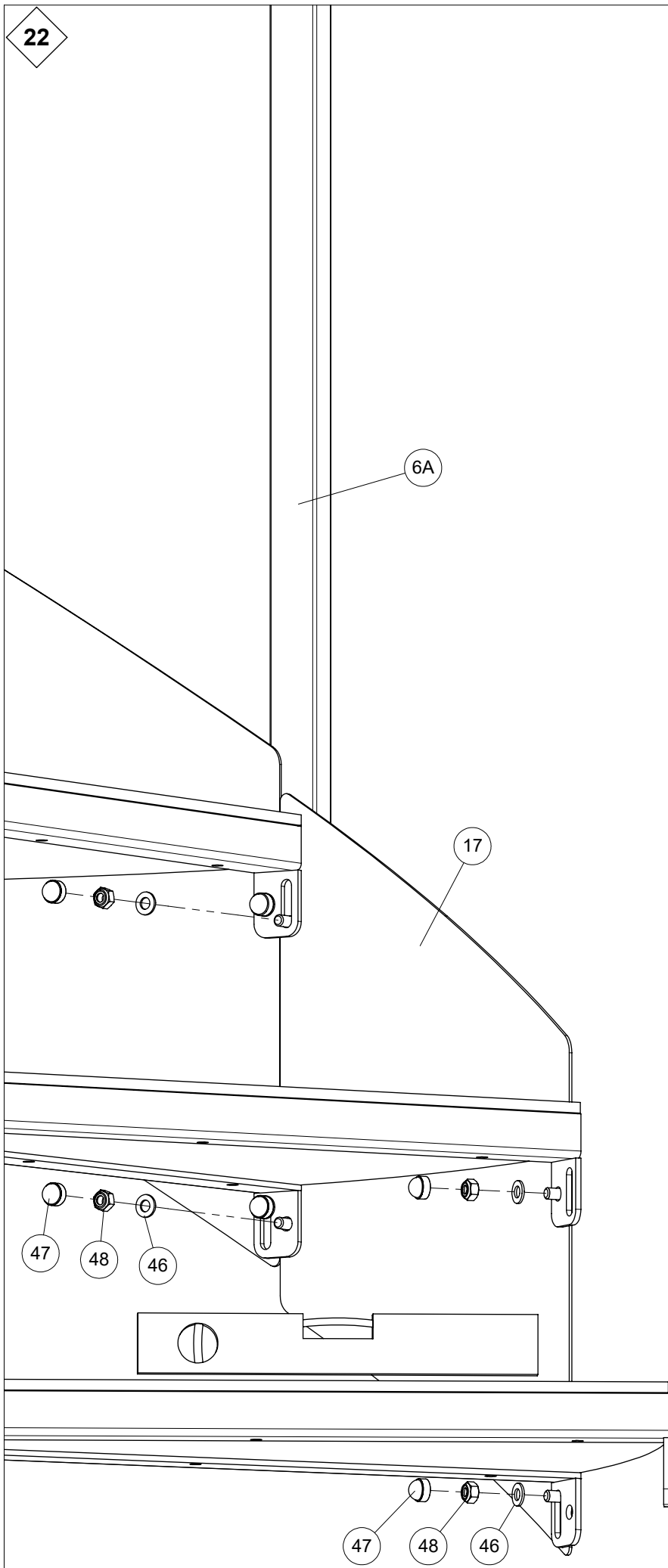


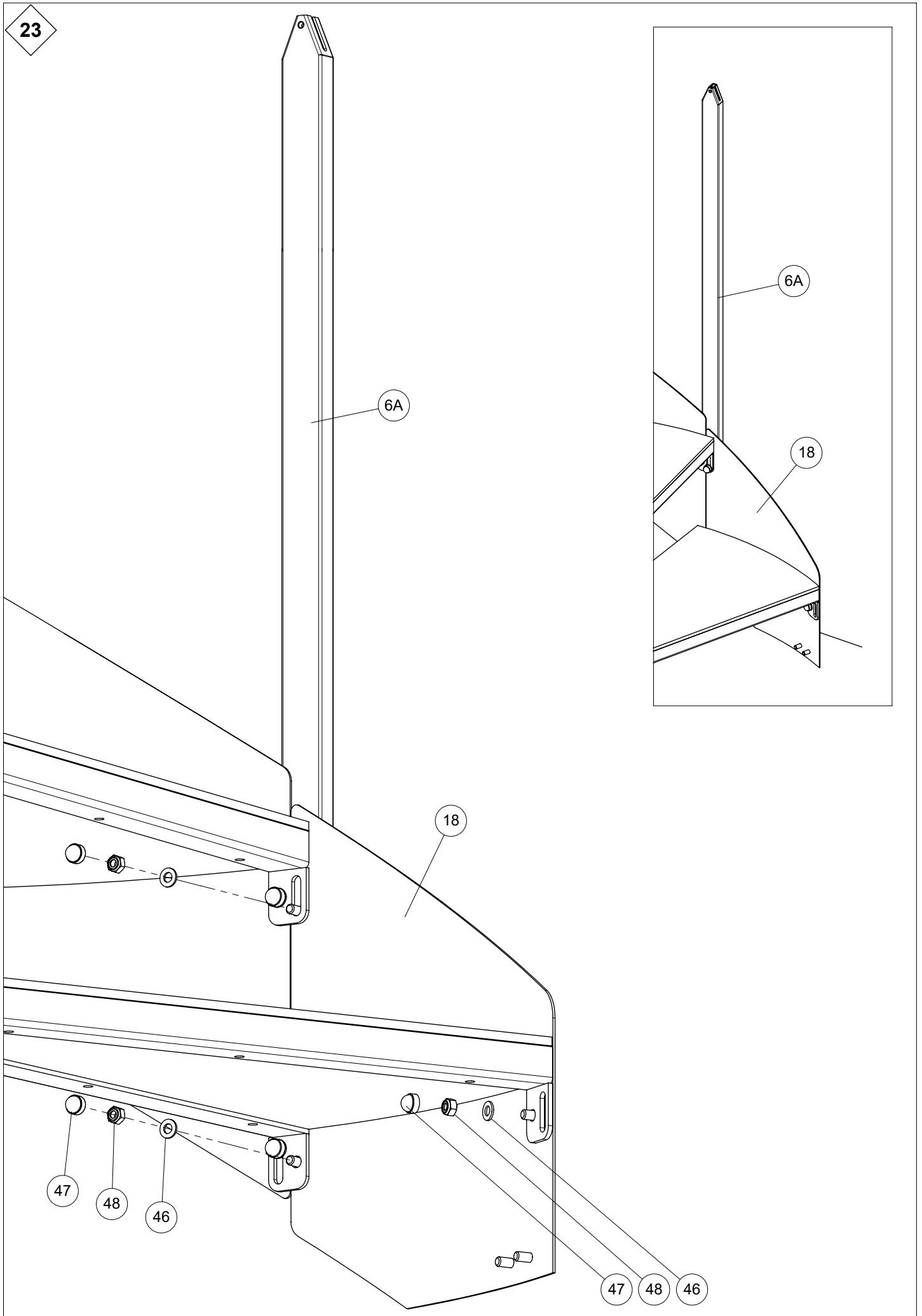
19

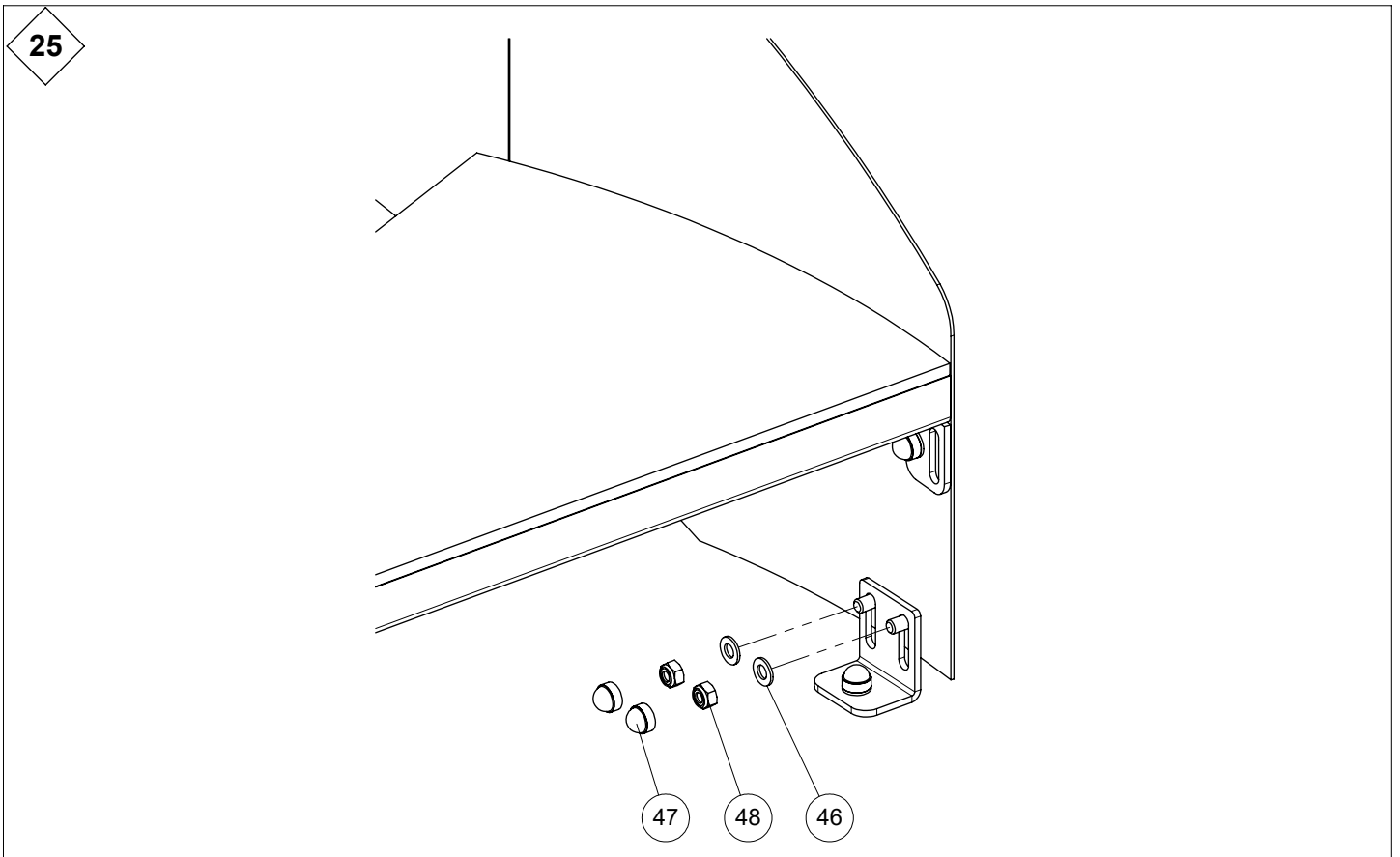
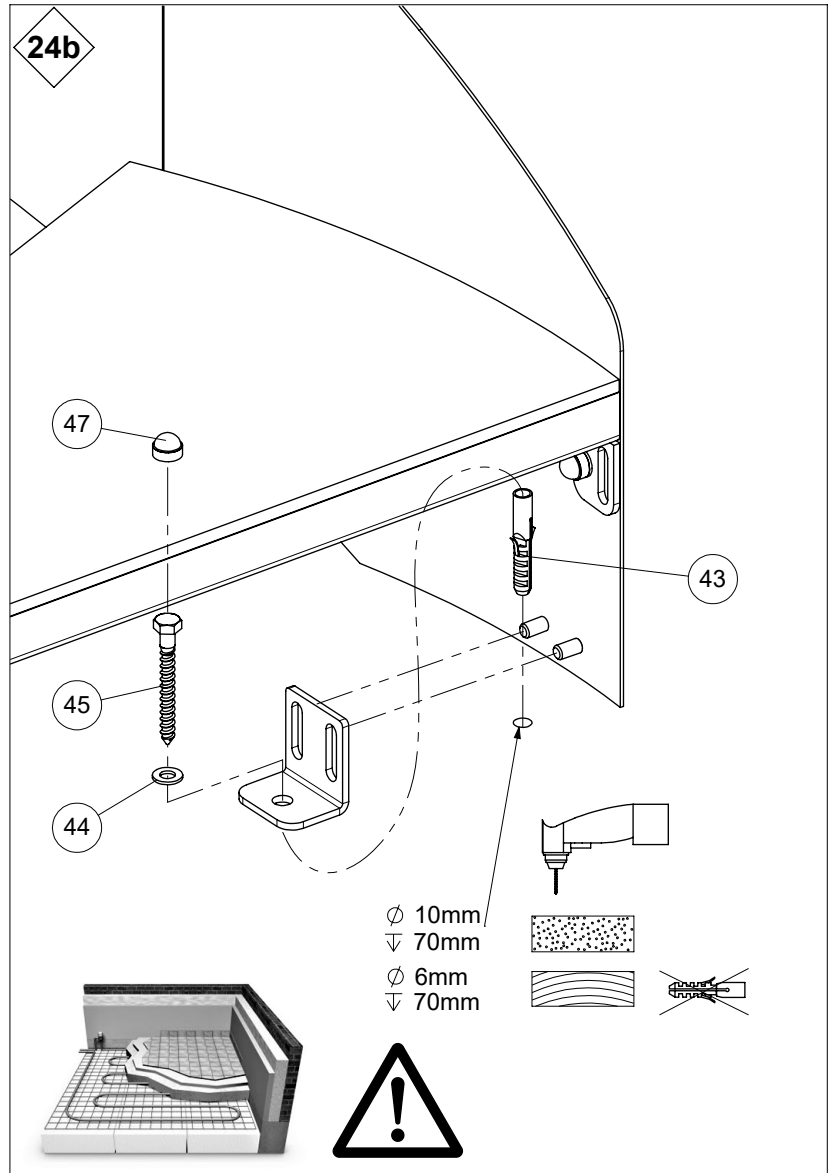
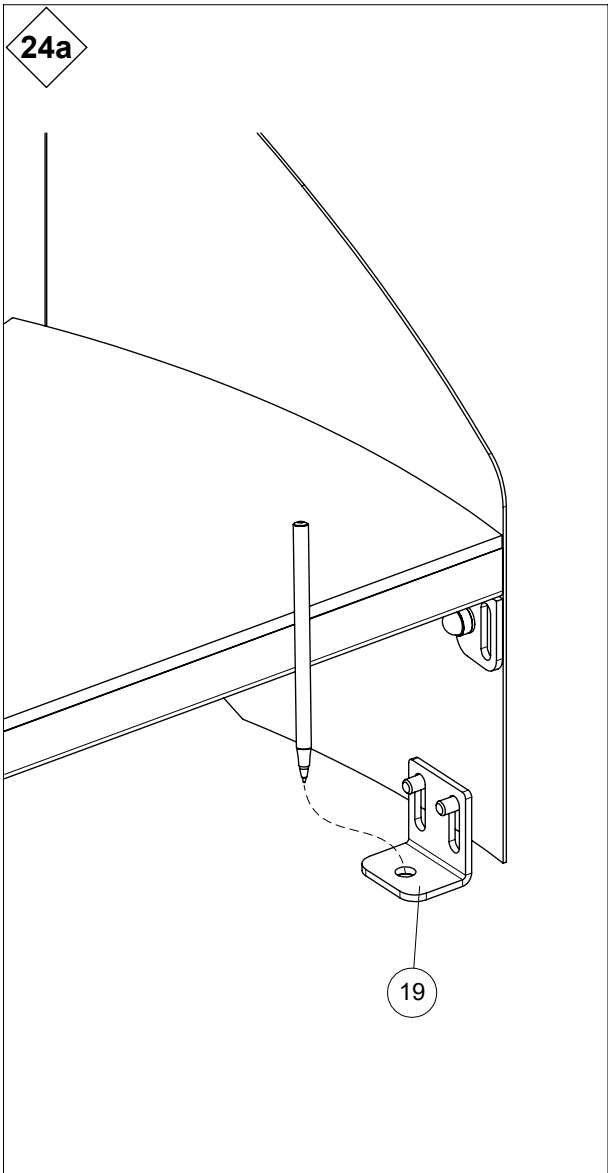


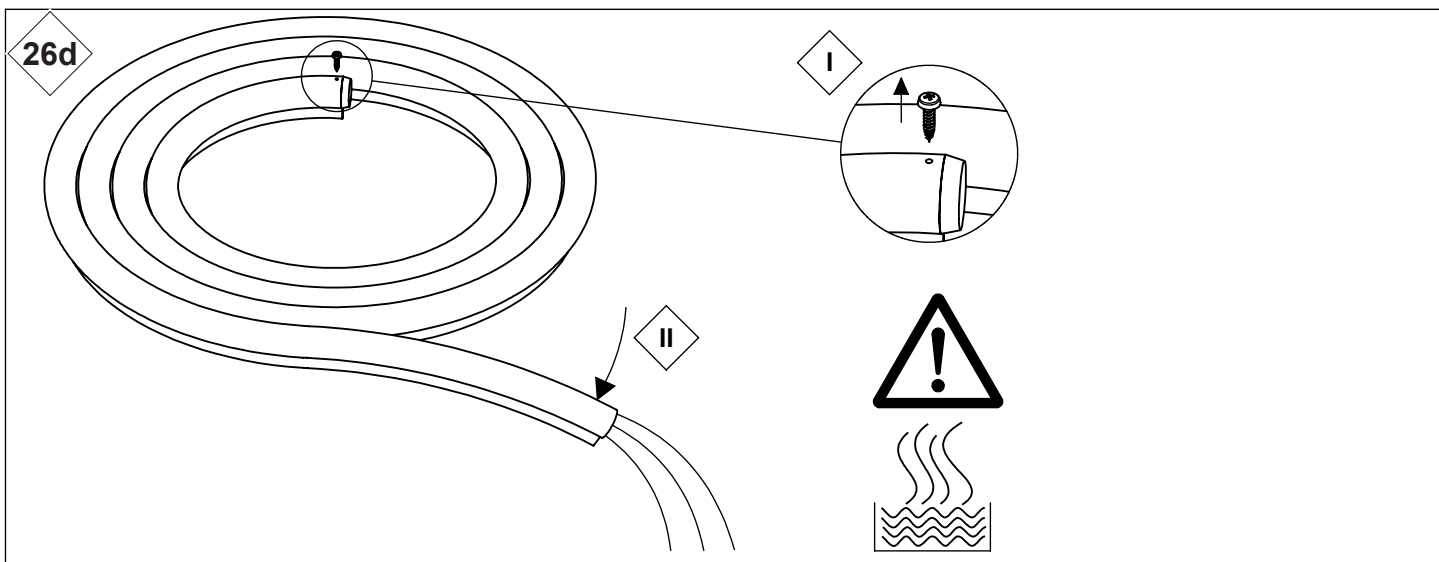
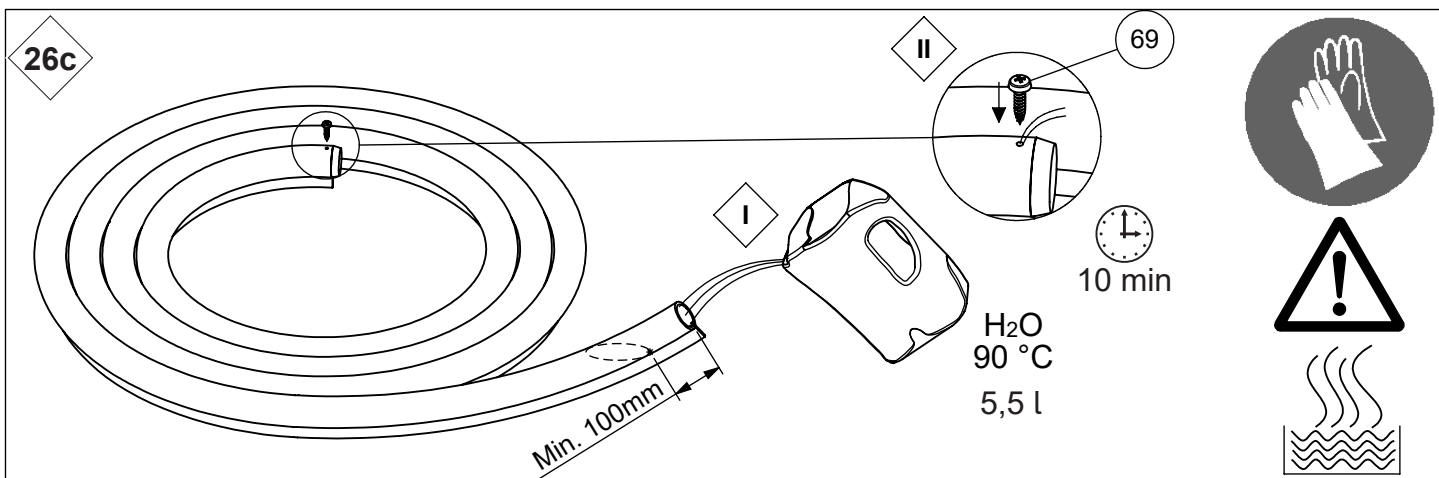
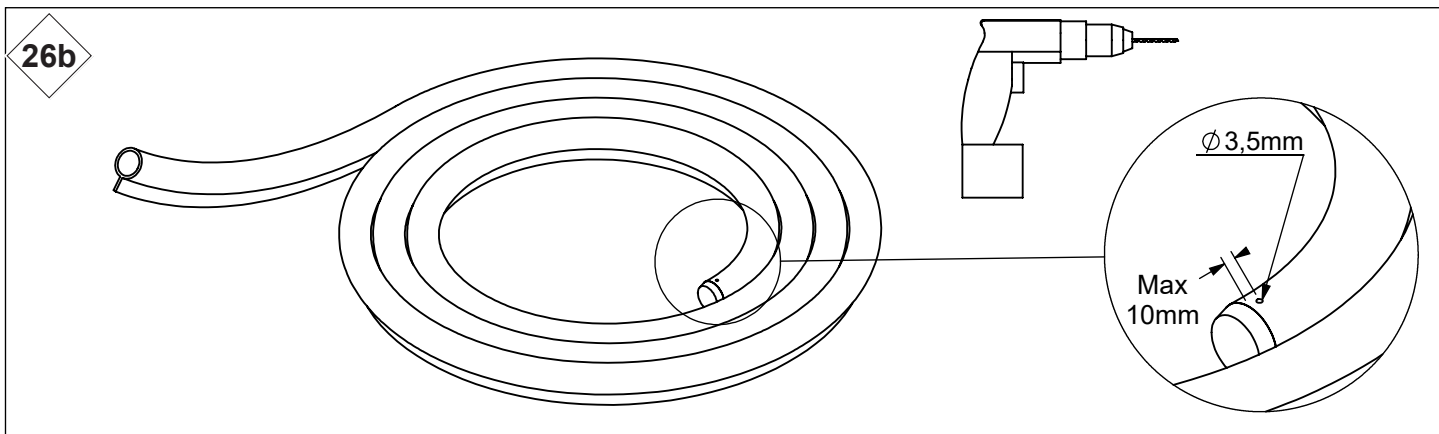
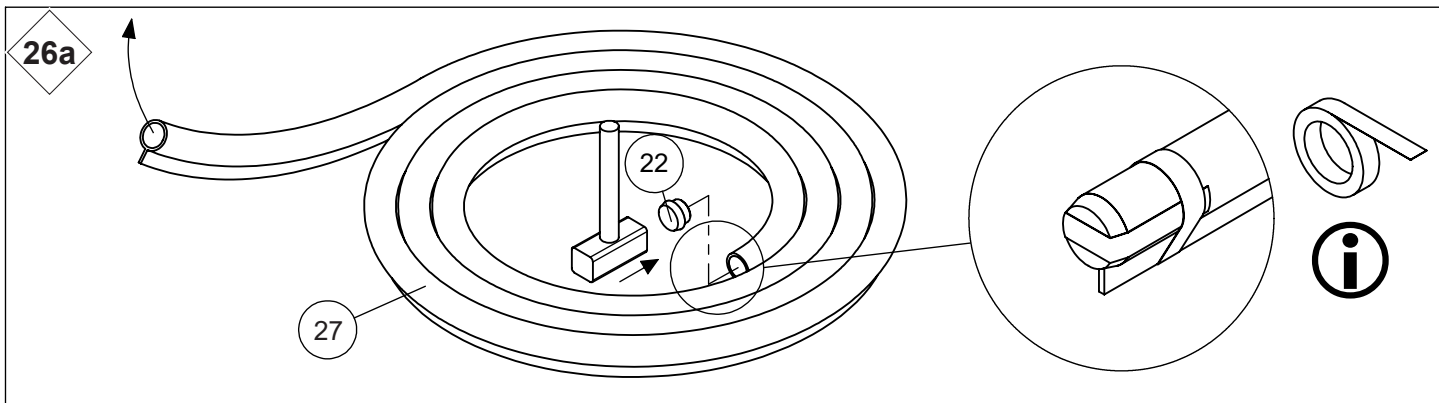
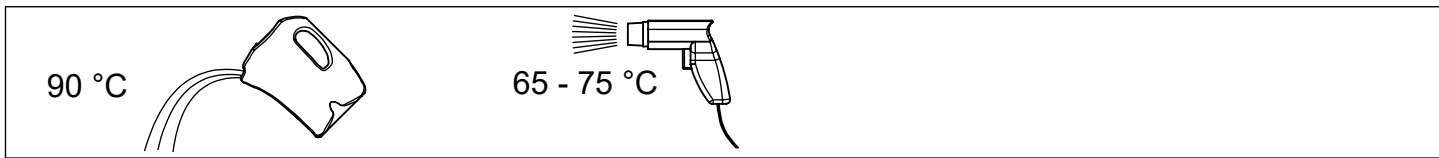


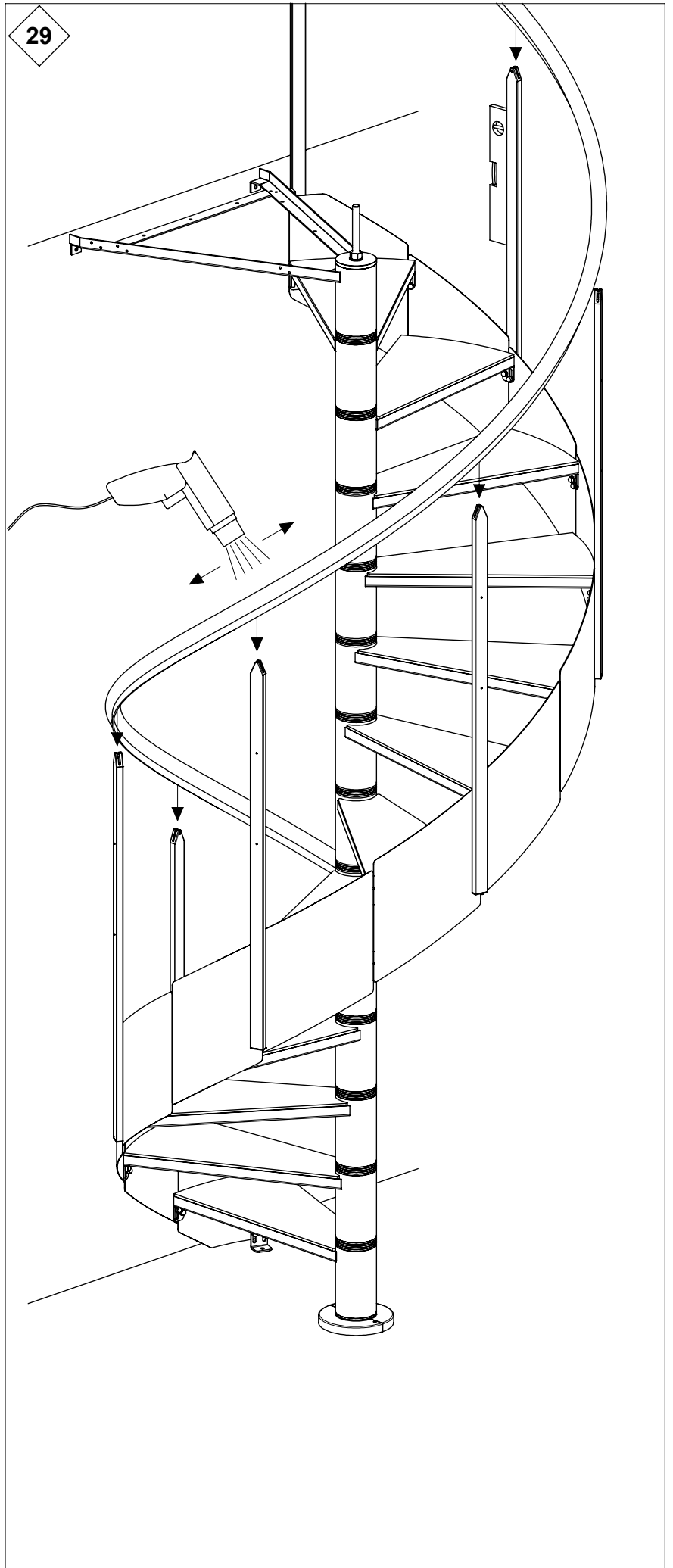
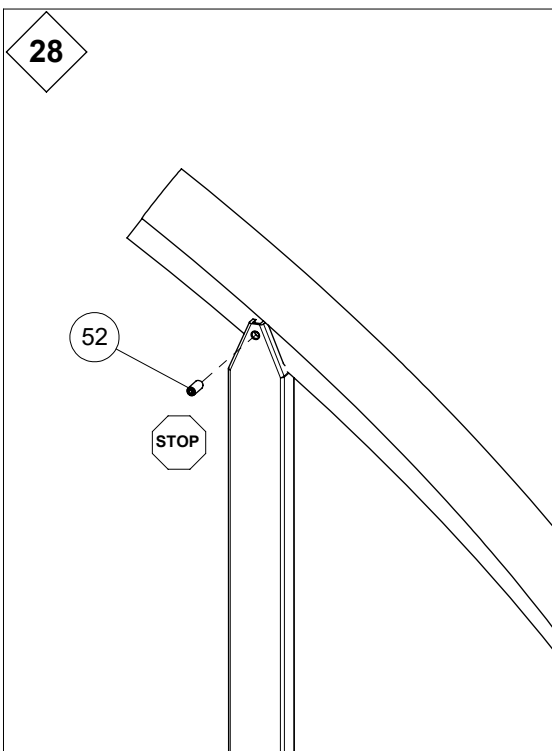
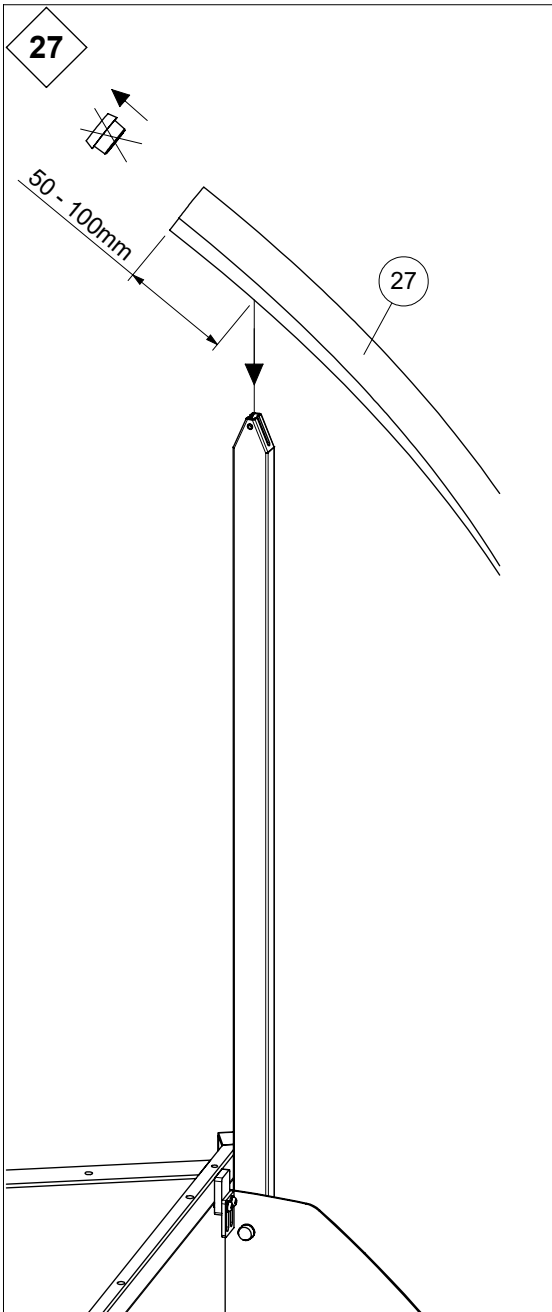
22

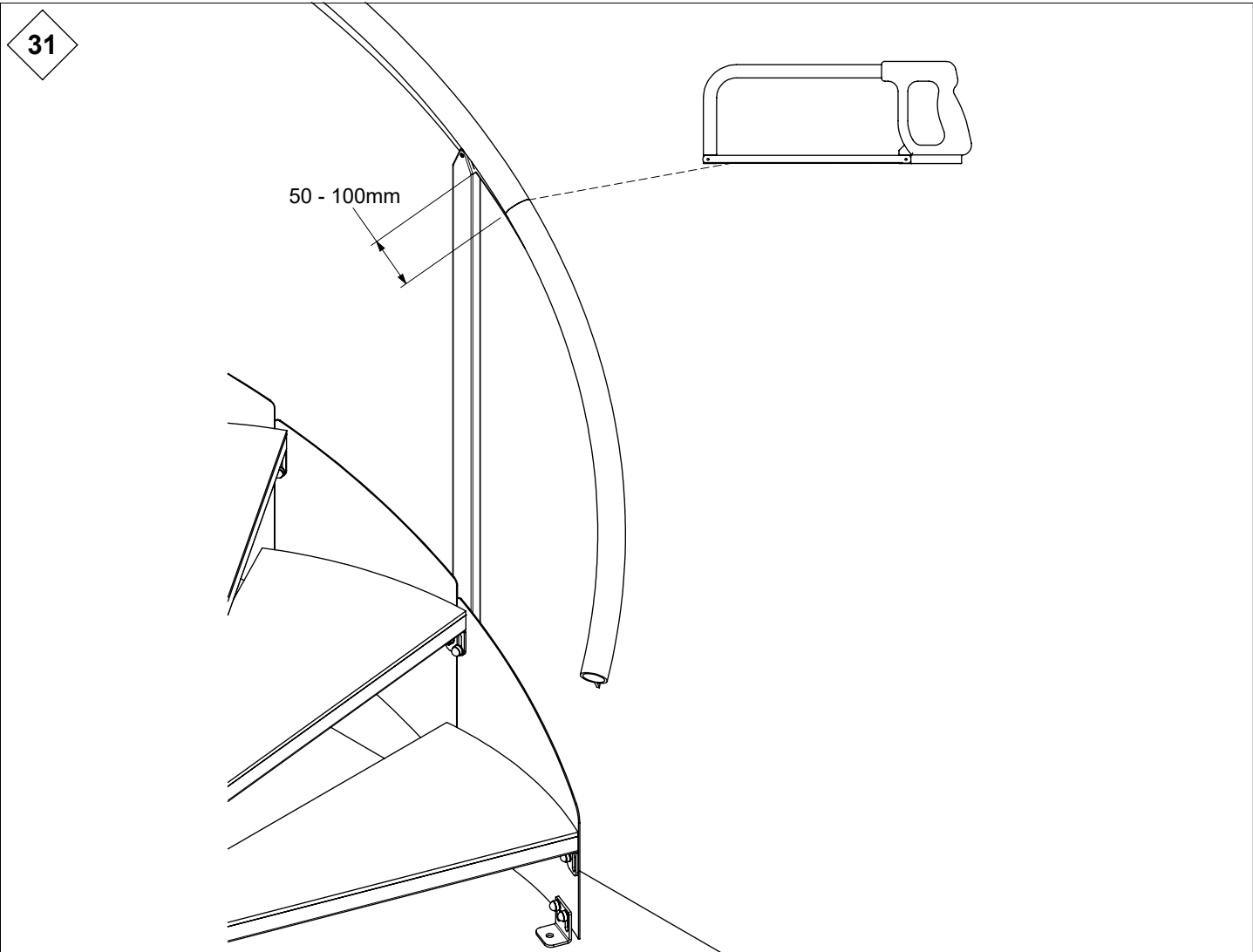
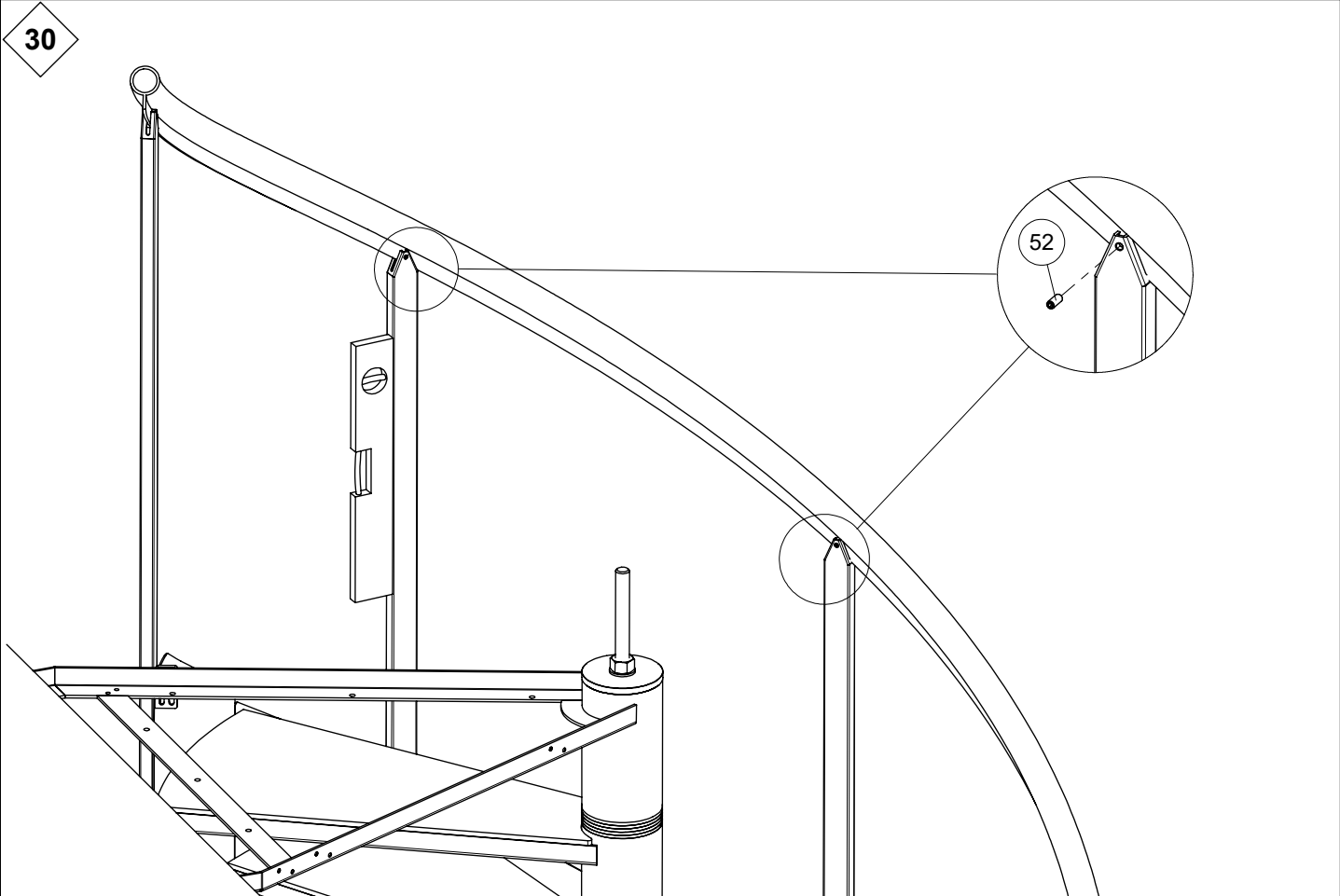


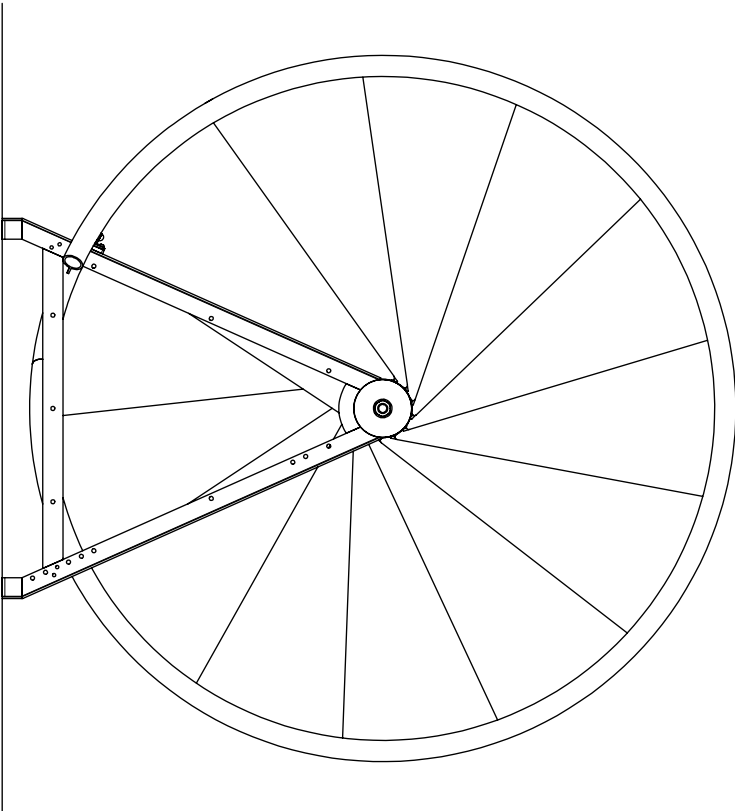
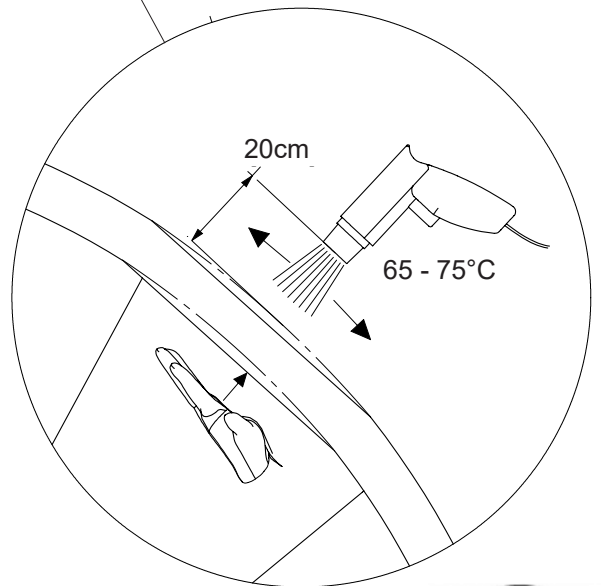
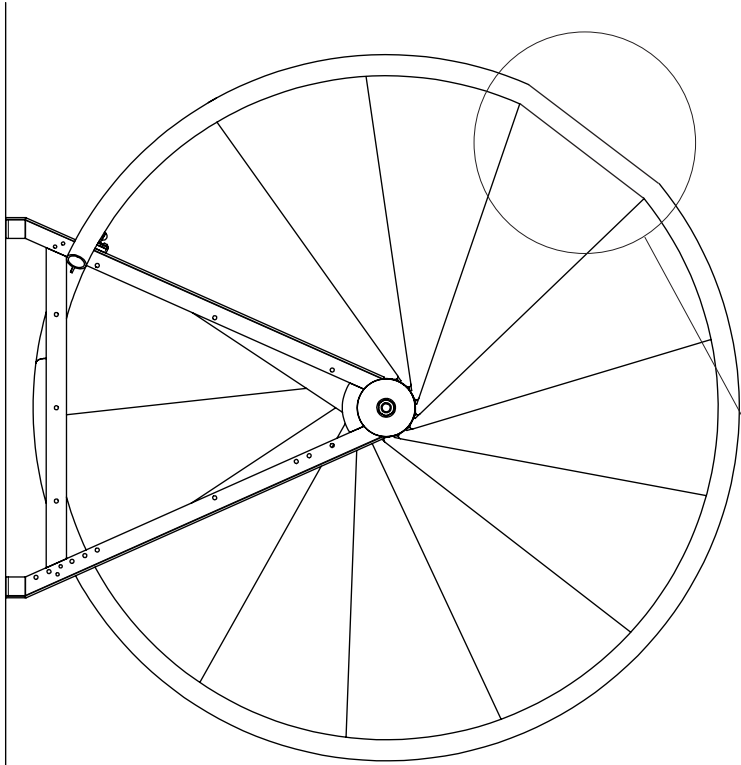


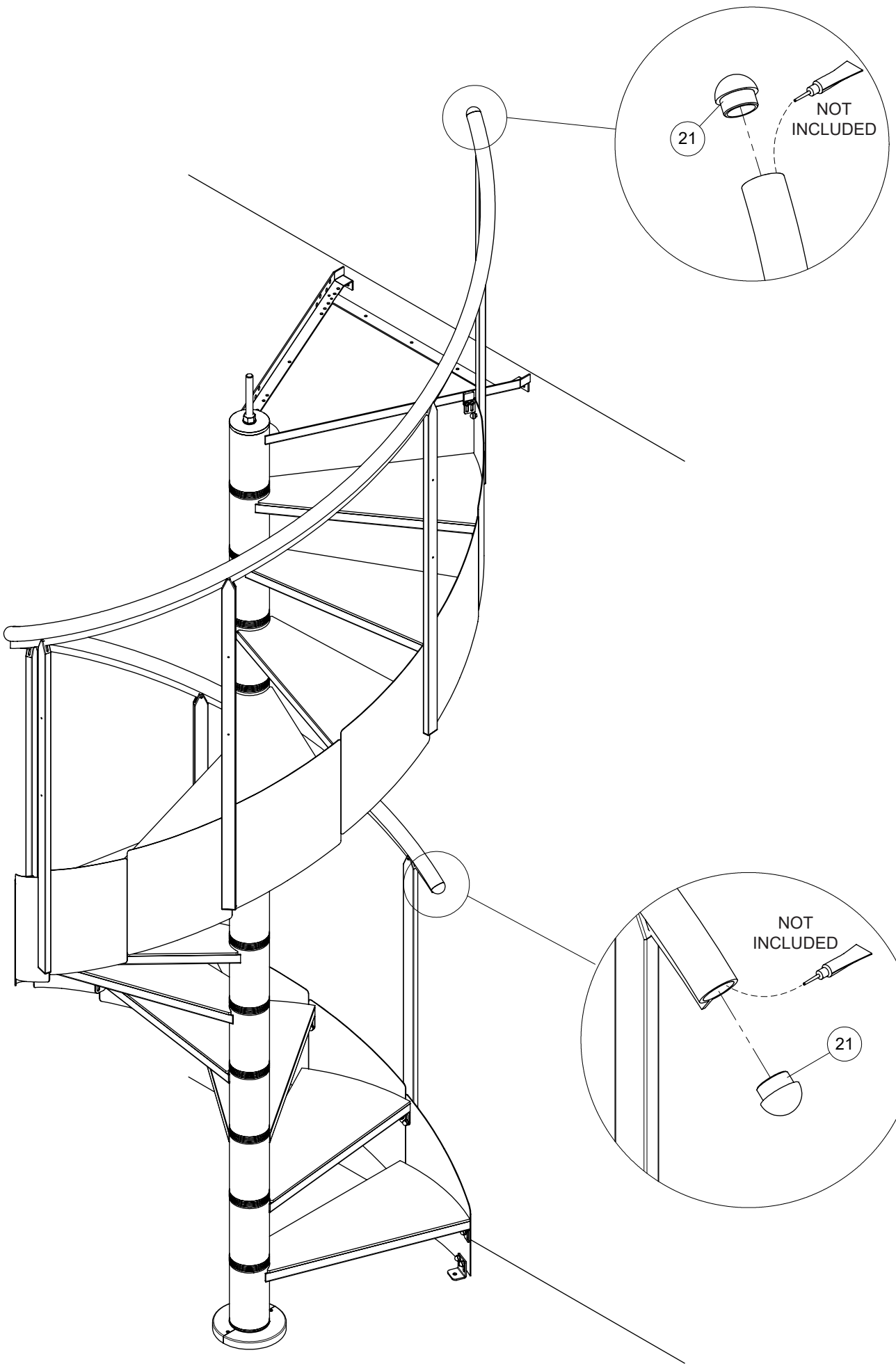


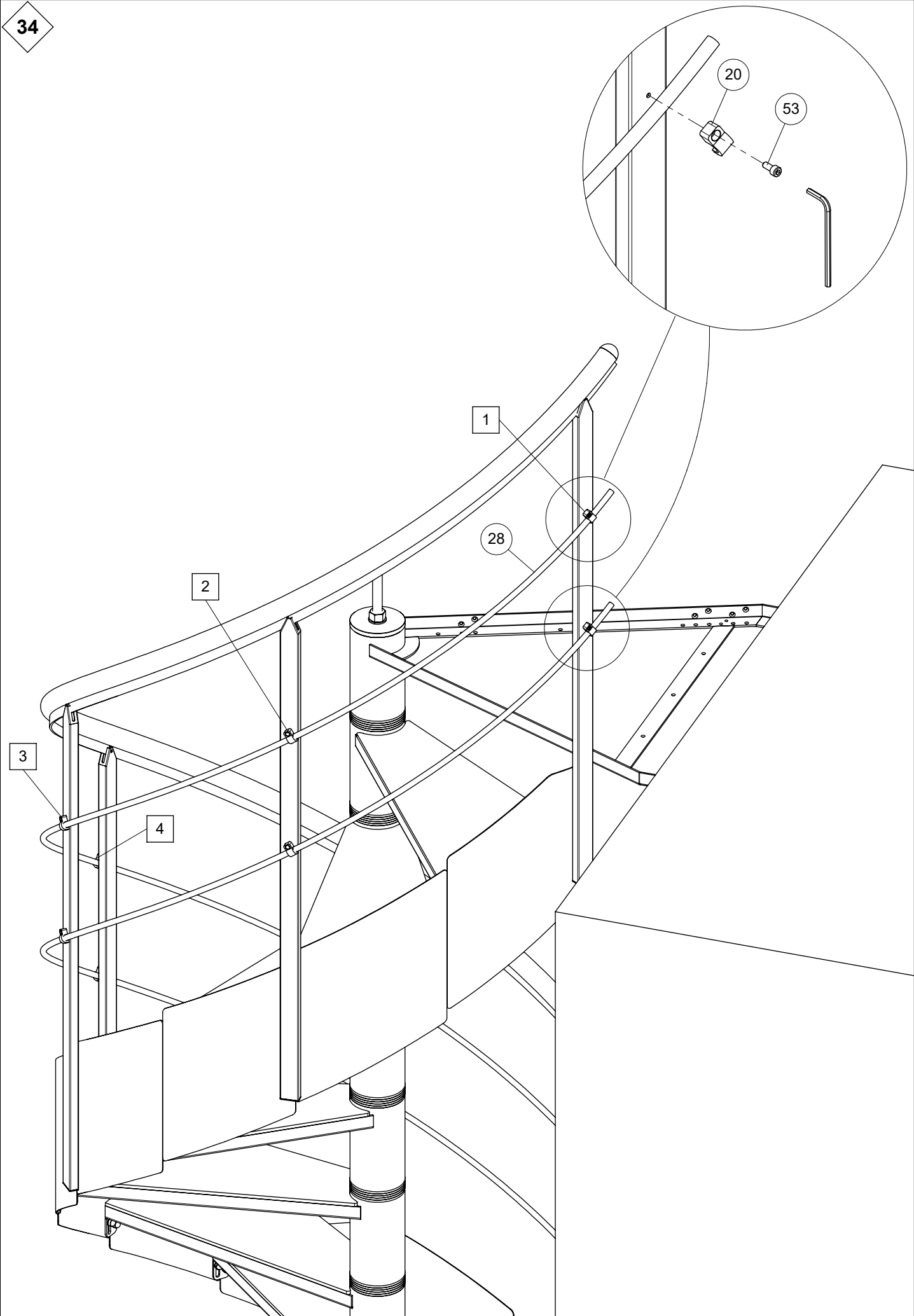




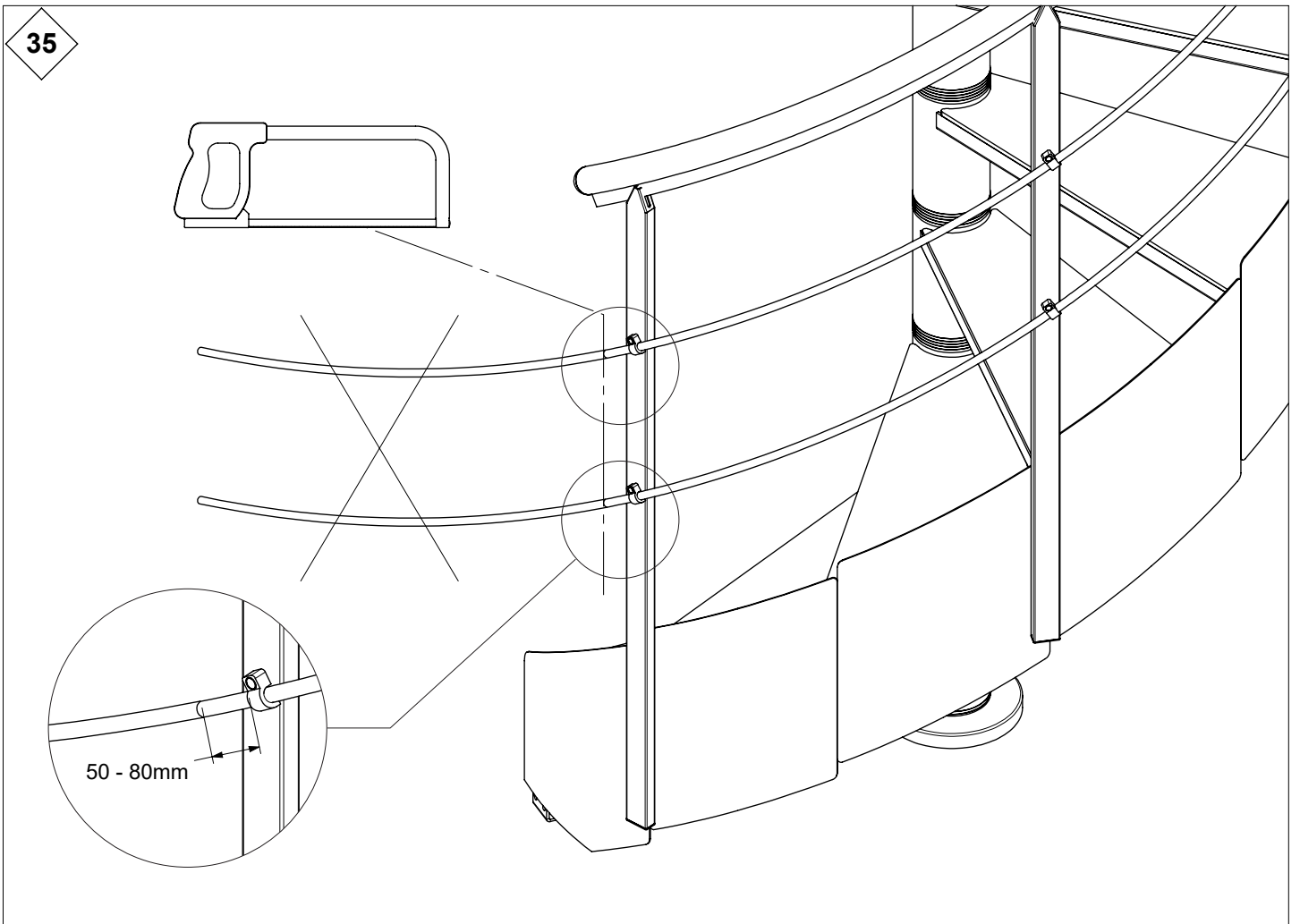




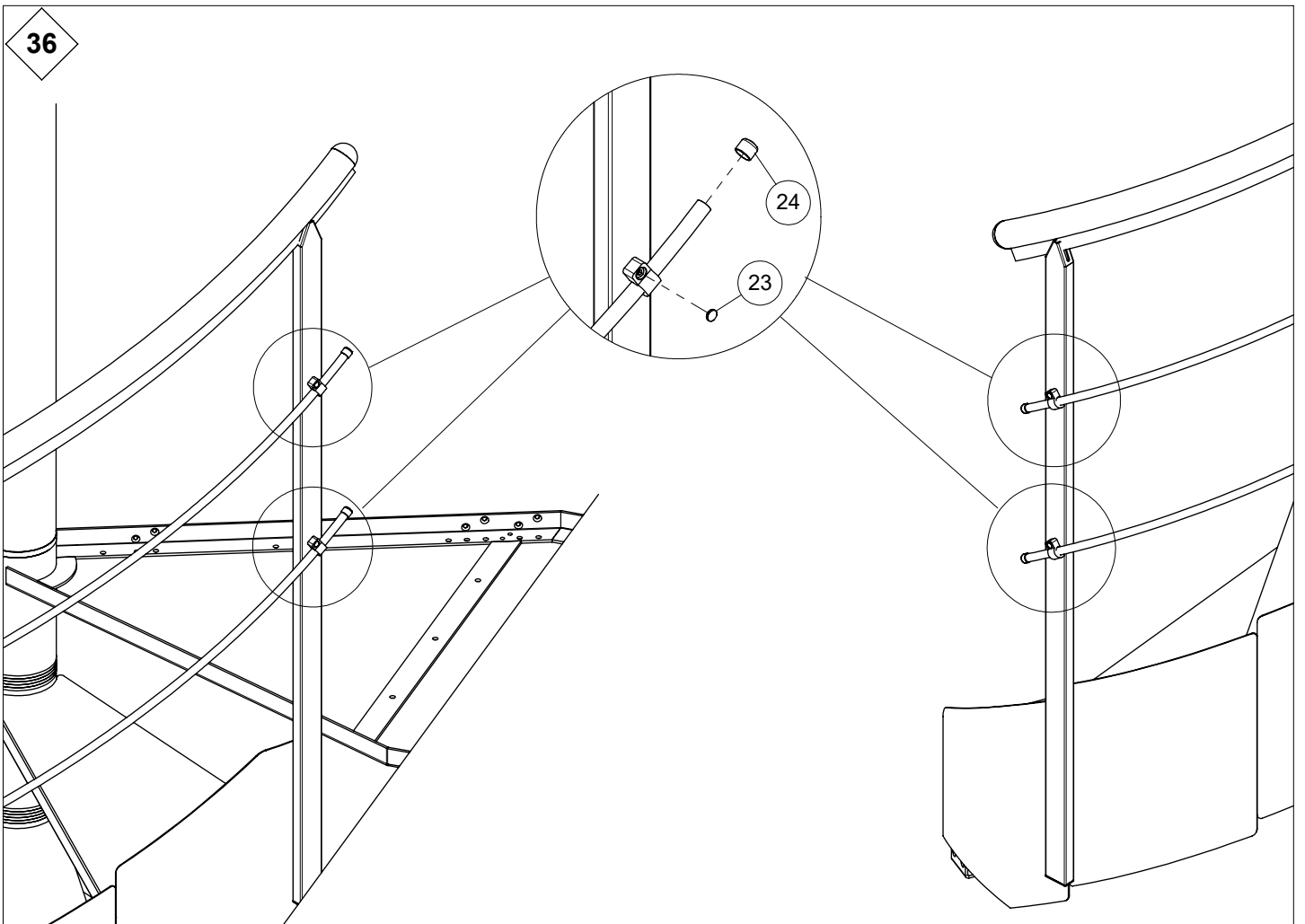


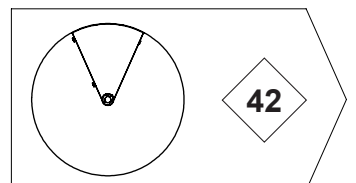
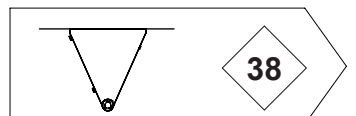
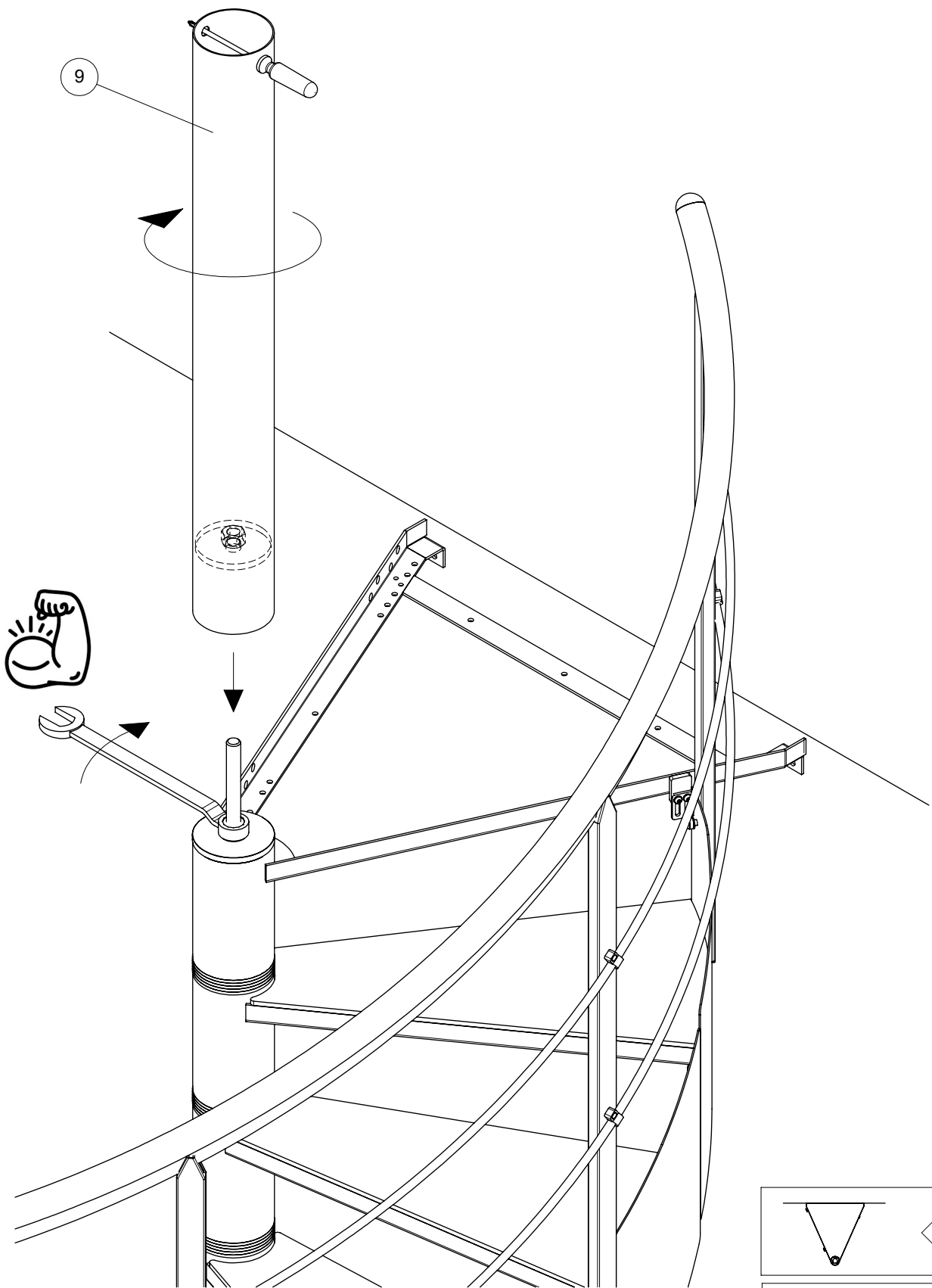


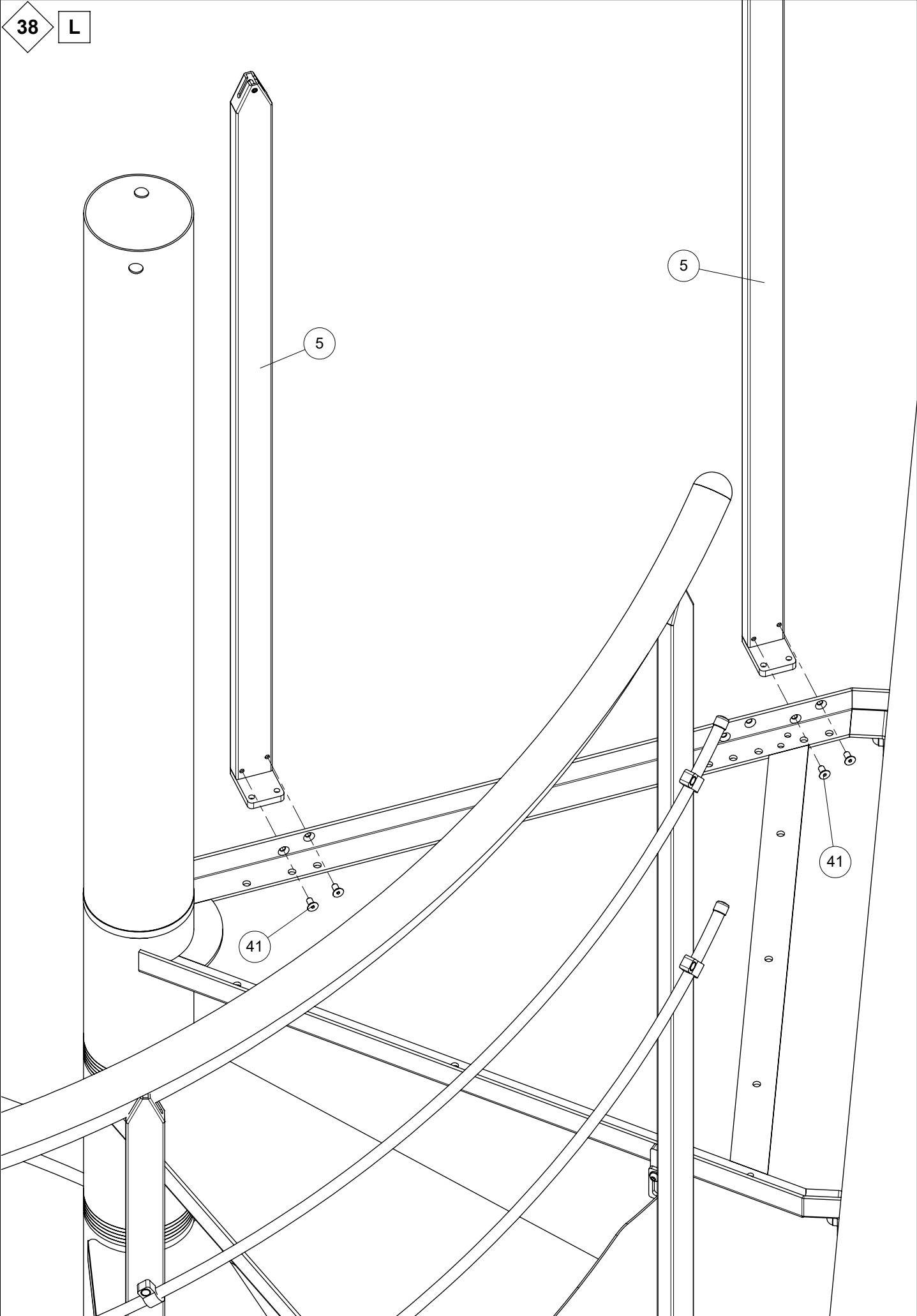
35



36

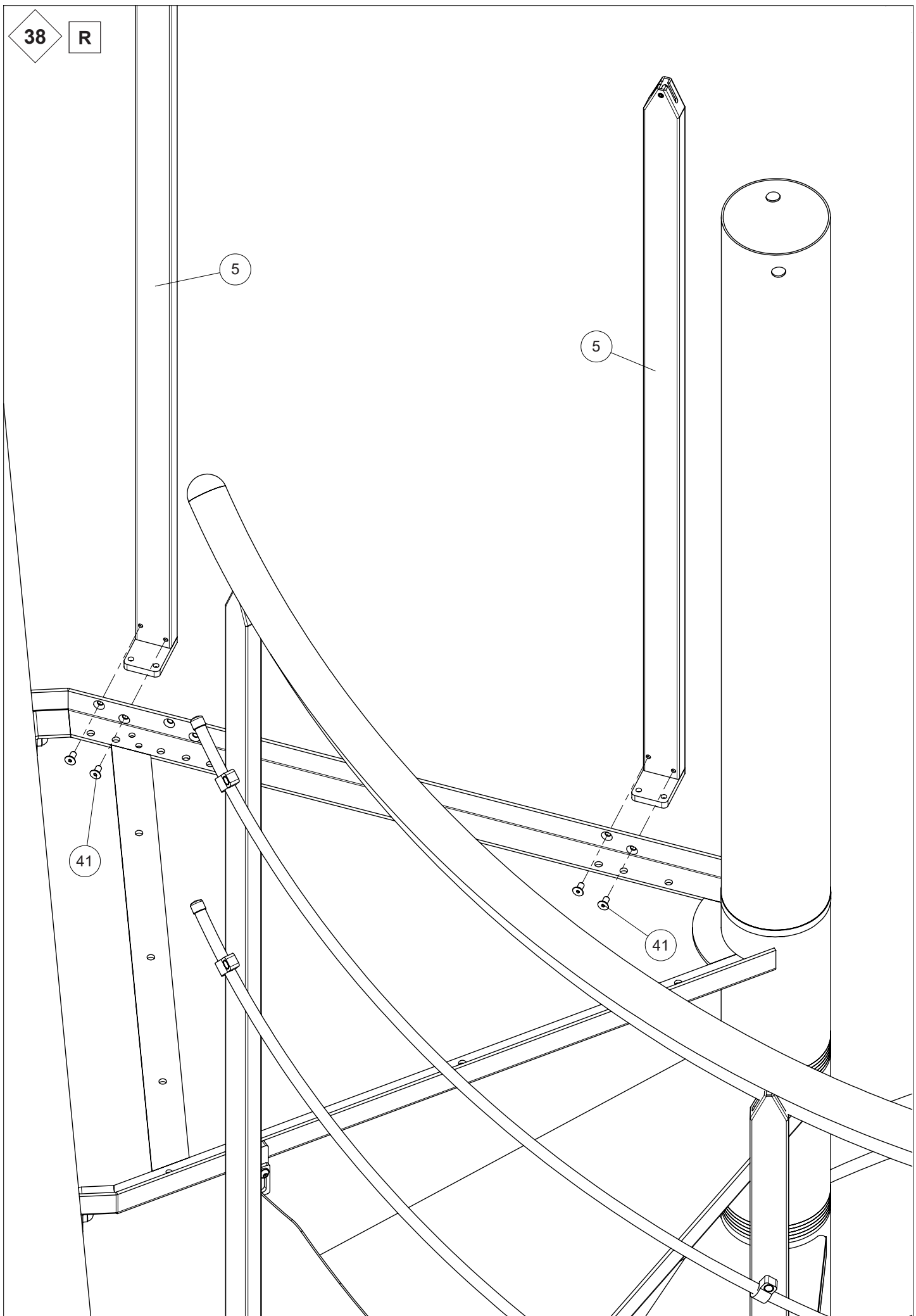


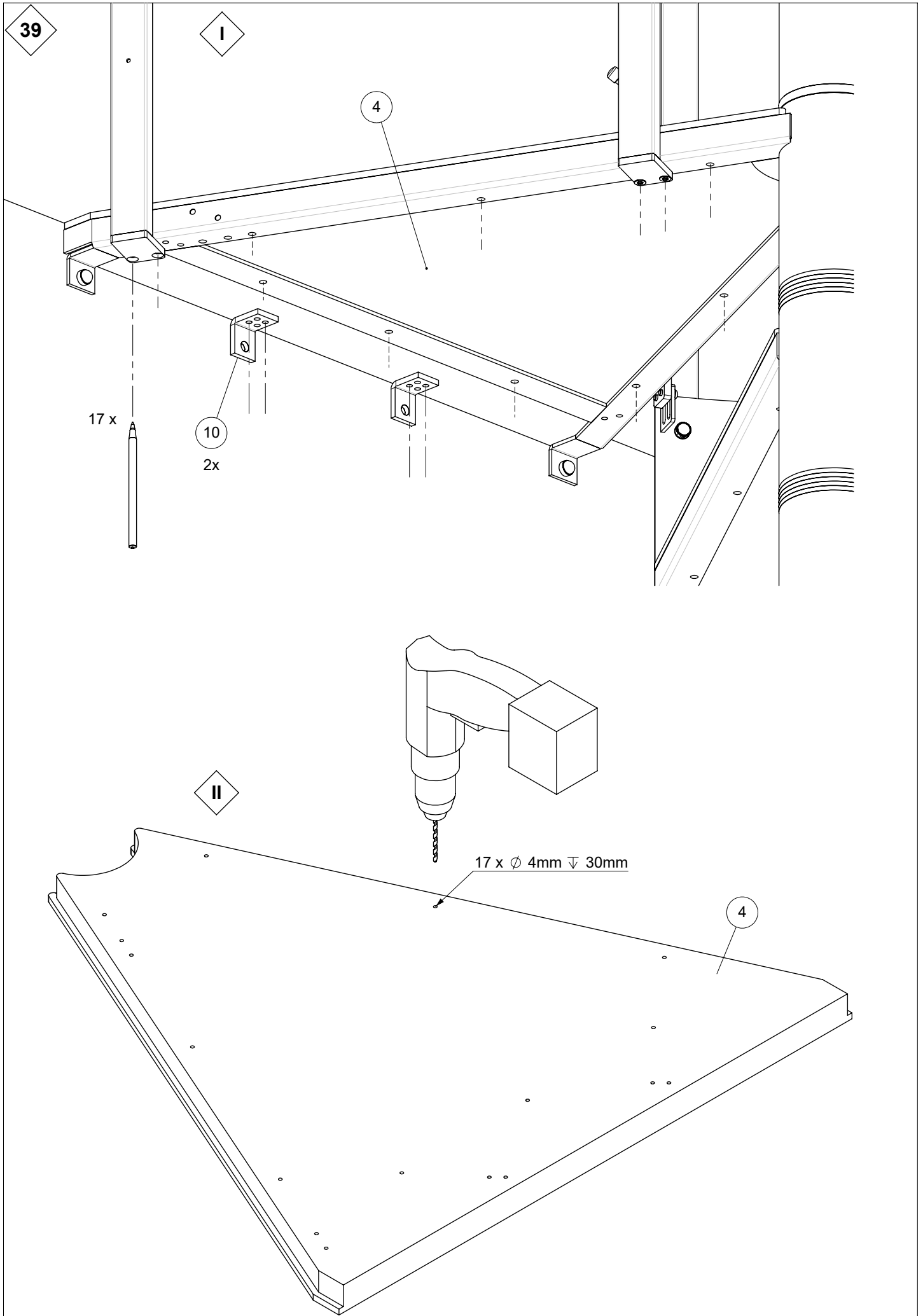


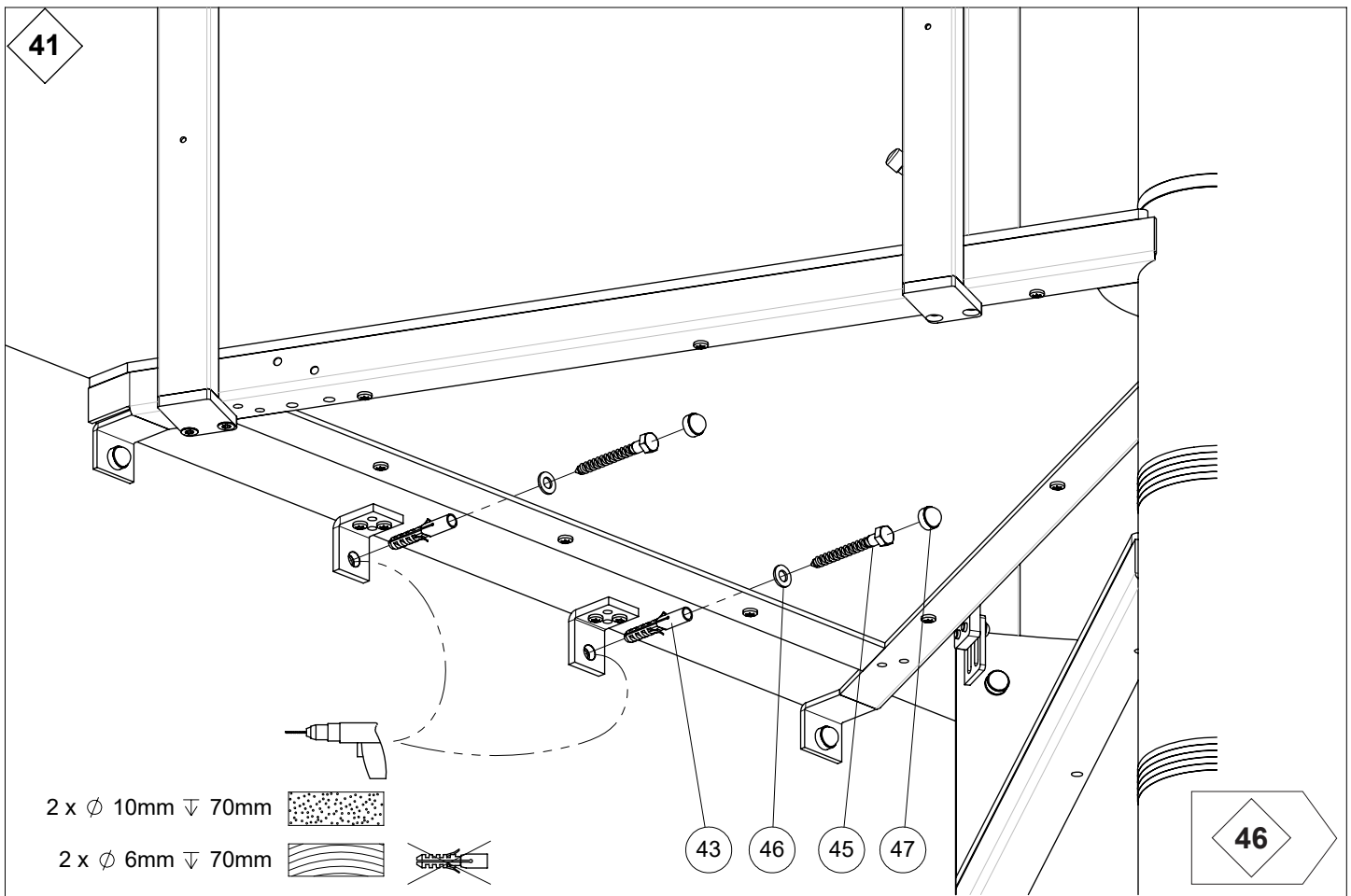
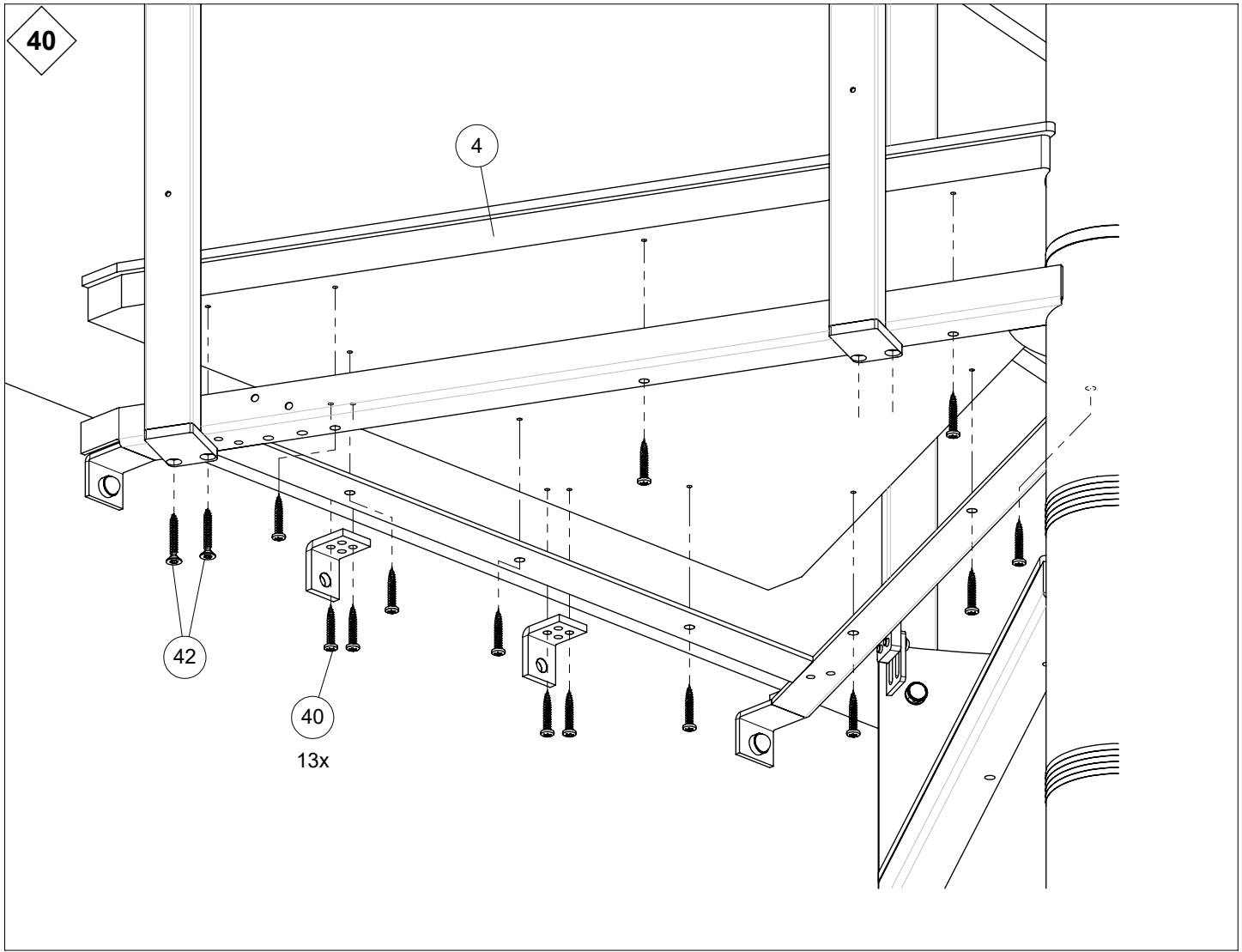


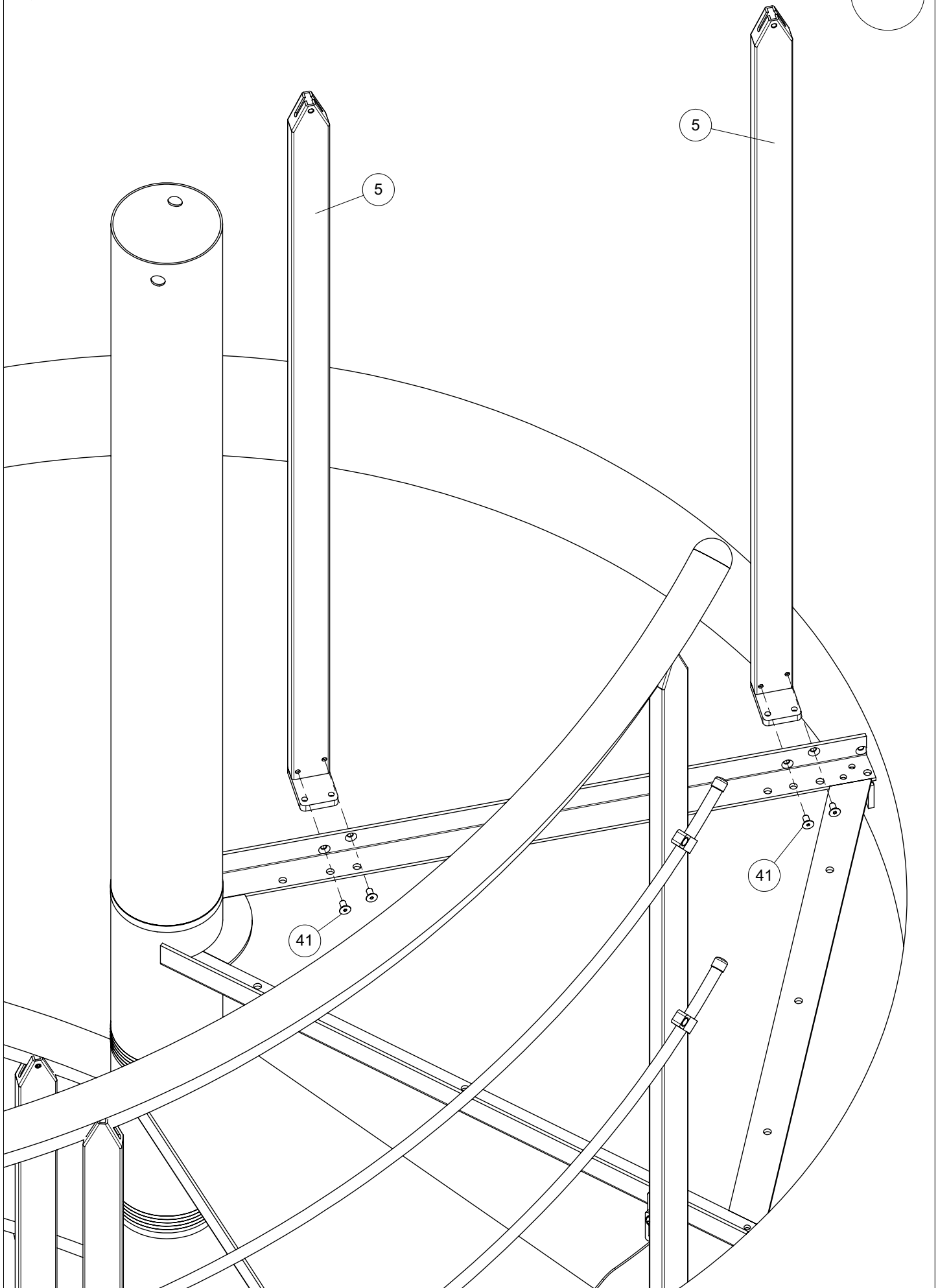
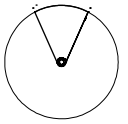
38

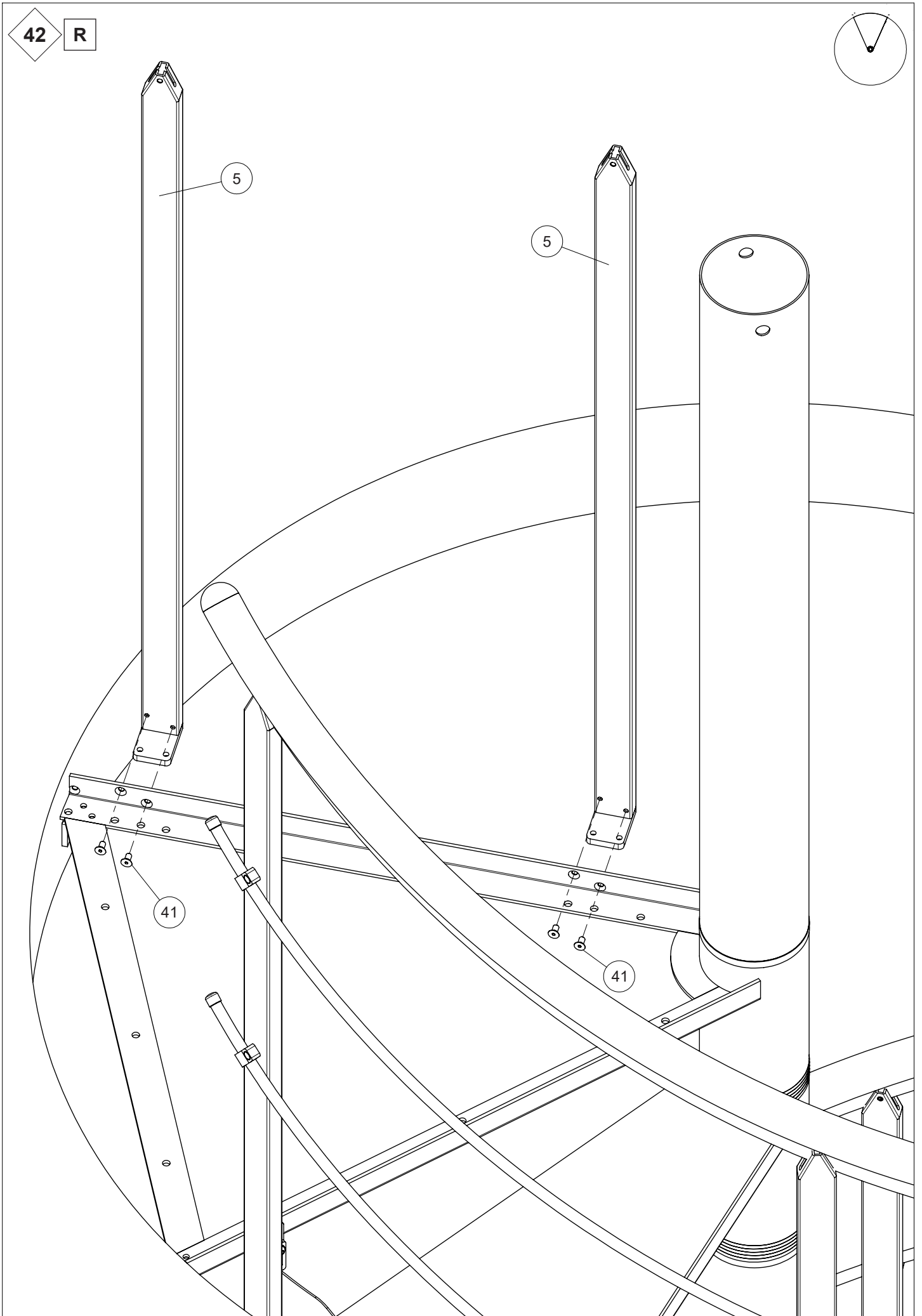
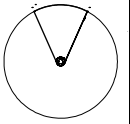
R

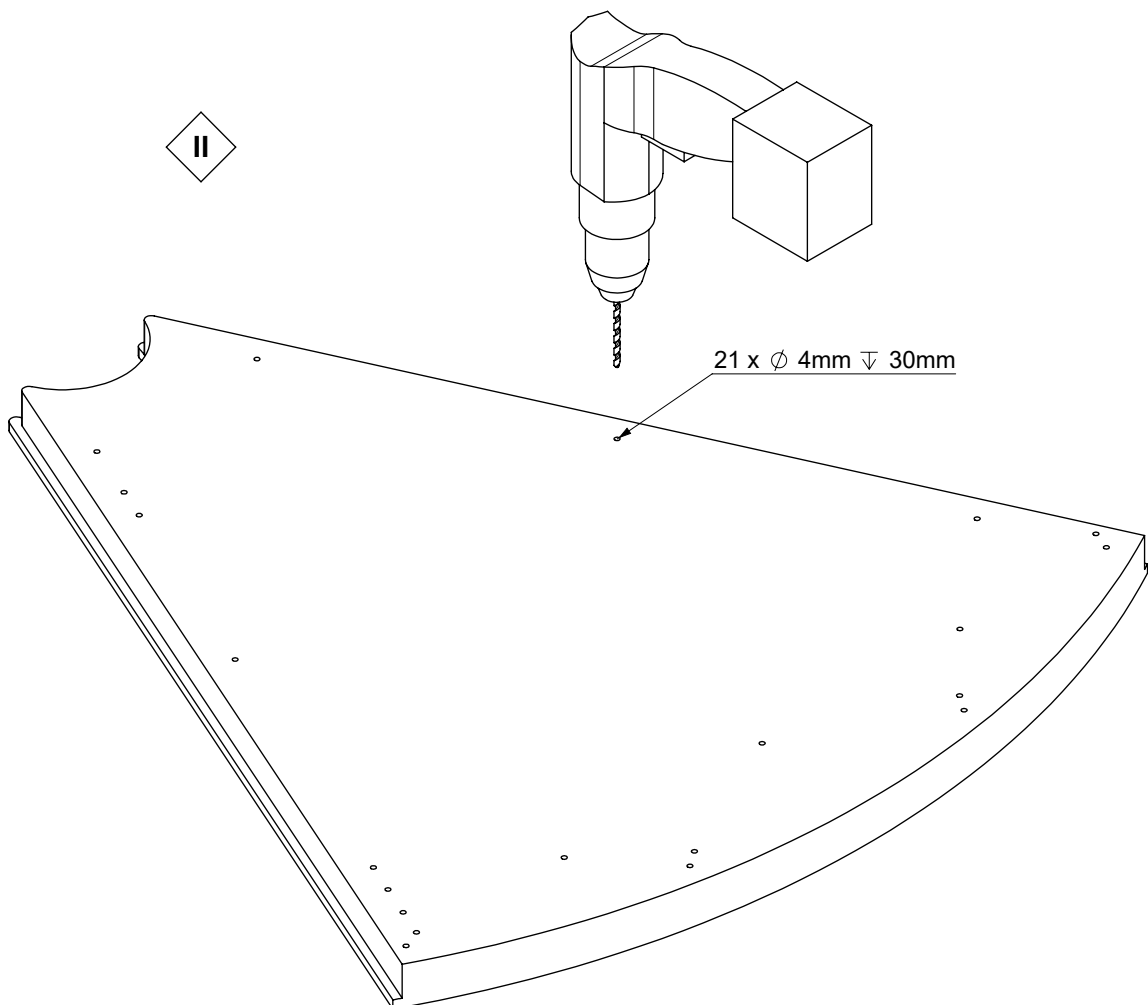
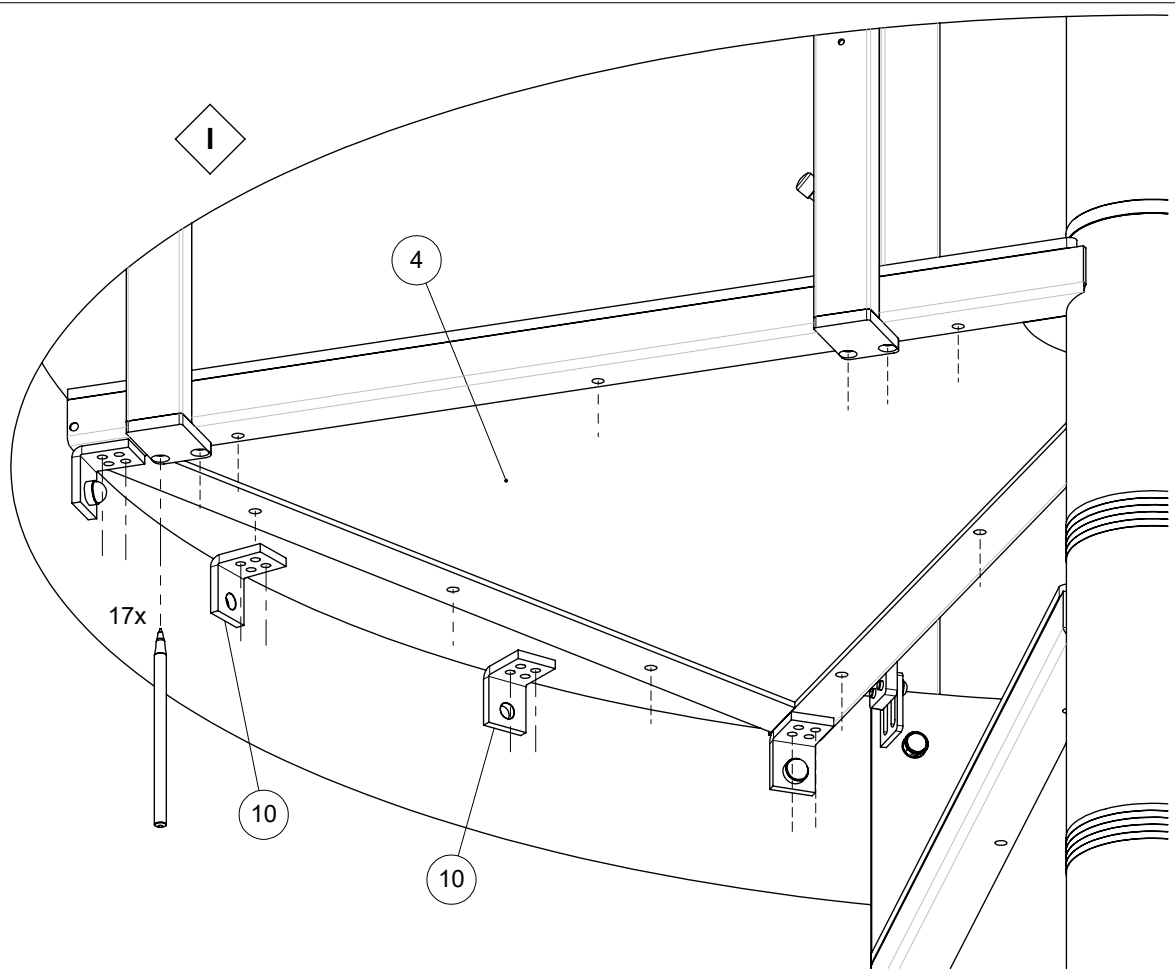




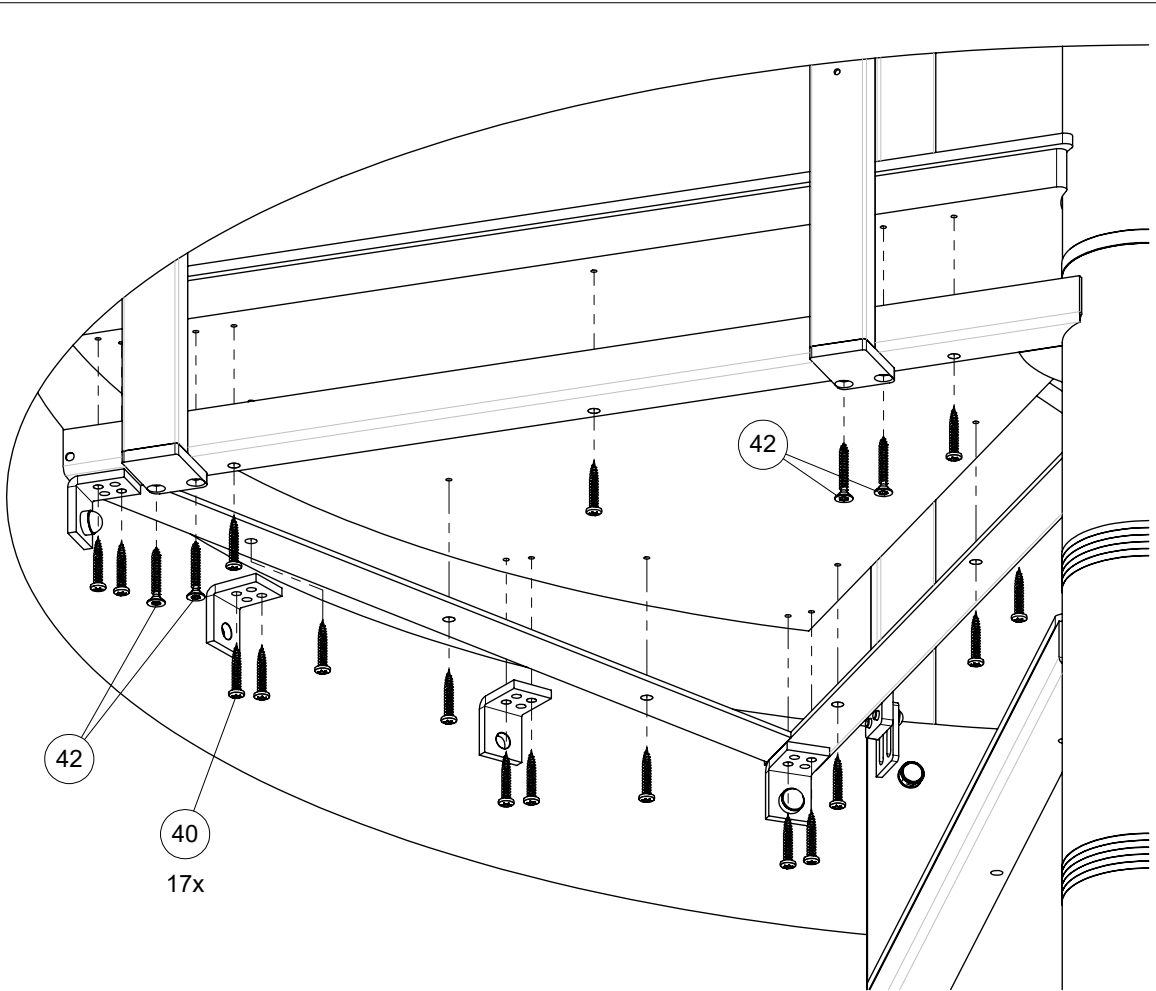




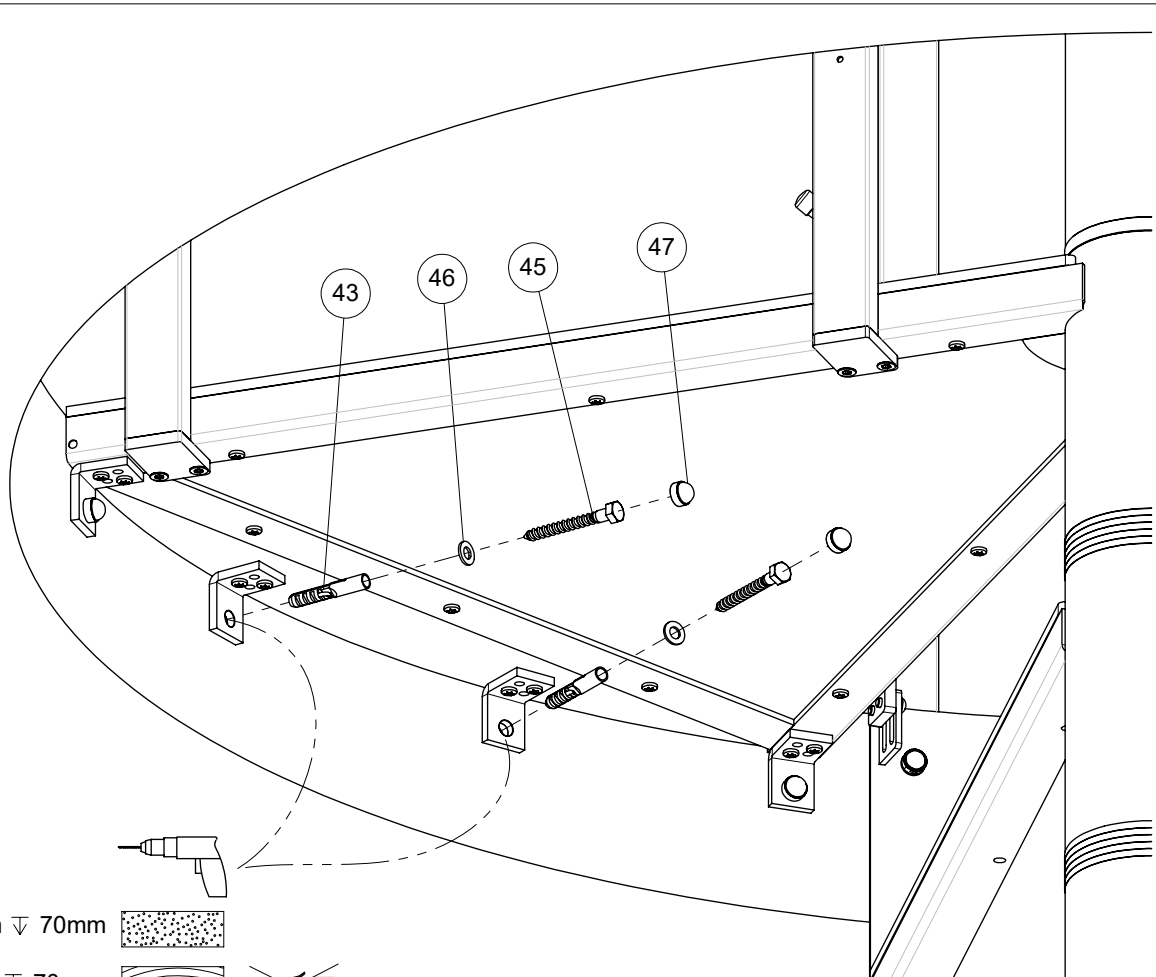




44



45



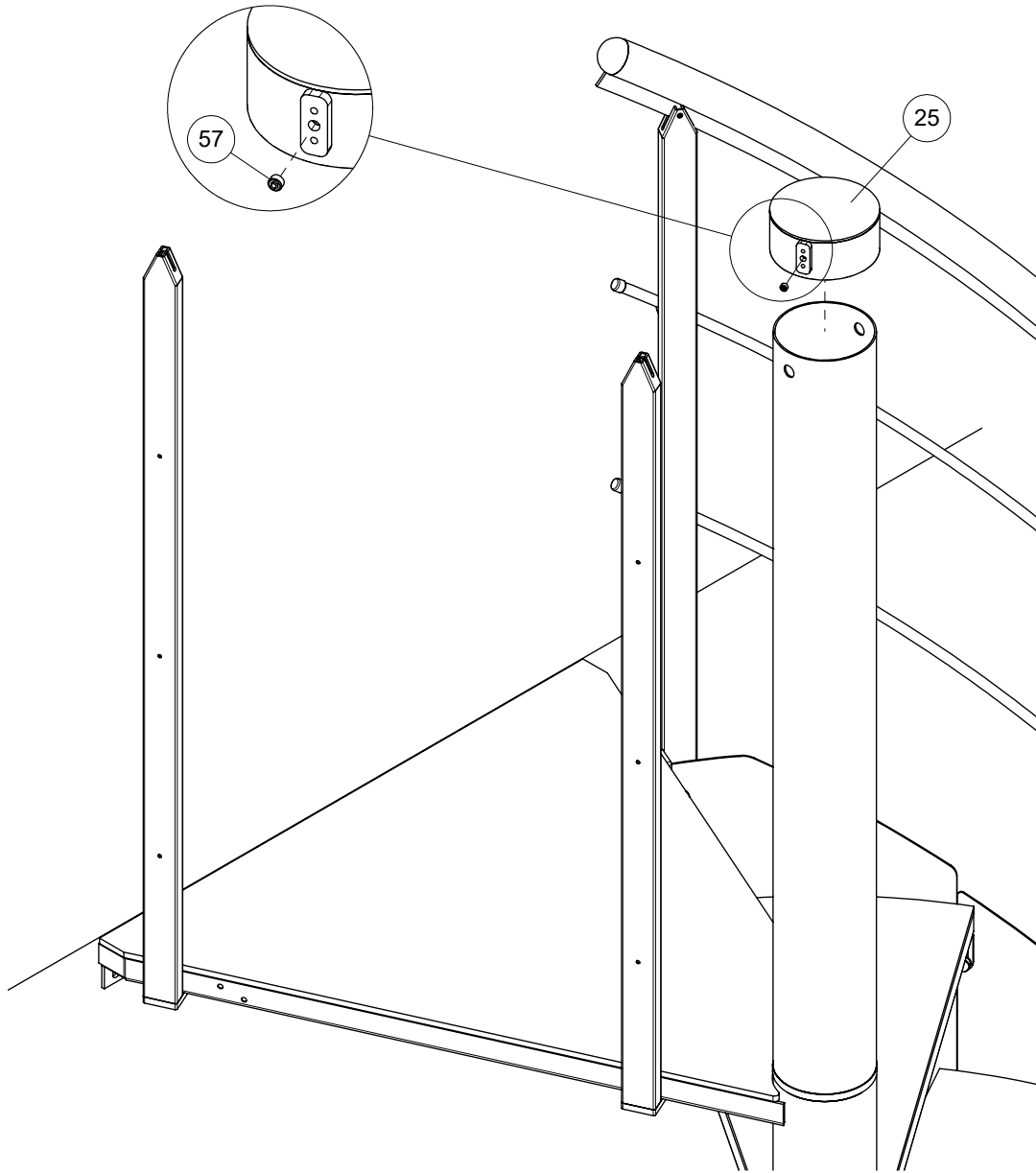
2 x \varnothing 10 mm ∇ 70mm



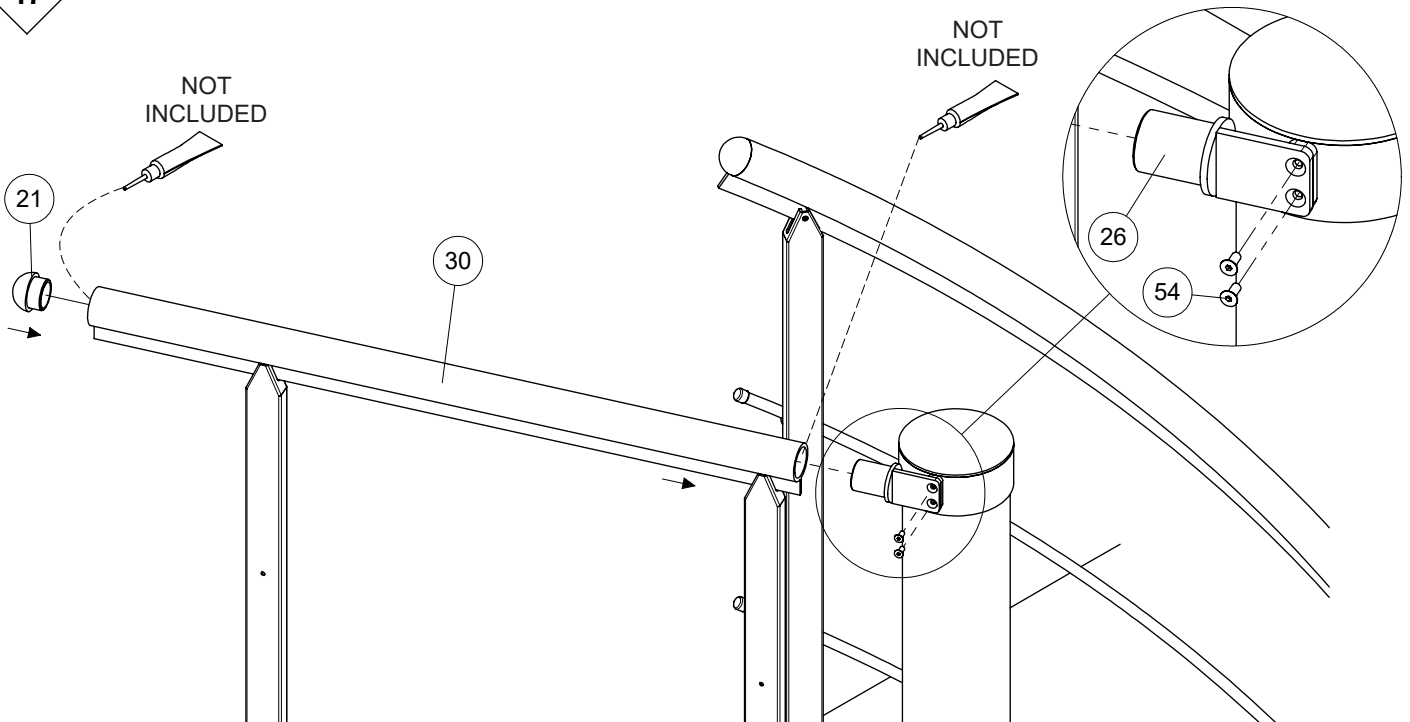
2 x \varnothing 6mm ∇ 70mm

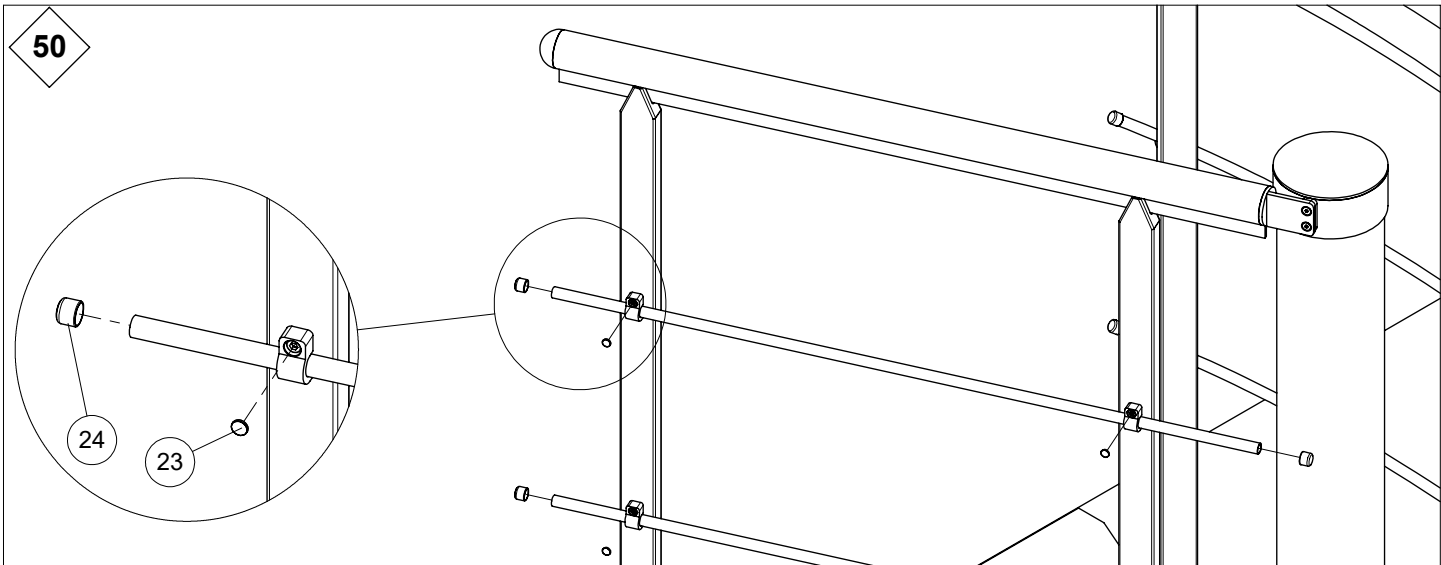
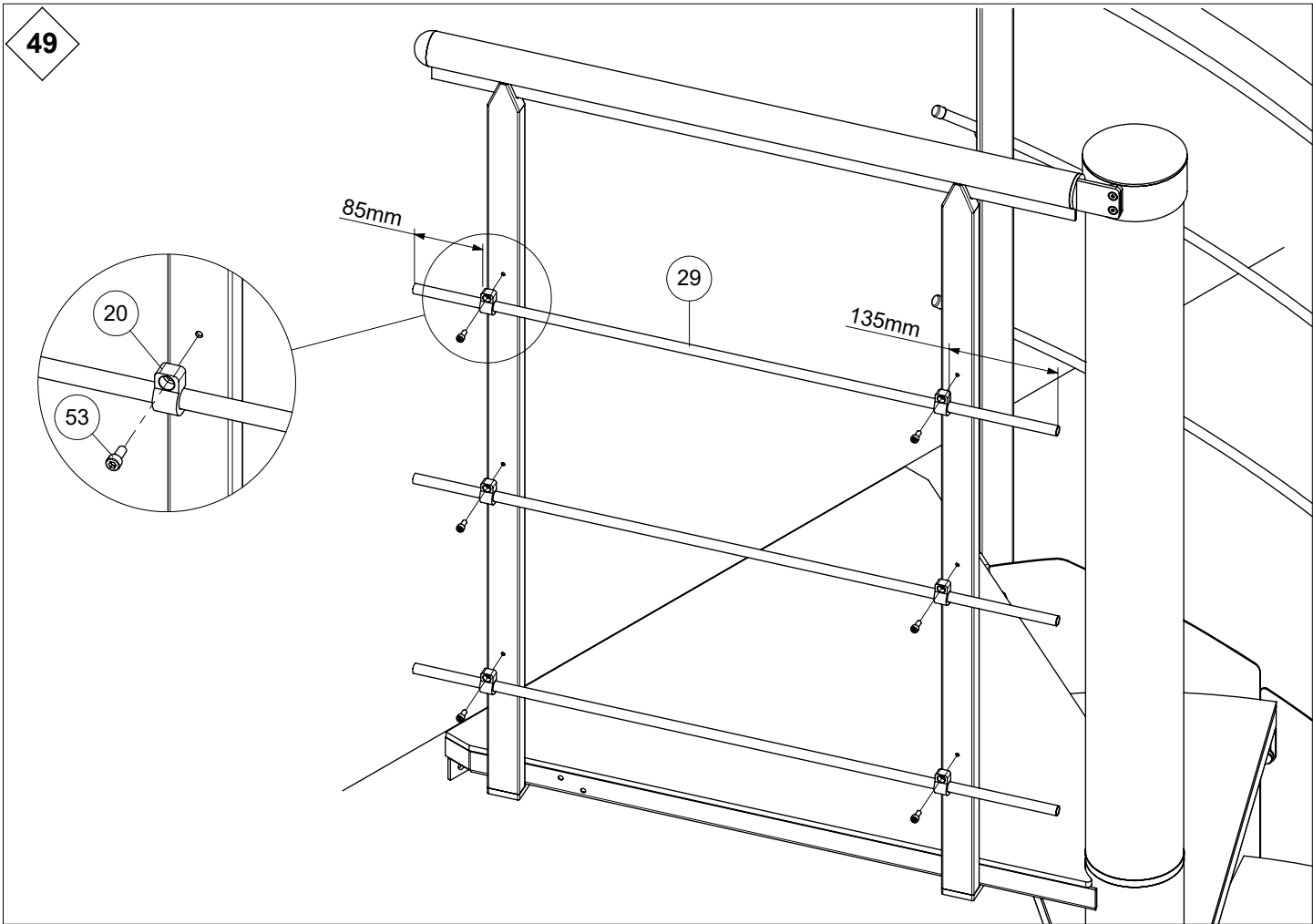
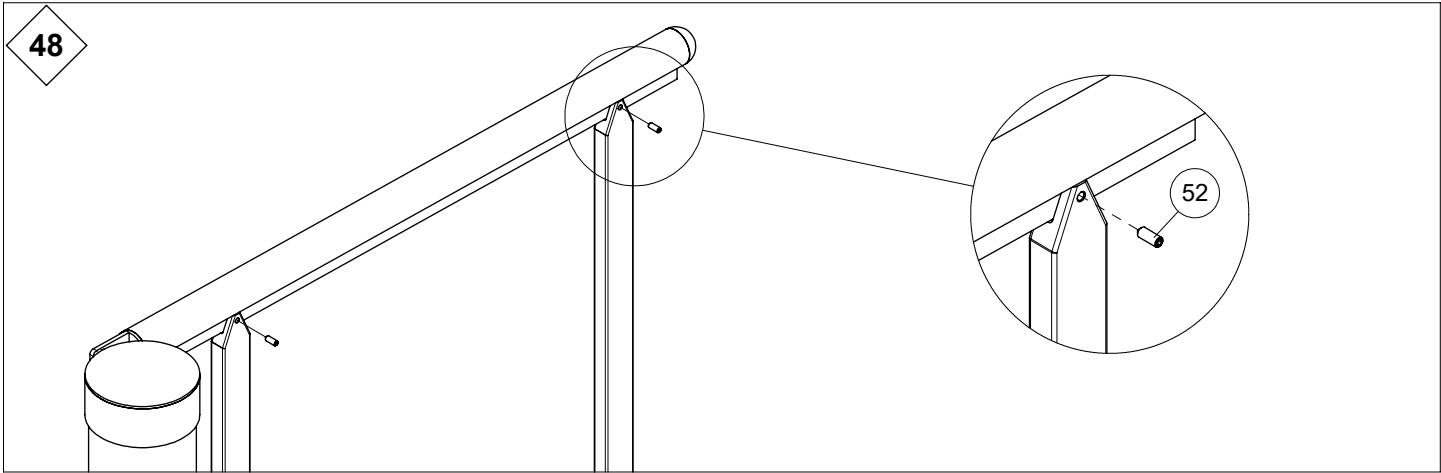


46



47





51

