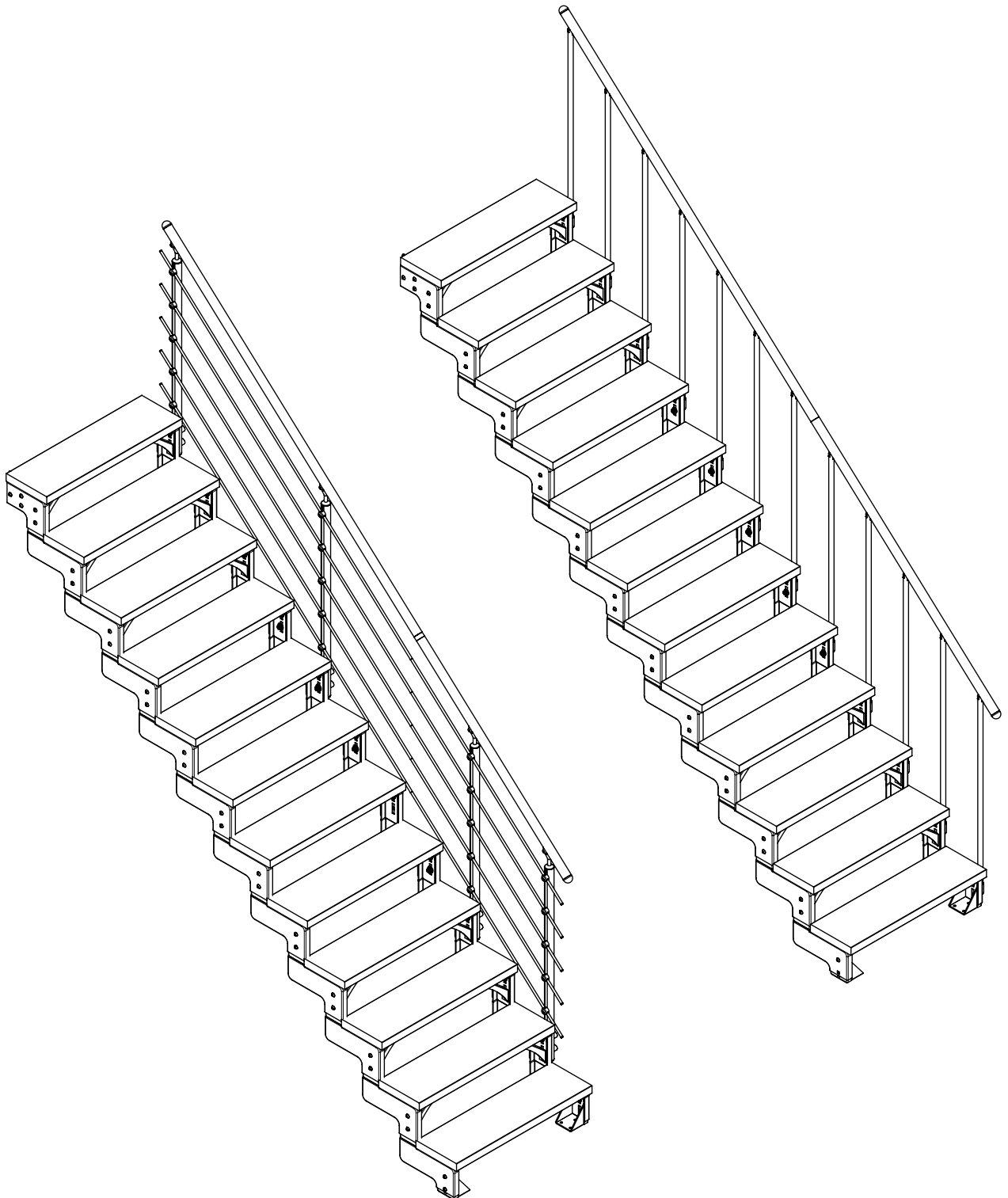


GARDENTOP

Trimax

Montageanleitung
Installation instruction



1068015		Starter-Set Start kit			
<p>1 2</p> <p>× 1 K1-41430</p> <p>× 1 K1-41930</p>		<p>7 8</p> <p>× 1 K1-41911</p> <p>× 1 K1-41910</p>		<p>5</p> <p>× 2 K2-41900</p>	
<p>6</p> <p>× 2 K1-41940</p>		<p>40</p> <p>× 14 K3-02045 M10×25</p>		<p>41</p> <p>× 2 K3-04110 Ø10</p>	
<p>42</p> <p>× 8 K3-04198 Ø10</p>		<p>43</p> <p>× 14 K3-03051 M10</p>		<p>44</p> <p>× 12 K3-08001 Ø12 x 60</p>	
<p>45</p> <p>× 12 K3-06070 Ø10 x 60</p>		<p>59</p> <p>× 12 K3-06269 Ø6 x 35</p>		<p>63</p> <p>× 4 K3-05022 M8 x 20</p>	
<p>64</p> <p>× 12 K3-04010 Ø10,5</p>					

1068016		Ergänzungs-Set 1 step kit			
<p>3 4</p> <p>× 1 K1-41921</p> <p>× 1 K1-41920</p>		<p>40</p> <p>× 4 K3-02045 M10 x 25</p>		<p>42</p> <p>× 4 K3-04198 Ø10</p>	
		<p>43</p> <p>× 4 K3-03051 M10</p>			
		<p>59</p> <p>× 6 K3-06269 Ø6 x 35</p>			

1068020

Stufen-Winkel
Step support 1 step



If more than 6 steps:
Add

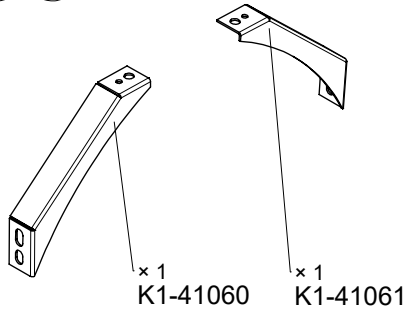
9 + 10

Wenn mehr als 6 Stufen:

9 + 10

hinzufügen

9 10



Max. 6 Satz | sets

40

x 2
K3-02045
M10 x 25



43

x 2
K3-03051
M10



58

x 2
K3-02386
M8 x 40



59

x 1
K3-06269
Ø6 x 35



61

x 2
K3-03047
M8

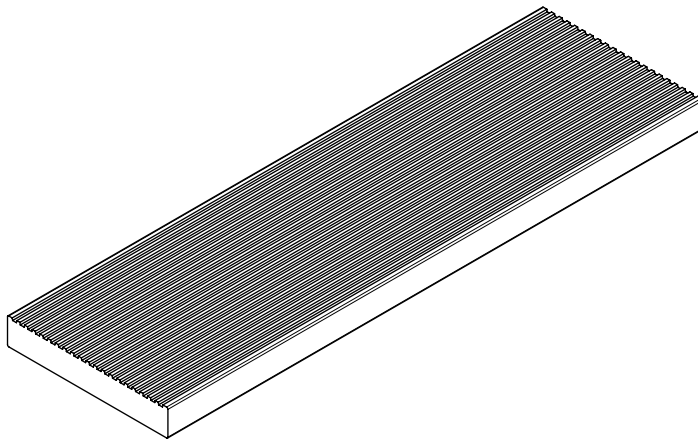


65

x 2
K3-04099
Ø10

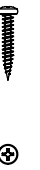


11



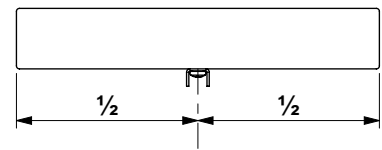
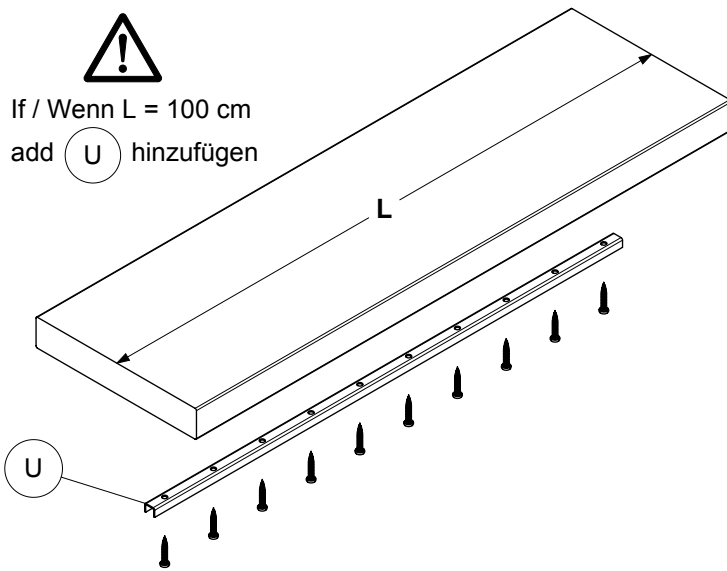
59

x 6
K3-06269
Ø6x35

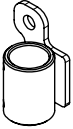
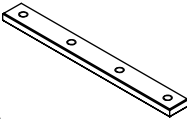
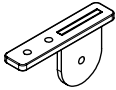



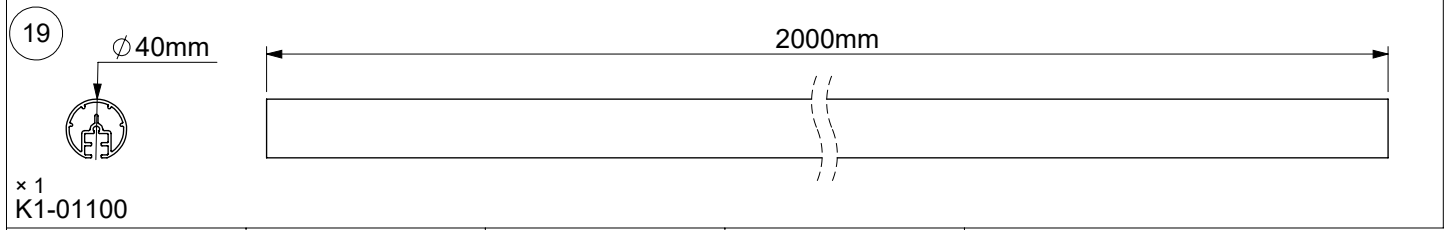
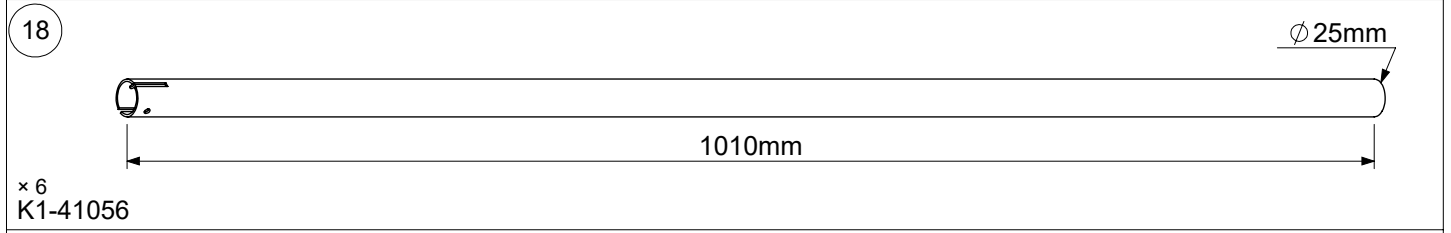
Trimax-Stufe
Trimax step **80 cm / 100 cm**





If / Wenn L = 100 cm
add U hinzufügen







1068031	Steiggeländer für 6 Stufen Standard banister for 6 steps
----------------	---------------------------------------------------------------------------

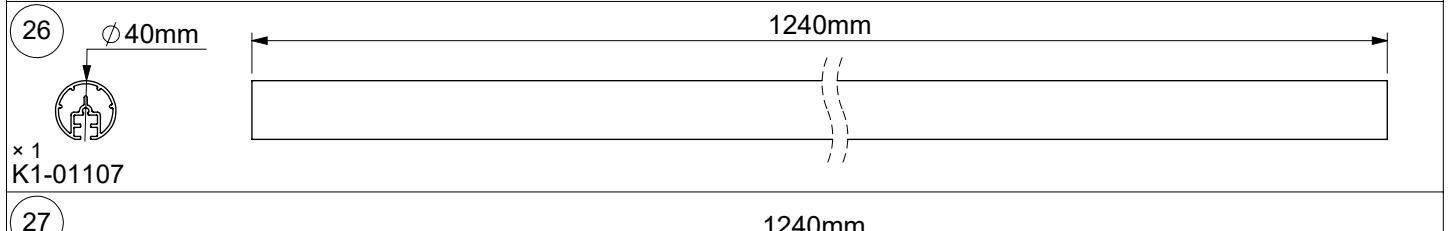
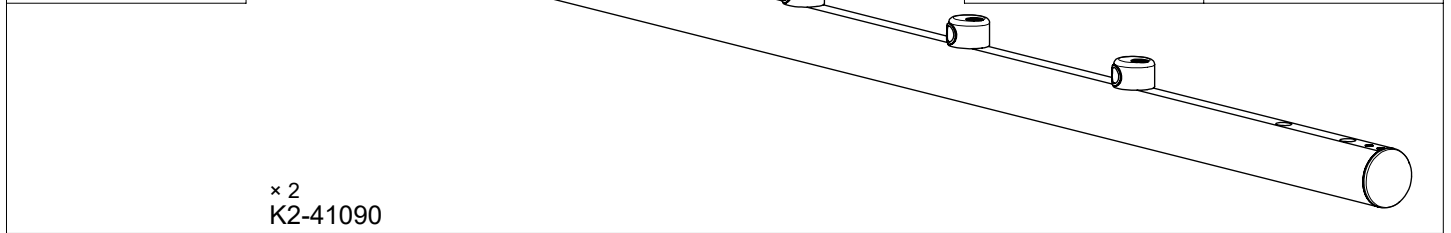
<p>14</p>  <p>× 6 K2-41052</p>	<p>15</p>  <p>× 1 K1-01221</p>	<p>16</p>  <p>× 6 K1-02130</p>	<p>17</p>  <p>× 2 K2-04040</p>
---------------------------------------------------------------------------------------------------------------------	---------------------------------------------------------------------------------------------------------------------	---------------------------------------------------------------------------------------------------------------------	---------------------------------------------------------------------------------------------------------------------



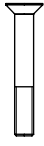


<p>46</p>  <p>× 6 K3-01034 M4 x 30</p>	<p>47</p>  <p>× 6 K3-03004 M4</p>	<p>48</p>  <p>× 12 K3-05006 M6 x 8</p>	<p>68</p>  <p>× 16 K3-05052 M5 x 16</p>
---------------------------------------------------------------------------------------------------------------------------------	----------------------------------------------------------------------------------------------------------------------------	---------------------------------------------------------------------------------------------------------------------------------	----------------------------------------------------------------------------------------------------------------------------------

1068040	Steiggeländer PROVA Starter-Set für 4 Stufen PROVA banister start for 4 steps
----------------	------------------------------------------------------------------------------------------------

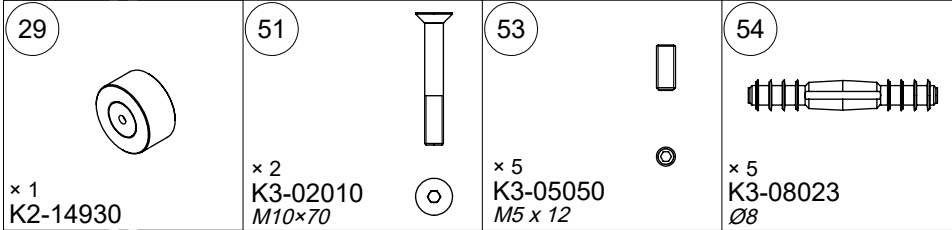
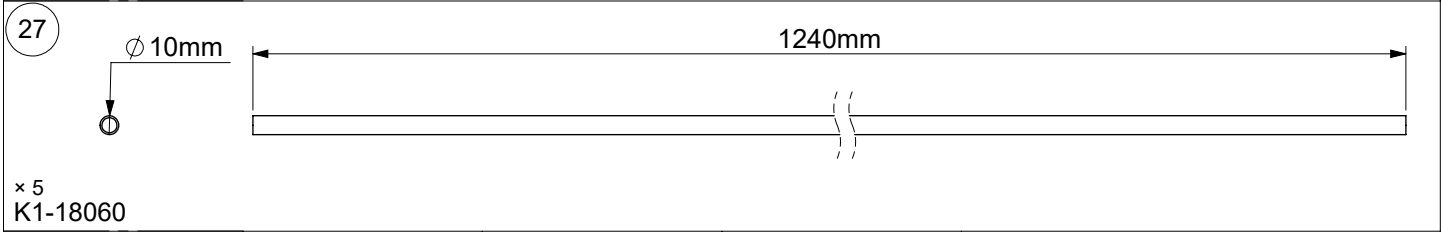
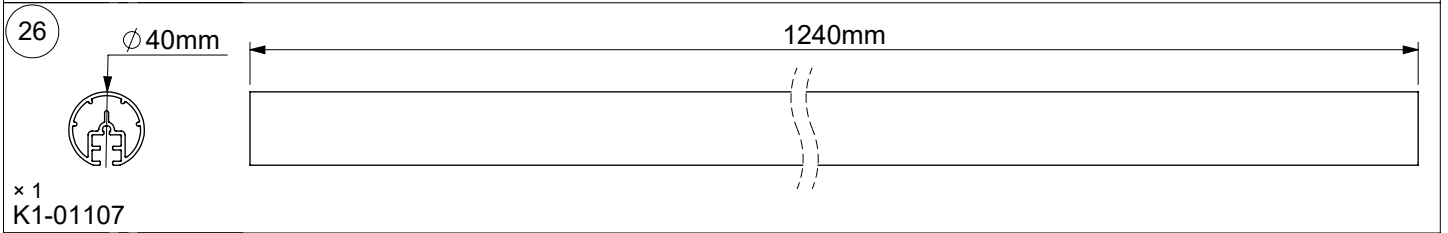
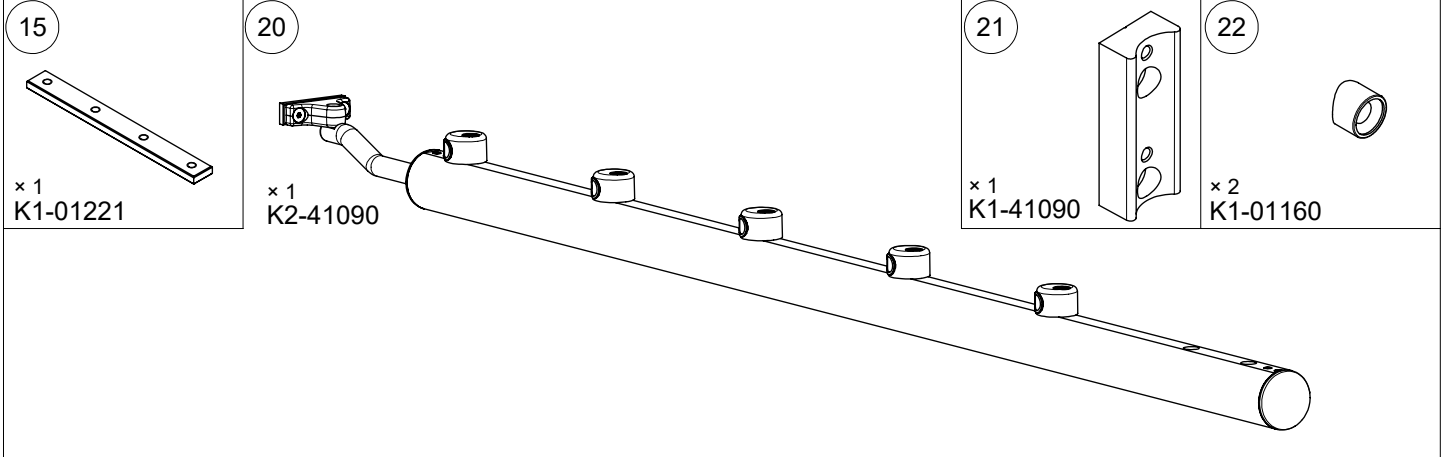
<p>17</p>  <p>× 2 K2-04040</p>	 <p>× 2 K2-41090</p>	<p>21</p>  <p>× 2 K1-41090</p>	<p>22</p>  <p>× 4 K1-01160</p>
-----------------------------------------------------------------------------------------------------------------------	--------------------------------------------------------------------------------------------------------------	-------------------------------------------------------------------------------------------------------------------------	-------------------------------------------------------------------------------------------------------------------------



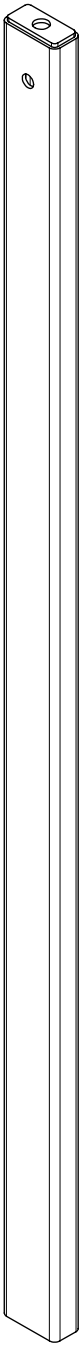
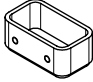
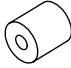






<p>28</p>  <p>× 10 K1-01010</p>	<p>29</p>  <p>× 1 K2-14930</p>	<p>51</p>  <p>× 4 K3-02010 M10 x 70</p>	
------------------------------------------------------------------------------------------------------------------------	-----------------------------------------------------------------------------------------------------------------------	------------------------------------------------------------------------------------------------------------------------------------	--

1068041

Steiggeländer PROVA Ergänzungs-Set für 4 Stufen
PROVA banister extension for 4 steps



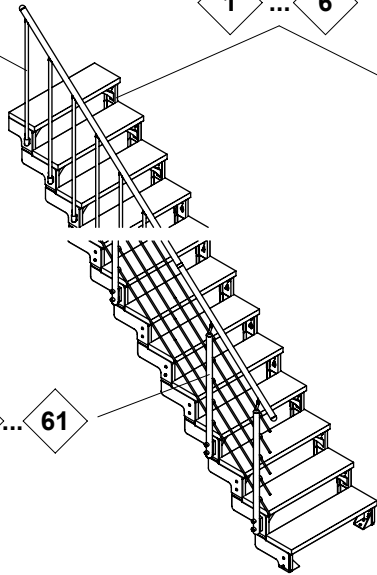
1068098**Unterstützung
Support****OPTION**

<p>24</p>  <p>× 1 K1-41950</p>	<p>26</p>  <p>× 1 K1-41955</p>	<p>27</p>  <p>× 1 K1-41956</p>	<p>41</p>  <p>× 1 K3-04110 Ø10</p>	<p>43</p>  <p>× 1 K3-03051 M10</p>	<p>52</p>  <p>× 1 K3-02375 M10 x 75</p>
	<p>53</p>  <p>× 2 K3-05007 M5 x 5</p>	<p>54</p>  <p>× 1 K3-08002 Ø8 x 40</p>	<p>55</p>  <p>× 1 K3-06032 Ø6 x 60</p>		

A

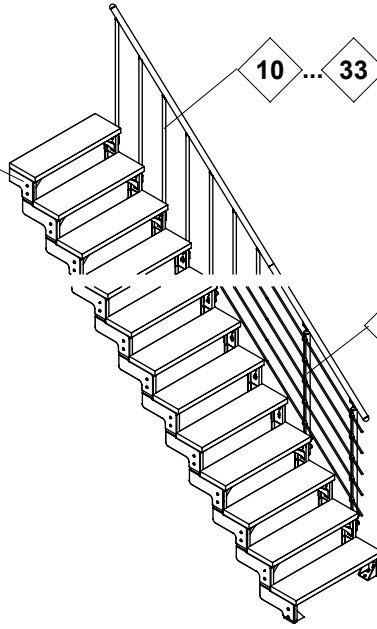
10 ... 33

1 ... 6



10 ... 33

A



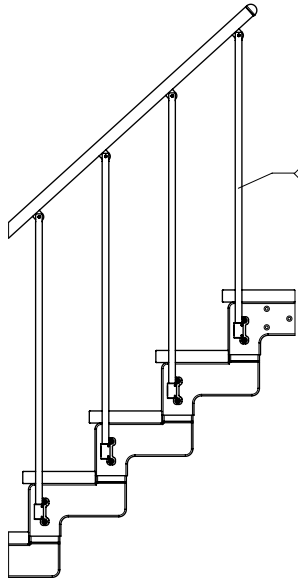
40 ... 61

B

B

40 ... 61

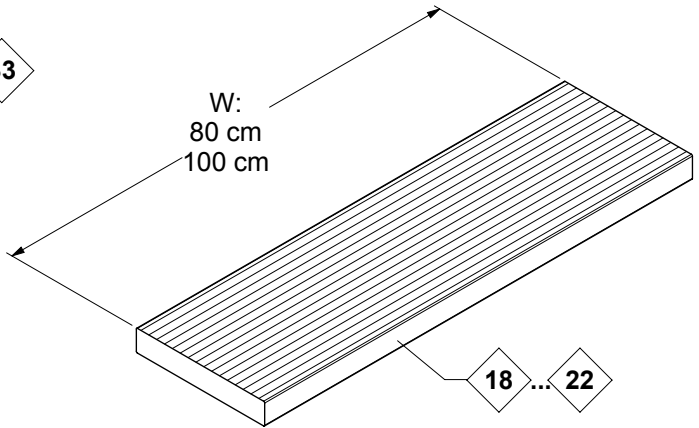
A



10 ... 33

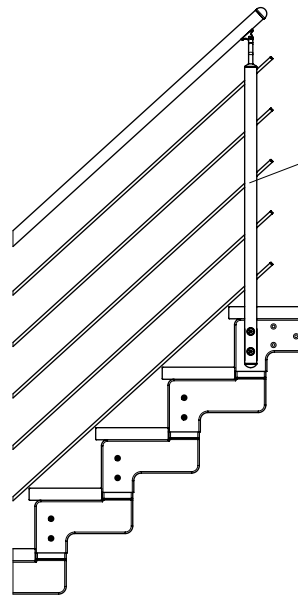
+

W:
80 cm
100 cm



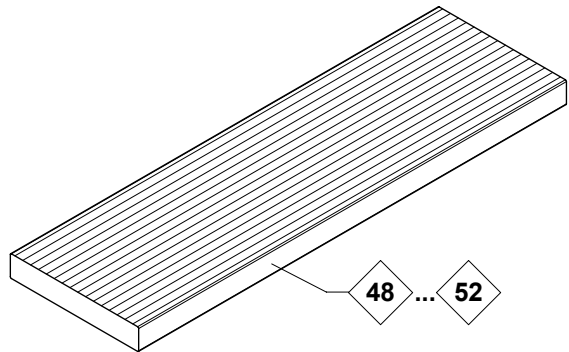
18 ... 22

B

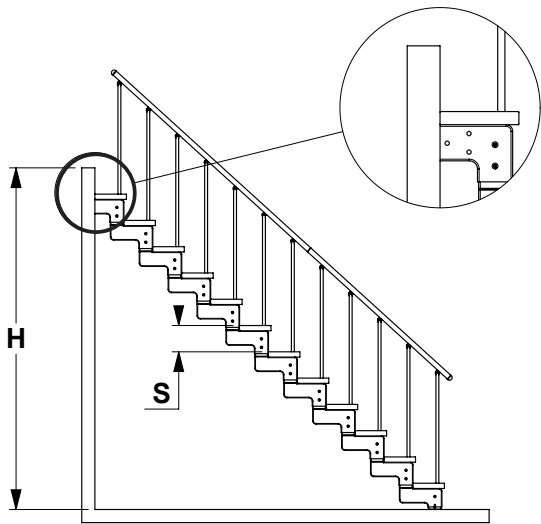


40 ... 61

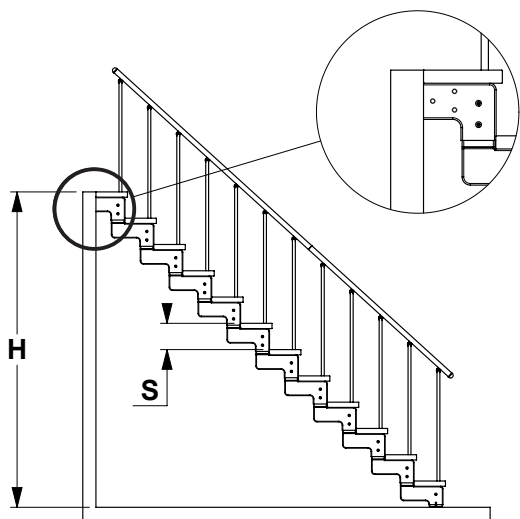
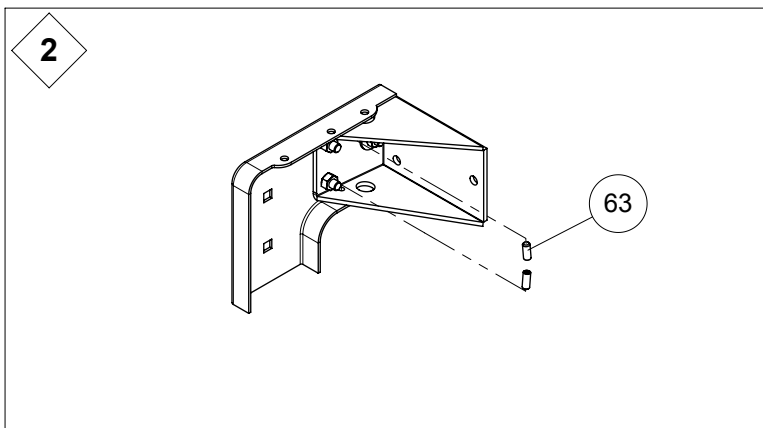
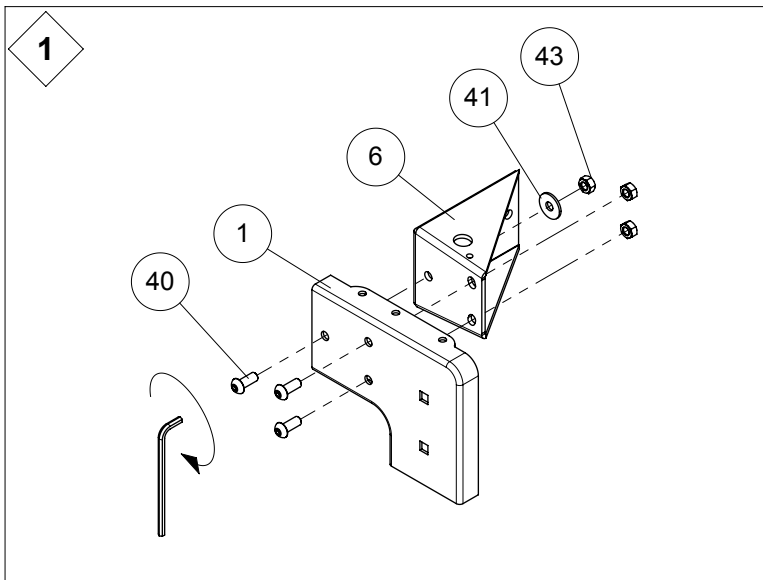
+



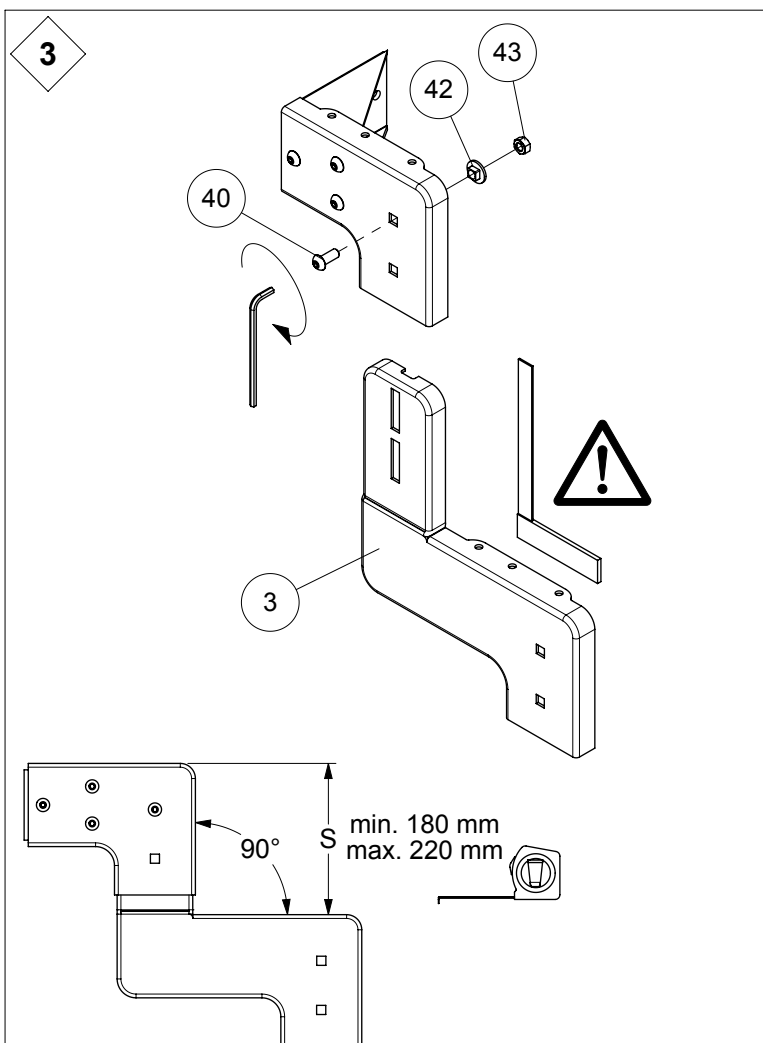
48 ... 52

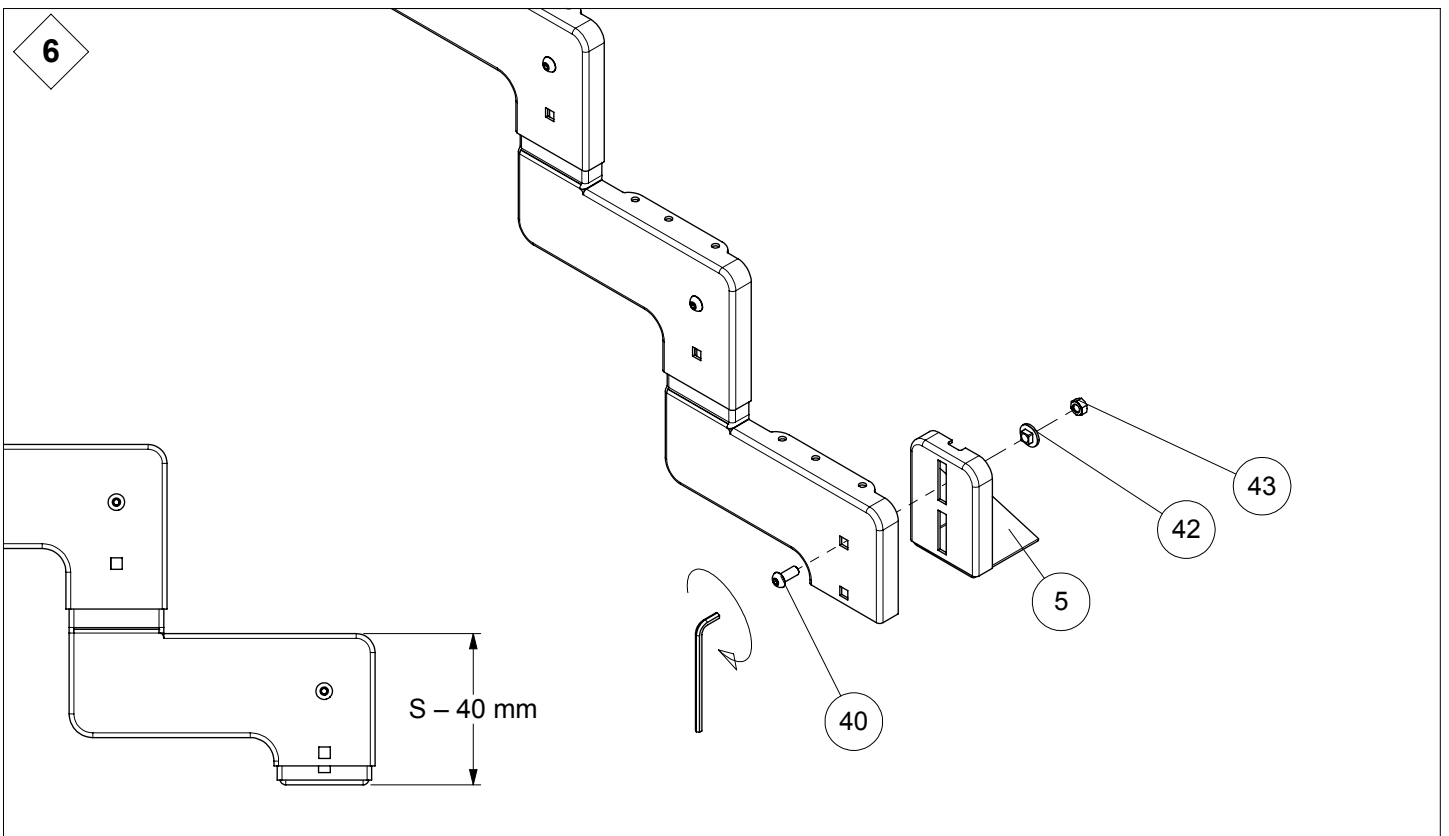
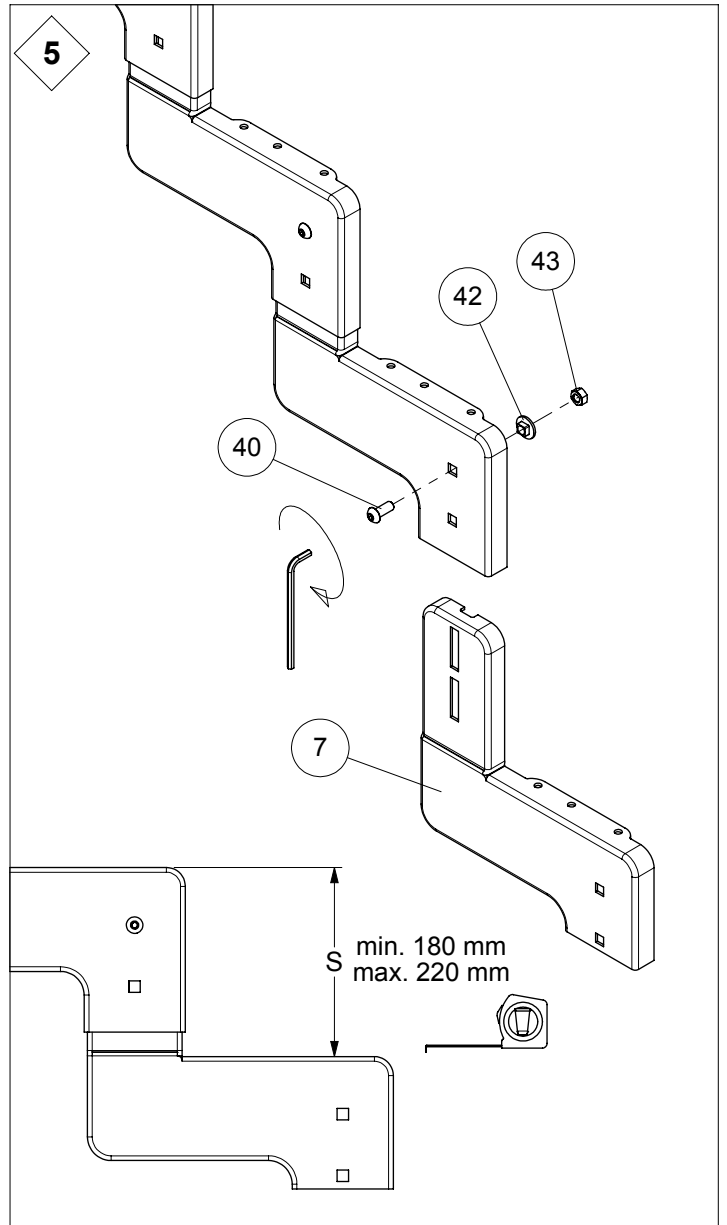
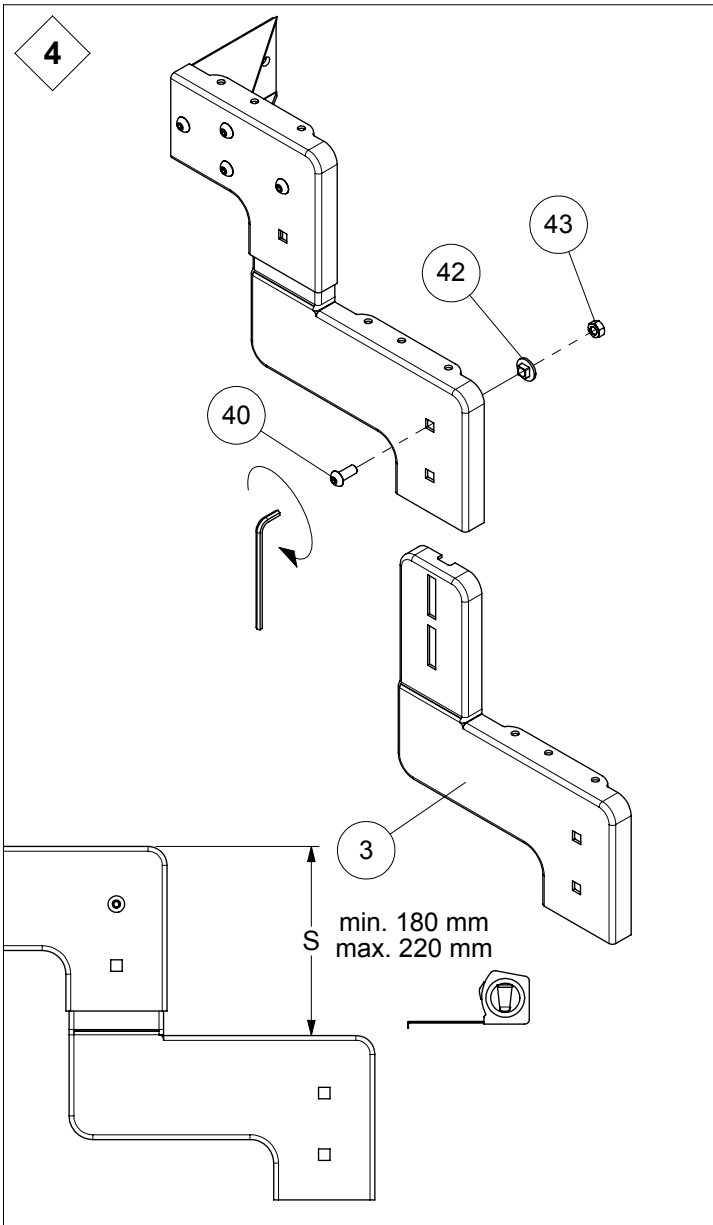


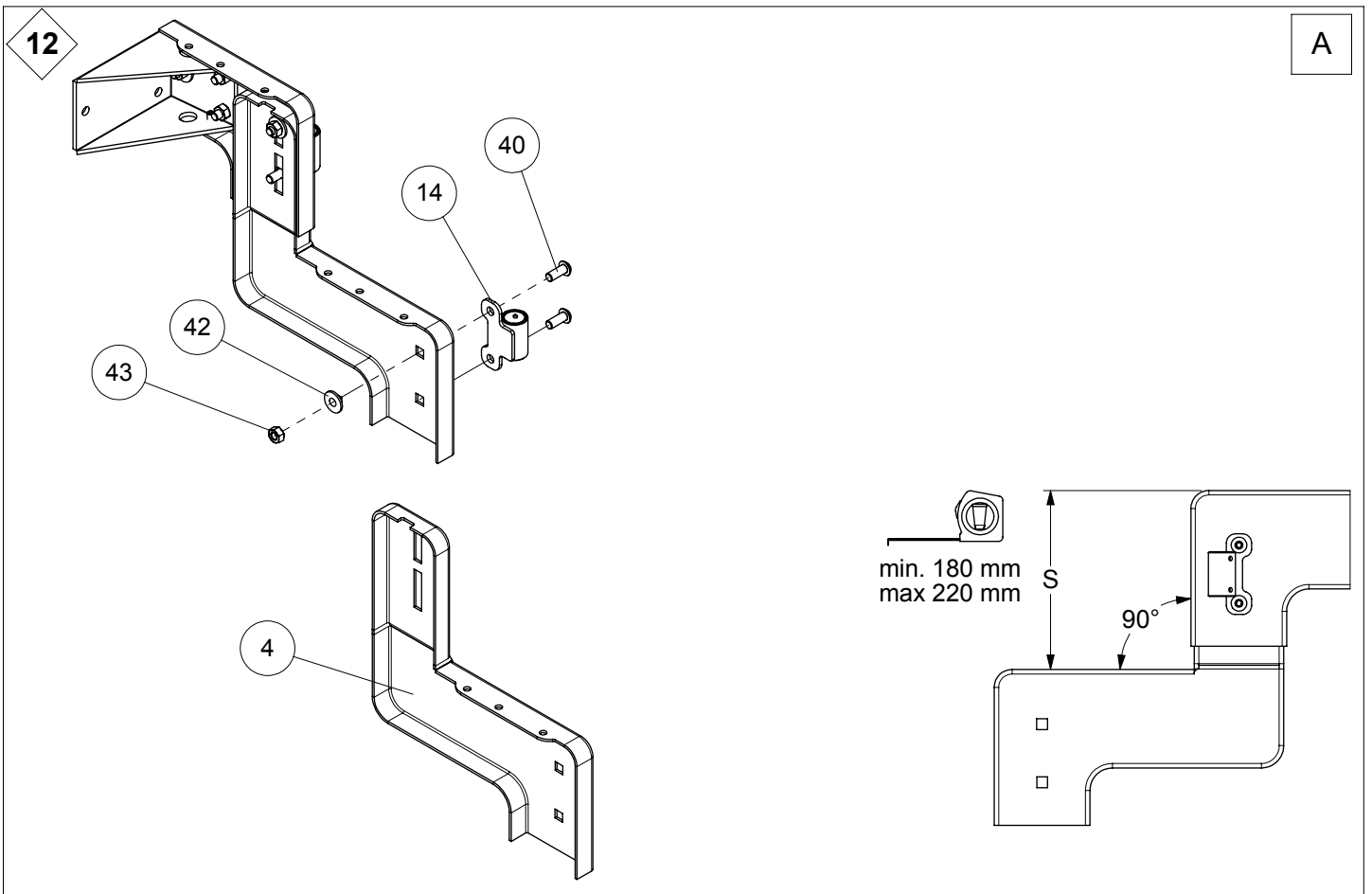
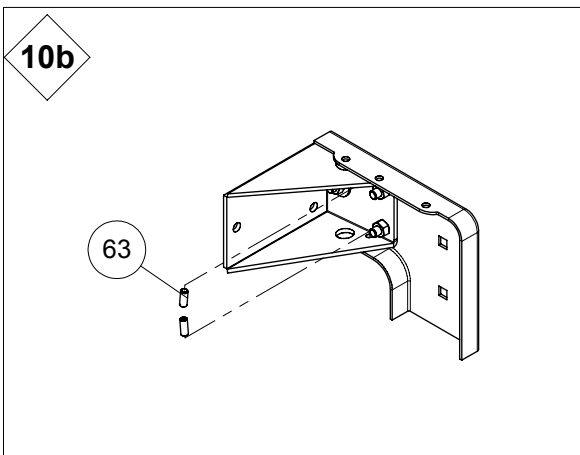
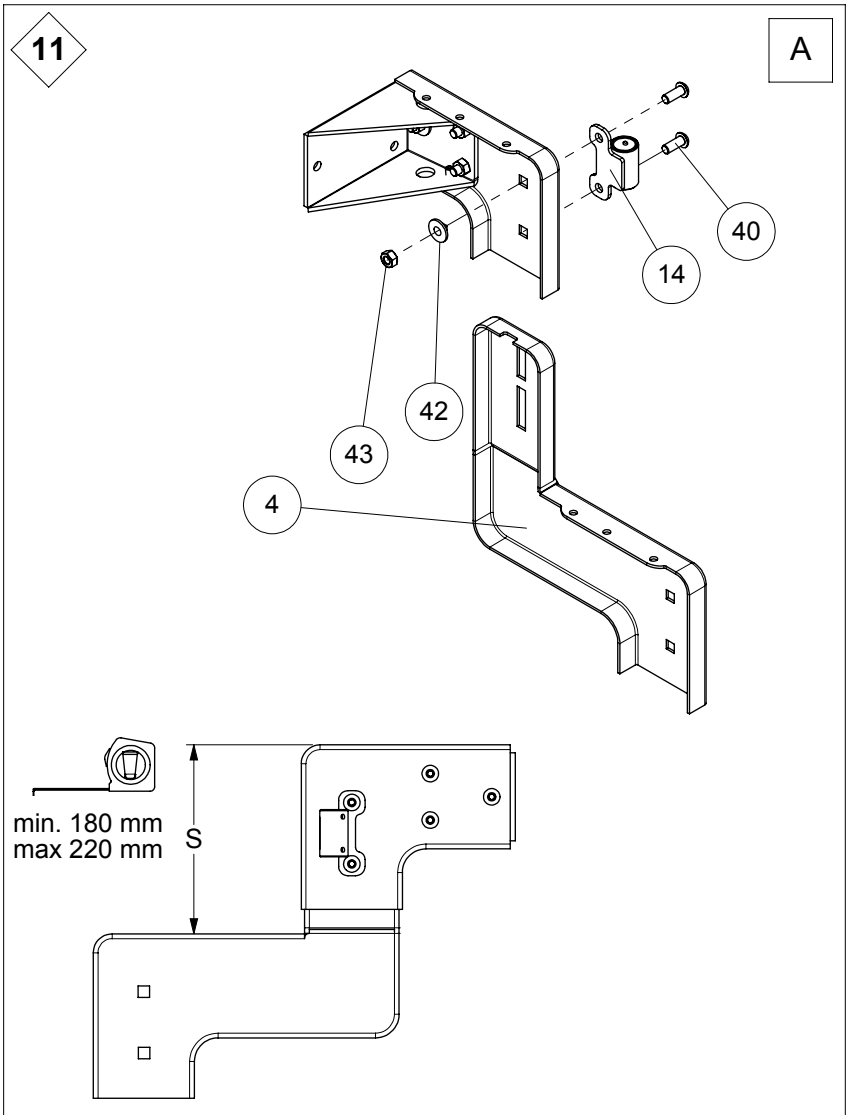
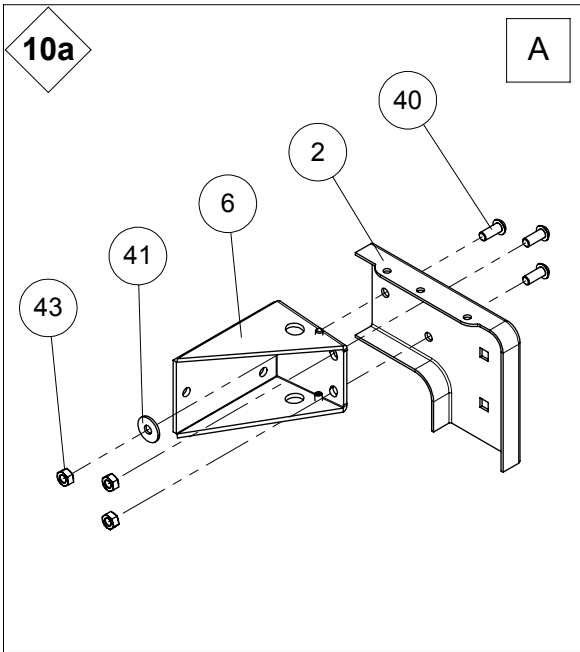
H	S				
	180	190	200	210	220
	mm	mm	mm	mm	mm
2	540	570	600	630	660
3	720	760	800	840	880
4	900	950	1000	1050	1100
5	1080	1140	1200	1260	1320
6	1260	1330	1400	1470	1540
7	1440	1520	1600	1680	1760
8	1620	1710	1800	1890	1980
9	1800	1900	2000	2100	2200
10	1980	2090	2200	2310	2420
11	2160	2280	2400	2520	2640
12	2340	2470	2600	2730	2860



H	S				
	180	190	200	210	220
	mm	mm	mm	mm	mm
2	360	380	400	420	440
3	540	570	600	630	660
4	720	760	800	840	880
5	900	950	1000	1050	1100
6	1080	1140	1200	1260	1320
7	1260	1330	1400	1470	1540
8	1440	1520	1600	1680	1760
9	1620	1710	1800	1890	1980
10	1800	1900	2000	2100	2200
11	1980	2090	2200	2310	2420
12	2160	2280	2400	2520	2640

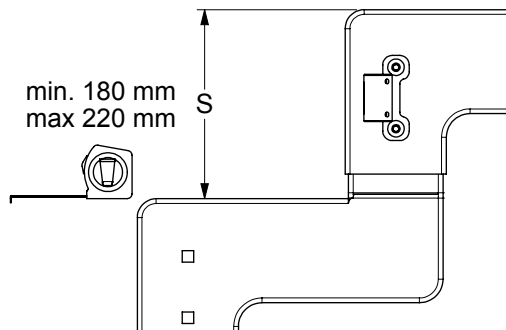
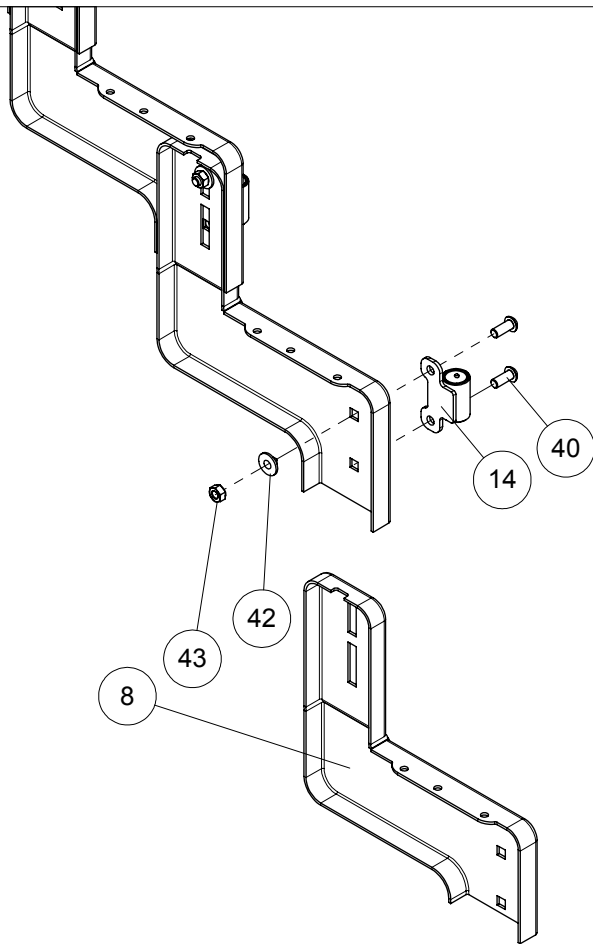






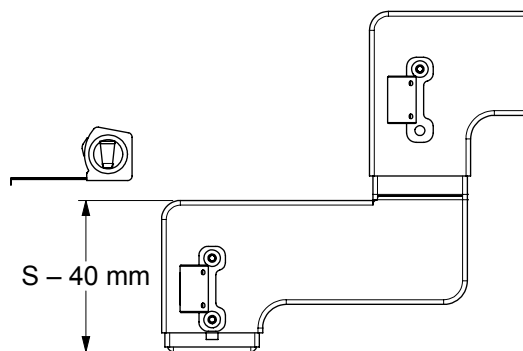
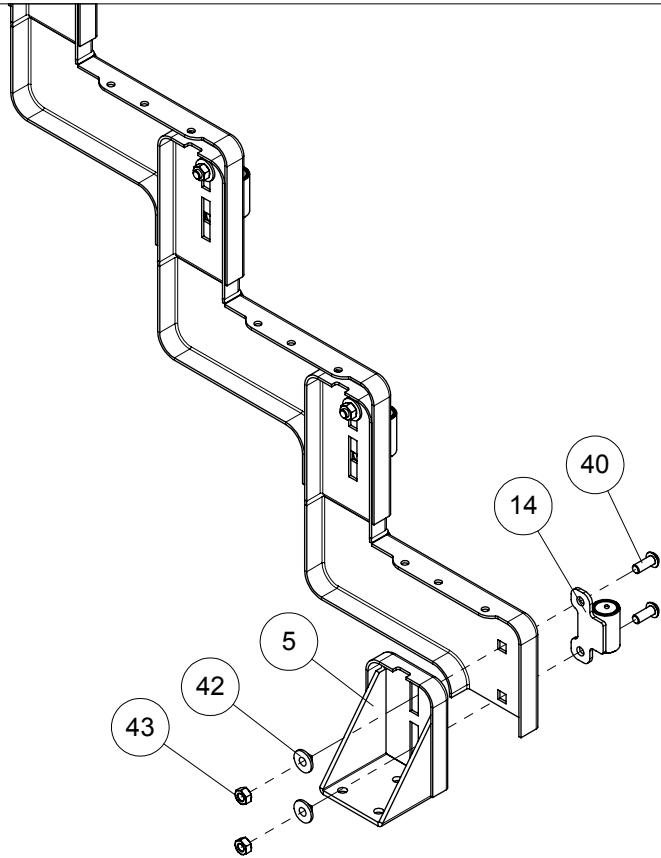
13

A



14

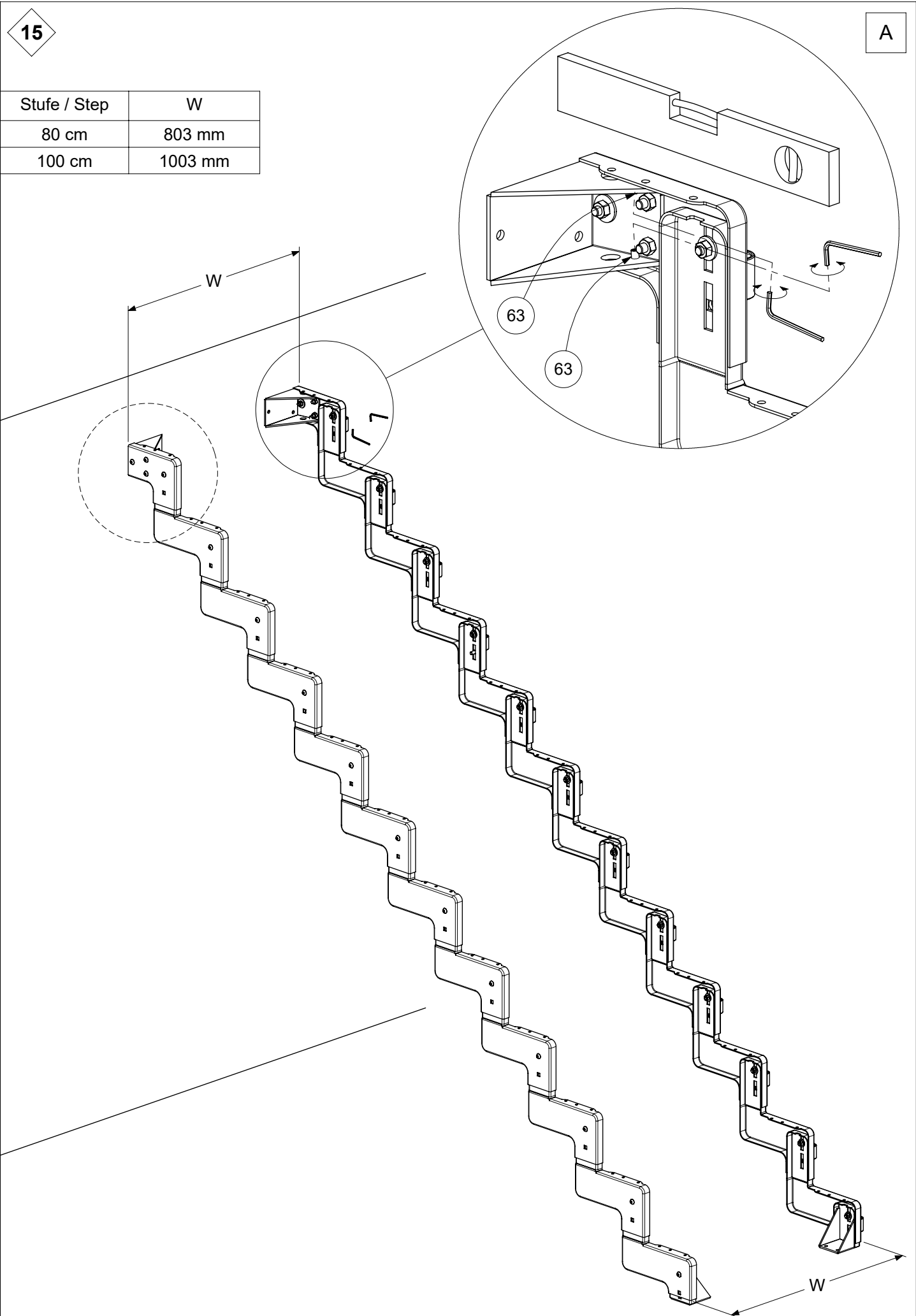
A

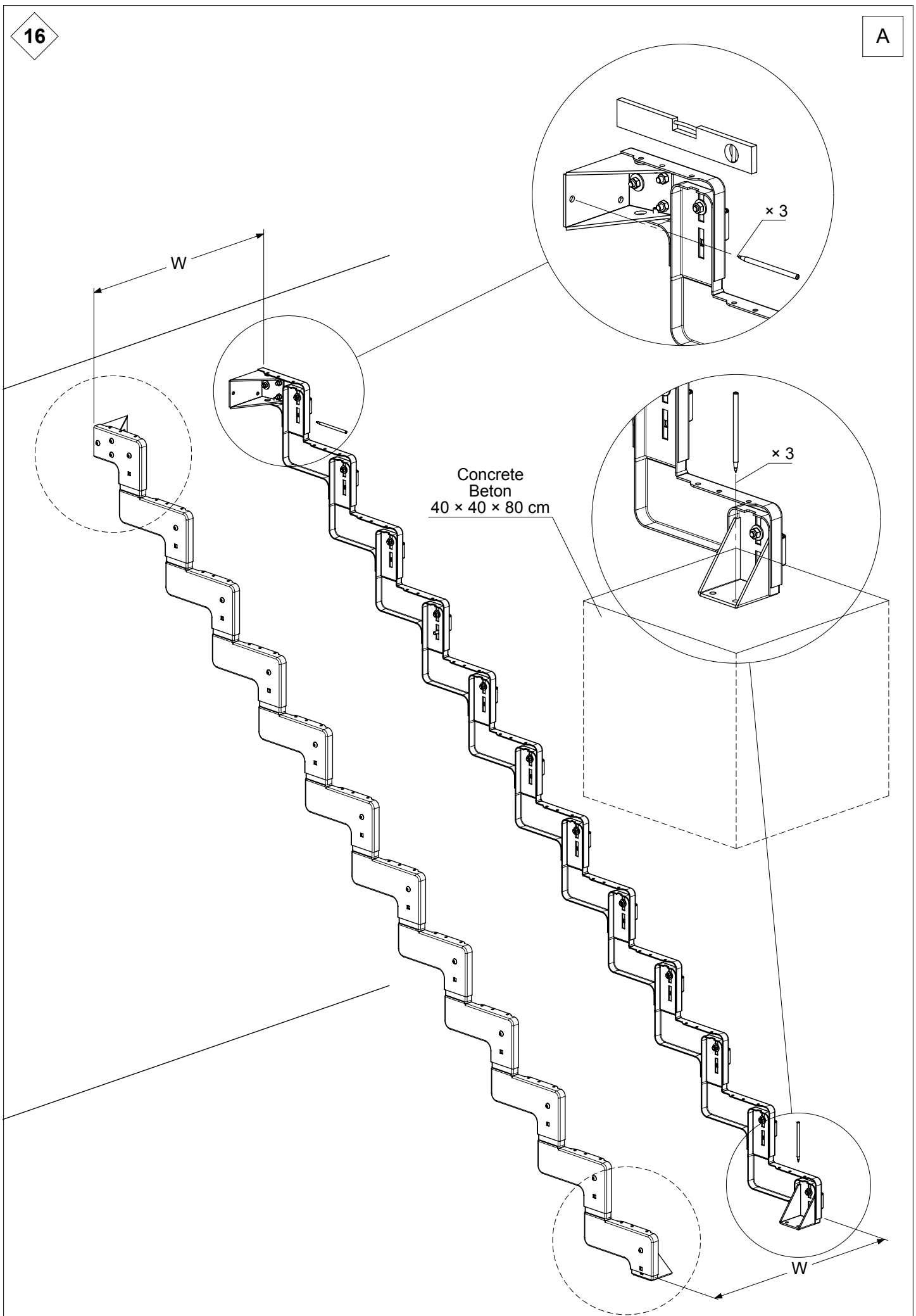


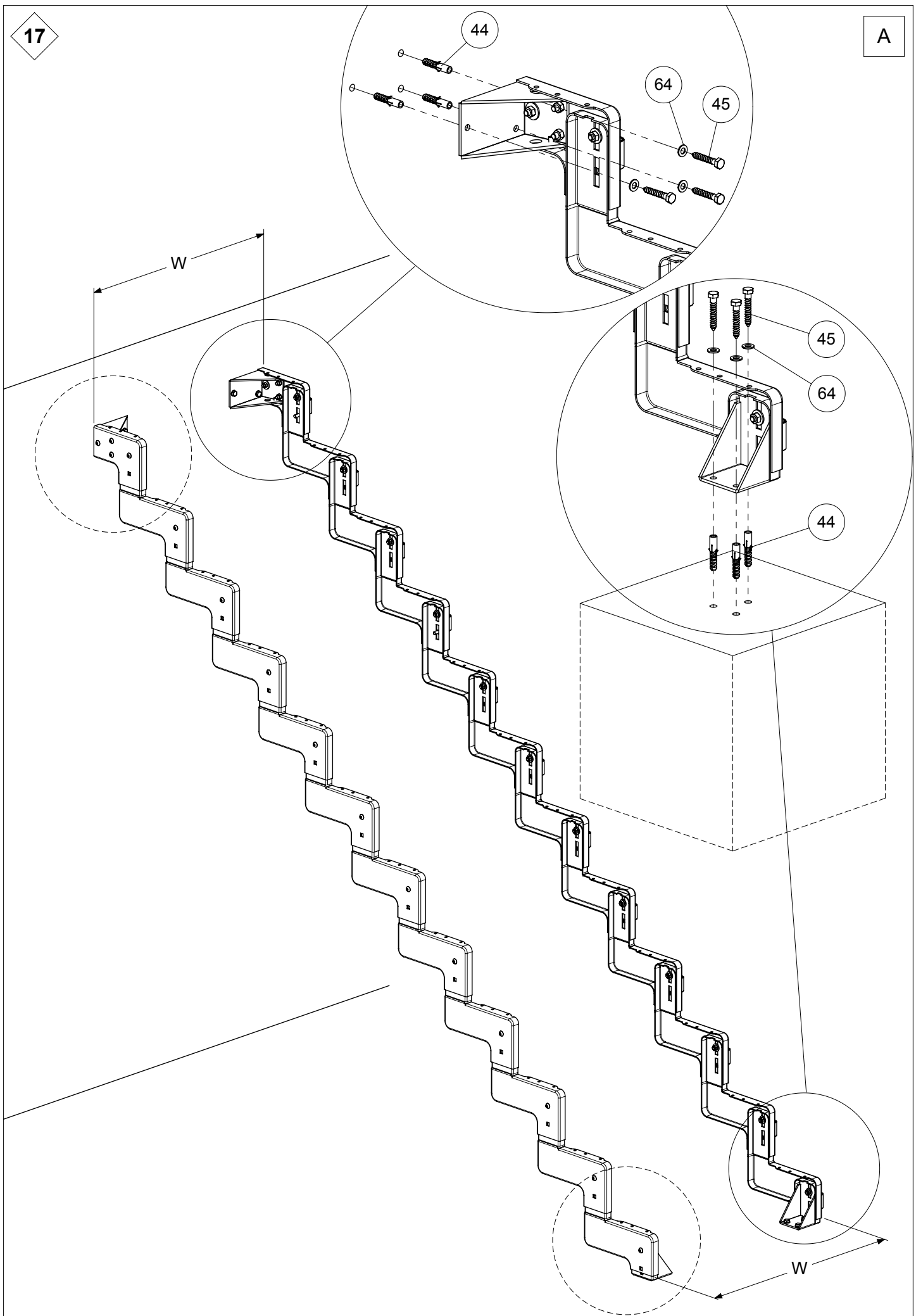
15

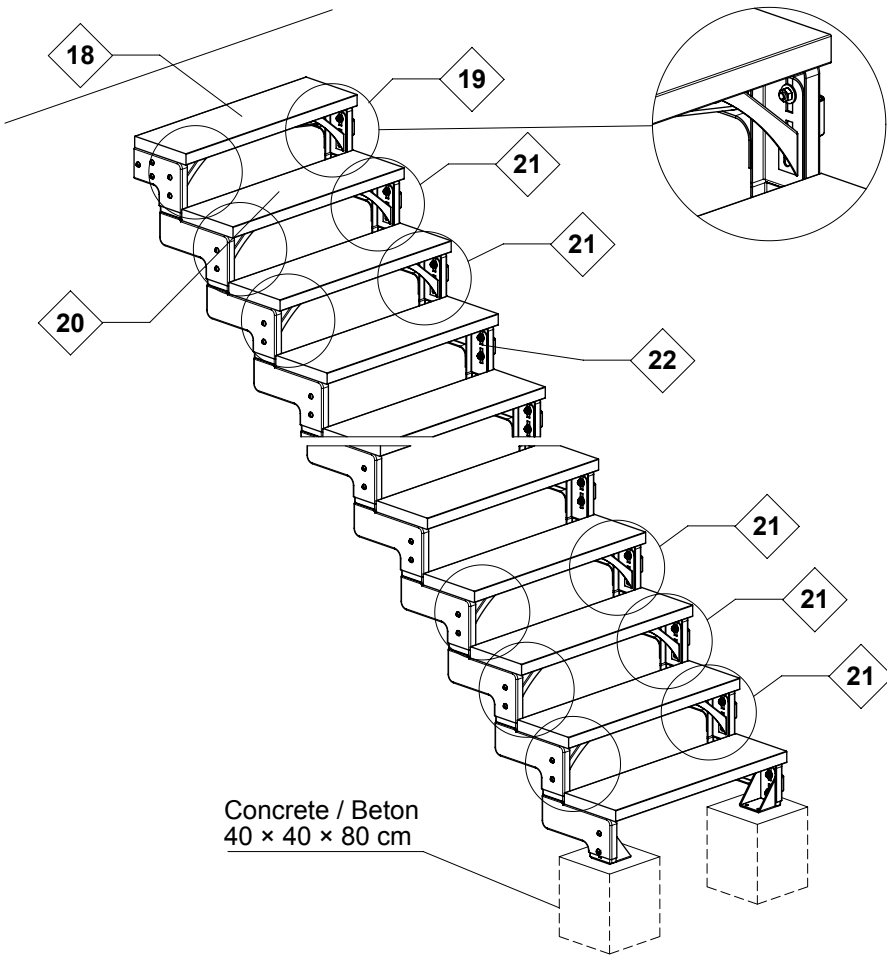
A


Stufe / Step	W
80 cm	803 mm
100 cm	1003 mm

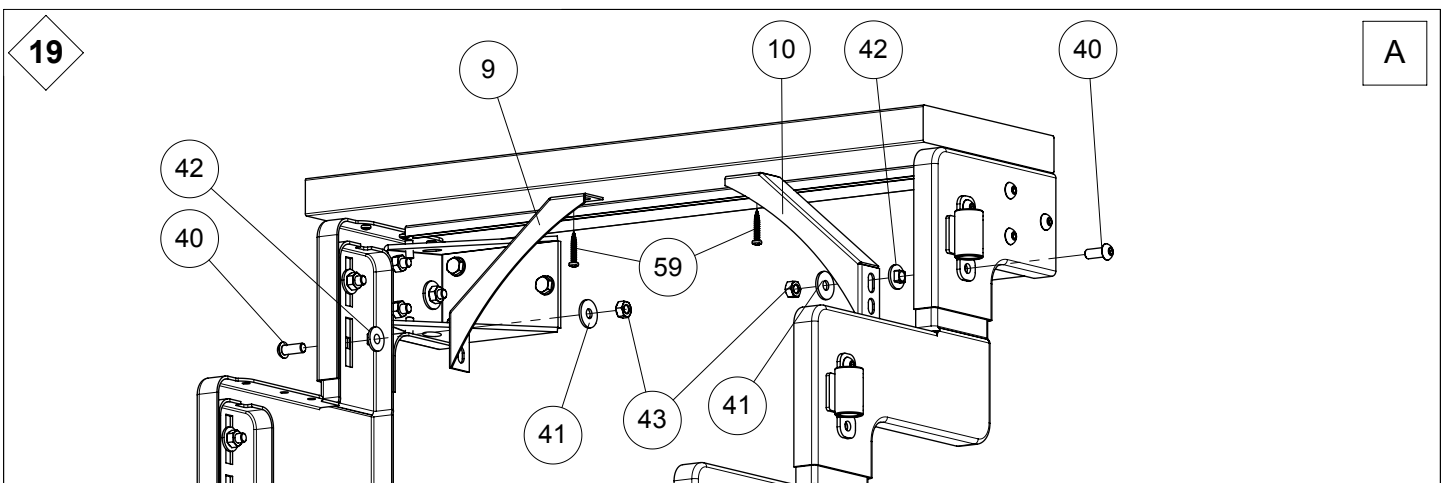
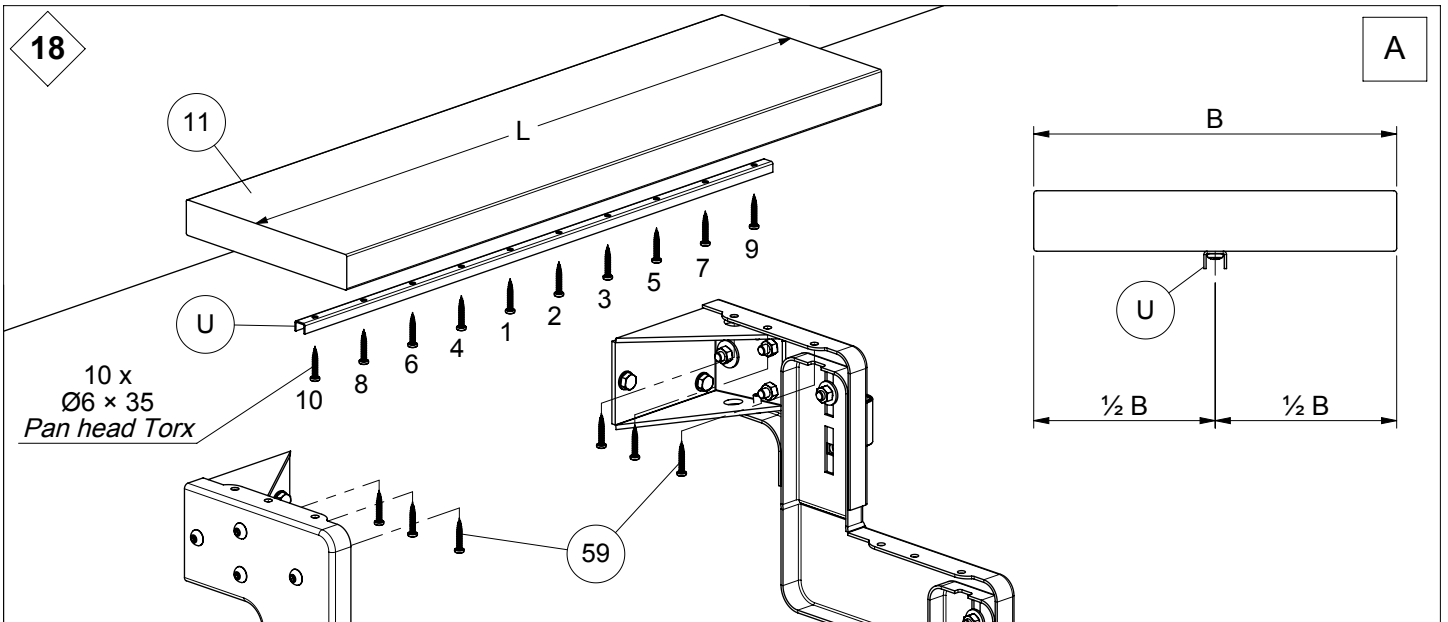
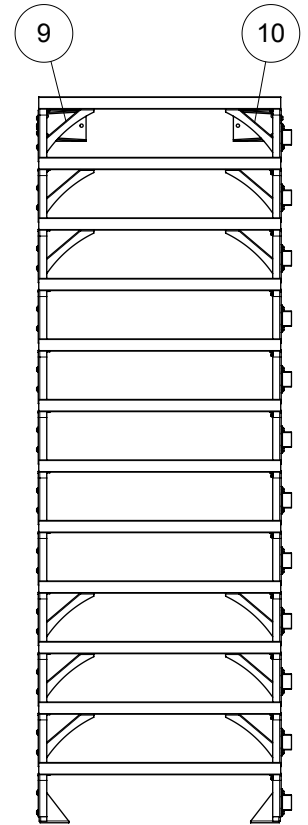






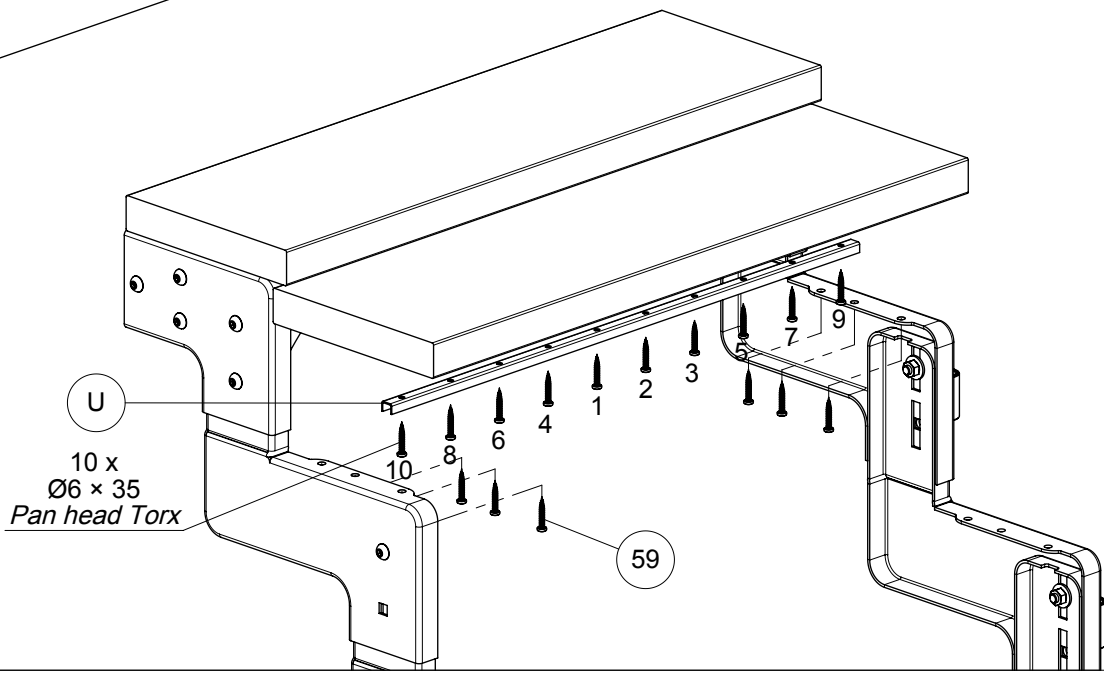



 If more than
6 steps:
Add
 (9) + (10)
 Wenn mehr als
6 Stufen:
 (9) + (10)
 hinzufügen



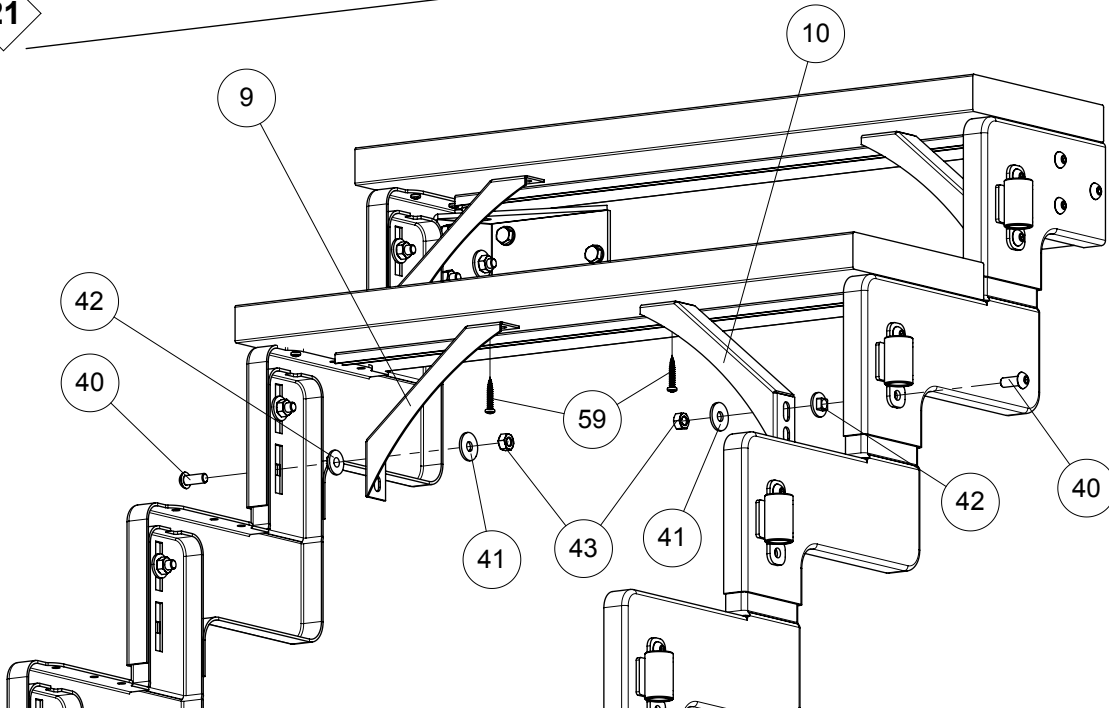
20

A



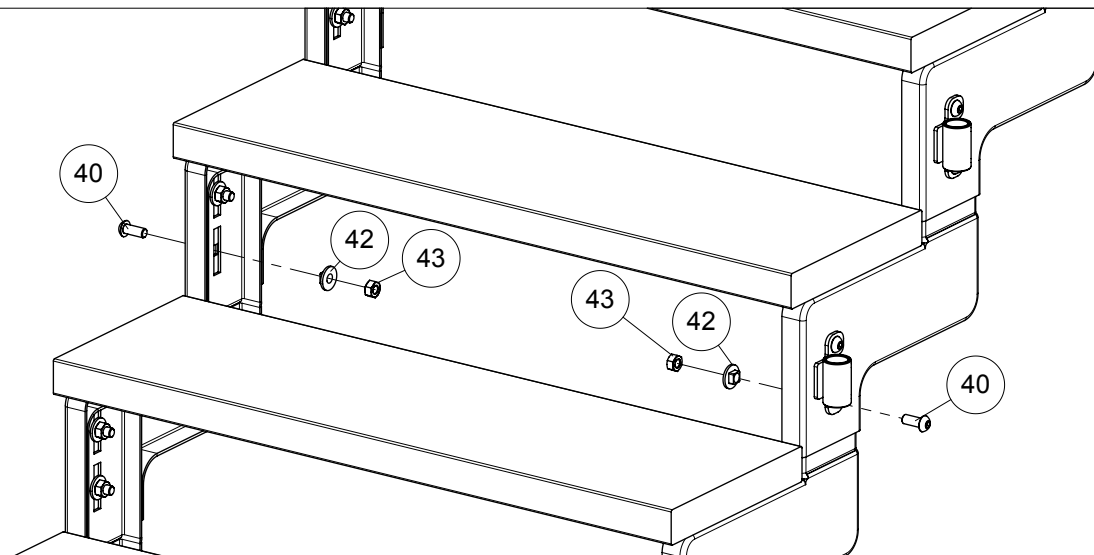
21

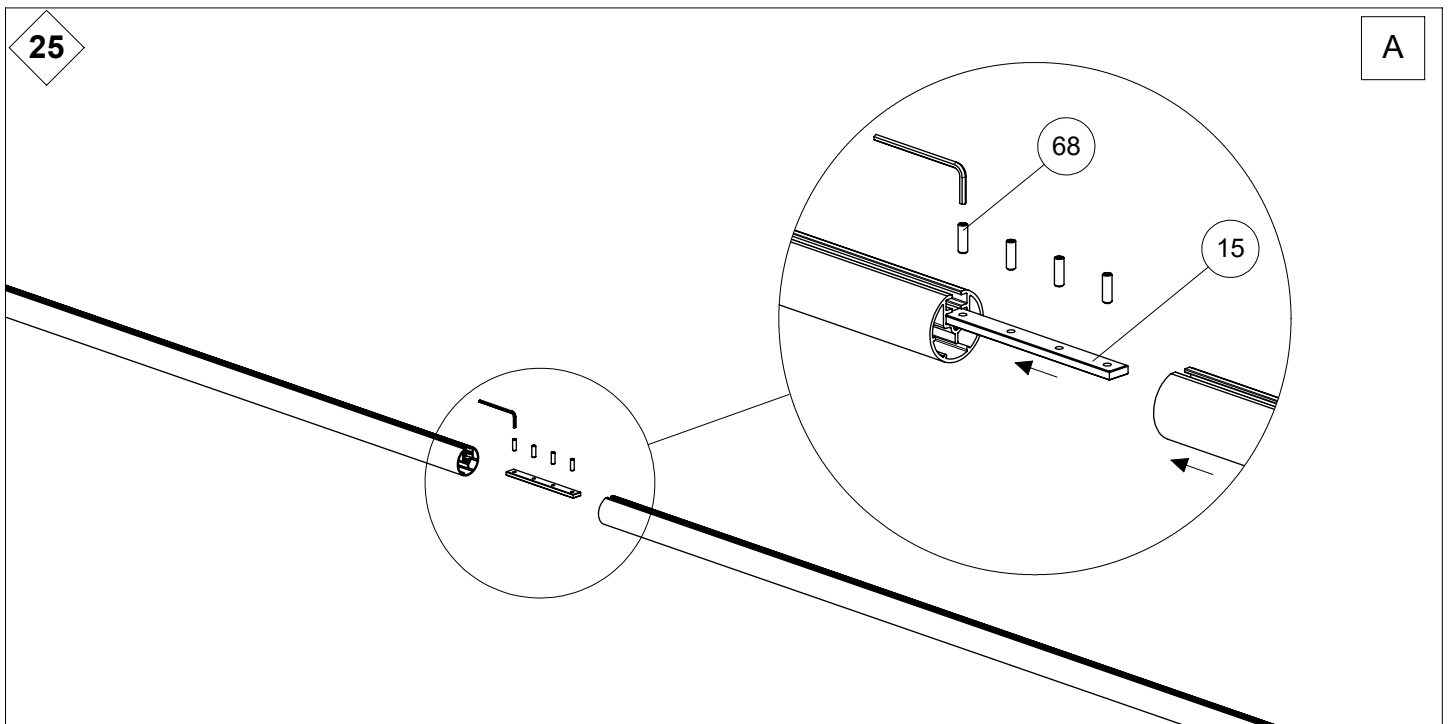
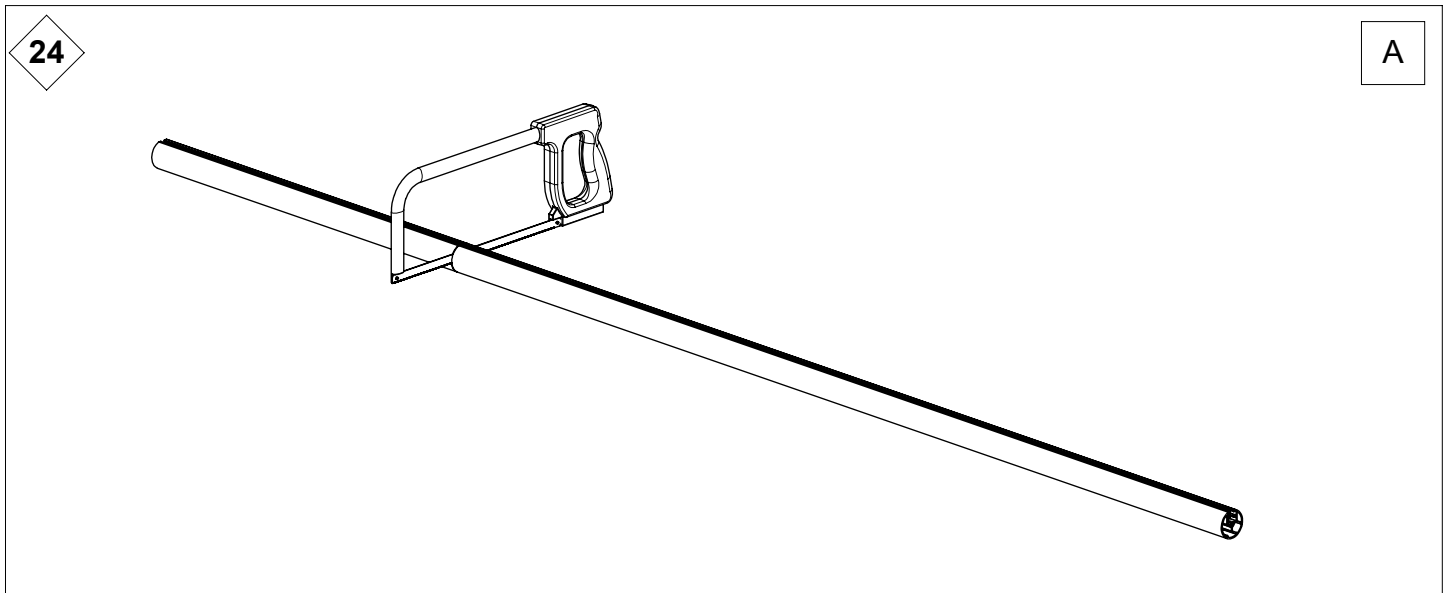
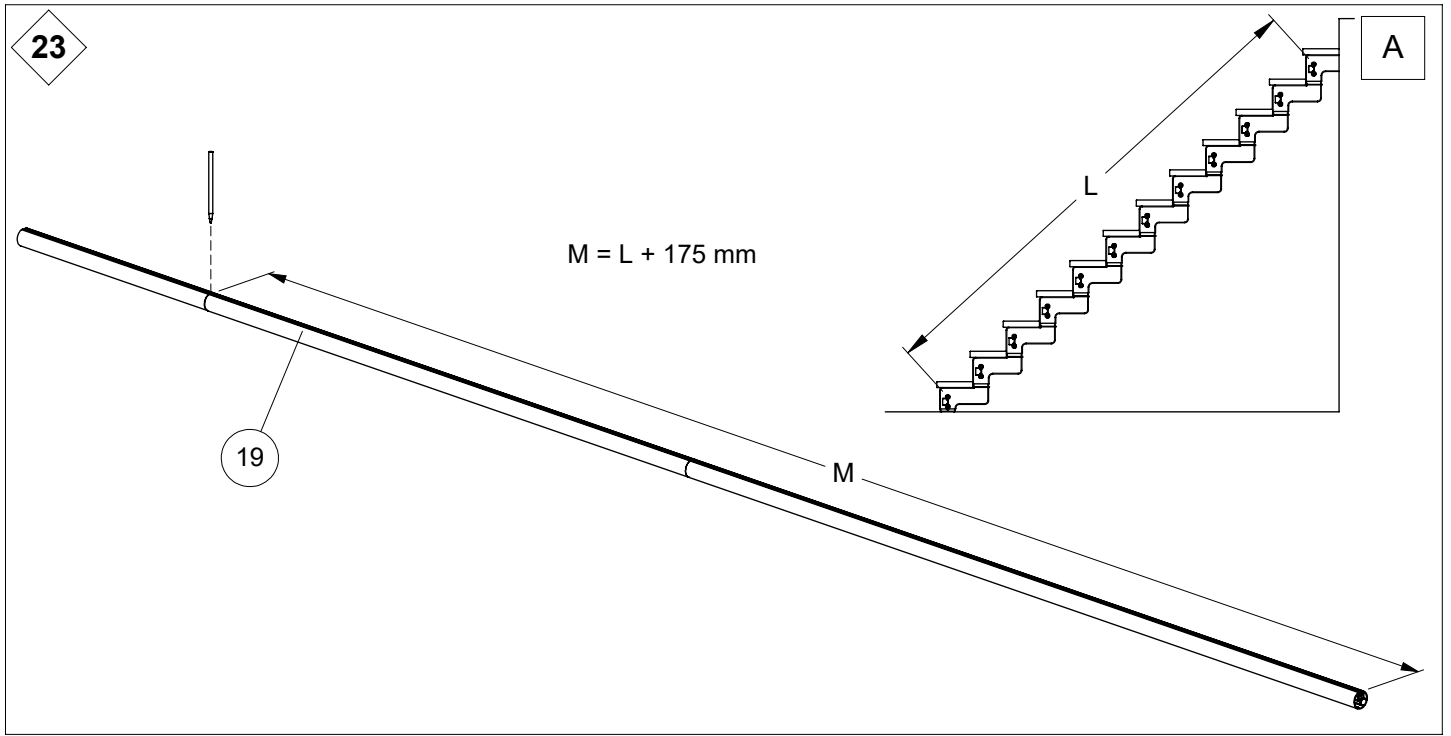
A

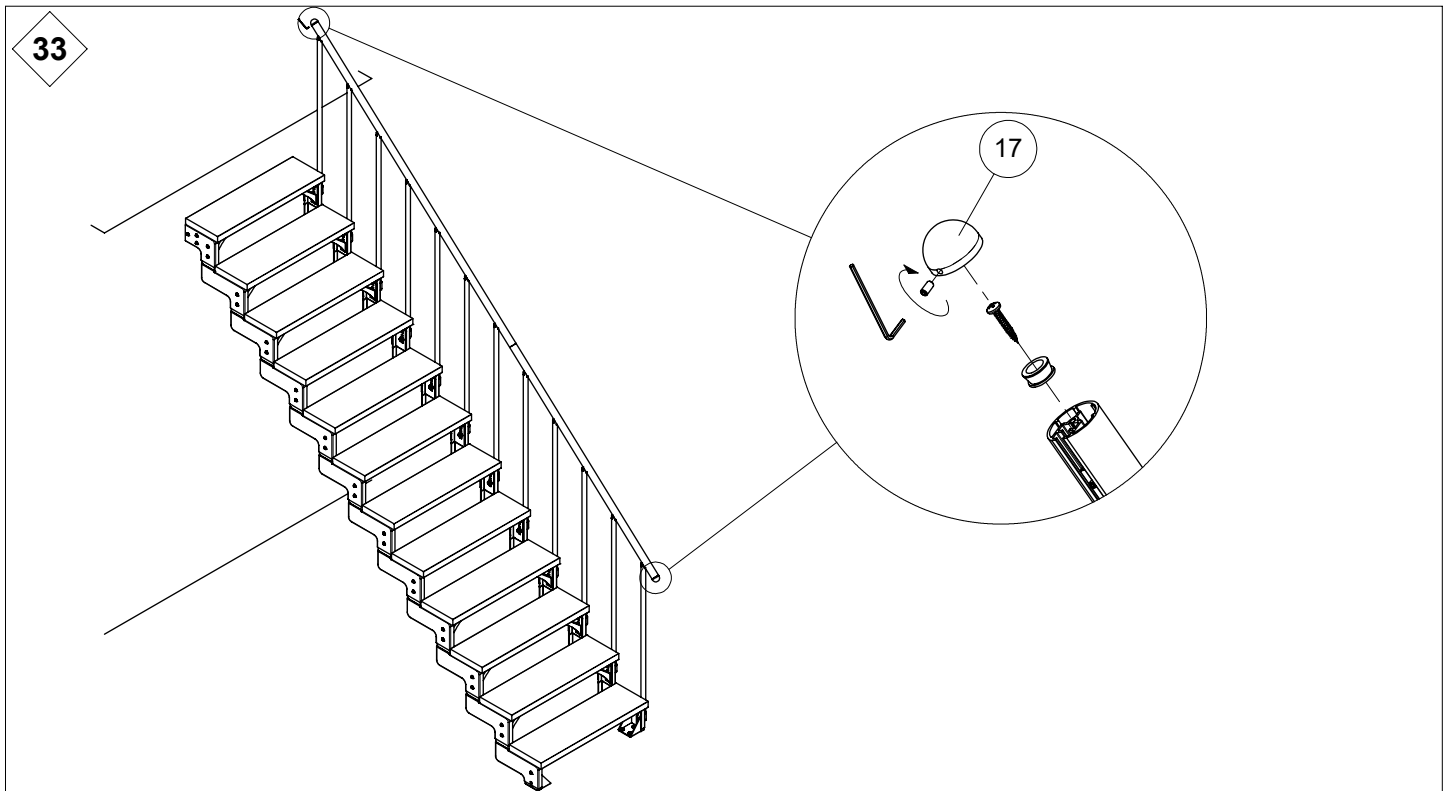
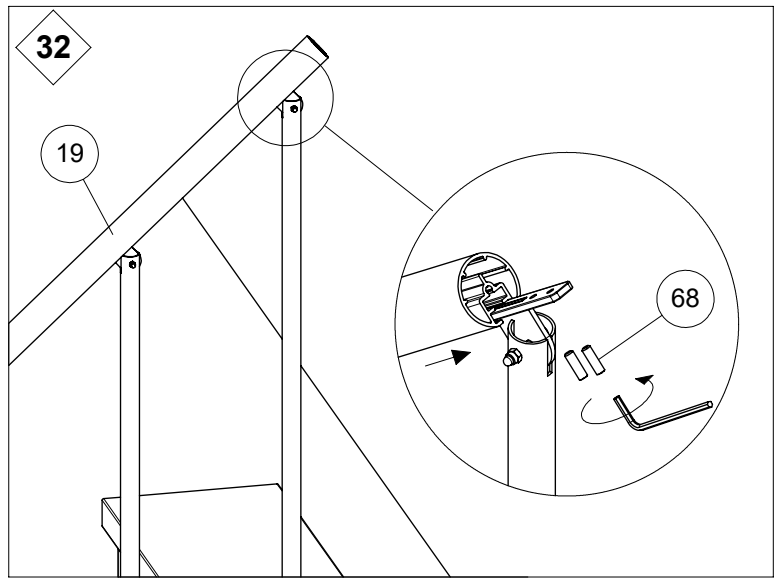
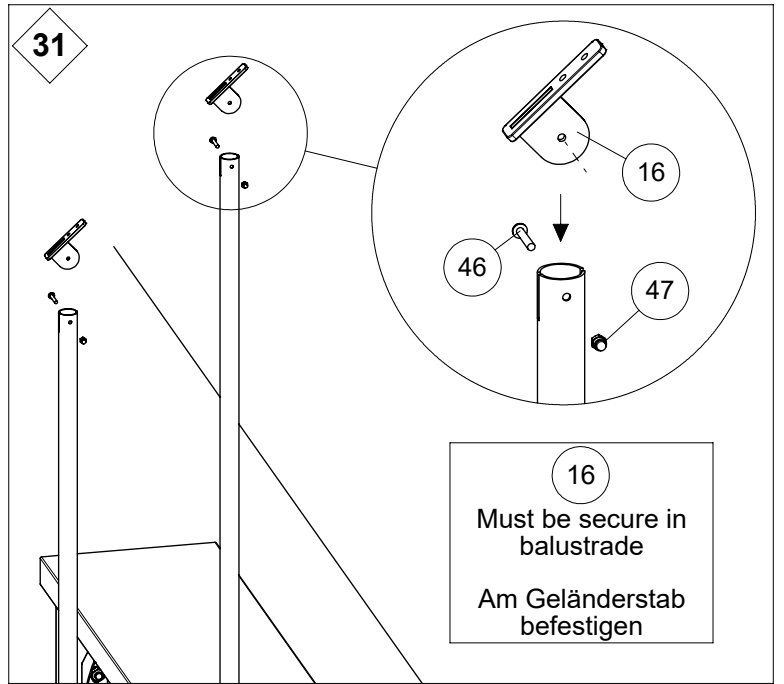
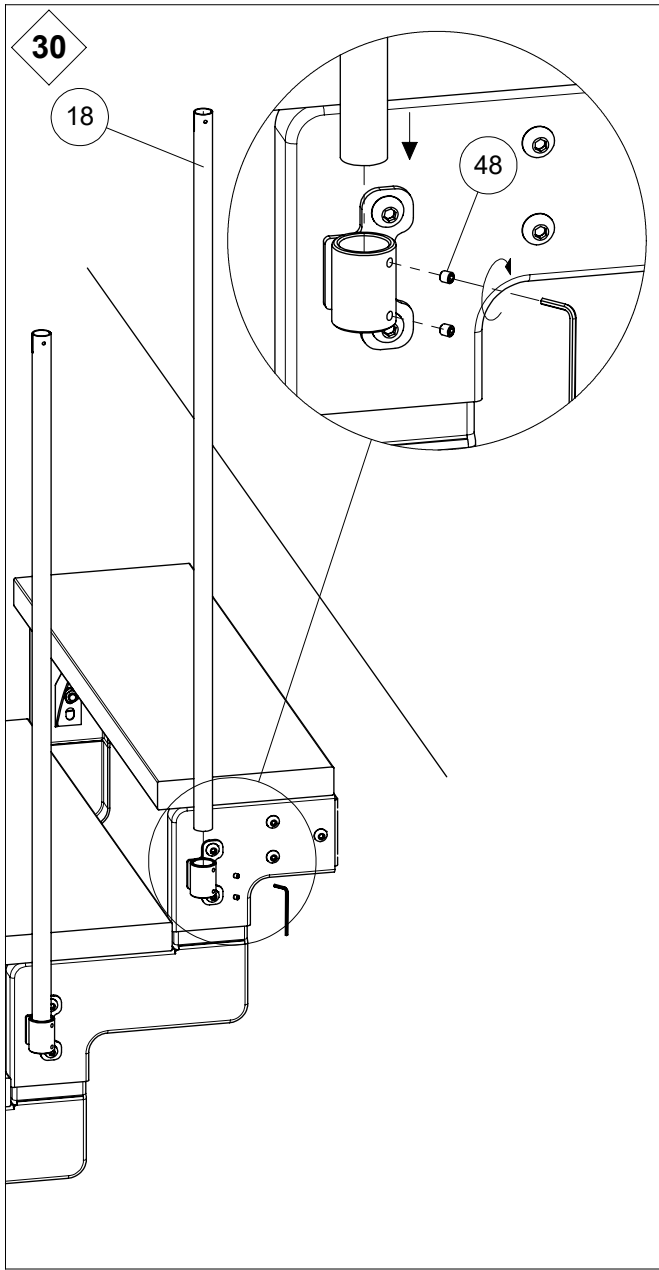


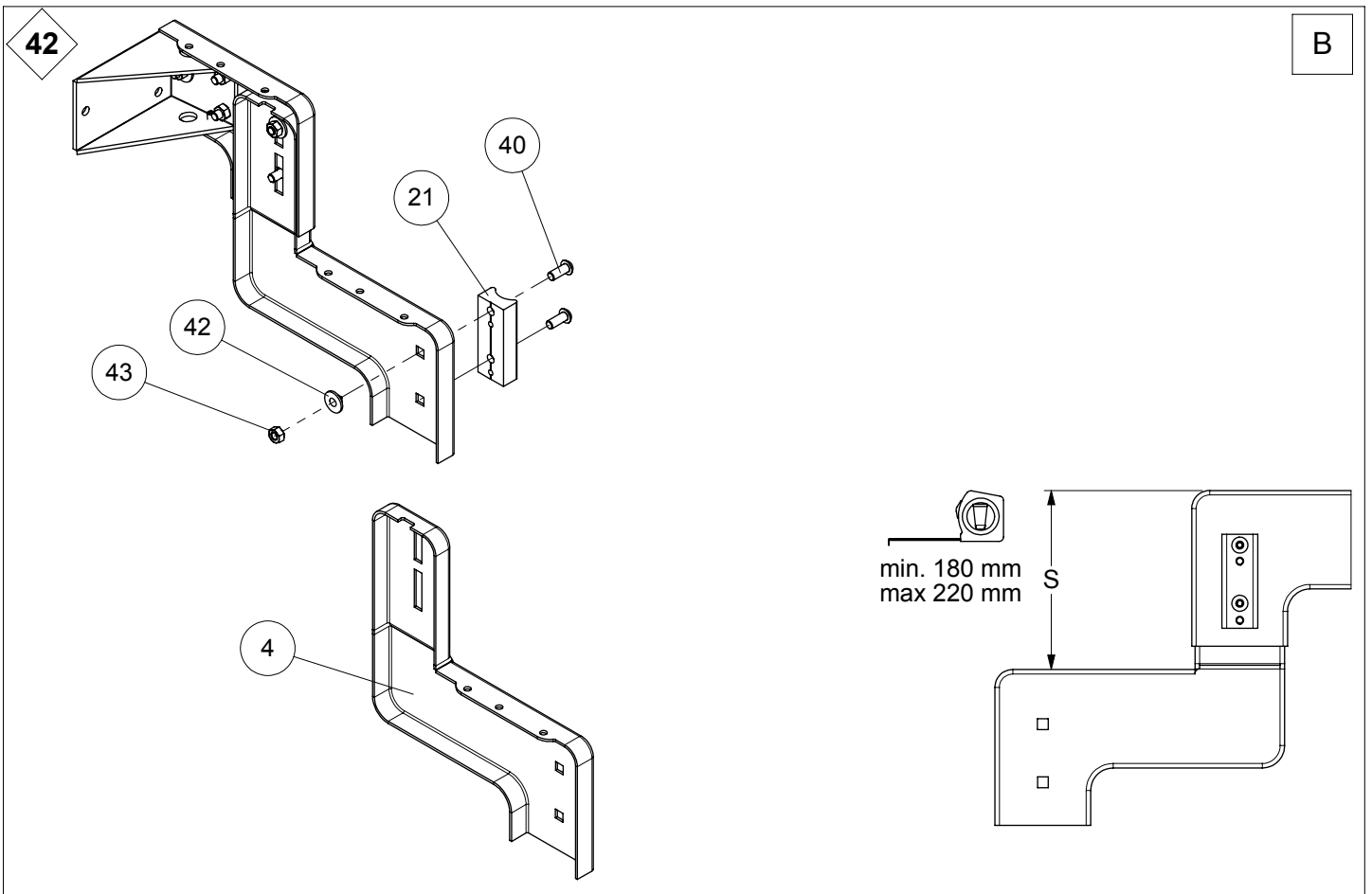
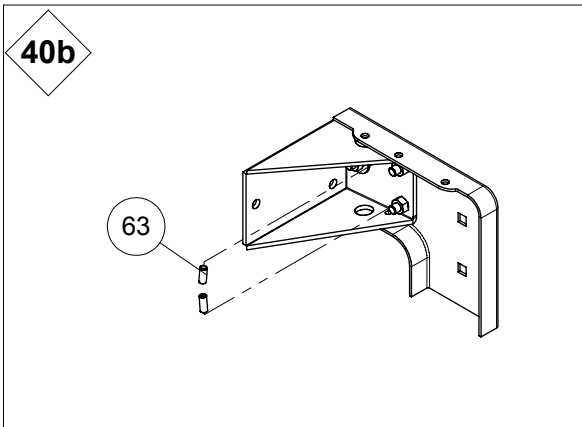
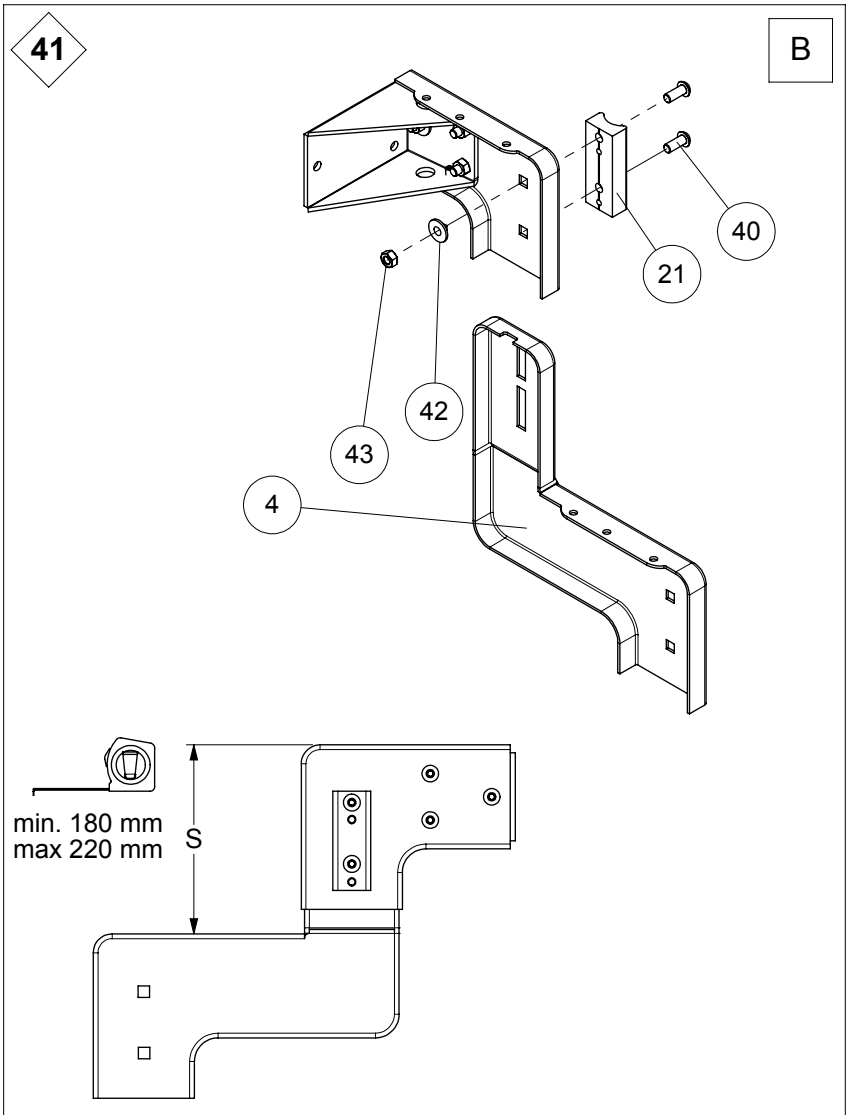
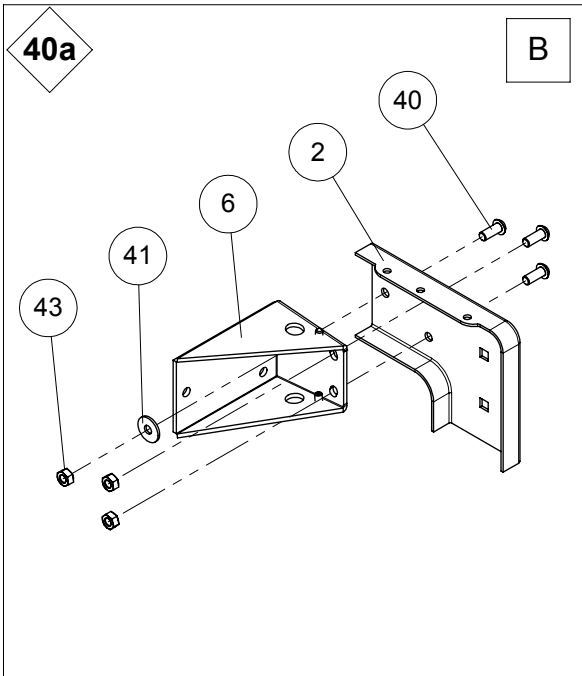
22

A



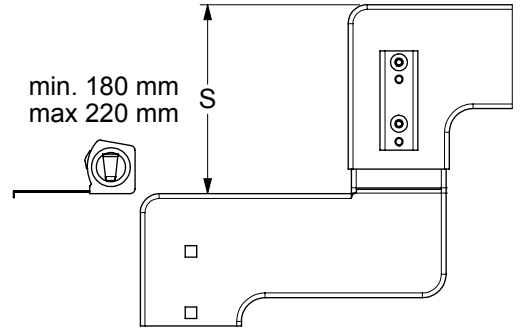
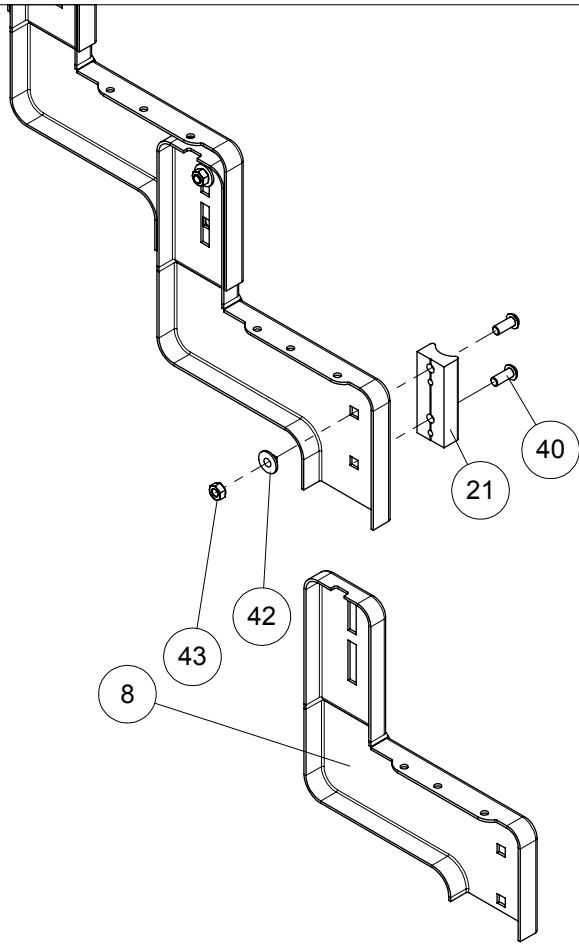






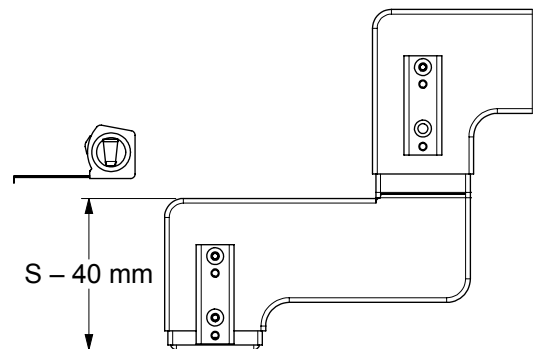
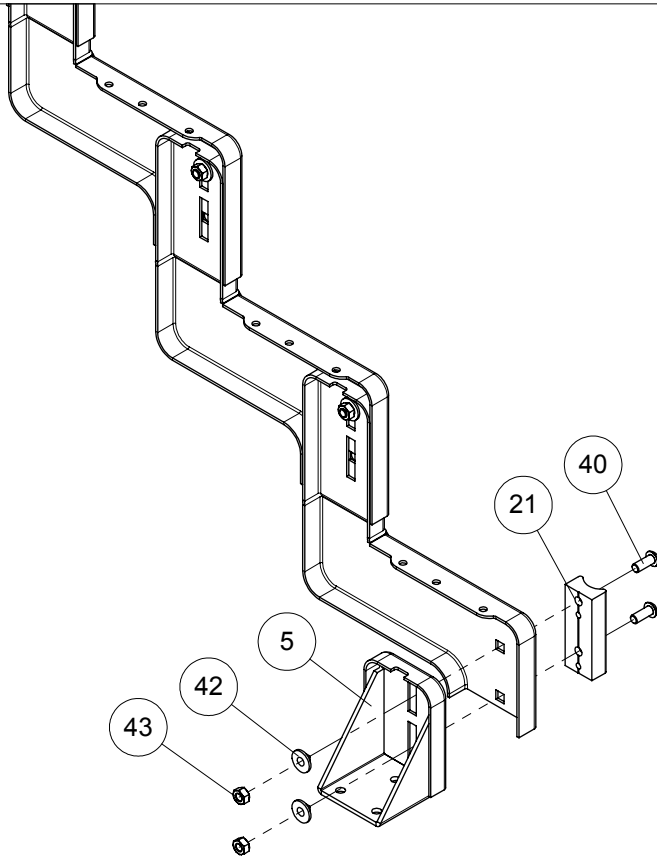
43

B



44

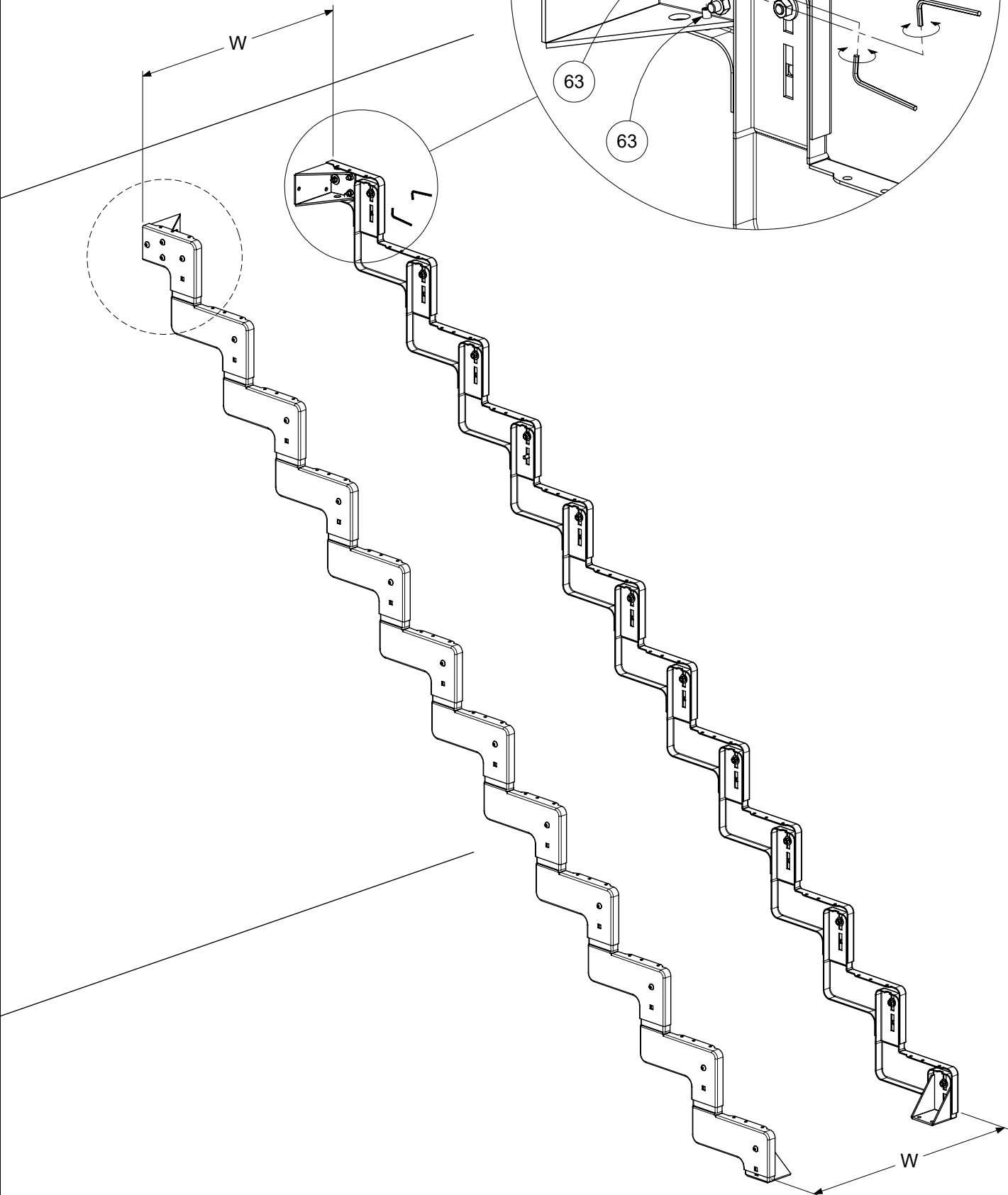
B

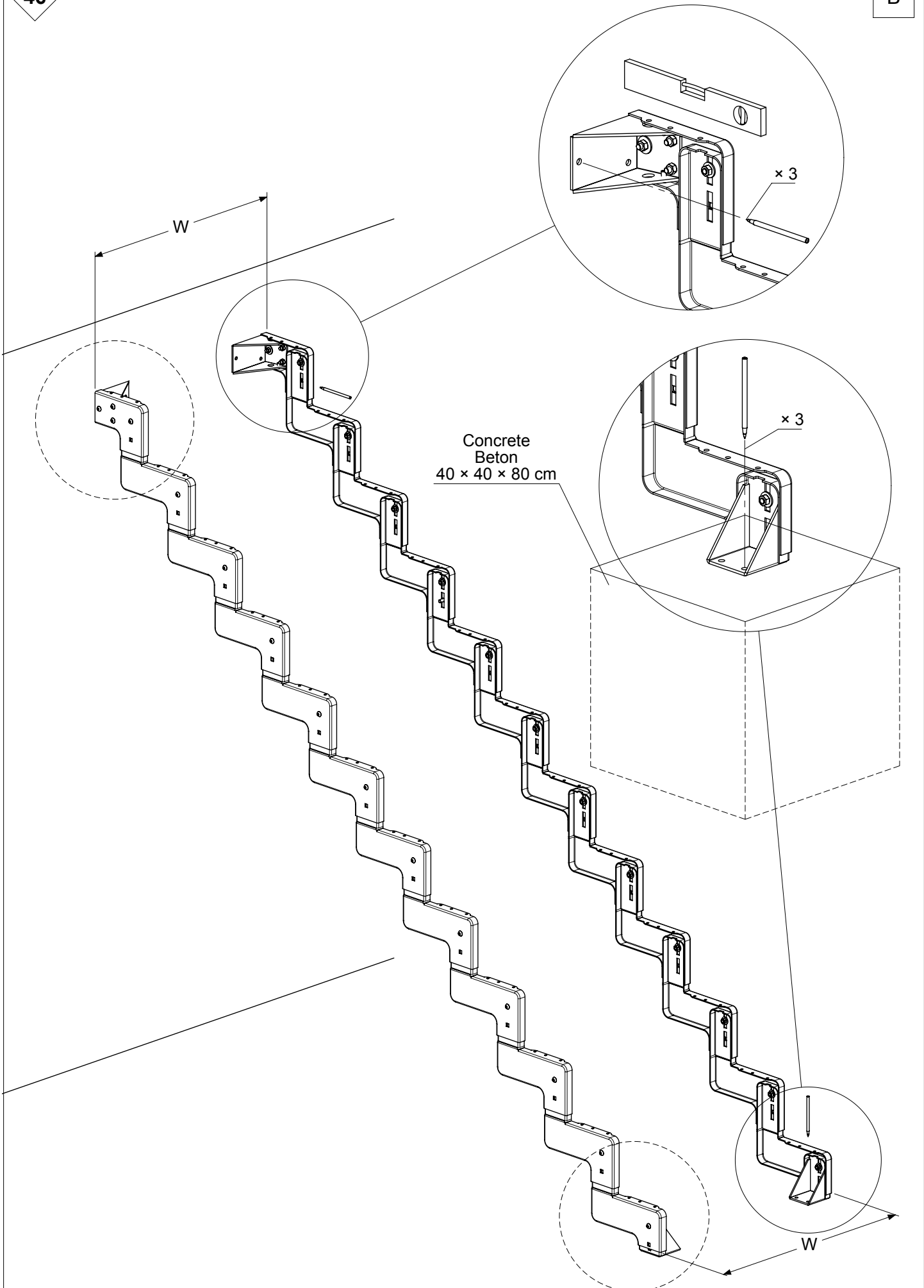


45

B

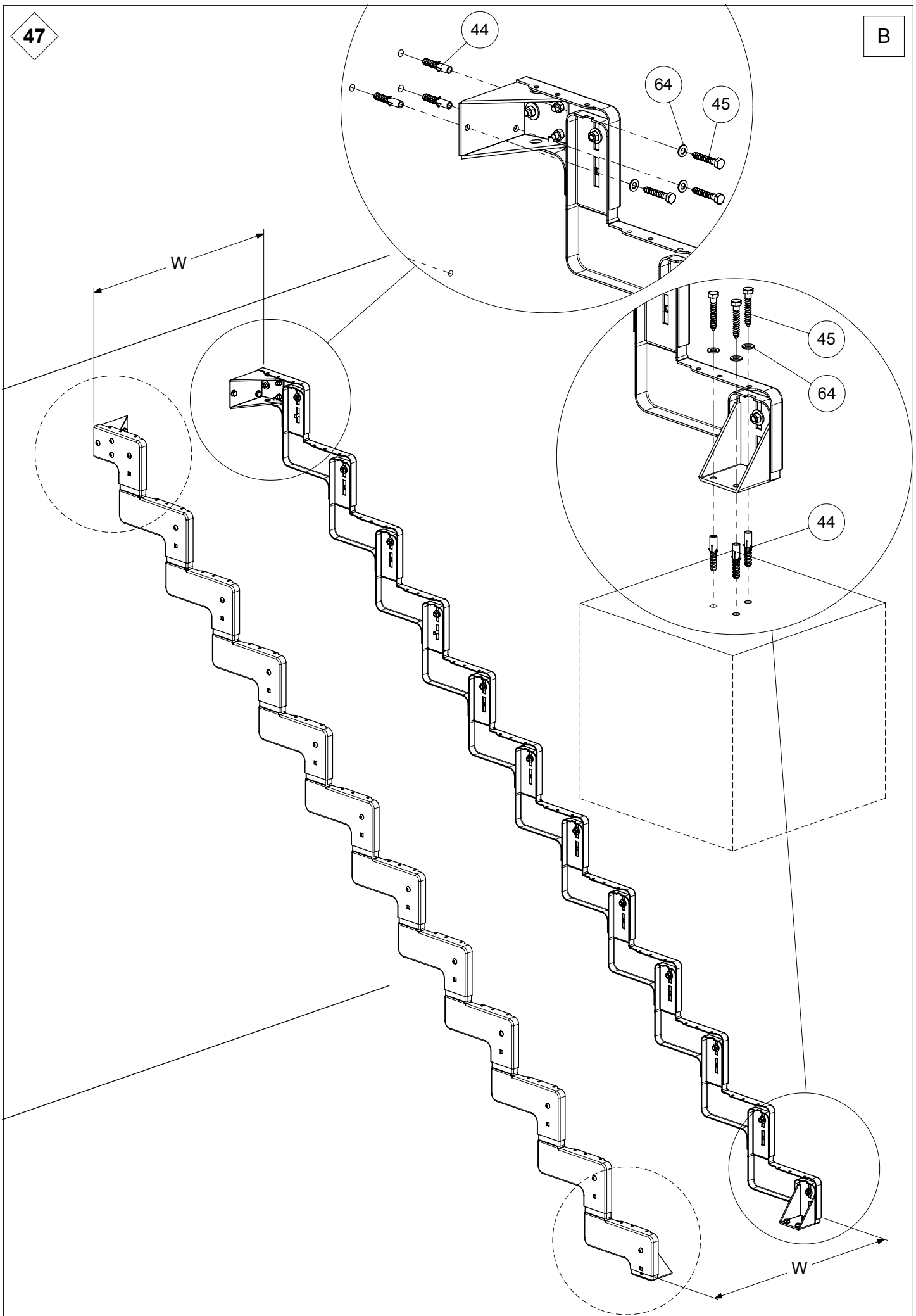
Stufe / Step	W
80 cm	803 mm
100 cm	1003 mm

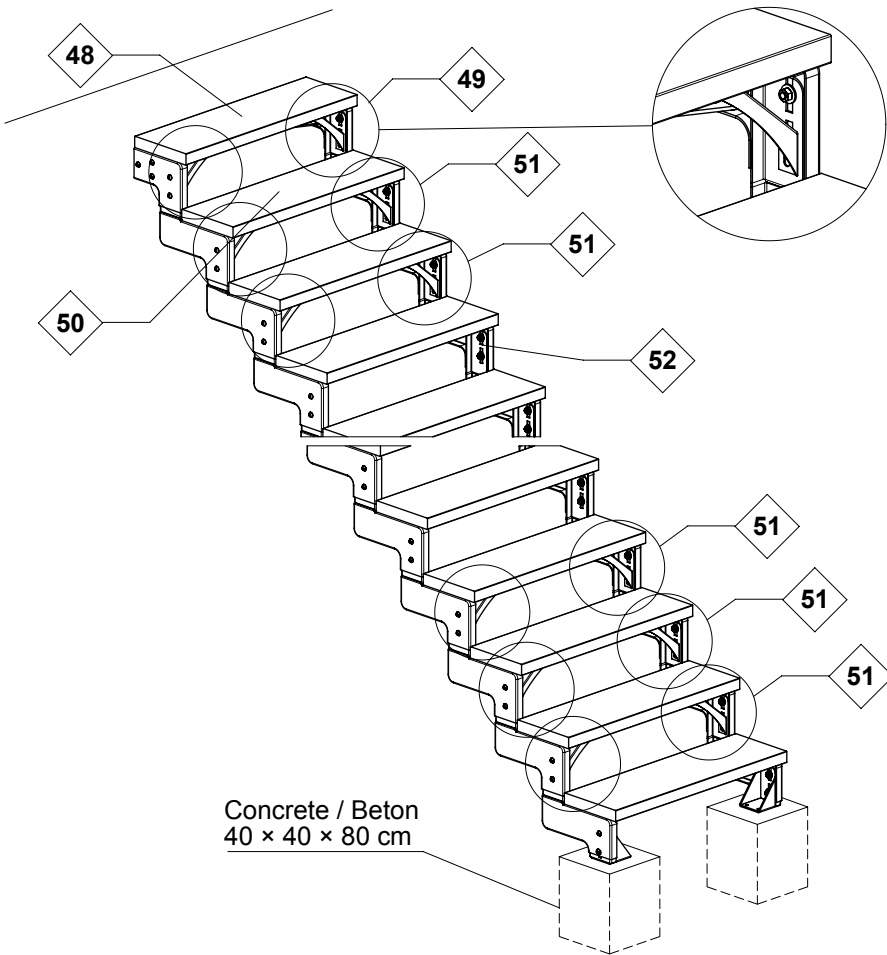





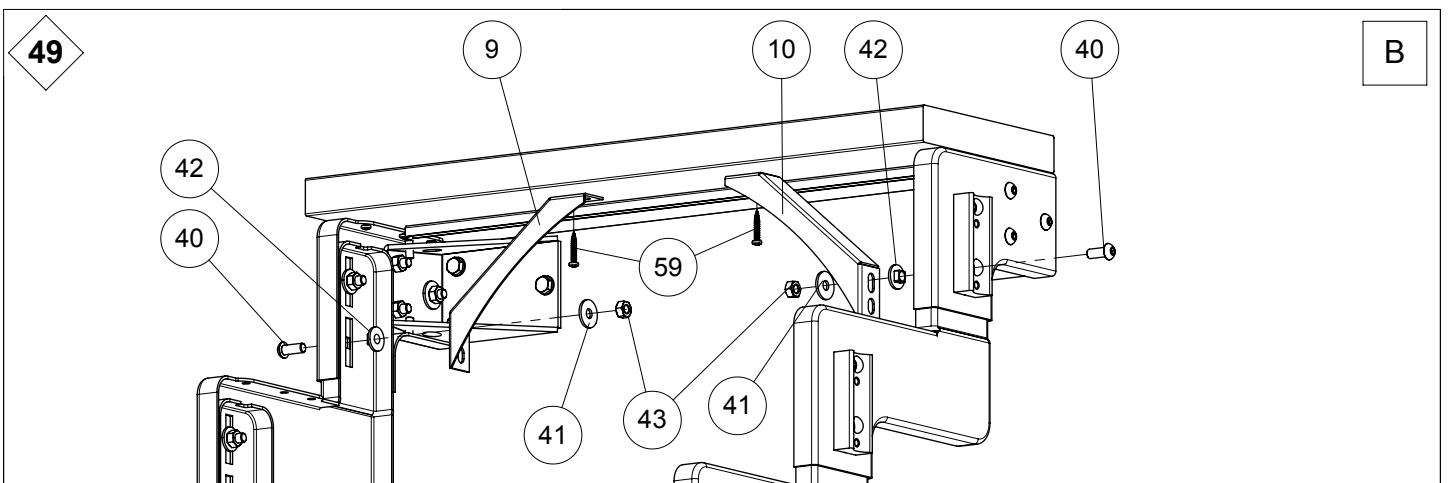
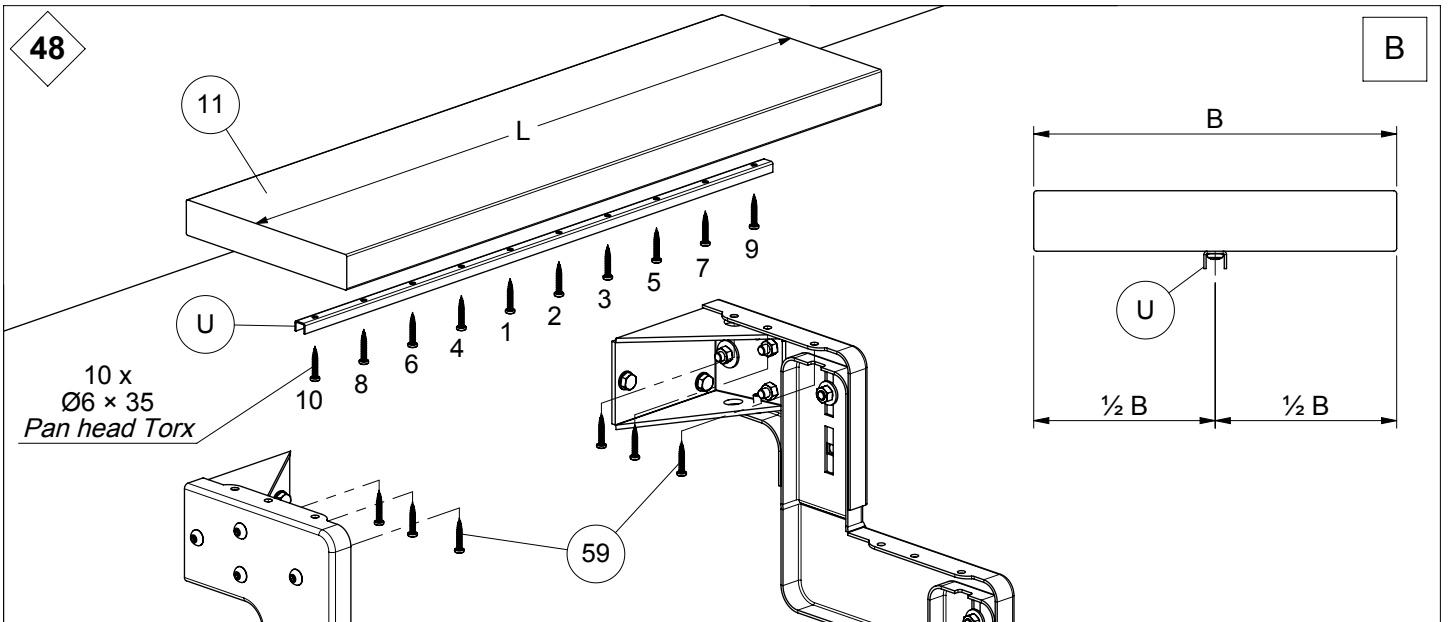
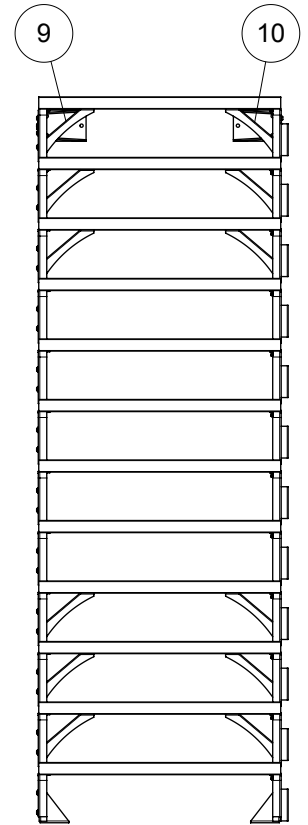
47

B



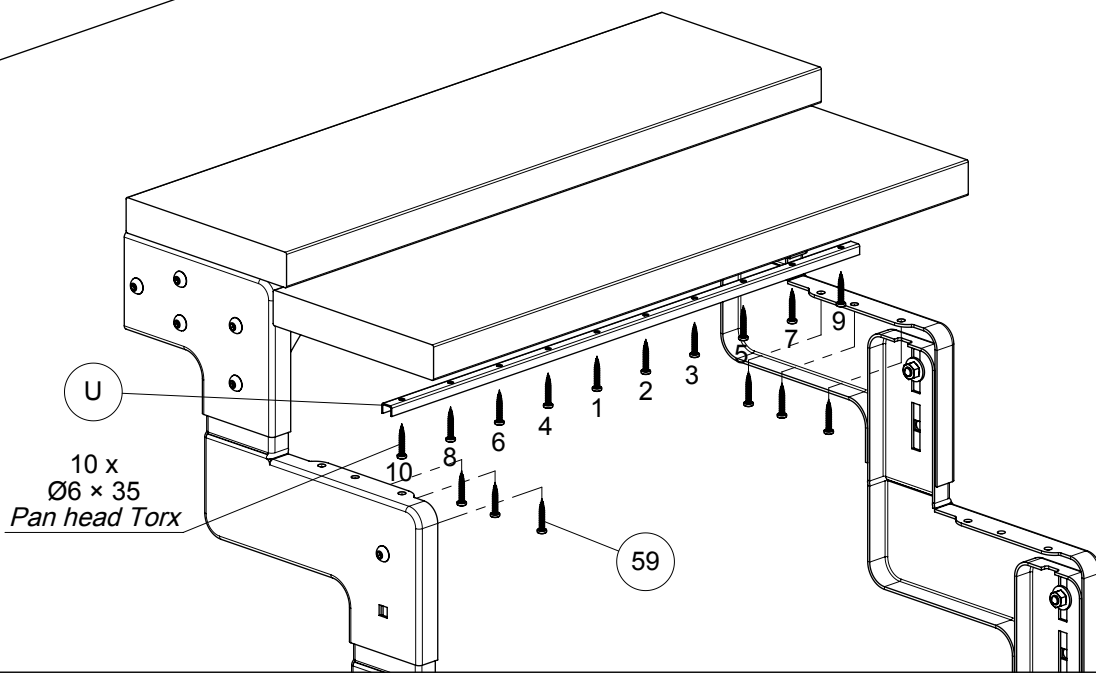



 If more than
6 steps:
Add
 (9) + (10)
 Wenn mehr als
6 Stufen:
 (9) + (10)
 hinzufügen



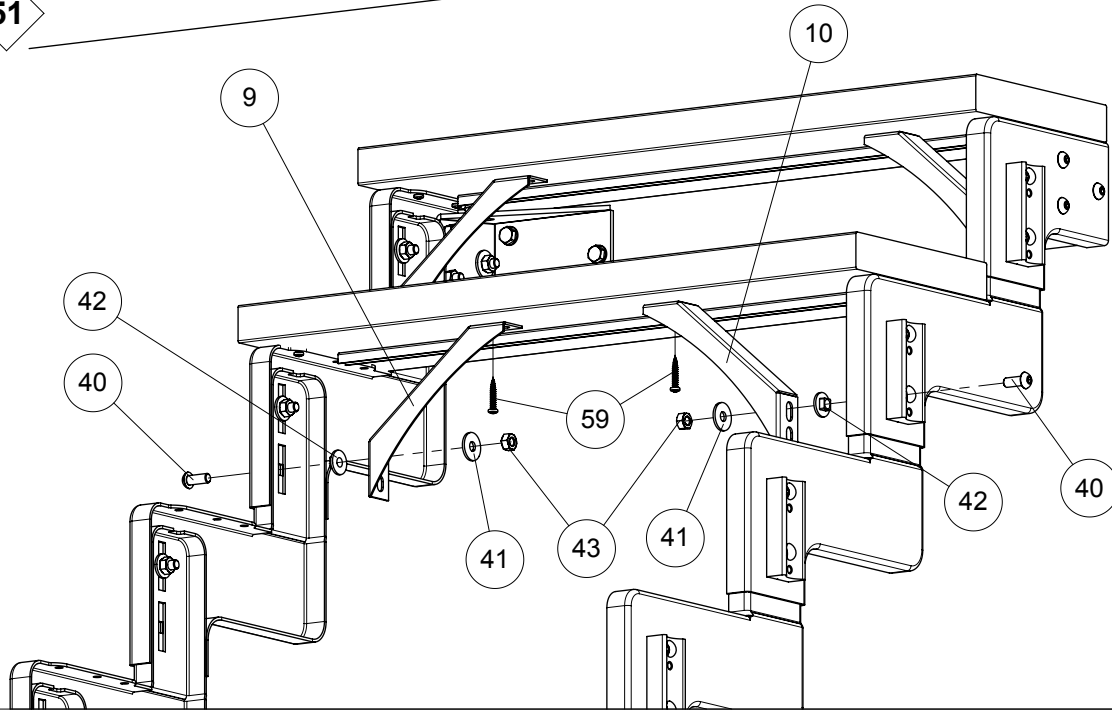
50

B



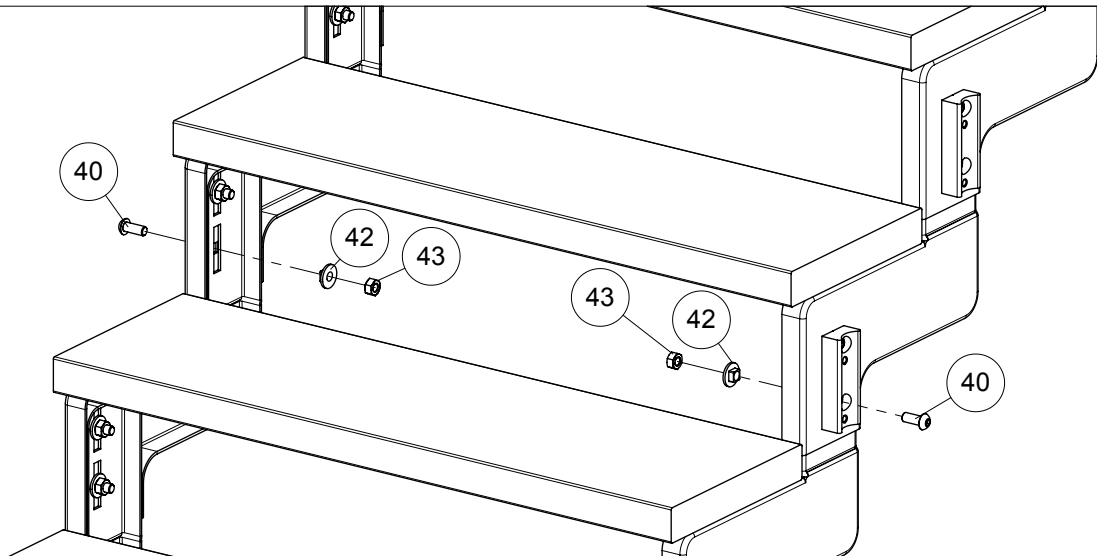
51

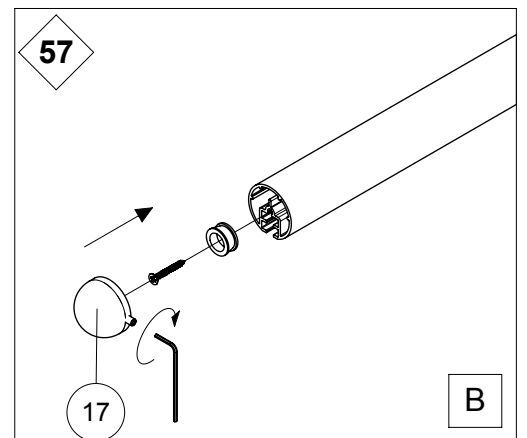
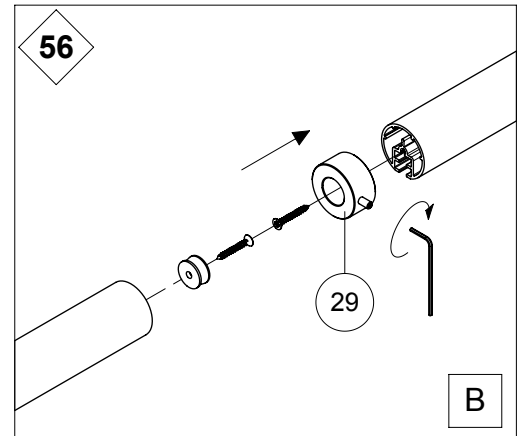
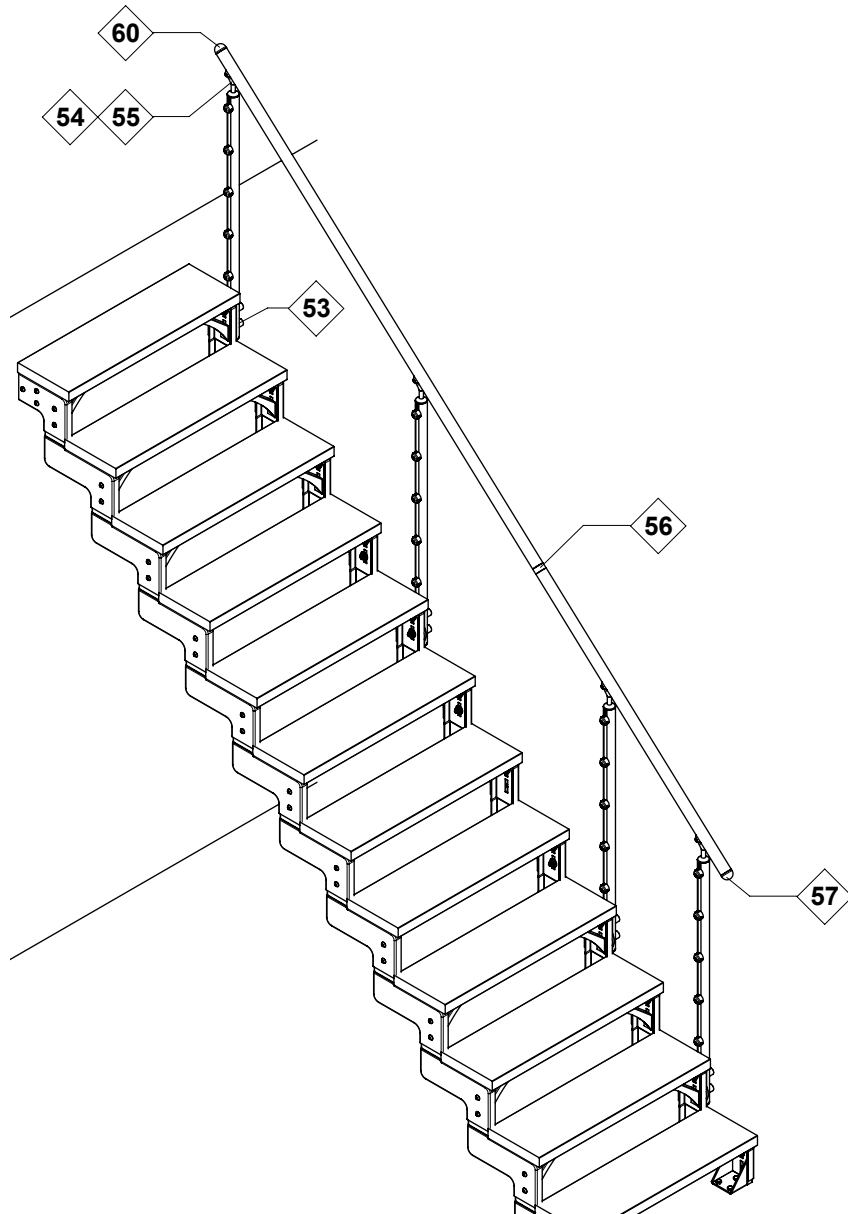
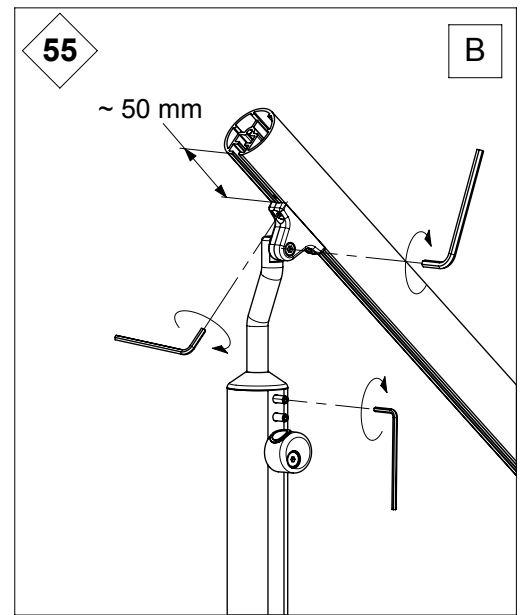
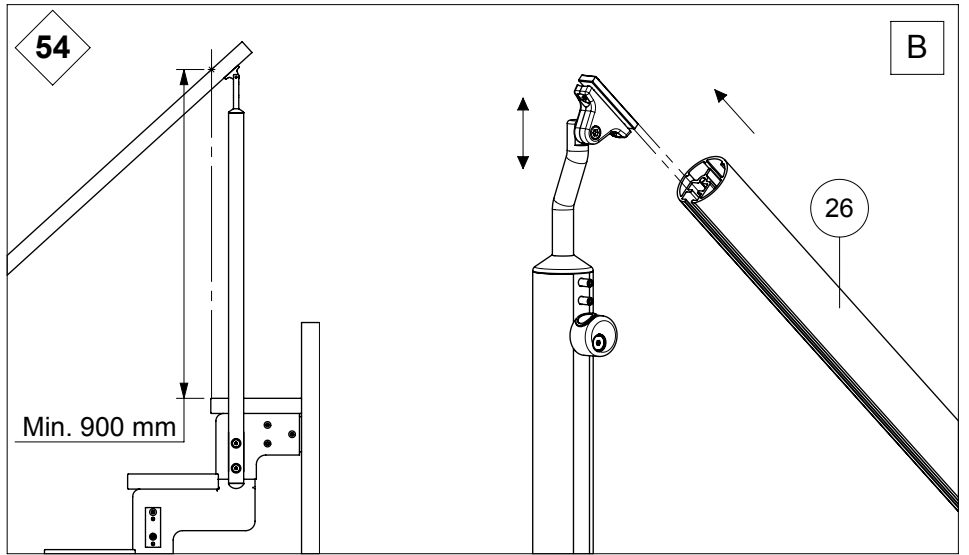
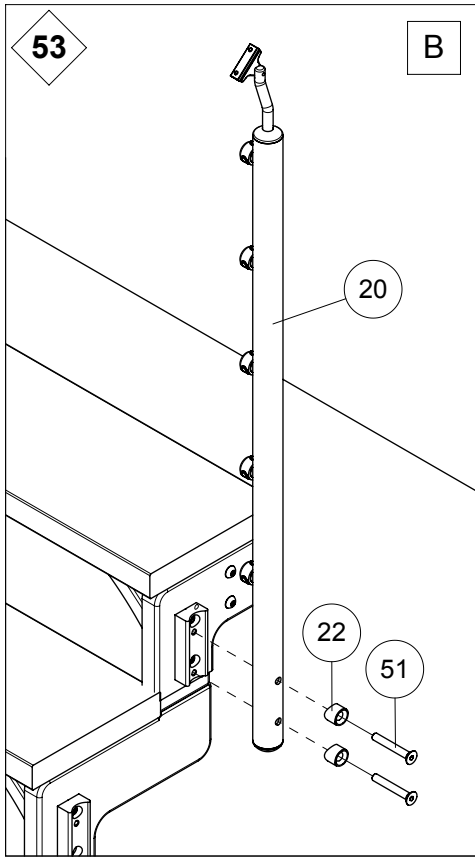
B

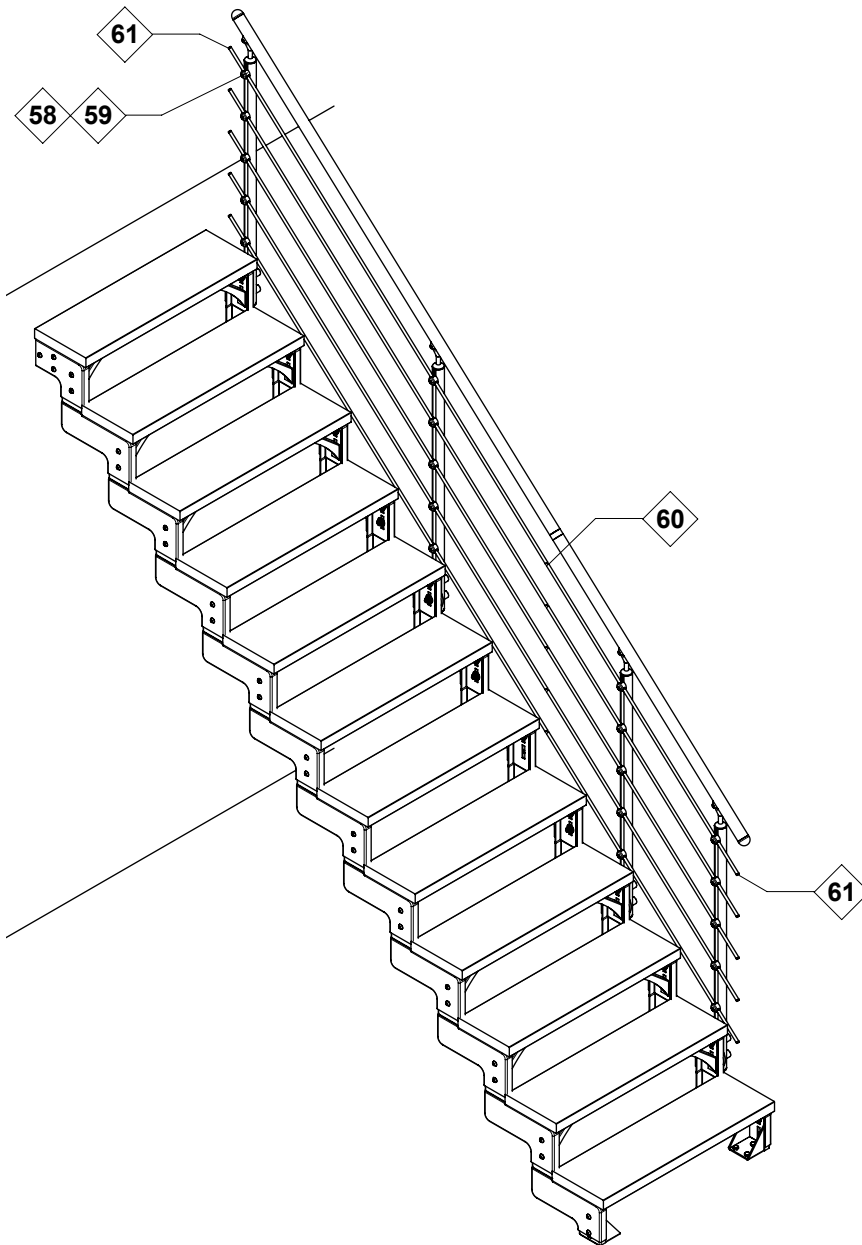
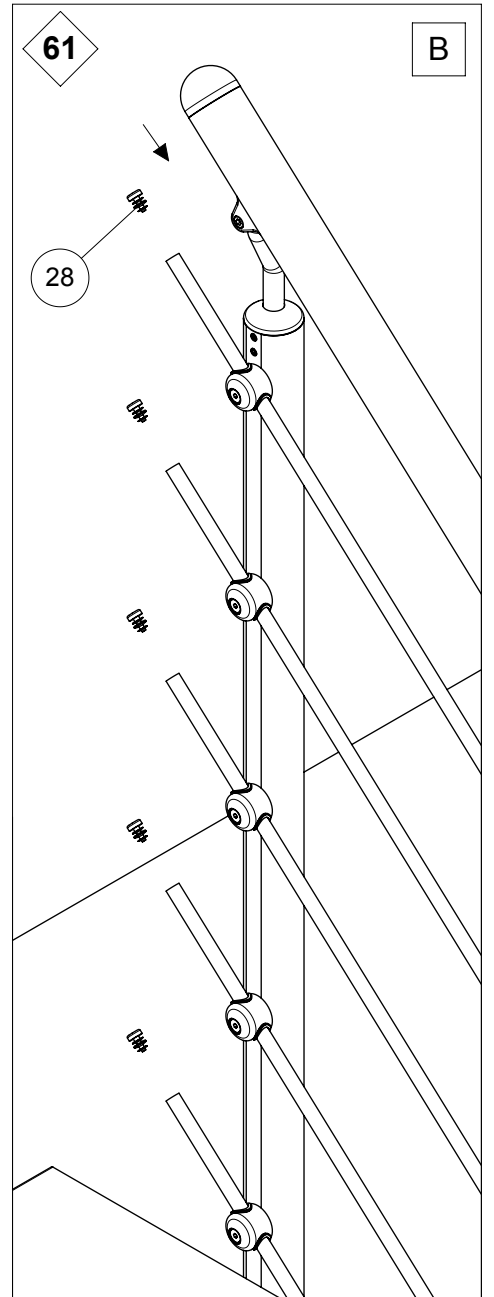
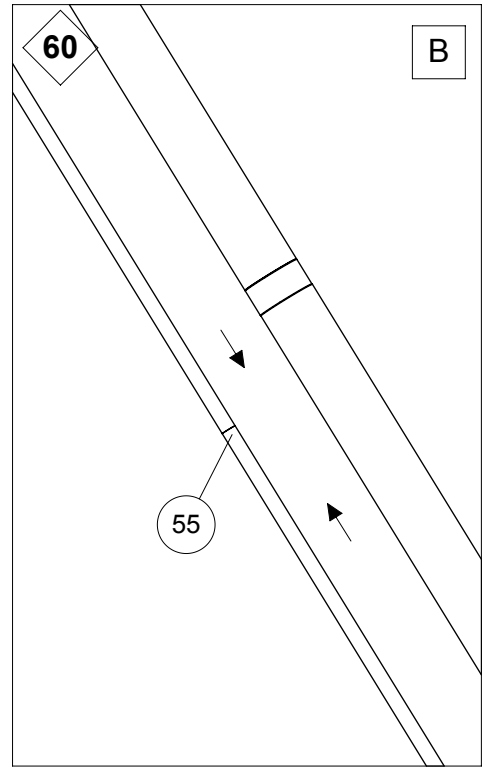
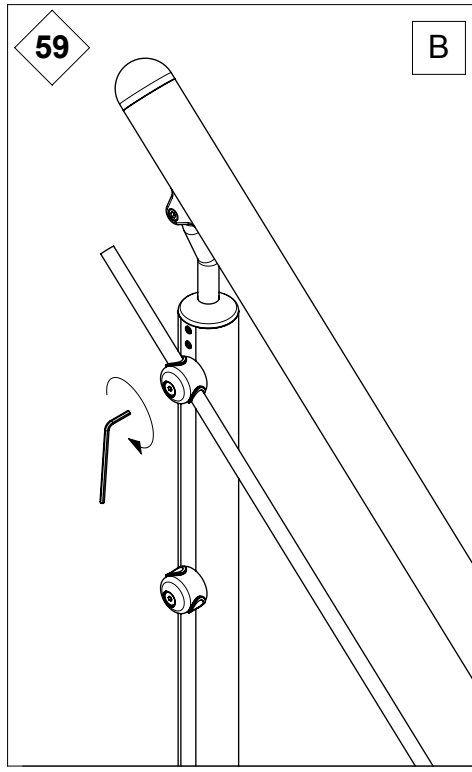
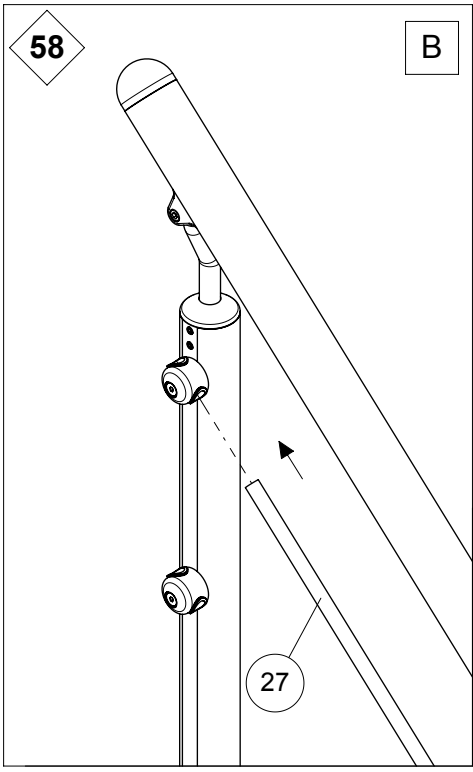


52

B



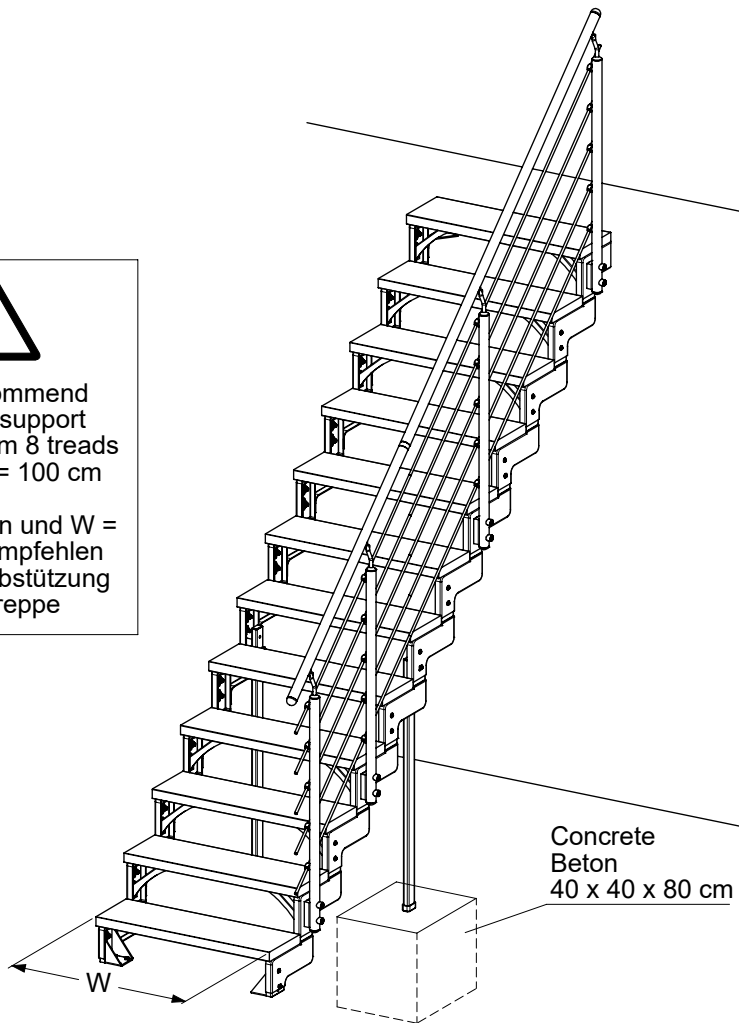






We recommend
using a support
column from 8 treads
and if $W = 100$ cm

Ab 8 Stufen und $W =$
100 cm empfehlen
wir eine Abstützung
der Treppe



Concrete
Beton
40 x 40 x 80 cm