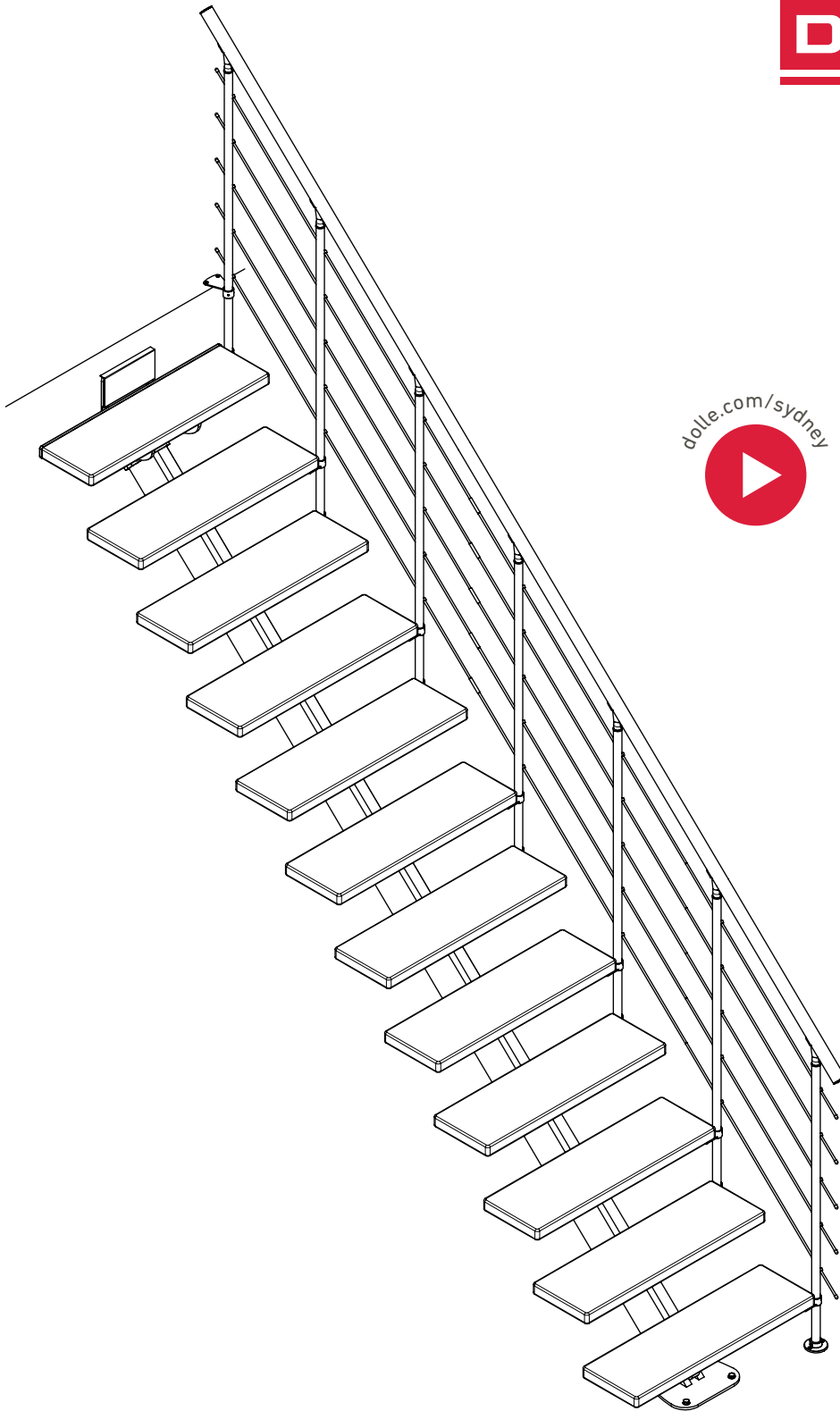


DOLLE[®]



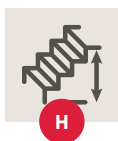
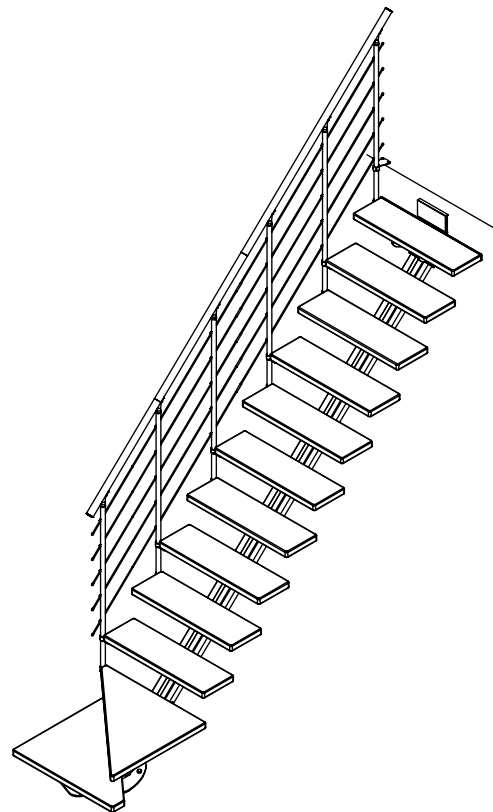
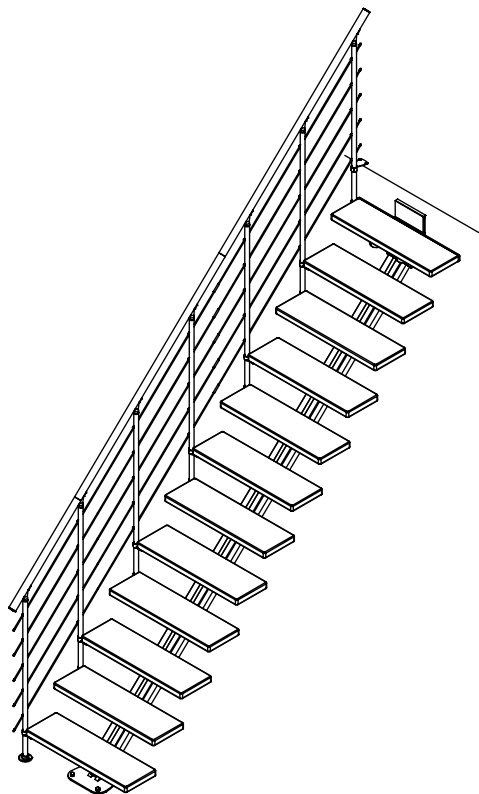
STYLE 6 BANISTER

SYDNEY

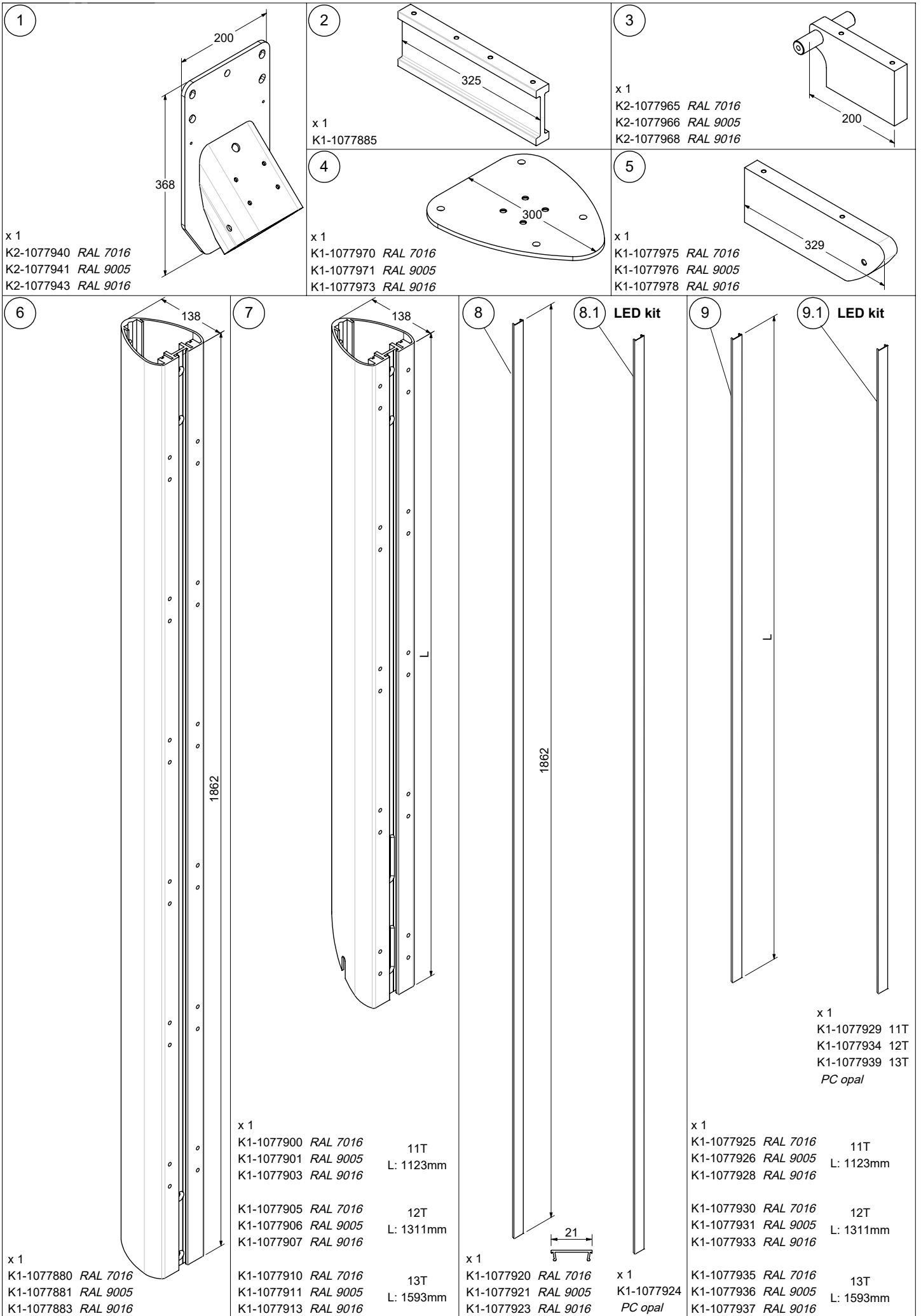
**INSTRUCTION / MONTAGEANLEITUNG
INSTRUKTION / INSTRUCCIÓN / INSTRUKCJA**



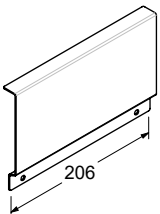


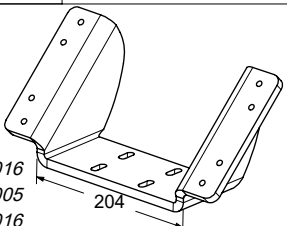
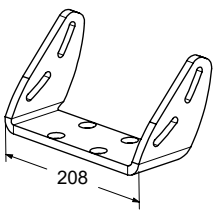
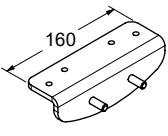
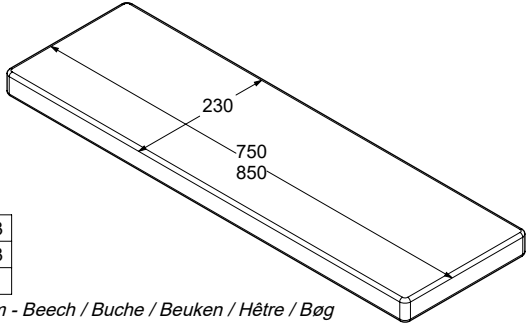
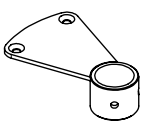
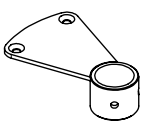
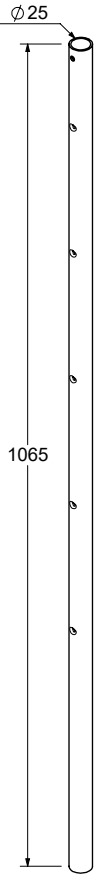
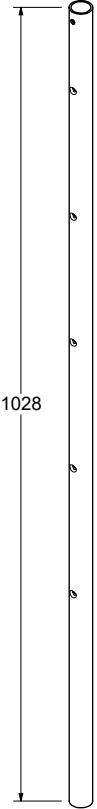



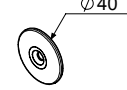
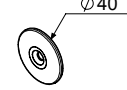
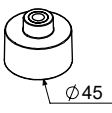
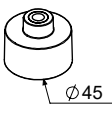
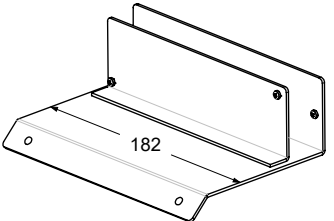
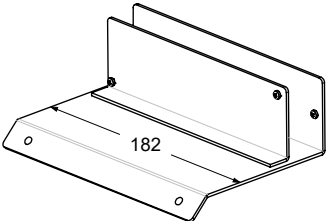
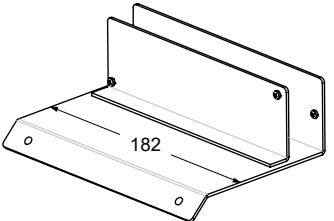
SOGEM[®]

PART OF DOLLE GROUP



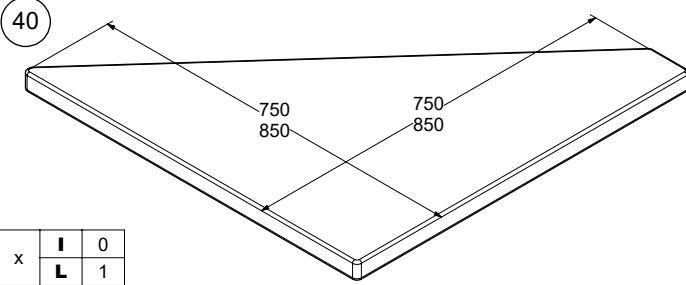
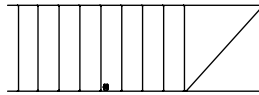
	Height floor-to-floor	Rise height	Going (of tread)	Number of treads
	Geschosshöhe	Steigungshöhe	Auftrittsbreite	Anzahl Stufen
	Hauteur sol-sol	Hauteur de marche	Giron	Nombre de marches
	Altura de suelo/suelo	Altura de peldaños	Huella	Numero de peldaños
	Altura do chão / chão	Altura do degrau	Pegada	Número de etapas (degraus)
	Hoogte vloer/vloer	Hoogte trede	Aantrede	Aantal treden
	Etagehøjde	Stigningshøjde	Grund	Antal trin
	Golv till golv höjd	Stigningshöjd	Grund	Antal steg
	Wysokość kondygnacji od podłogi do podłogi	Wysokość stopnia	Głębokość stopnia	Ilość stopni
	Înălțime sol-sol	Înălțime treaptă	Lățime utilă treaptă	Număr trepte
	Výška patra podlaha-podlaha	Výška schodu	Hĺoubka nášlapu	Počet nášlapů
	Высота от пола до пола	Шаг ступени	Глубина ступени	Кол-во ступеней
	Aukšto aukštis	Pakopos aukštis	Pakopos gylis	Pakopų kiekis
	Stėva augstums	Pakėpiena augstums	Pakėpiena dziūlums	Pakėpienu skaits
	Korruše kōrgus	Astme kōrgus	Astme sūgavus	Astmete arv
	Višina nadstropja	Višina stopnice	Hodalna globina stopnice	Število stopnic
	Visina kata	Visina stepenice	Dubina stuba	Broj stepenica
	Výška podlažia	Výška stupňa	Hĺbka stupňa	Počet stupňov



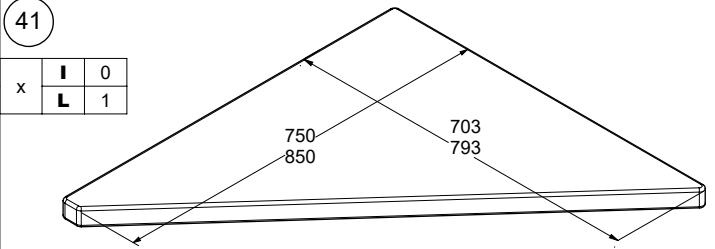
<p>10</p>  <p>x 1 K1-1077985 RAL 7016 K1-1077986 RAL 9005 K1-1077988 RAL 9016</p>	<p>11</p>  <p>x 1 K1-1077980 RAL 7016 K1-1077981 RAL 9005 K1-1077983 RAL 9016</p>	<p>12</p>  <p>x 1 K1-1077950 RAL 7016 K1-1077951 RAL 9005 K1-1077953 RAL 9016</p>	<p>13</p>  <p>x 1 K1-1077895 RAL 7016 K1-1077896 RAL 9005 K1-1077898 RAL 9016</p>	<p>14</p>  <p>x 1 K1-1077890 RAL 7016 K1-1077891 RAL 9005 K1-1077893 RAL 9016</p>																											
<p>15</p>  <p>x 1 K1-1077945 RAL 7016 K1-1077946 RAL 9005 K1-1077948 RAL 9016</p>	<p>16</p> <table border="1" data-bbox="558 392 726 459"> <tr><td></td><td>11</td><td>12</td><td>13</td></tr> <tr><td>x</td><td>10</td><td>11</td><td>12</td></tr> </table> <p>K1-1077990 RAL 7016 K1-1077991 RAL 9005 K1-1077993 RAL 9016</p>		11	12	13	x	10	11	12	<p>17</p>  <table border="1" data-bbox="1037 392 1204 459"> <tr><td></td><td>11</td><td>12</td><td>13</td></tr> <tr><td>x</td><td>20</td><td>22</td><td>24</td></tr> </table> <p>K2-1077995 RAL 7016 K2-1077996 RAL 9005 K2-1077998 RAL 9016</p>		11	12	13	x	20	22	24	<p>18</p>  <table border="1" data-bbox="71 750 263 840"> <tr><td></td><td>11</td><td>12</td><td>13</td></tr> <tr><td>x</td><td>11</td><td>12</td><td>13</td></tr> <tr><td>L</td><td>9</td><td>10</td><td>11</td></tr> </table> <p>M2-1078601 750mm - Beech / Buche / Beuken / Hêtre / Bøg M2-1078611 750mm - Oak / Eiche / Bijv / Chêne / Eg M2-1078621 750mm - Oak white / Eiche weiß / Bijv wt / Chêne blanc / Eg hvid M2-1078651 850mm - Beech / Buche / Beuken / Hêtre / Bøg M2-1078661 850mm - Oak / Eiche / Bijv / Chêne / Eg M2-1078671 850mm - Oak white / Eiche weiß / Bijv wt / Chêne blanc / Eg hvid</p>		11	12	13	x	11	12	13	L	9	10	11
	11	12	13																												
x	10	11	12																												
	11	12	13																												
x	20	22	24																												
	11	12	13																												
x	11	12	13																												
L	9	10	11																												
<p>19</p>  <p>x 1 K1-1077955 750mm - RAL 7016 K1-1077956 750mm - RAL 9005 K1-1077958 750mm - RAL 9016 K1-1077960 850mm - RAL 7016 K1-1077961 850mm - RAL 9005 K1-1077963 850mm - RAL 9016</p>	<p>20</p>  <p>x 1 K2-1077030 RAL 7016 K2-1077031 RAL 9005 K2-1077033 RAL 9016</p>	<p>21</p>  <table border="1" data-bbox="71 1971 263 2060"> <tr><td></td><td>11</td><td>12</td><td>13</td></tr> <tr><td>x</td><td>6</td><td>6</td><td>7</td></tr> <tr><td>L</td><td>6</td><td>6</td><td>6</td></tr> </table> <p>K1-1077605 RAL 7016 K1-1077606 RAL 9005 K1-1077608 RAL 9016</p>		11	12	13	x	6	6	7	L	6	6	6	<p>22</p>  <table border="1" data-bbox="798 1276 989 1366"> <tr><td></td><td>11</td><td>12</td><td>13</td></tr> <tr><td>x</td><td>12</td><td>12</td><td>14</td></tr> <tr><td>L</td><td>12</td><td>12</td><td>12</td></tr> </table> <p>K2-1077025 RAL 7016 K2-1077026 RAL 9005 K2-1077028 RAL 9016</p>		11	12	13	x	12	12	14	L	12	12	12	<p>23</p>  <p>x 1 K2-1078000 RAL 7016 K2-1078001 RAL 9005 K2-1078003 RAL 9006</p>			
	11	12	13																												
x	6	6	7																												
L	6	6	6																												
	11	12	13																												
x	12	12	14																												
L	12	12	12																												
<p>24</p>  <table border="1" data-bbox="1037 1276 1228 1366"> <tr><td></td><td>11</td><td>12</td><td>13</td></tr> <tr><td>x</td><td>6</td><td>6</td><td>7</td></tr> <tr><td>L</td><td>6</td><td>6</td><td>6</td></tr> </table> <p>K1-1077045 RAL 7016 K1-1077046 RAL 9005 K1-1077048 RAL 9016</p>		11	12	13	x	6	6	7	L	6	6	6	<p>25</p>  <p>x 1 K2-1077610 RAL 7016 K2-1077611 RAL 9005 K2-1077613 RAL 9006</p>	<p>26</p>  <table border="1" data-bbox="798 1736 989 1825"> <tr><td></td><td>11</td><td>12</td><td>13</td></tr> <tr><td>x</td><td>7</td><td>7</td><td>8</td></tr> <tr><td>L</td><td>7</td><td>7</td><td>7</td></tr> </table> <p>K2-1077195 RAL 7016 K2-1077196 RAL 9005 K2-1077198 RAL 9006</p>		11	12	13	x	7	7	8	L	7	7	7	<p>27</p>  <p>x 6 K1-1077150 RAL 7016 K1-1077151 RAL 9005 K1-1077153 RAL 9006</p>	<p>28</p>  <p>x 10 R3-91415</p>			
	11	12	13																												
x	6	6	7																												
L	6	6	6																												
	11	12	13																												
x	7	7	8																												
L	7	7	7																												
<p>29</p>  <p>x 1 K1-01810</p>	<p>30</p>  <p>x 1 K1-01620</p>	<p>31</p>  <p>x 1 K2-1078000 RAL 7016 K2-1078001 RAL 9005 K2-1078003 RAL 9006</p>	<p>32</p>  <p>x 1 K2-1078000 RAL 7016 K2-1078001 RAL 9005 K2-1078003 RAL 9006</p>	<p>33</p>  <p>x 1 K2-1078000 RAL 7016 K2-1078001 RAL 9005 K2-1078003 RAL 9006</p>																											

<p>33</p> <p>Ø40 1500</p> <p>M2-1078905 <i>Beech / Buche / Beuken / Hêter / Bøg</i> M2-1078915 <i>Oak / Eiche / Bijv / Chêne / Eg</i> M2-1078925 <i>Oak white / Eiche weiß / Bijv wit / Chêne blanc / Eg hvid</i></p> <table border="1"> <tr><td></td><td>11</td><td>12</td><td>13</td></tr> <tr><td>x</td><td>I</td><td>3</td><td>3</td><td>3</td></tr> <tr><td></td><td>L</td><td>2</td><td>2</td><td>3</td></tr> </table>		11	12	13	x	I	3	3	3		L	2	2	3																																															
	11	12	13																																																										
x	I	3	3	3																																																									
	L	2	2	3																																																									
<p>34</p> <p>Ø6 1500</p> <p>x 15 K1-14077</p>																																																													
<p>35</p> <p>Ø5</p> <table border="1"> <tr><td></td><td>11</td><td>12</td><td>13</td></tr> <tr><td>x</td><td>I</td><td>35</td><td>35</td><td>40</td></tr> <tr><td></td><td>L</td><td>35</td><td>35</td><td>35</td></tr> </table> <p>K1-1077202</p>		11	12	13	x	I	35	35	40		L	35	35	35	<p>36</p> <table border="1"> <tr><td></td><td>11</td><td>12</td><td>13</td></tr> <tr><td>x</td><td>I</td><td>35</td><td>35</td><td>40</td></tr> <tr><td></td><td>L</td><td>35</td><td>35</td><td>35</td></tr> </table> <p>K3-05064 M4 x 4</p>		11	12	13	x	I	35	35	40		L	35	35	35	<p>37</p> <p>50</p> <p>x 10 K1-14939</p>	<p>38</p> <p>Ø8</p> <p>x 30 K1-04050</p>																														
	11	12	13																																																										
x	I	35	35	40																																																									
	L	35	35	35																																																									
	11	12	13																																																										
x	I	35	35	40																																																									
	L	35	35	35																																																									
<p>50</p> <p>x 9 K3-08001 Ø12 x 60</p>	<p>51</p> <p>x 11 K3-04001 Ø10</p>	<p>52</p> <p>x 9 K3-06003 Ø10 x 60</p>	<p>53</p> <p>x 15 K3-02136 M8 x 20</p>	<p>54</p> <p>x 4 K3-02137 M10 x 20</p>	<p>55</p> <p>x 2 K3-02205 M10 x 25</p>																																																								
<p>56</p> <p>x 2 K3-02258 M10 x 25</p>	<p>57</p> <p>x 2 K3-02041 M5 x 8</p>	<p>58</p> <p>Ø21</p> <p>x 4 K1-10027 RAL 7016 K1-01018 RAL 9005 K1-01007 RAL 9016</p>	<table border="1"> <tr><td></td><td>11</td><td>12</td><td>13</td></tr> <tr><td>x</td><td>44</td><td>48</td><td>52</td></tr> </table> <p>K3-04150 Ø8 / Ø16</p>		11	12	13	x	44	48	52	<table border="1"> <tr><td></td><td>11</td><td>12</td><td>13</td></tr> <tr><td>x</td><td>40</td><td>44</td><td>48</td></tr> </table> <p>K3-03011 M8</p>		11	12	13	x	40	44	48	<p>61</p> <p>x 4 K3-02267 M8 x 25</p>																																								
	11	12	13																																																										
x	44	48	52																																																										
	11	12	13																																																										
x	40	44	48																																																										
<p>62</p> <table border="1"> <tr><td></td><td>11</td><td>12</td><td>13</td></tr> <tr><td>x</td><td>40</td><td>44</td><td>48</td></tr> </table> <p>K3-02138 M8 x 35</p>		11	12	13	x	40	44	48	<p>63</p> <p>x 2 K3-06013 Ø4 x 20</p>	<p>64</p> <table border="1"> <tr><td></td><td>11</td><td>12</td><td>13</td></tr> <tr><td>x</td><td>88</td><td>96</td><td>104</td></tr> </table> <p>K3-06128 Ø6 x 35</p>		11	12	13	x	88	96	104	<p>65</p> <p>x 2 R3-91368 Ø4,5 x 25</p>	<p>66</p> <p>x 4 K3-08003 Ø8 x 50</p>	<p>67</p> <p>x 4 K3-06110 Ø5 x 60</p>																																								
	11	12	13																																																										
x	40	44	48																																																										
	11	12	13																																																										
x	88	96	104																																																										
<p>68</p> <p>K3-06130 Ø6 x 30</p>	<p>69</p> <p>K3-05056 M6 x 5</p>	<p>70</p> <p>K3-05002 M6 x 8</p>	<p>71</p> <p>x 6 K3-06022 Ø5 x 35</p>	<p>72</p> <p>K3-06008 Ø5 x 25</p>	<p>90</p> <p>Wood glue Holzkleber Colle à bois Trælim Houtlijm</p> <p>x 1 K3-90005</p>																																																								
<table border="1"> <tr><td></td><td>11</td><td>12</td><td>13</td></tr> <tr><td>x</td><td>I</td><td>24</td><td>24</td><td>28</td></tr> <tr><td></td><td>L</td><td>24</td><td>24</td><td>24</td></tr> </table> <p>K3-06130 Ø6 x 30</p>		11	12	13	x	I	24	24	28		L	24	24	24	<table border="1"> <tr><td></td><td>11</td><td>12</td><td>13</td></tr> <tr><td>x</td><td>I</td><td>26</td><td>26</td><td>30</td></tr> <tr><td></td><td>L</td><td>26</td><td>26</td><td>26</td></tr> </table> <p>K3-05056 M6 x 5</p>		11	12	13	x	I	26	26	30		L	26	26	26	<table border="1"> <tr><td></td><td>11</td><td>12</td><td>13</td></tr> <tr><td>x</td><td>I</td><td>7</td><td>7</td><td>8</td></tr> <tr><td></td><td>L</td><td>7</td><td>7</td><td>7</td></tr> </table> <p>K3-05002 M6 x 8</p>		11	12	13	x	I	7	7	8		L	7	7	7	<p>71</p> <p>x 6 K3-06022 Ø5 x 35</p>	<table border="1"> <tr><td></td><td>11</td><td>12</td><td>13</td></tr> <tr><td>x</td><td>I</td><td>7</td><td>7</td><td>8</td></tr> <tr><td></td><td>L</td><td>7</td><td>7</td><td>7</td></tr> </table> <p>K3-06008 Ø5 x 25</p>		11	12	13	x	I	7	7	8		L	7	7	7	<p>91</p> <p>Strong glue Superkleber Seconde lijm Colle forte Superlim</p> <p>x 1 K7-71999</p>
	11	12	13																																																										
x	I	24	24	28																																																									
	L	24	24	24																																																									
	11	12	13																																																										
x	I	26	26	30																																																									
	L	26	26	26																																																									
	11	12	13																																																										
x	I	7	7	8																																																									
	L	7	7	7																																																									
	11	12	13																																																										
x	I	7	7	8																																																									
	L	7	7	7																																																									
<p>92</p> <p>150</p> <p>x 2 K1-1077165 RAL 7016 K1-1077166 RAL 9005 K1-1077168 RAL 9016</p>	<p>93</p> <p>x 4 K2-1077170 RAL 7016 K2-1077171 RAL 9005 K2-1077173 RAL 9016</p>																																																												

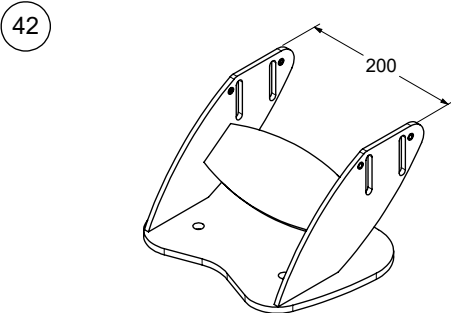
1077860 RAL 7016
 1077870 RAL 9005
 1077890 RAL 9016



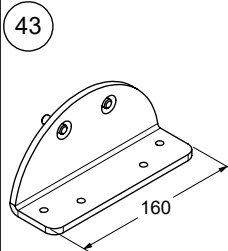
M2-1078609 750mm - Beech / Buche / Beuken / Hêtre / Bøg
 M2-1078619 750mm - Oak / Eiche / Bijv / Chêne / Eg
 M2-1078629 750mm - Oak white / Eiche weiß / Bijv wt / Chêne blanc / Eg hvid
 M2-1078659 850mm - Beech / Buche / Beuken / Hêtre / Bøg
 M2-1078669 850mm - Oak / Eiche / Bijv / Chêne / Eg
 M2-1078679 850mm - Oak white / Eiche weiß / Bijv wt / Chêne blanc / Eg hvid



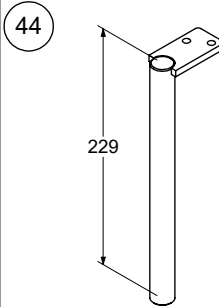
M2-1078608 750mm - Beech / Buche / Beuken / Hêtre / Bøg
 M2-1078618 750mm - Oak / Eiche / Bijv / Chêne / Eg
 M2-1078628 750mm - Oak white / Eiche weiß / Bijv wt / Chêne blanc / Eg hvid
 M2-1078658 850mm - Beech / Buche / Beuken / Hêtre / Bøg
 M2-1078668 850mm - Oak / Eiche / Bijv / Chêne / Eg
 M2-1078678 850mm - Oak white / Eiche weiß / Bijv wt / Chêne blanc / Eg hvid



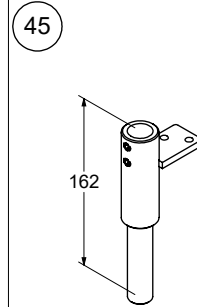
K2-1078030 RAL 7016
 K2-1078031 RAL 9005
 K2-1078033 RAL 9016



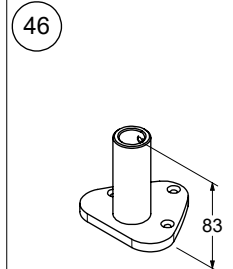
K2-1078035 RAL 7016
 K2-1078036 RAL 9005
 K2-1078038 RAL 9016



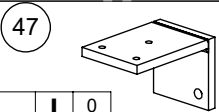
K2-1078060 RAL 7016
 K2-1078061 RAL 9005
 K2-1078063 RAL 9016



K2-1078055 RAL 7016
 K2-1078056 RAL 9005
 K2-1078058 RAL 9016



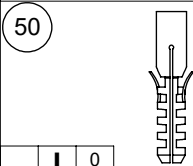
K2-1078050 RAL 7016
 K2-1078051 RAL 9005
 K2-1078053 RAL 9016



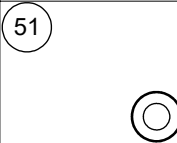
K1-1077295 RAL 7016
 K1-1077296 RAL 9005
 K1-1077298 RAL 9016



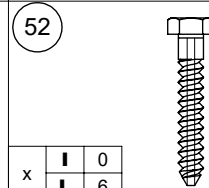
K3-09800 RAL 7016
 K3-09801 RAL 9005
 K3-09803 RAL 9016



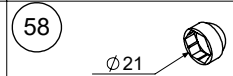
K3-08001 Ø12 x 60



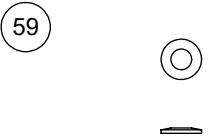
K3-04001 Ø10



K3-06003 Ø10 x 60



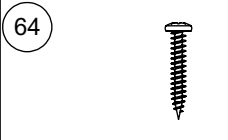
K1-01027 RAL 7016
 K1-01018 RAL 9005
 K1-01007 RAL 9016



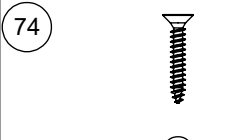
K3-04150 Ø8 / Ø16



K3-03011 M8



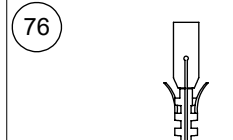
K3-06128 Ø6 x 35 - TX30



K3-06135 Ø6 x 35 - TX30



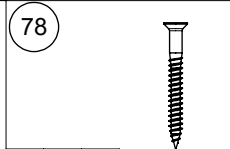
K3-06015 Ø8 x 70



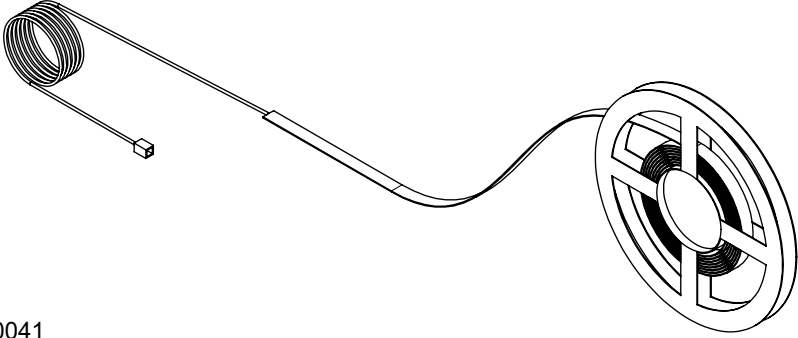
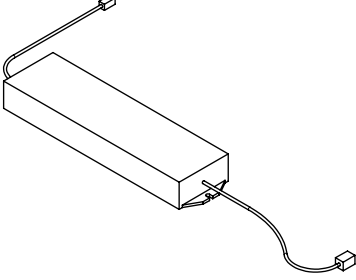
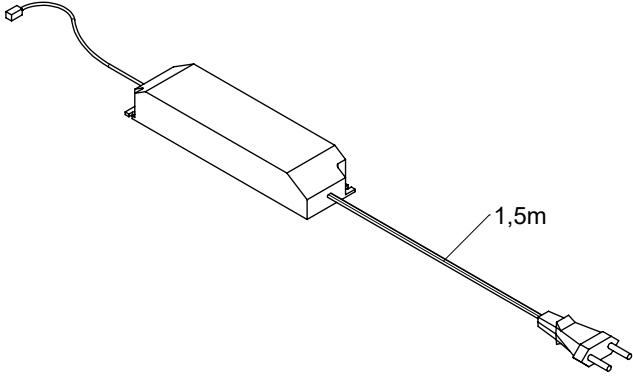
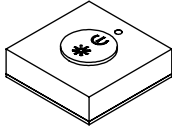
K3-08004 Ø10 x 60



K3-08006 Ø6 x 30



K3-06005 Ø5 x 50

OPTION	1077899-0100 LED kit	
<p>100</p>  <p>x 1 640041 LED strip</p>		<p>101</p>  <p>x 1 22742 RF LED dimmer</p>
<p>102</p>  <p>x 1 600245 LED driver</p>		<p>103</p>  <p>x 1 20222 Remote control</p>



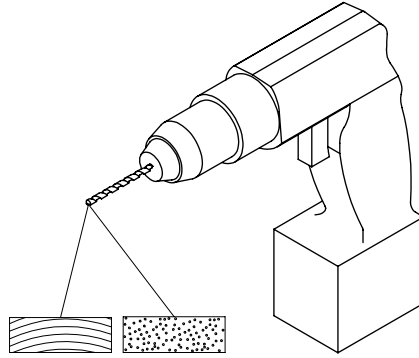
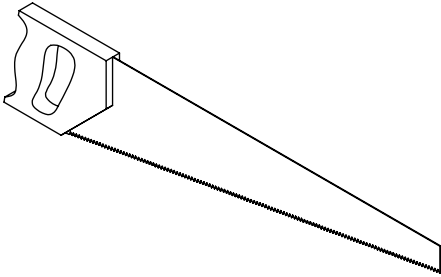
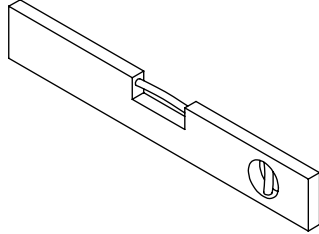
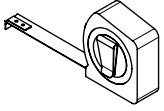
Tools not included!

Werkzeuge nicht enthalten!

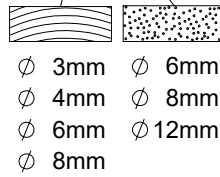
Gereedschap niet inbegrepen!

Outils non inclus!

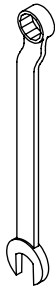
Værktøj ikke inkluderet!



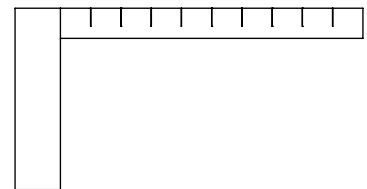
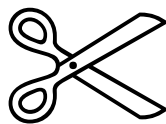
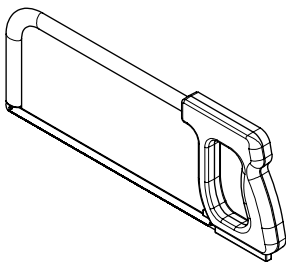
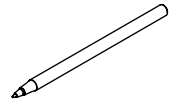
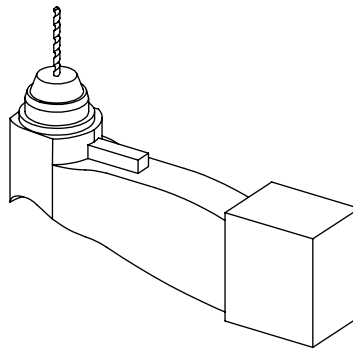
TX25
TX30
PZ2



3 mm
5 mm
6 mm
8 mm



13mm
16mm
17mm

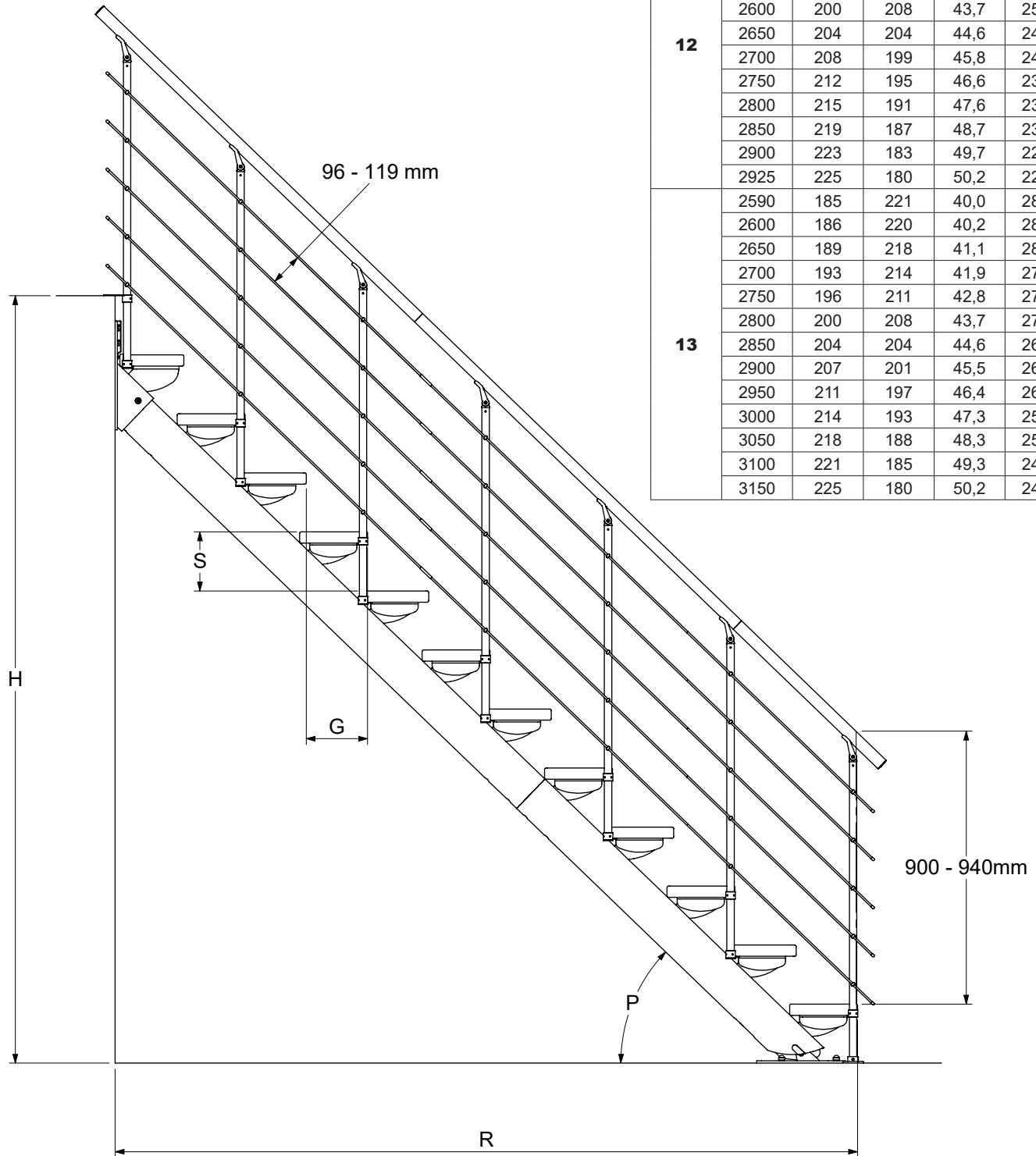




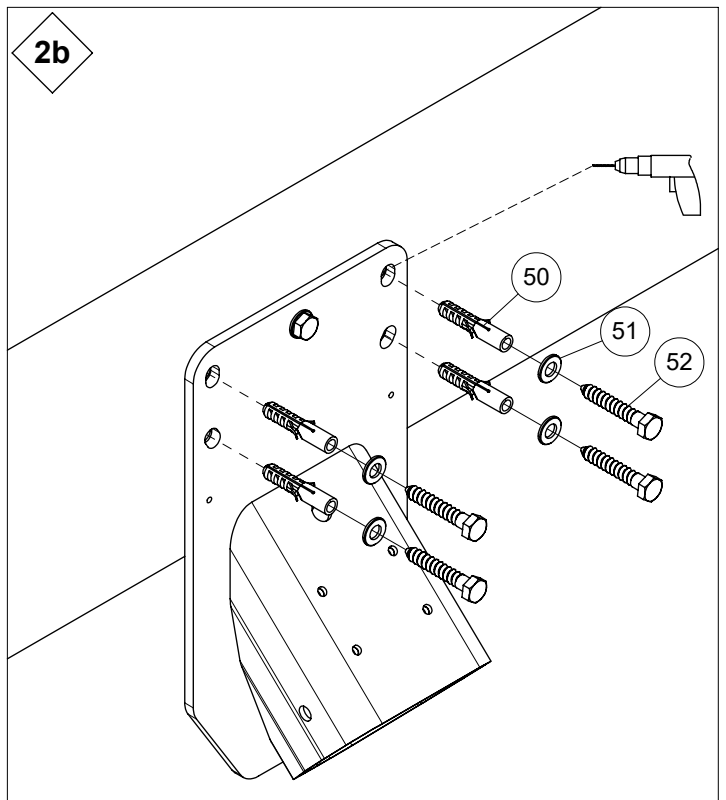
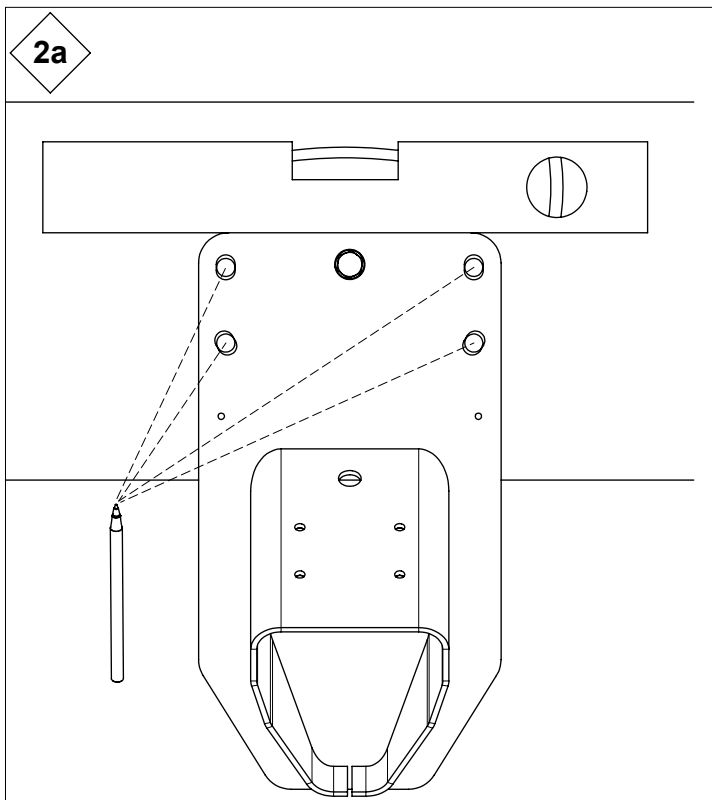
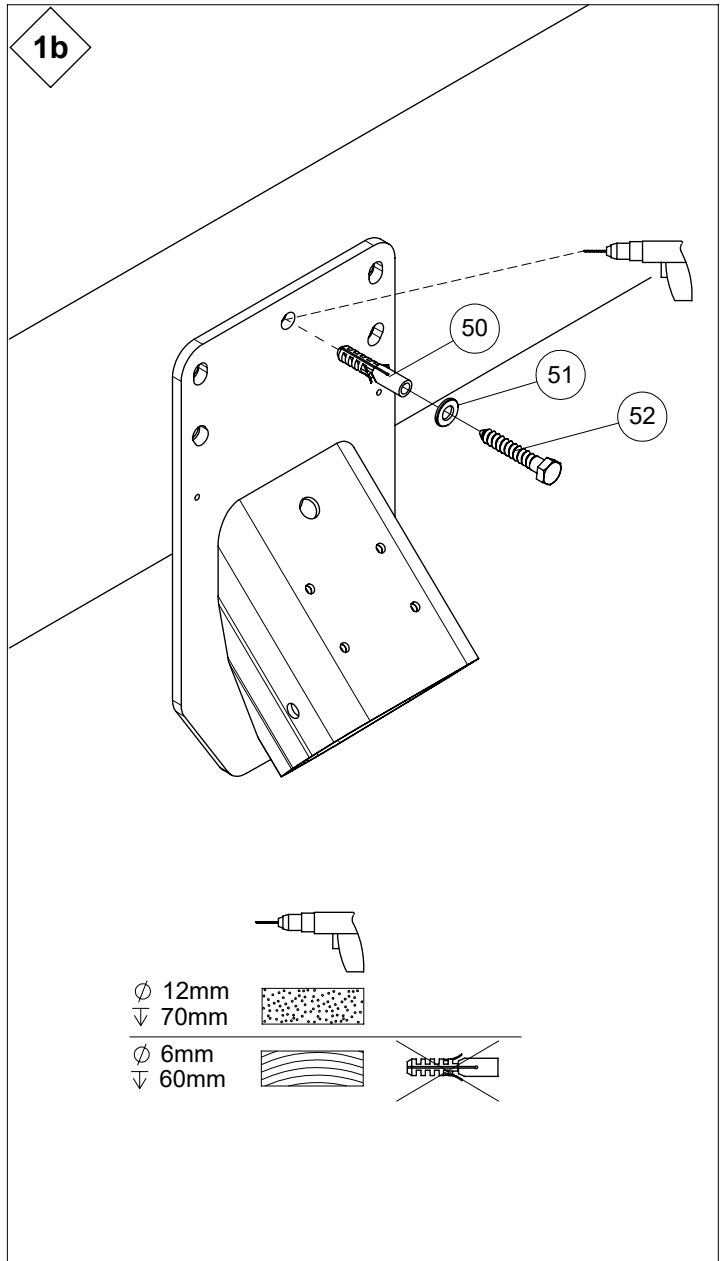
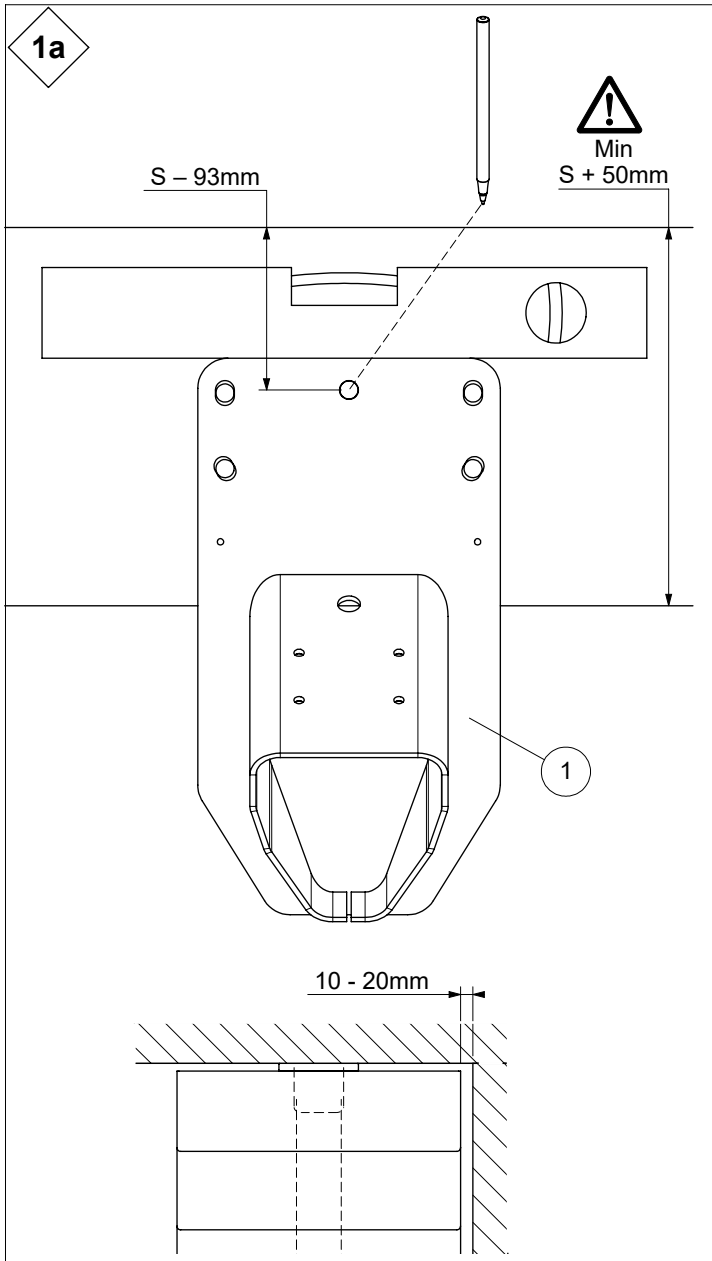
$$S = \frac{H}{T + 1}$$

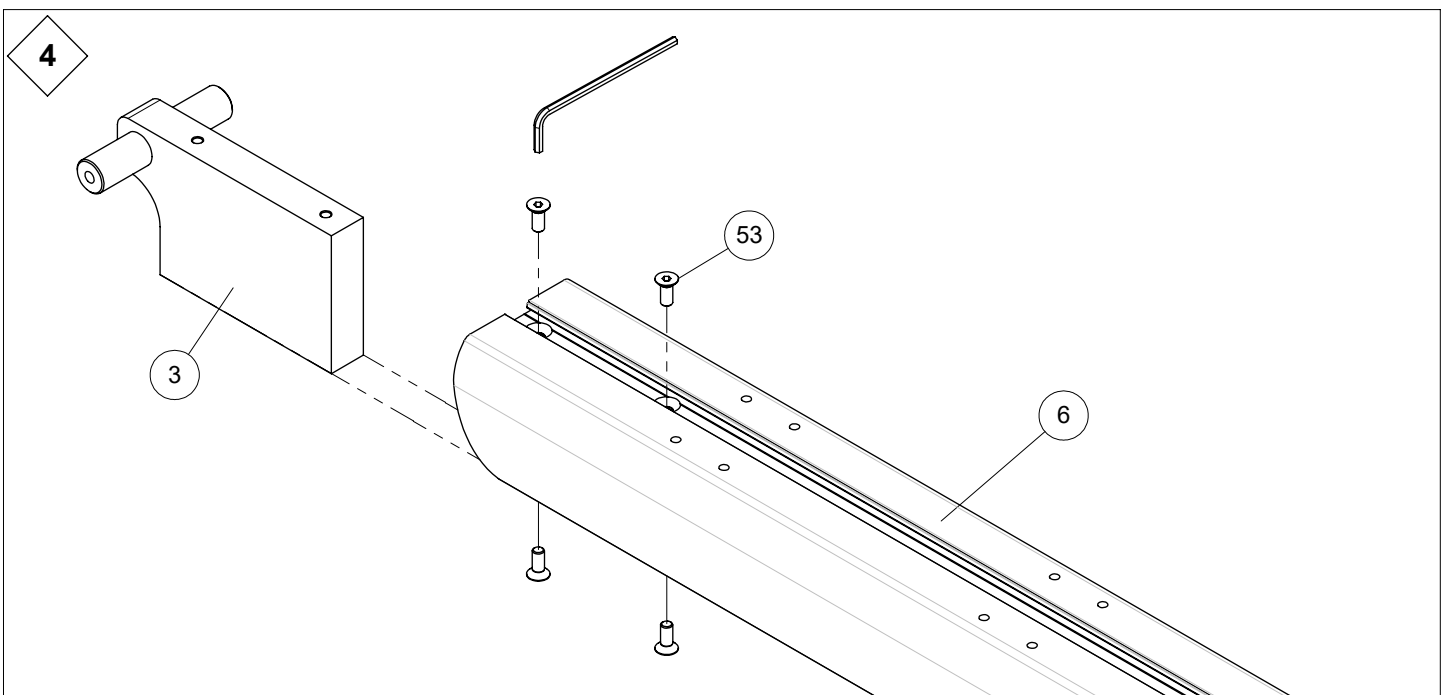
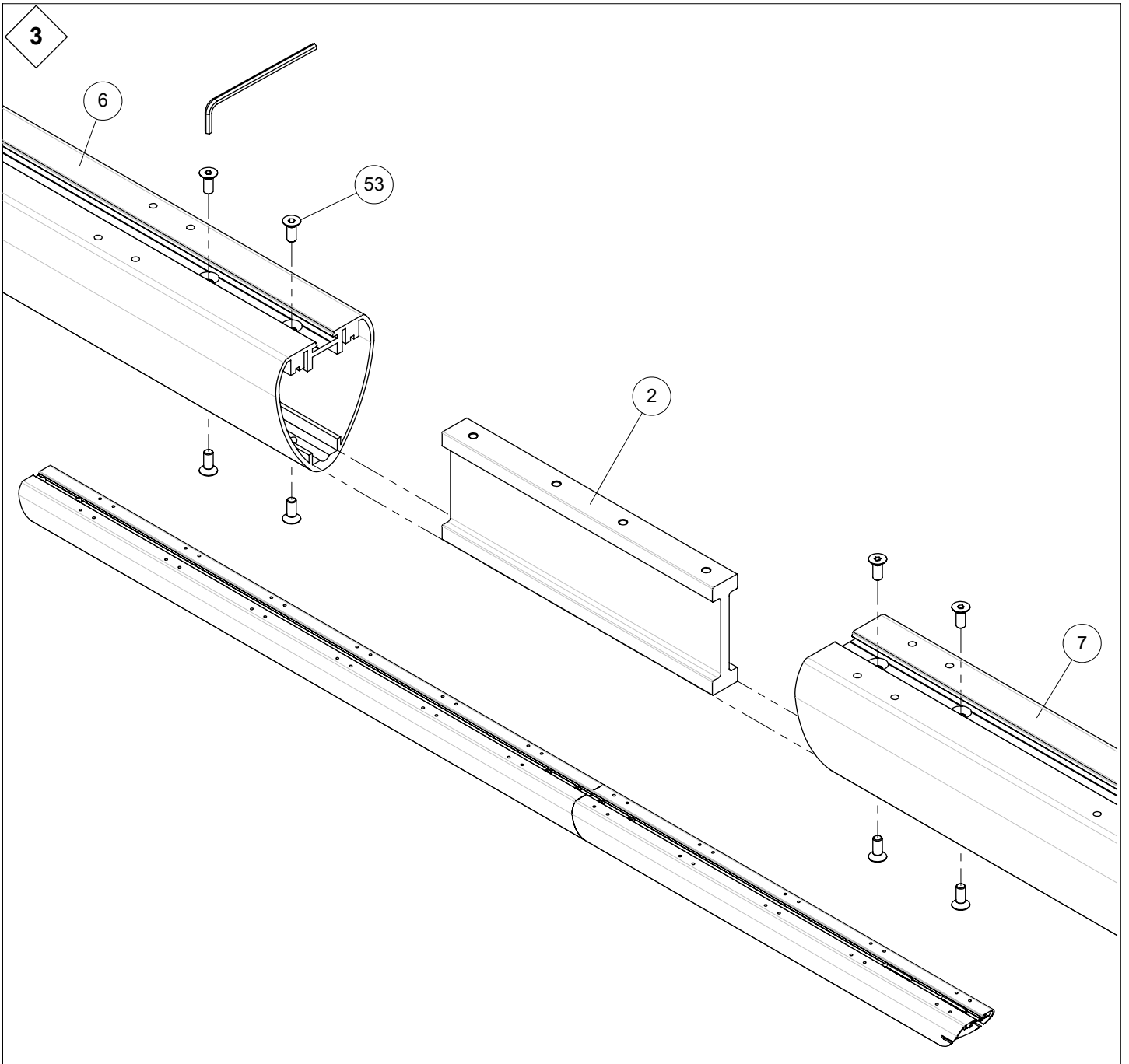
H = 2600 mm, T = 12

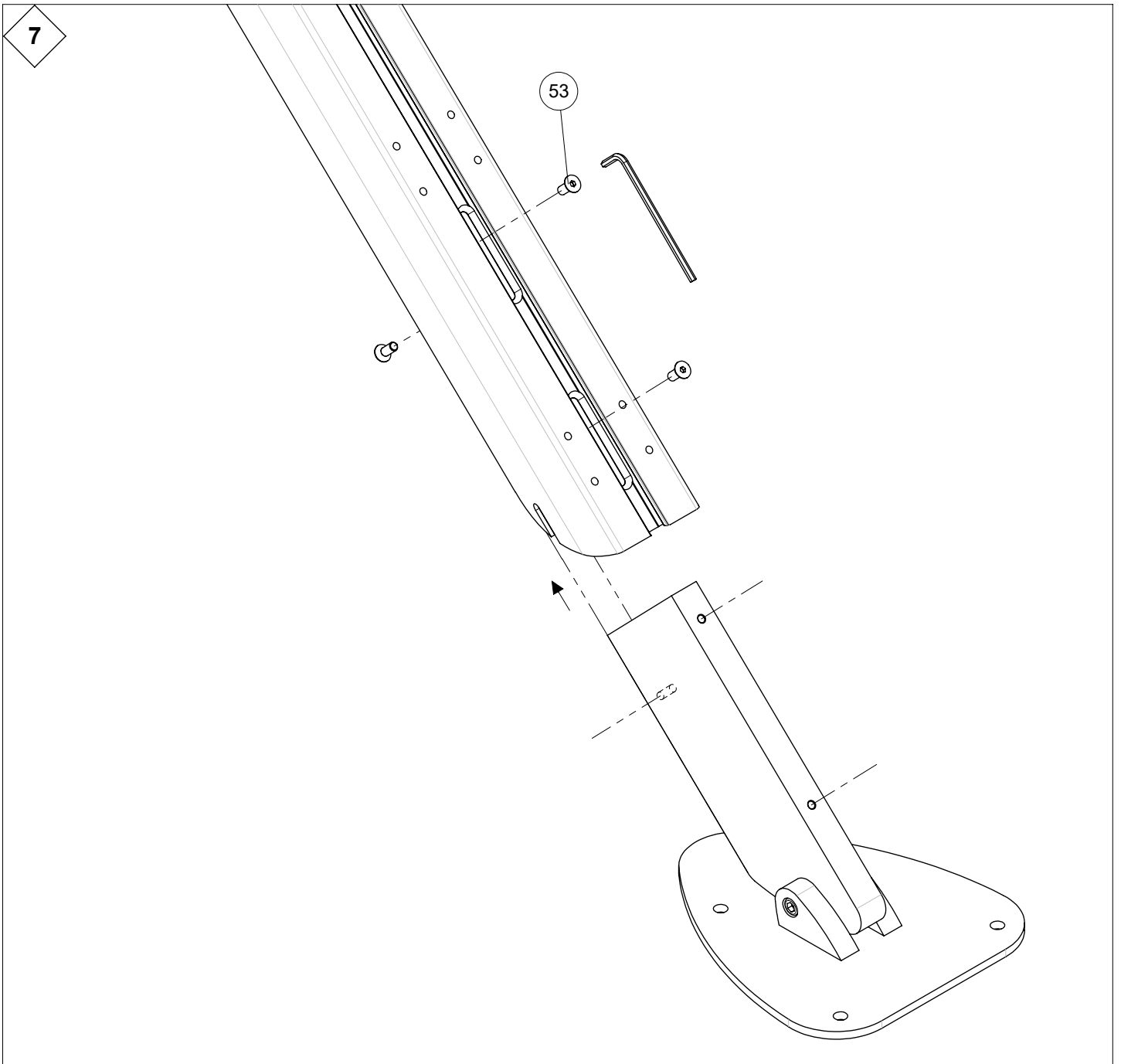
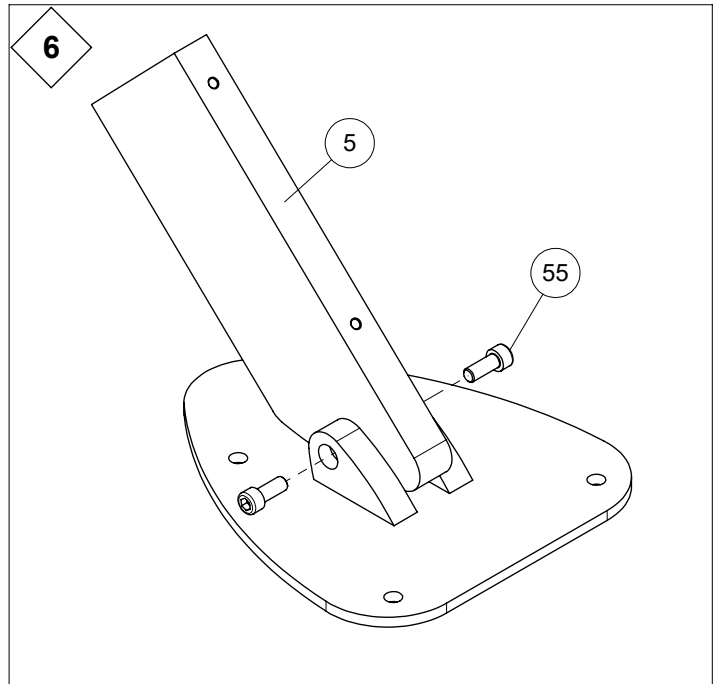
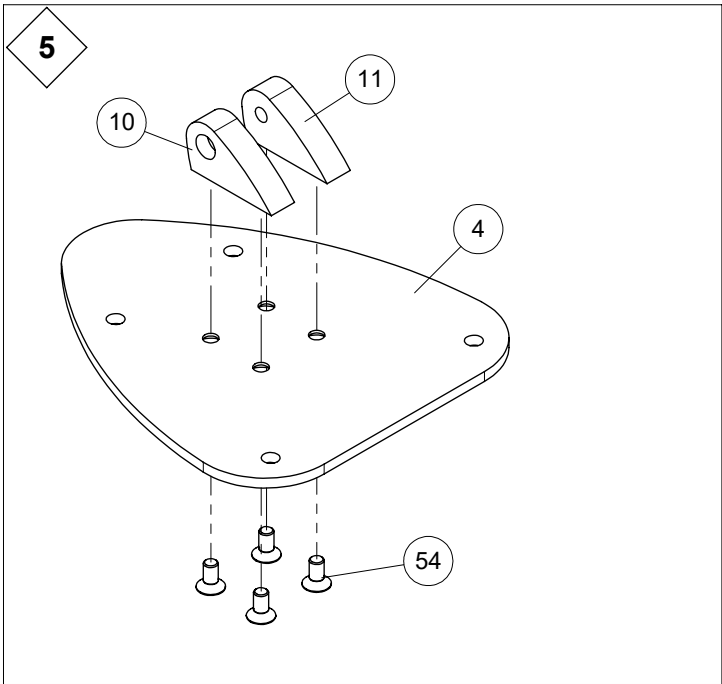
$$S = \frac{2600 \text{ mm}}{12 + 1} = 200 \text{ mm}$$



T	H mm	S mm	G mm	P °	R mm
11	2220	185	221	40,0	2427
	2250	188	219	40,6	2406
	2300	192	215	41,6	2374
	2350	196	211	42,6	2341
	2400	200	208	43,7	2309
	2450	204	204	44,7	2274
	2500	208	199	45,8	2236
	2550	213	194	46,9	2189
	2600	217	189	48,0	2148
	2650	221	185	48,8	2107
12	2405	185	221	40,0	2648
	2450	188	219	40,9	2625
	2500	192	215	41,8	2589
	2550	192	211	42,7	2552
	2600	200	208	43,7	2517
	2650	204	204	44,6	2478
	2700	208	199	45,8	2435
	2750	212	195	46,6	2393
	2800	215	191	47,6	2358
	2850	219	187	48,7	2315
13	2900	223	183	49,7	2269
	2925	225	180	50,2	2243
	2590	185	221	40,0	2869
	2600	186	220	40,2	2860
	2650	189	218	41,1	2834
	2700	193	214	41,9	2794
	2750	196	211	42,8	2763
	2800	200	208	43,7	2725
	2850	204	204	44,6	2682
	2900	207	201	45,5	2649
2950	211	197	46,4	2604	
3000	214	193	47,3	2565	
3050	218	188	48,3	2514	
3100	221	185	49,3	2477	
3150	225	180	50,2	2423	









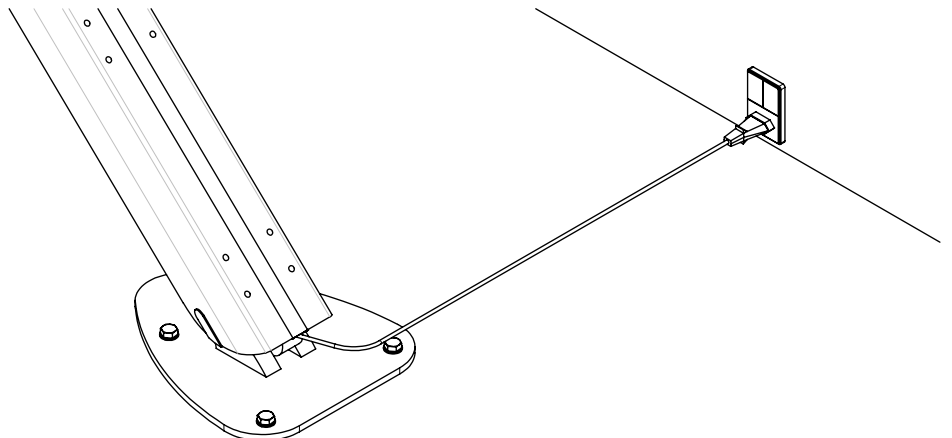
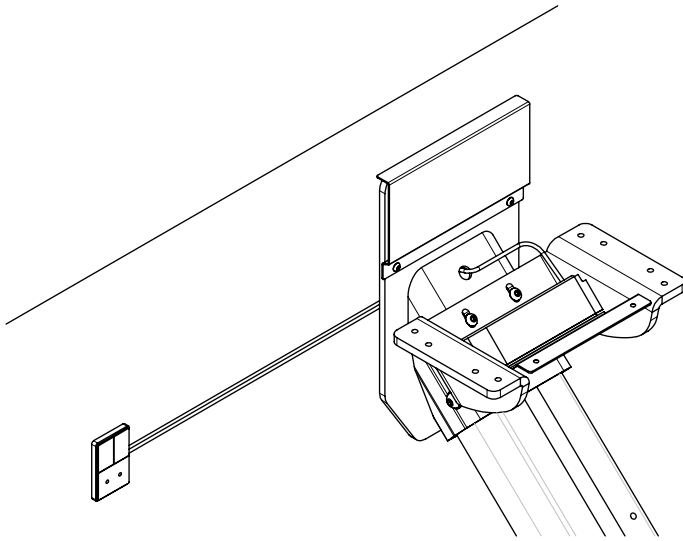
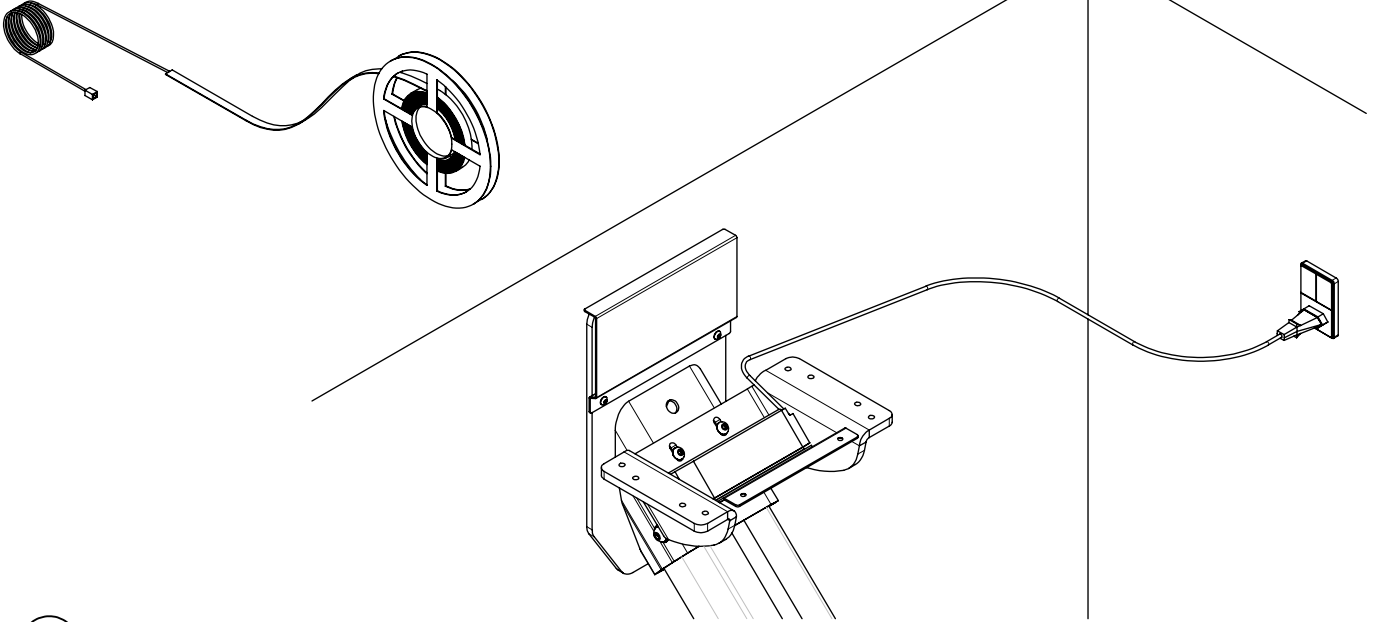
LED kit

8

11

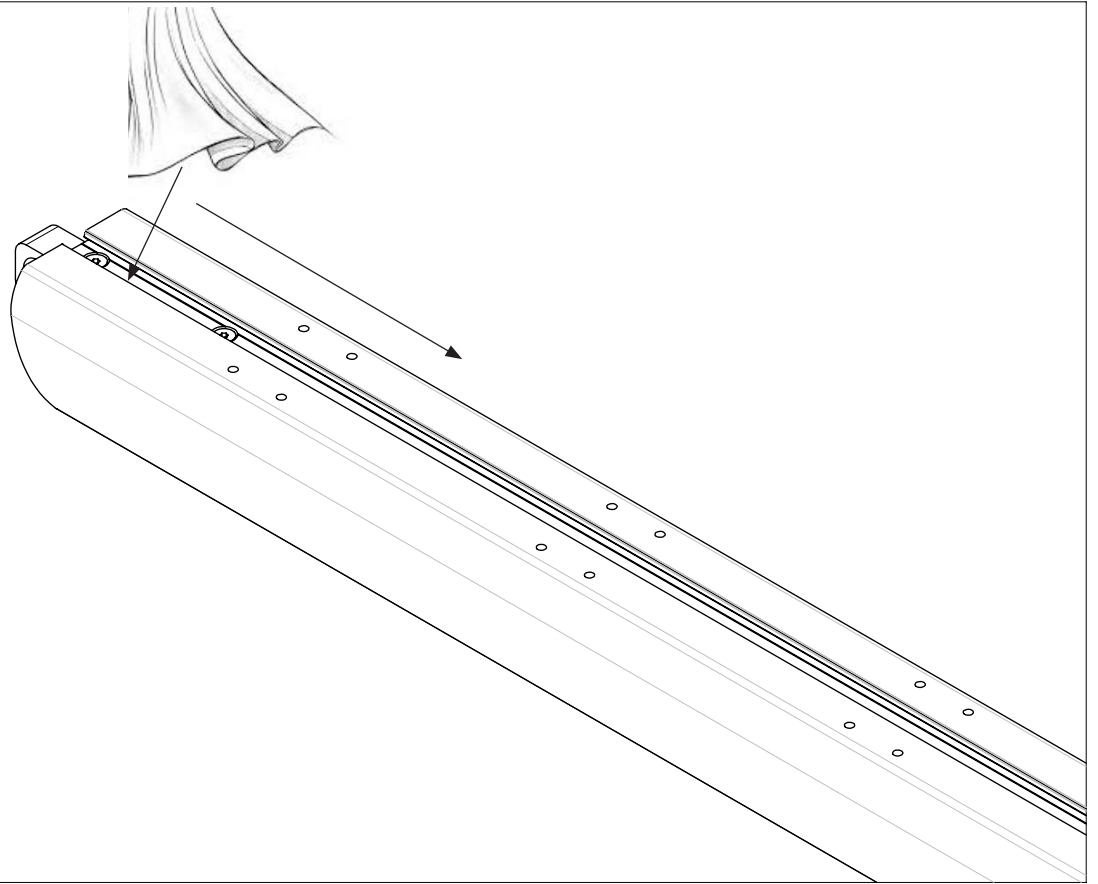
8

OPTION LED kit



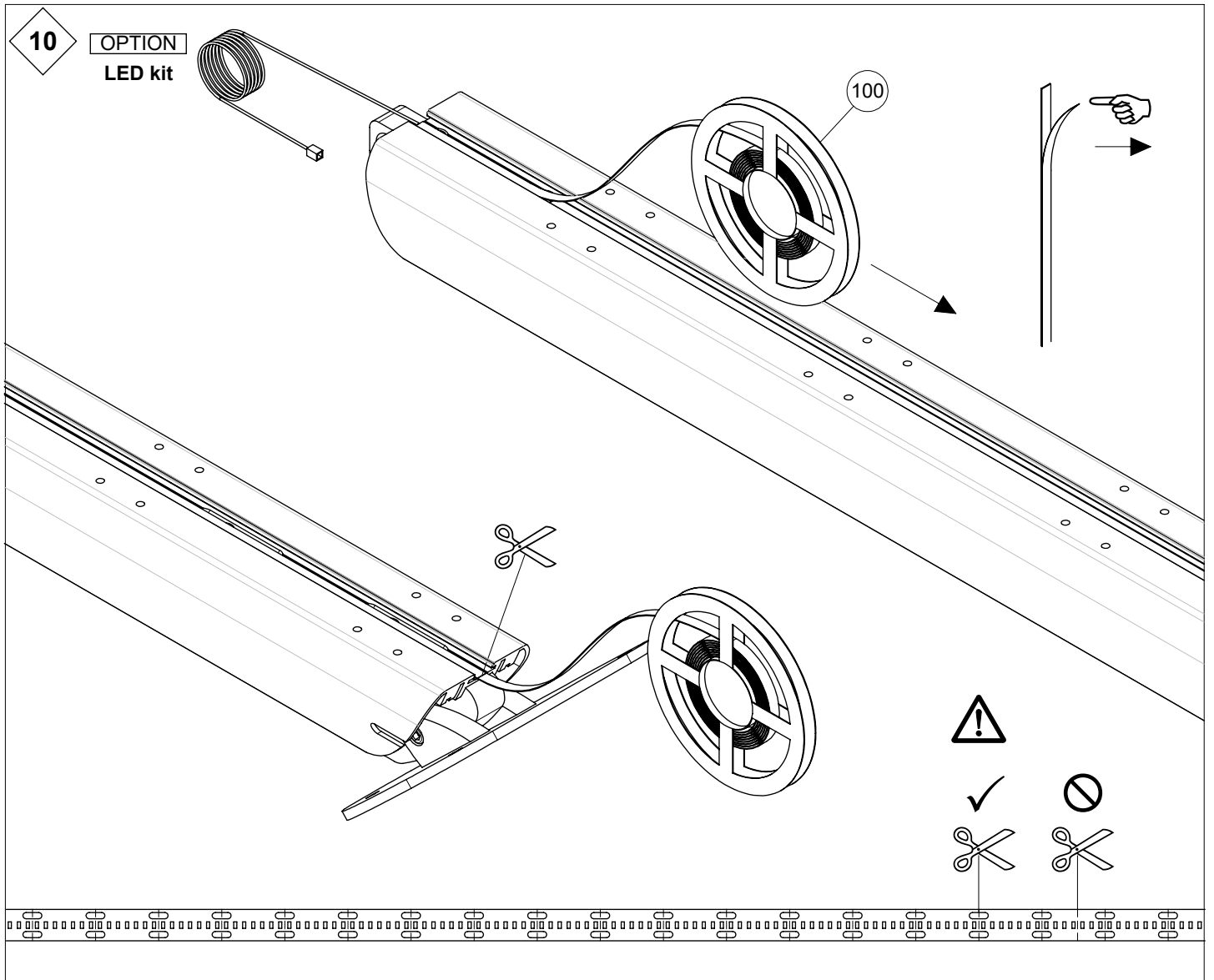
9

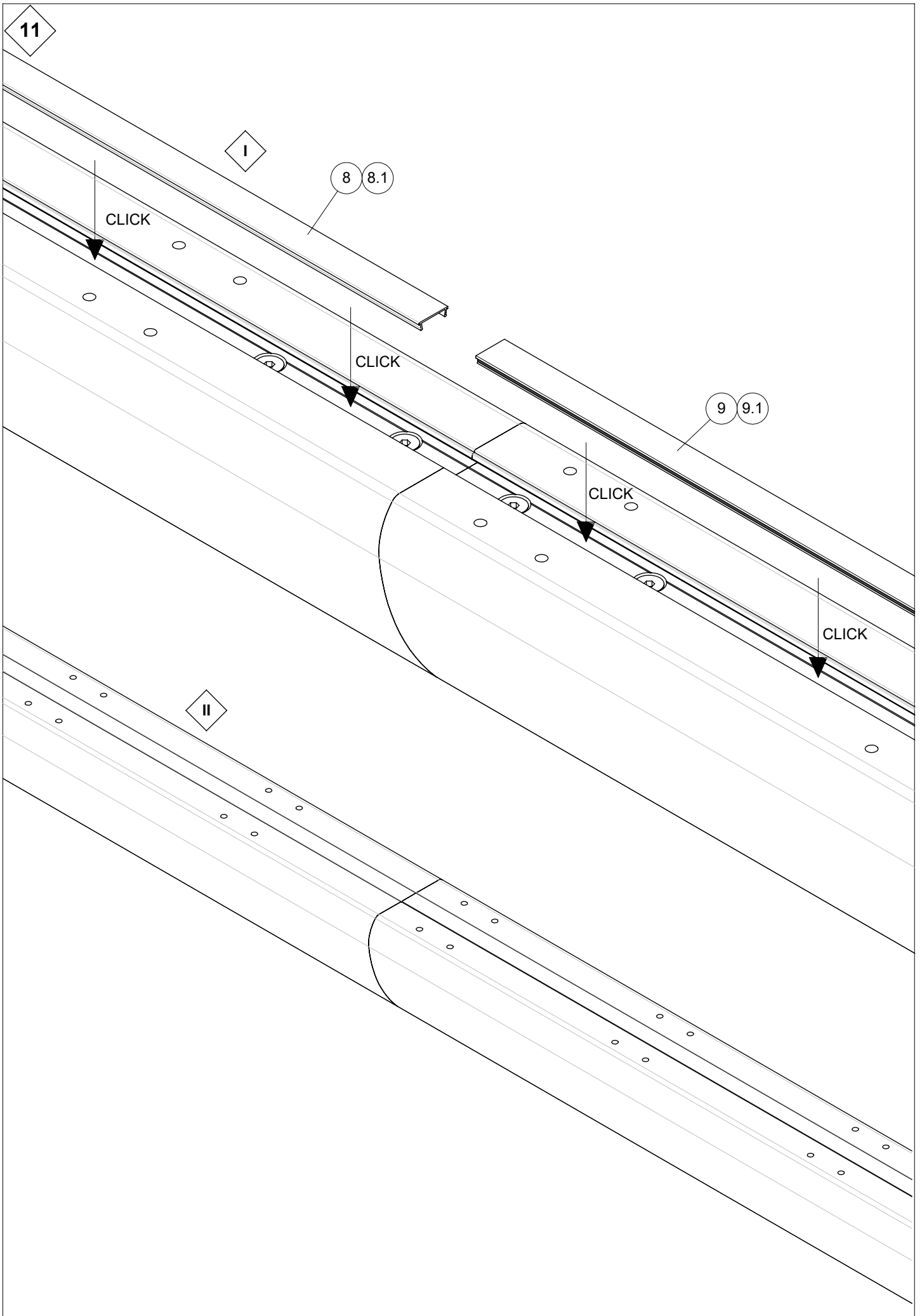
OPTION
LED kit

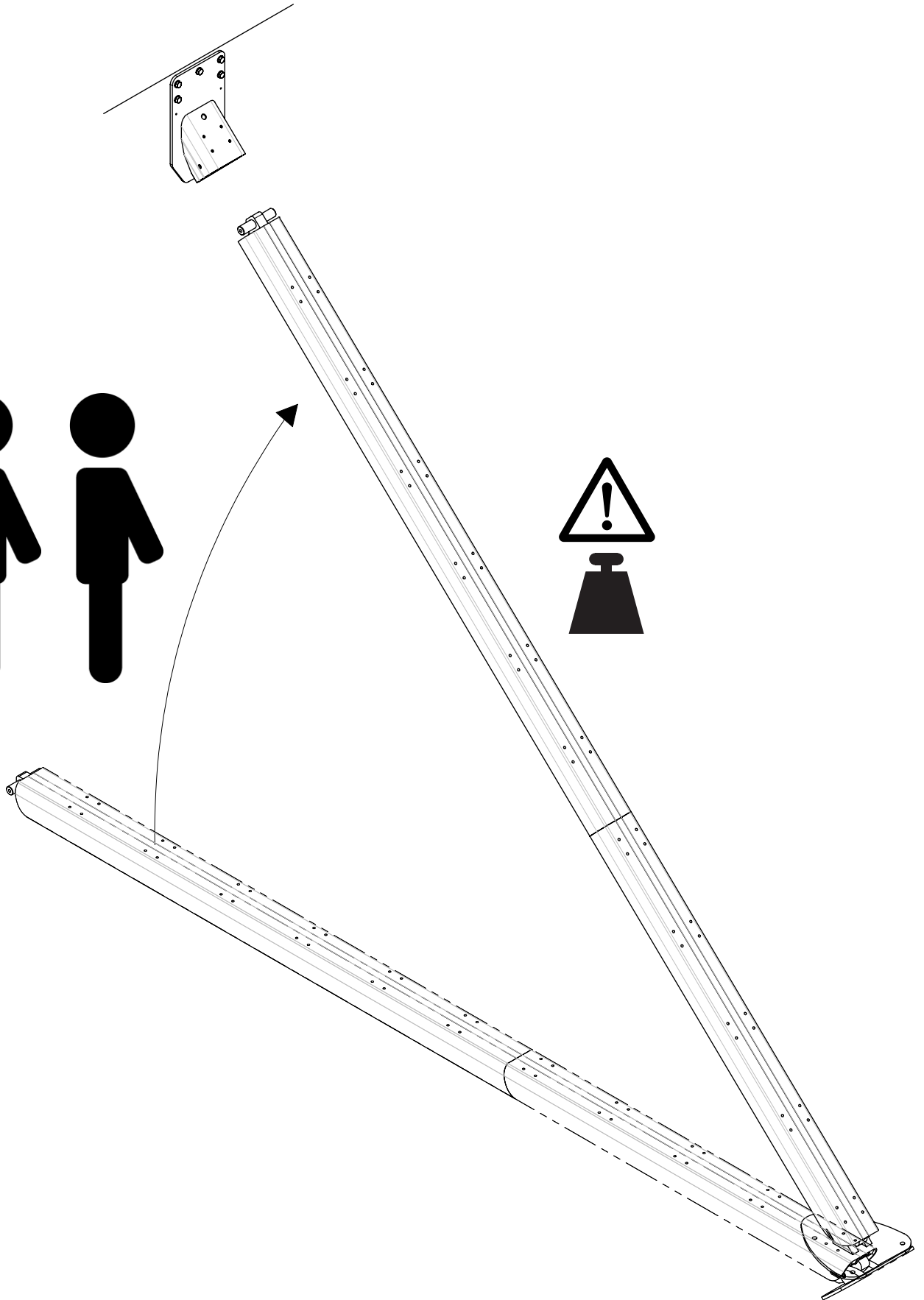


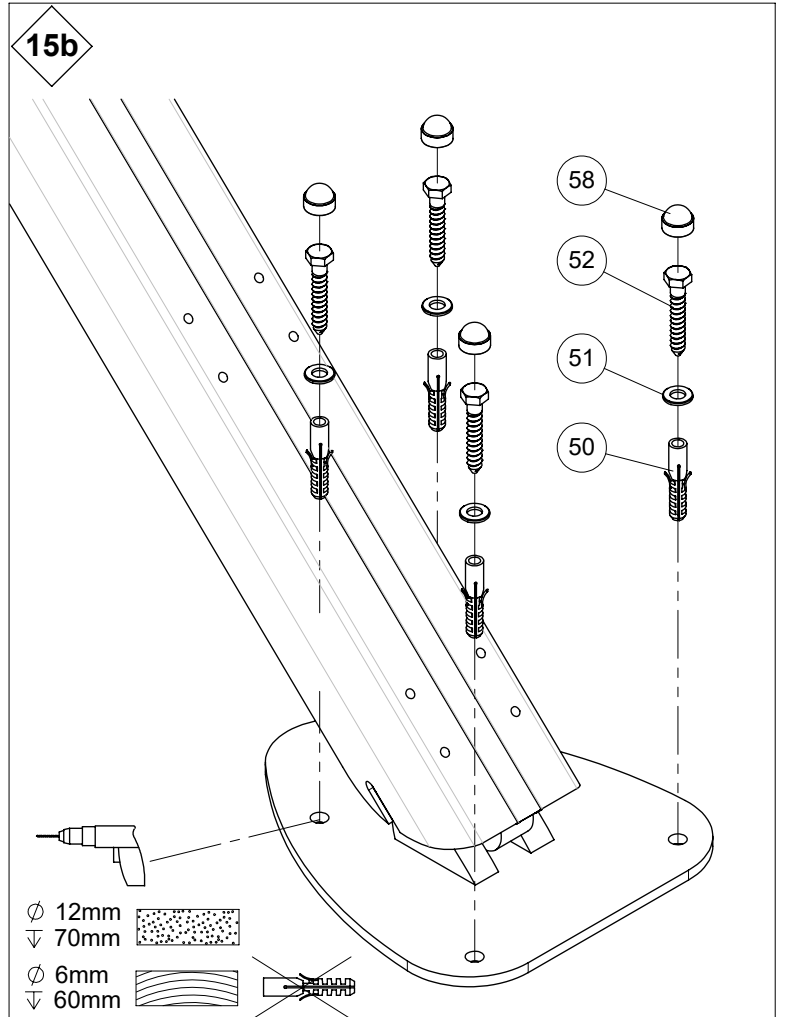
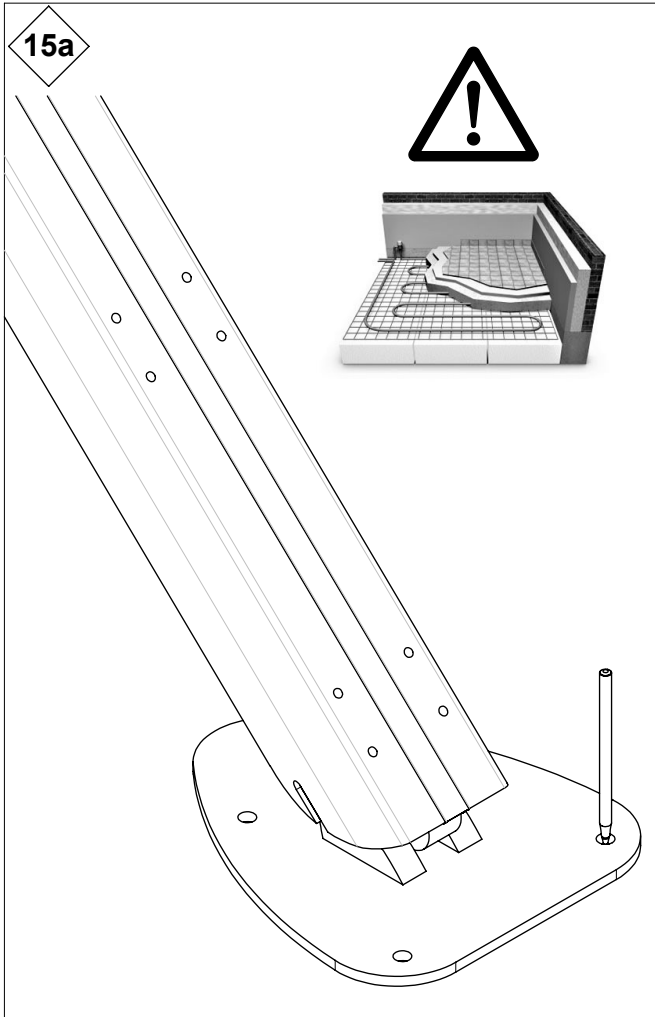
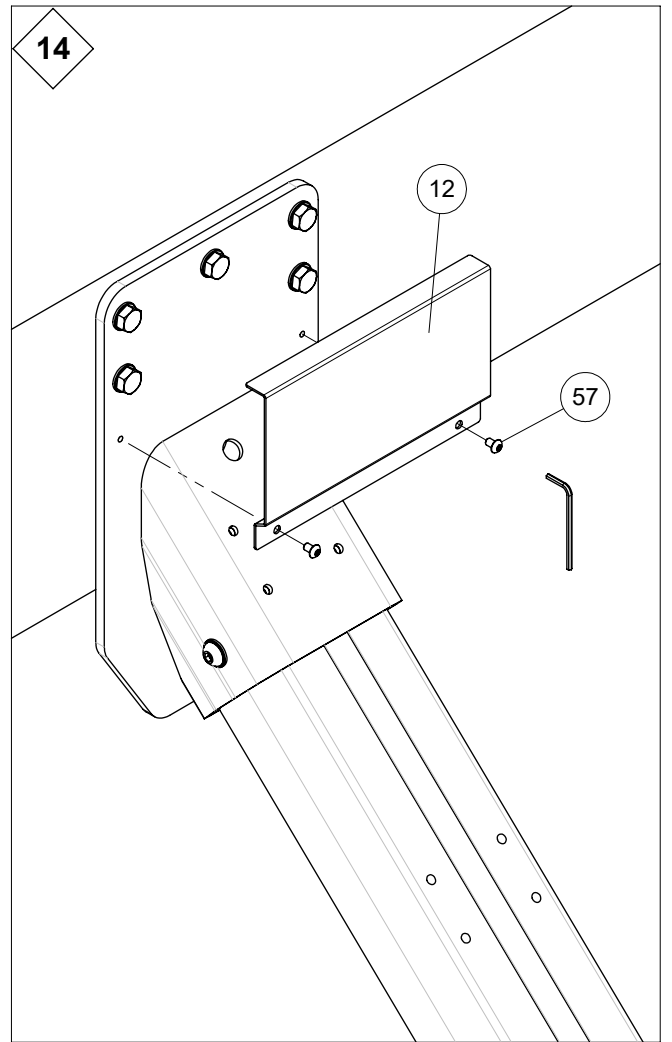
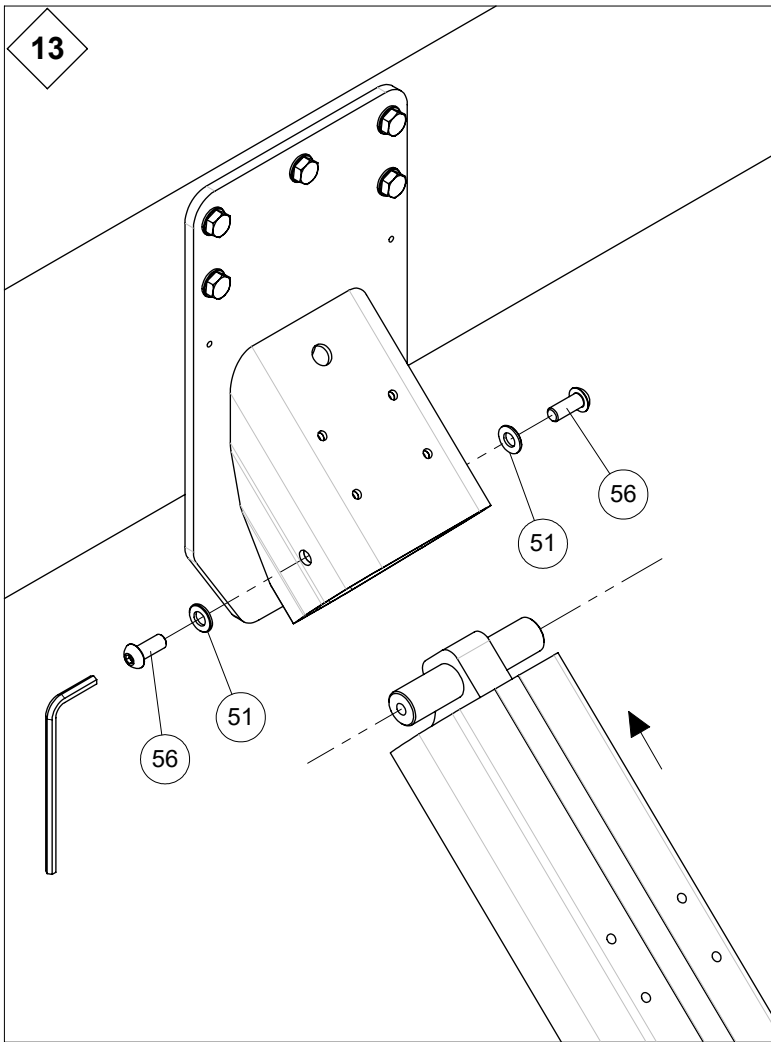
10

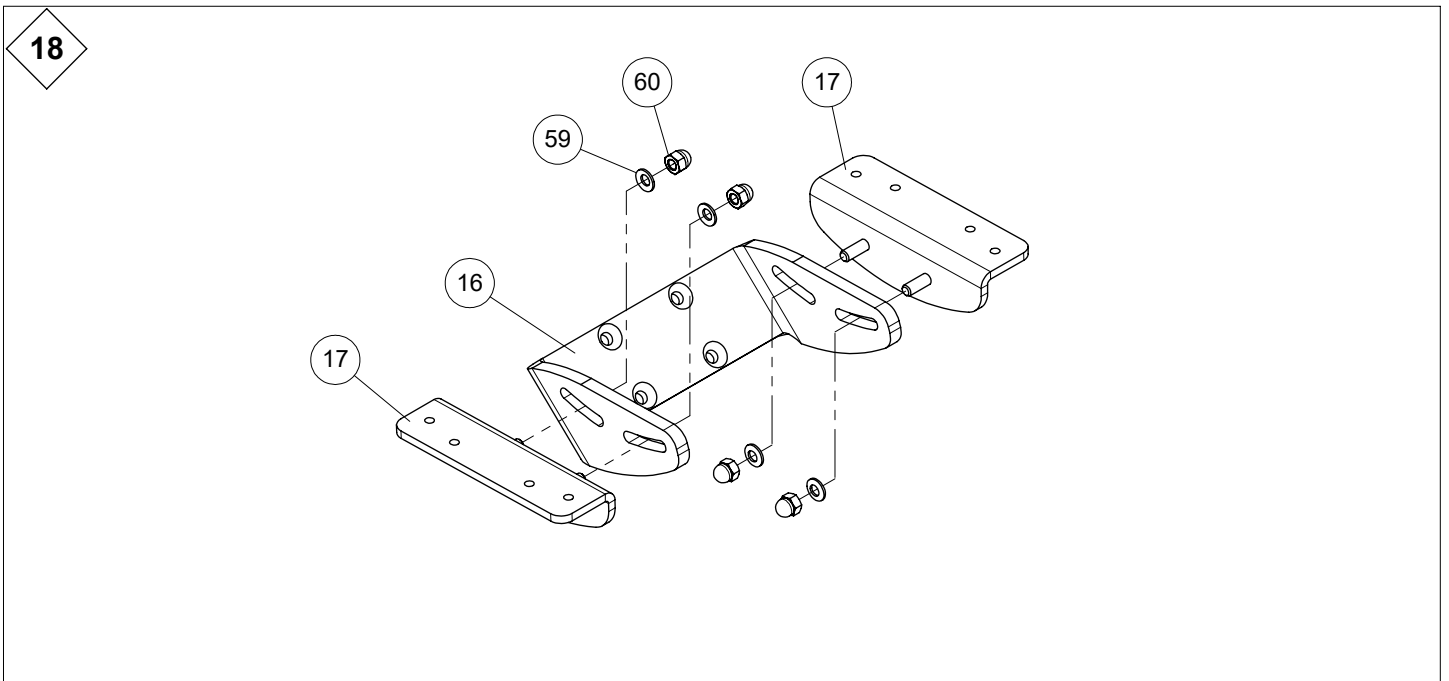
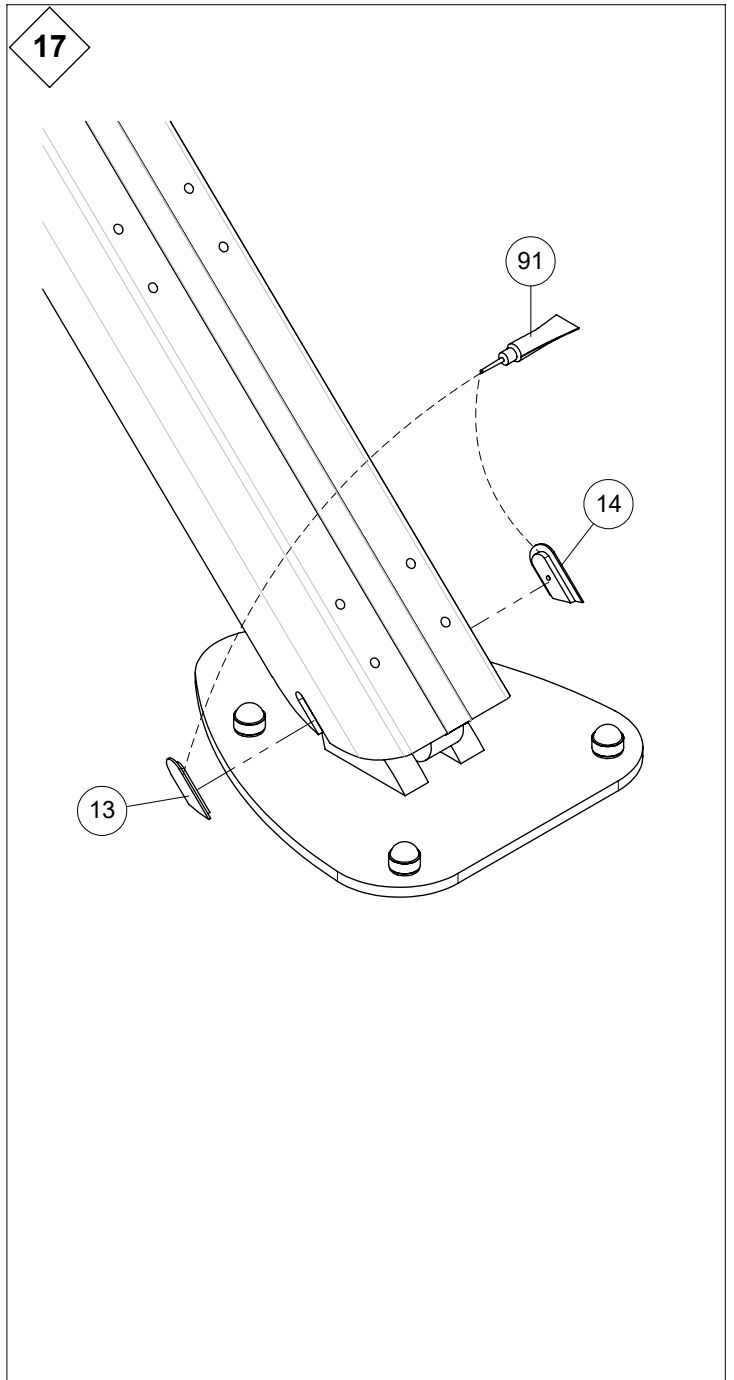
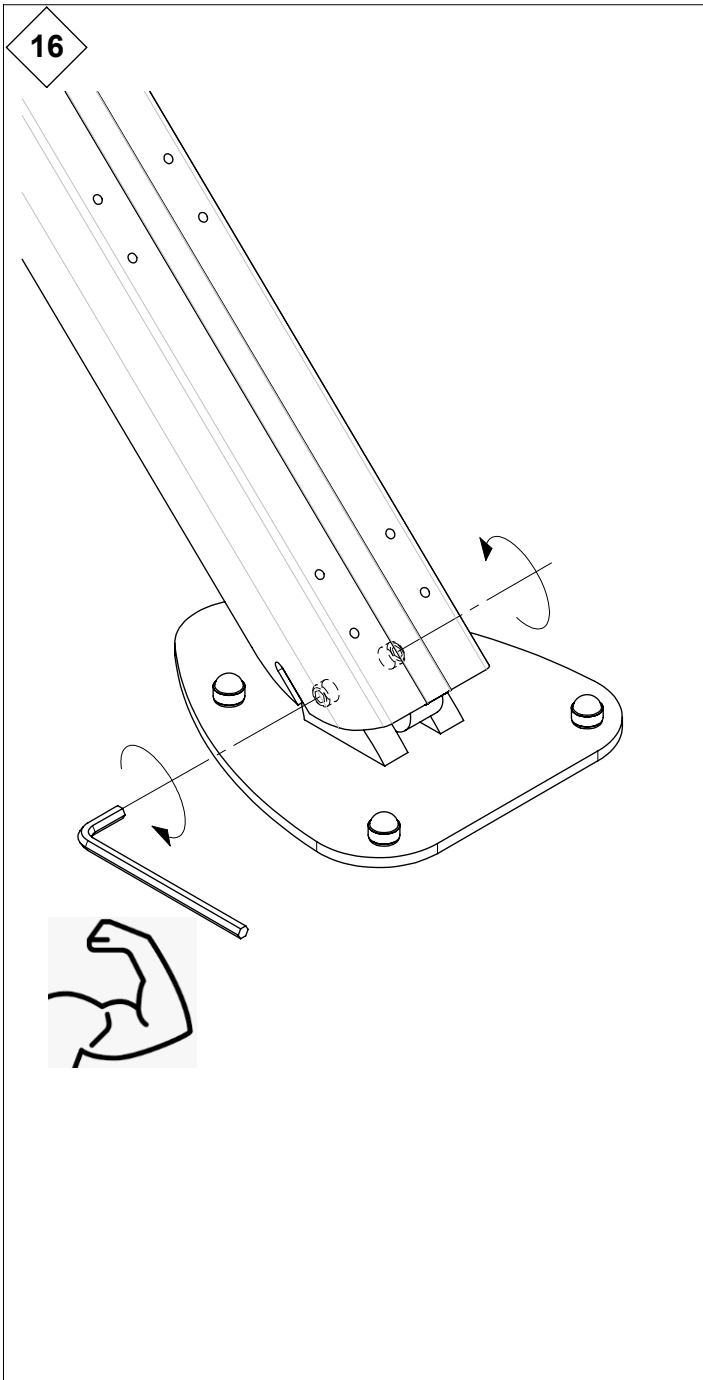
OPTION
LED kit



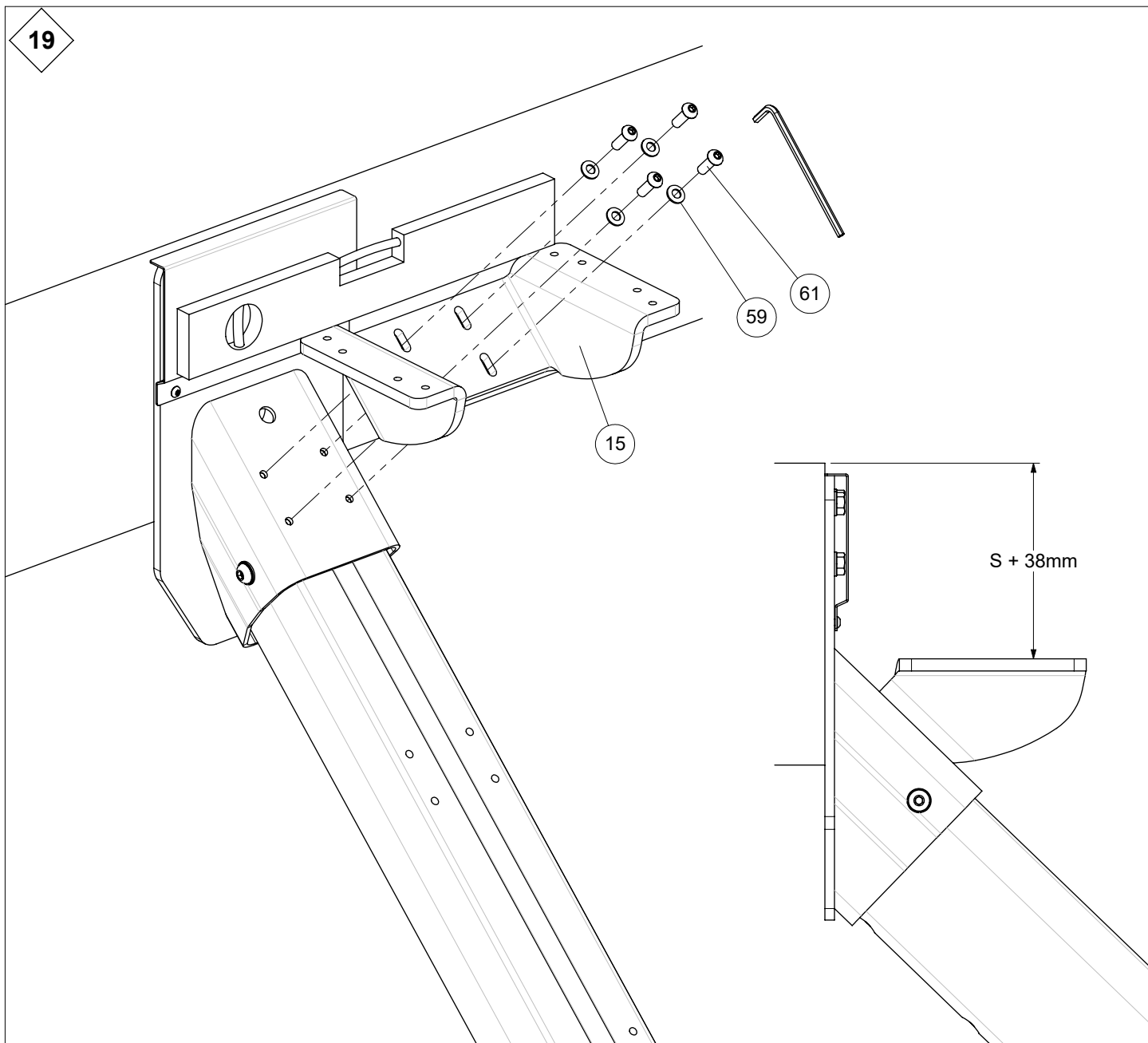




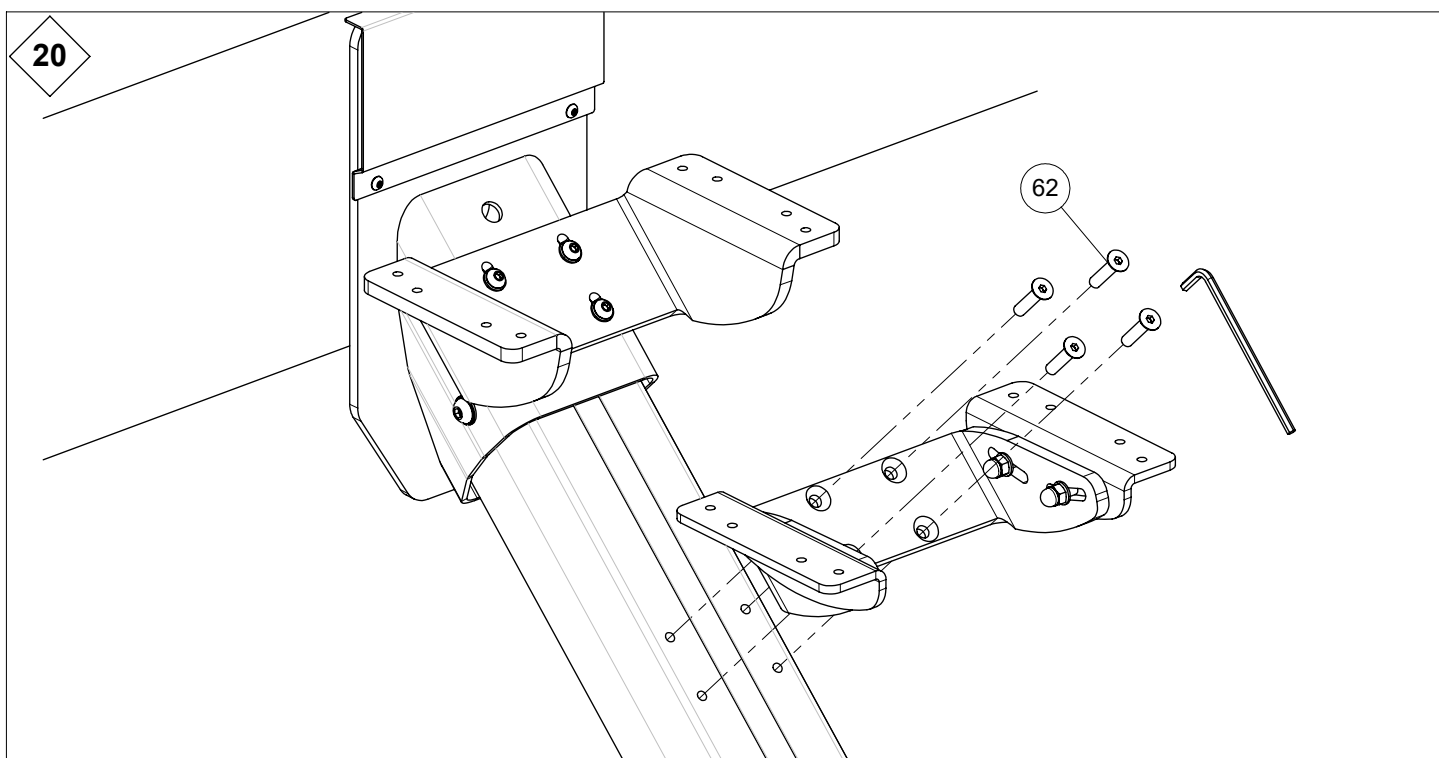


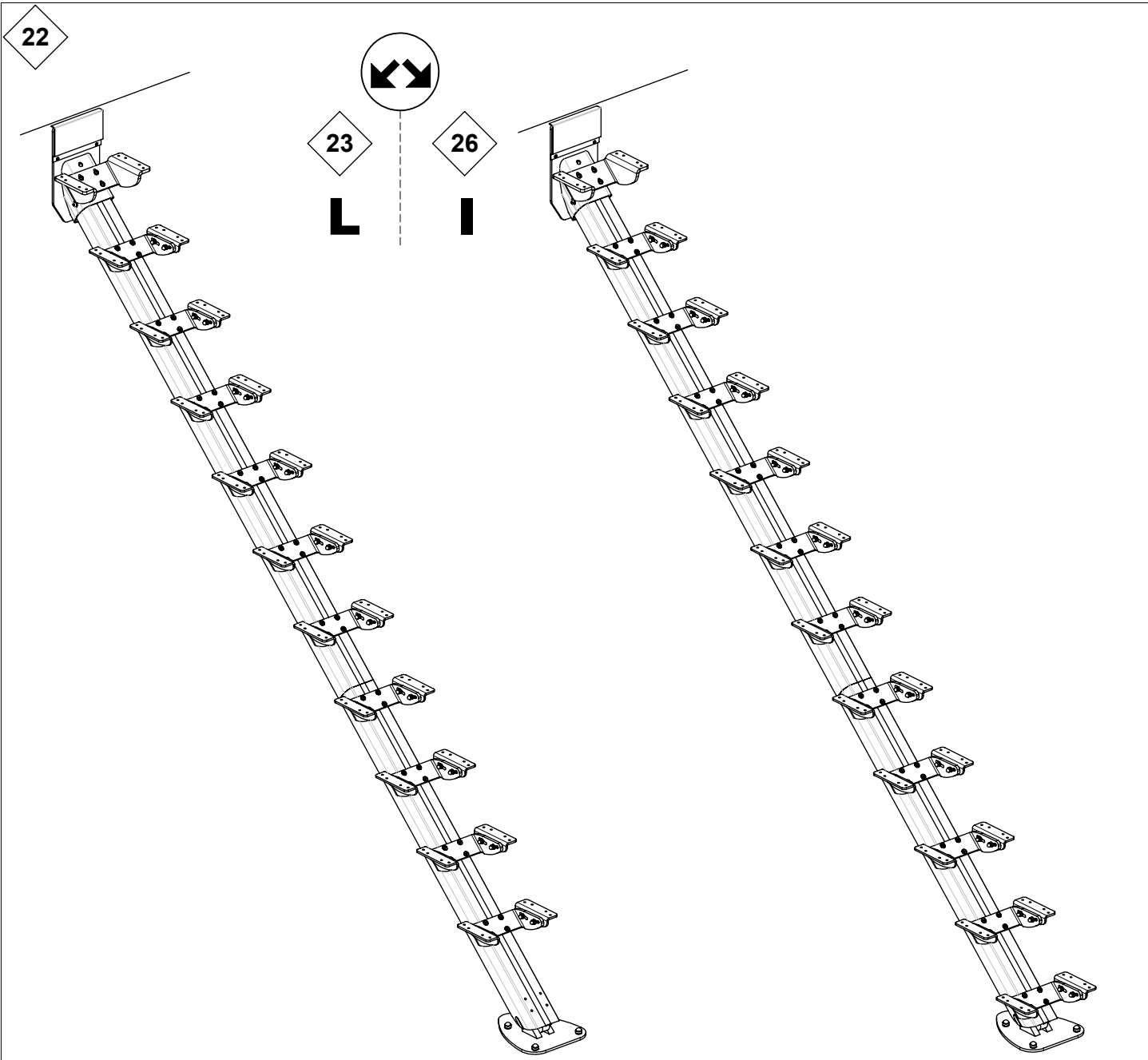
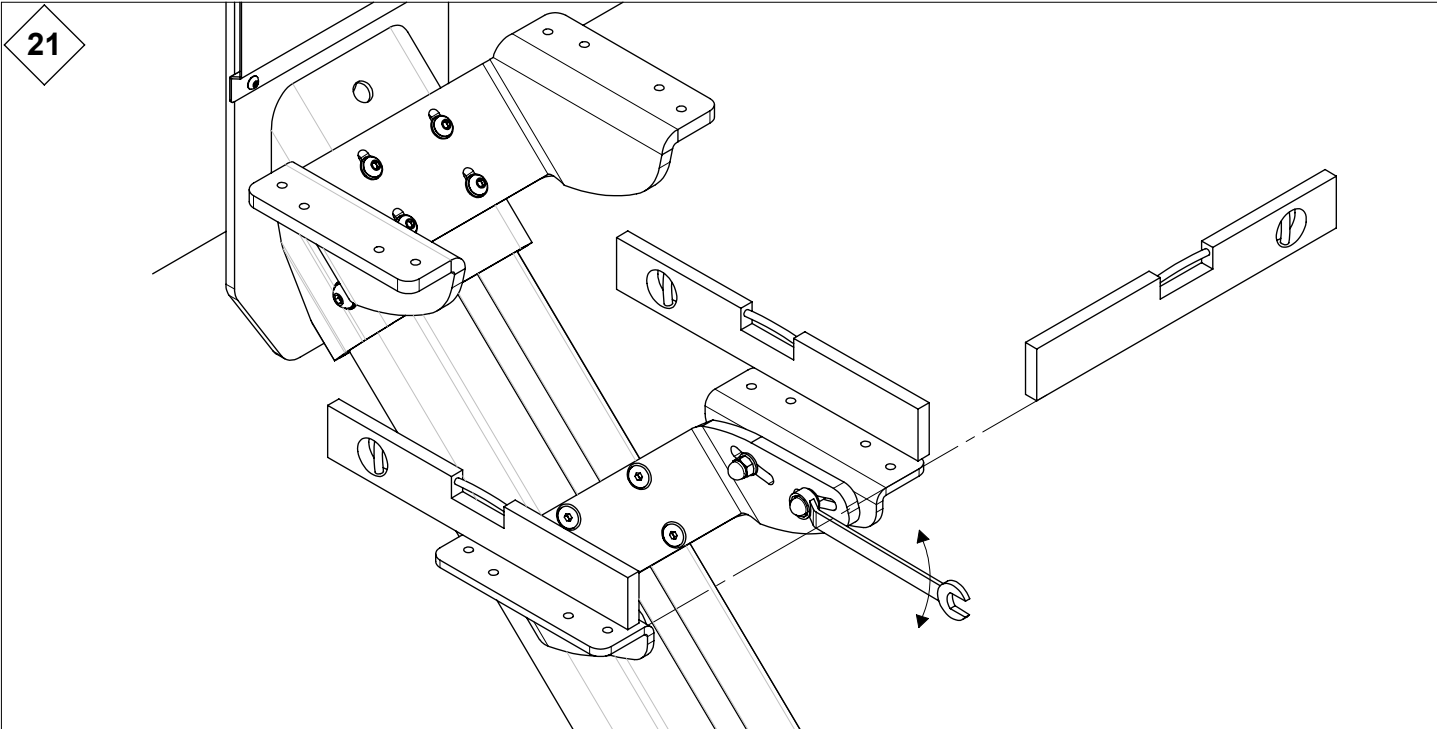


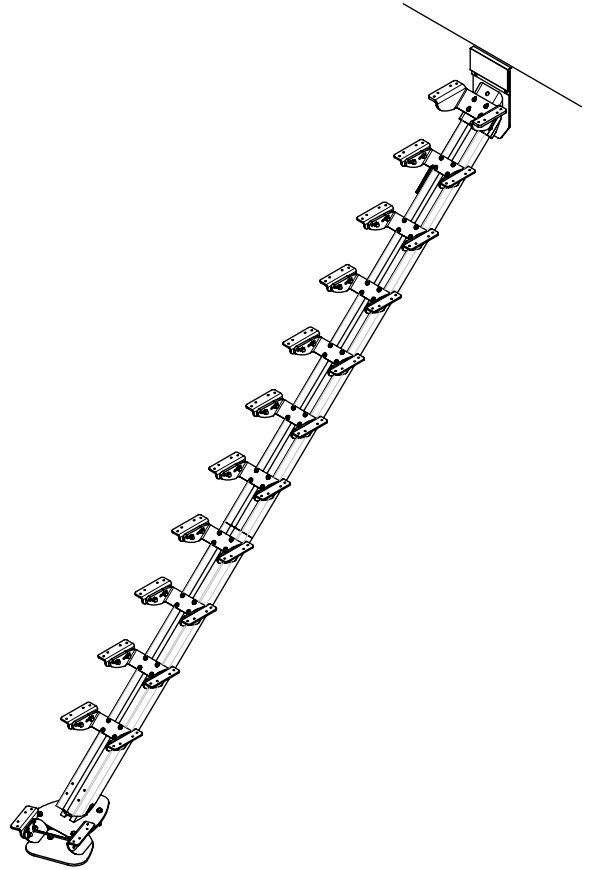
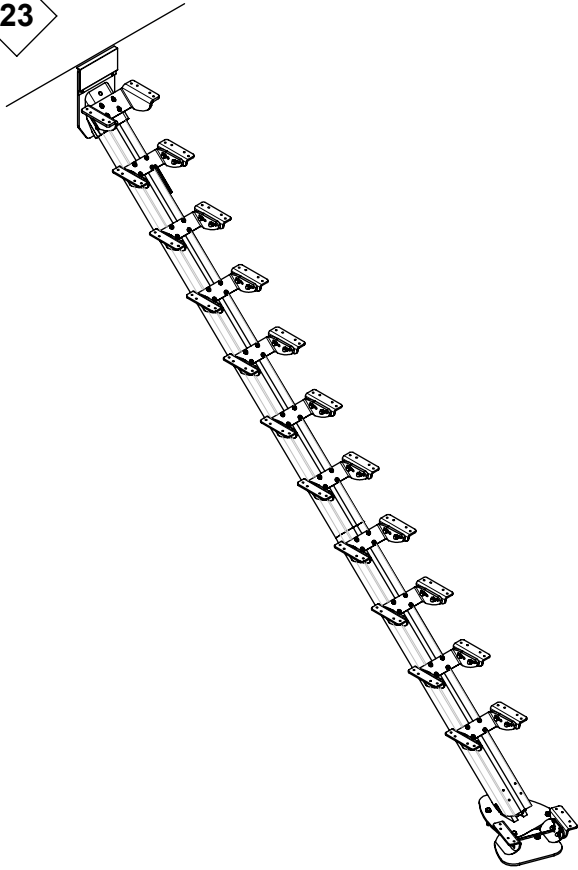
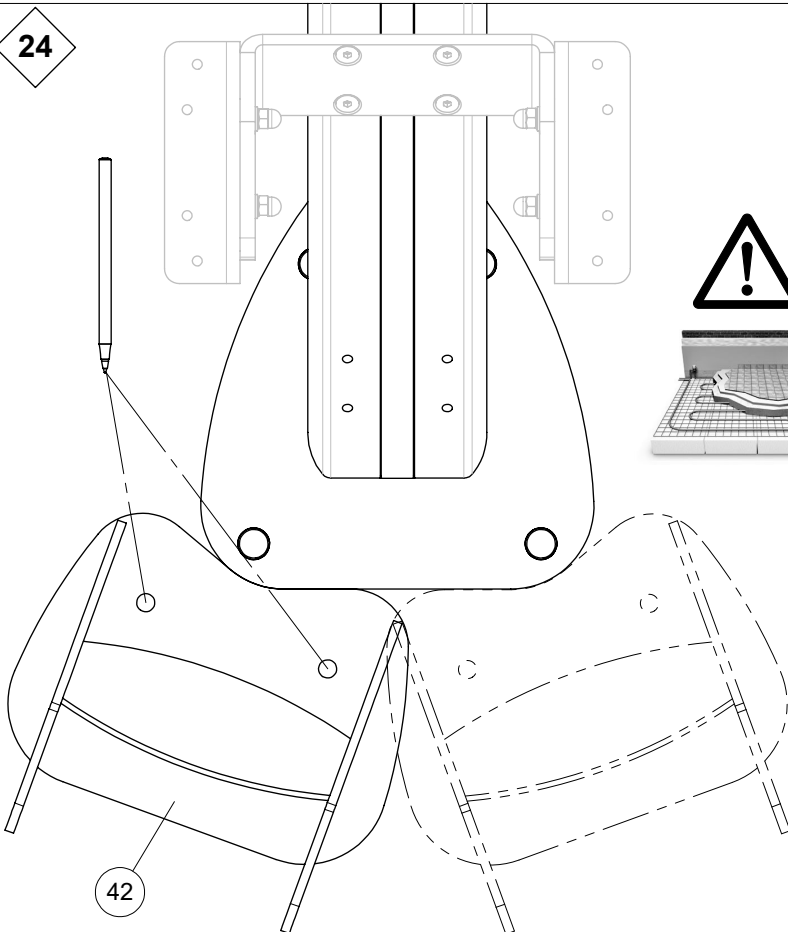
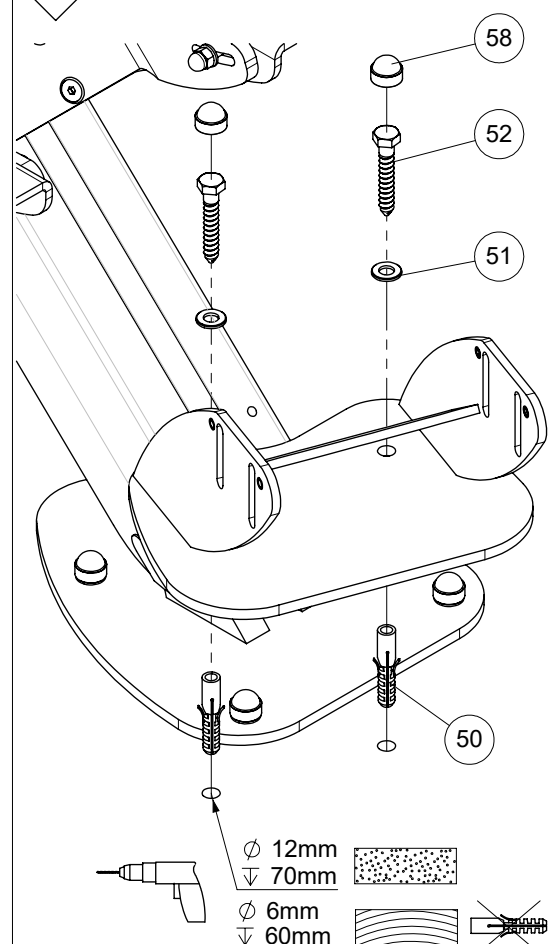
19



20



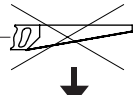


L**23****24****25**

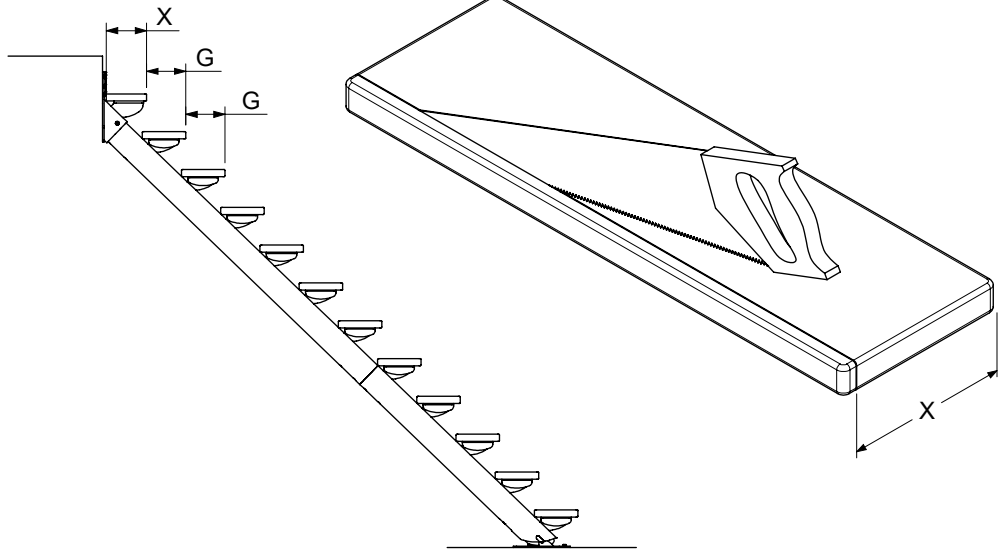
- Ø 12mm
- ▽ 70mm
- Ø 6mm
- ▽ 60mm

26

G	X
mm	mm
221	200
217	205
212	210
207	216
203	221
197	230
192	230
186	230
180	230

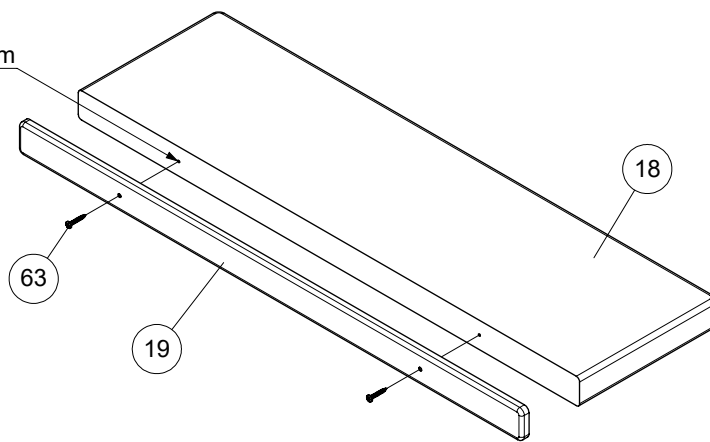
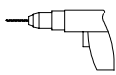


28a

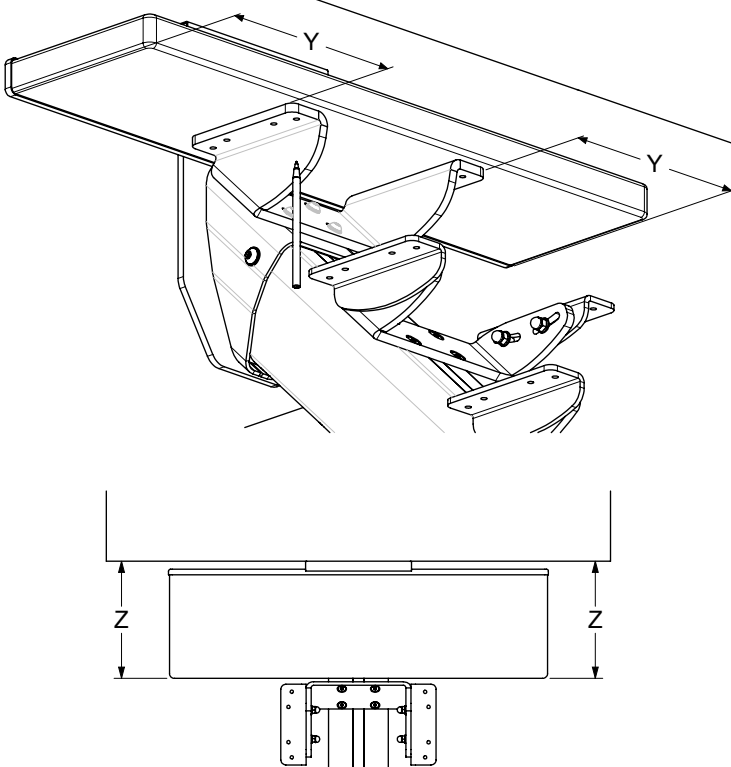


27

Ø 3mm ∇ 25mm

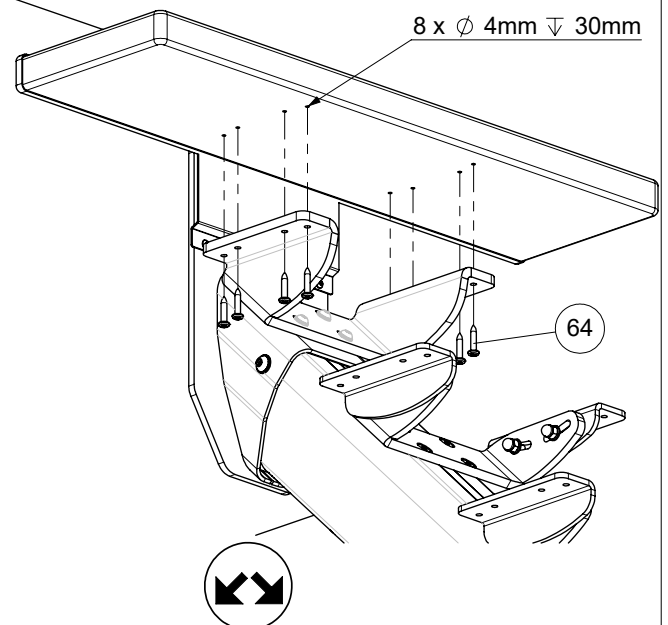
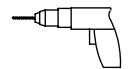


28a



28b

8 x Ø 4mm ∇ 30mm



LED kit

29

33

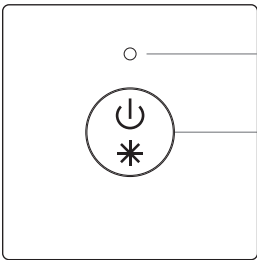
UK: RF Single Color Remote Controller
DE: RF Fernbedienung einfarbig
FR: Télécommande RF couleur unique
NL: RF-afstandsbediening met enkele kleur
PL: Pilot zdalnego sterowania do oświetlenia LED
DK: RF Enkelt farve fjernbetjening



UK: Important: Read All Instructions Prior to Installation
DE: Wichtig: Lesen Sie VOR dem Einbau die gesamte Bedienungsanleitung einmal durch!
FR: Important : Lire toutes les instructions avant installation
NL: Belangrijk: Lees alle instructies vóór installatie
PL: UWAGA! Przed montażem należy zapoznać się z całą instrukcją
DK: VIGTIGT: Læs instruktionerne før installation

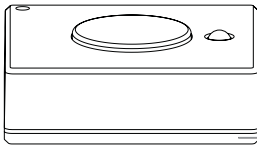
UK: Funtion introduction
DE: Erklärung Bedienung
FR: Fonctions d'introduction
NL: Inleidende functies
PL: Funkcje - wprowadzenie
DK: Anvendelse

UK: LED indicator
 DE: LED Anzeige
 FR: Indicateur LED
 NL: LED-indicator
 PL: Wskaźnik LED
 DK: LED indikator



UK: Click to turn on/off. Press and hold down to increase/decrease light intensity
 DE: Drücken zum Ein- und Ausschalten. Gedrückt halten, um die Helligkeit zu erhöhen oder zu verringern.
 FR: Cliquez pour allumer/éteindre. Maintenez le bouton enfoncé pour augmenter/diminuer l'intensité lumineuse.
 NL: Klik om aan/uit te zetten. Houd de knop ingedrukt om de lichtintensiteit te verhogen/verlagen.
 PL: Naciśnij, aby włączyć/wyłączyć oświetlenie LED. Naciśnij i przytrzymaj, aby zwiększyć/zmniejszyć intensywność oświetlenia
 DK: Klik på tænd/sluk knappen. Klik og hold knappen nede for at justere lysstyrken.

UK: Front side
 DE: Vorderseite
 FR: Face avant
 NL: Voorkant
 PL: Przednia strona
 DK: Forside



UK: If the remote is out of power, you can open the back cover and replace the battery (CR2025)
 DE: Wenn die Batterie der Fernbedienung leer ist, öffnen Sie die Rückseite und legen Sie neue Batterien ein (CR2025).
 FR: Si la télécommande n'est pas alimentée, vous pouvez ouvrir la couvercle arrière et remplacer la pile (CR2025).
 NL: Als de afstandsbediening geen stroom krijgt, kunt u de achterklep openen en de batterij (CR2025) vervangen.
 PL: W przypadku, kiedy pilot nie reaguje, otwórz tylną pokrywę i wymień baterię (CR2025)
 DK: Hvis fjernbetjeningen er tør for strøm, kan bagklappen åbnes til skift af batteri (CR2025)

UK: Operation
DE: Bedienung
FR: Fonctionnement
NL: Bediening
PL: Działanie
DK: Anvendelse

1. UK: Pair with RF receivers
 DE: Verbinden der Fernbedienung mit einem RF Empfänger
 FR: Appairage avec les récepteurs RF
 NL: Koppelen met RF-ontvangers
 PL: Sparuj z odbiornikami
 DK: Forbind med RF modtagere

a) UK: Click "Learning Key" on RF receiver
 DE: Drücken Sie "Learning Key" am RF Empfänger.
 FR: Cliquez sur "Learning Key" (clé d'apprentissage) sur le récepteur RF
 NL: Klik op "Learning Key" op de RF-ontvanger
 PL: Zaciśnij "Learning Key" na odbiorniku
 DK: "Klik "Learning Key" på RF modtageren"

b) UK: Click the on/off button on RF remote
 DE: Drücken Sie den on/off Knopf auf der RF Fernbedienung.
 FR: Cliquez sur le bouton marche/arrêt sur la télécommande RF
 NL: Klik op de aan/uit-knop van de RF-afstandsbediening
 PL: Naciśnij przycisk ON/OFF na pilocie
 DK: Klik på tænd/sluk knap på RF fjernbetjeningen

c) UK: LED lights connected with the RF receiver will flicker once
 DE: Das LED Licht, das mit dem RF Empfänger verbunden ist, flackert dann einmal kurz auf.
 FR: Les voyants lumineux connectés au récepteur RF clignotent une fois.
 NL: De LED verlichting die geconnecteerd zijn met de RF ontvanger zullen éénmalig oplichten.
 PL: Po podłączeniu diody LED zamigotają raz
 DK: LED lys forbundet med RF modtageren

d) UK: The receiver is paired with remote successfully.
 DE: Danach ist der Empfänger erfolgreich mit der Fernbedienung verbunden.
 FR: Le récepteur est appairé avec succès télécommande avec succès.
 NL: De ontvanger is succesvol gekoppeld met de afstandsbediening.
 PL: Odbiornik został połączony z pilotem
 DK: Modtageren er nu succesfuldt forbundet med fjernbetjeningen.

2. UK: How to delete the pairing:
 DE: Verbindung zwischen RF Empfänger und Fernbedienung trennen:
 FR: Comment annuler l'appairage:
 NL: Hoe de koppeling te annuleren:
 PL: Jak usunąć sparowanie
 DK: Sådan fjernes en forbindelse

UK: Press and hold down "Learning Key" on the receiver for over 3 seconds until connected LED lights flicker twice, which means the pairing is deleted successfully.
 DE: Drücken Sie die Taste "Learning Key" am Empfänger und halten sie diese mehr als 3 Sekunden gedrückt bis das verbundene LED Licht 2x blinkt. Dann ist die Verbindung getrennt.
 FR: Appuyez sur la touche "Learning Key" (clé d'apprentissage) du récepteur et maintenez-la enfoncée pendant plus de 3 secondes jusqu'à ce que les voyants LED connectés clignotent deux fois, ce qui signifie que l'appairage est annulé avec succès.
 NL: Houd de "Learning Key" knop op de ontvanger langer dan 3 seconden ingedrukt totdat de aangesloten LED's twee keer knipperen. Dit betekent dat de koppeling met succes is geannuleerd.
 PL: Naciśnij i przytrzymaj "Learning Key" na odbiorniku przez ponad 3 sekundy, aż połączona dioda LED zamigotają dwa razy.
 DK: "Klik og hold knappen "Learning Key" på modtageren i mere end 3 sekunder indtil det forbundne LED lys blinker to gange, hvilket betyder at afbyrdselsen nu er gennemført."

09.2807S.04134

UK: Product Data
DE: Produktdaten
FR: Données relatives au produit
NL: Productgegevens
PL: Dane produktu
DK: Produktinfo

UK: Output DE: Ausgabe FR: Tension de sortie NL: Uitgang PL: Wyjście DK: Output	UK: RF signal DE: RF Signal FR: Signal RF NL: RF-signaal PL: Sygnał radiowy DK: FR signal
UK: Operation Frequency DE: Betriebsfrequenz FR: Fréquence d'utilisation NL: Gebruiksfrequentie PL: Częstotliwość DK: Driftsfrekvens	868/915/434MHz
UK: Power Supply DE: Stromversorgung FR: Alimentation électrique NL: Stroomvoorziening PL: Zasilanie DK: Strømforsyning	UK: 3V(CR2025 battery) DE: 3V(CR2025 Batterien) FR: 3V (batterie CR2025) NL: 3V (CR2025-batterij) PL: 3V(bateria CR2025) DK: 3V(CR2025 batteri)
UK: Operating temperature DE: Betriebstemperatur FR: Plage de températures d'utilisation NL: Werkende temperatuurwaaijer PL: Temperatura pracy DK: Driftstemperatur	0-40°C
UK: Relative humidity DE: Relative Luftfeuchtigkeit FR: Humidité relative NL: Relatieve vochtigheid PL: Wilgotność DK: Relativ fugtighed	8% - 80%
UK: Dimensions DE: Maße FR: Dimensions NL: Afmetingen PL: Wymiary DK: Dimensioner	32 x 32 x 9.8 mm

UK: Control 1 zone
DE: Für 1 Kontrollzone
FR: Zone de contrôle 1
NL: Controle Zone 1
PL: Strefa kontroli 1
DK: Kontrolerer 1 zone

UK: Single color controller
DE: Einfarbige Fernbedienung
FR: Contrôleur couleur unique
NL: Controller voor enkele kleur
PL: Pilot zdalnego sterowania do oświetlenia LED (1 kolor)
DK: Enkelt farve betjening

UK: Memory Function
DE: Memory Funktion
FR: Fonction mémoire
NL: Opslag functie
PL: Funkcja Zapamiętywania (Memory)
DK: Memory funktion

UK: Compatible with all universal series RF receivers
DE: Kompatibel mit allen RF Empfängern der Serie
FR: Compatible avec tous les récepteurs RF universels
NL: Compatibel met alle universele RF-ontvangers
PL: Kompatybilne z uniwersalnymi odbiornikami radiowymi RF
DK: Kompatibel med alle universale RF modtagere

UK: 1 receiver can be paired by max 8 different remote controls
DE: Ein Empfänger kann mit maximal 8 anderen Fernbedienungen gekoppelt werden.
FR: 1 récepteur peut être appairé pour max 8 télécommandes différentes
NL: 1 ontvanger kan gekoppeld worden met tot 8 verschillende afstandsbedieningen
PL: 1 odbiornik może być sparowany z max. 8 pilotami zdalnego sterowania
DK: 1 modtager kan forbindes til maks. 8 forskellige fjernbetjeninger

UK: Waterproof grade: IP20 not waterproof
DE: Grad der Wasserfestigkeit: IP20 Nicht wasserfest
FR: Degré d'étanchéité: IP20 non étanche
NL: Waterdichtheitsgraad: IP20 niet waterproof
PL: Wodoodporność: IP20 nie jest wodoodporny
DK: Vandtæt rating: IP20 ikke vandtæt

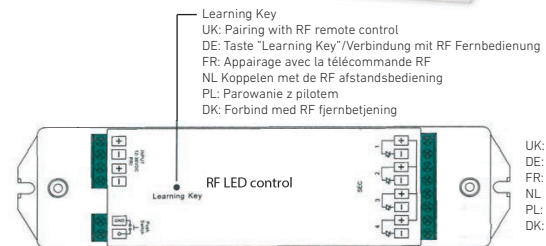
UK: Safety & Warnings
DE: Sicherheit und Warnhinweise
FR: Sécurité et mises en garde
NL: Veiligheidsvoorschriften en waarschuwingen
PL: Bezpieczeństwo i ostrzeżenia
DK: Sikkerhed & Advarsel

UK: This device contains a button lithium battery that shall be stored and disposed properly.
 DE: Dieses Gerät enthält eine Lithium-Knopfbatterie, die fachgerecht aufbewahrt und entsorgt werden muss.
 FR: Cet appareil contient une pile bouton au lithium qui doit être stockée et recyclée conformément aux consignes.
 NL: Dit toestel bevat een lithium knoop celbatterij die volgens de instructies bewaard en gerecycleerd moeten worden.
 PL: Urządzenia zawiera baterię litową, która powinna być przechowywana, a po wyczerpaniu oddana w wyznaczonym punkcie
 DK: Denne enhed indeholder et lithiumbatteri som bør opbevares og bortskaffes korrekt.

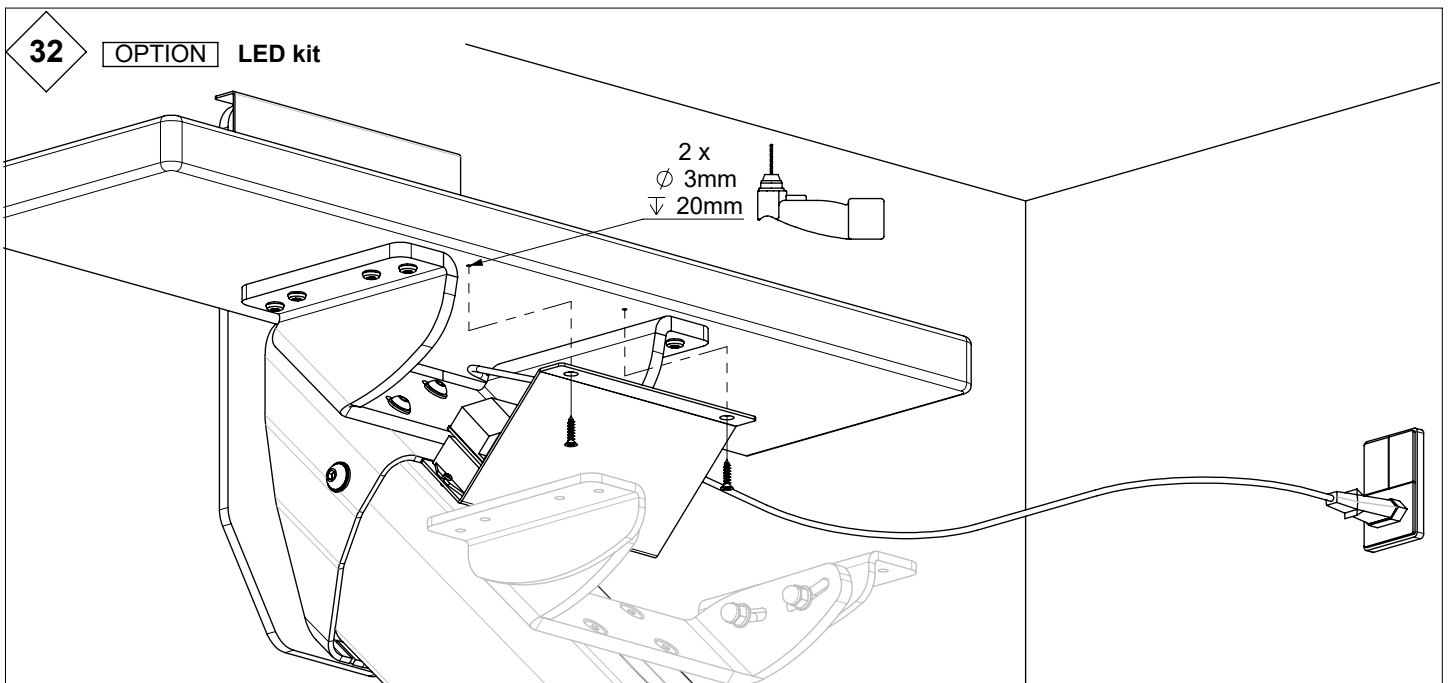
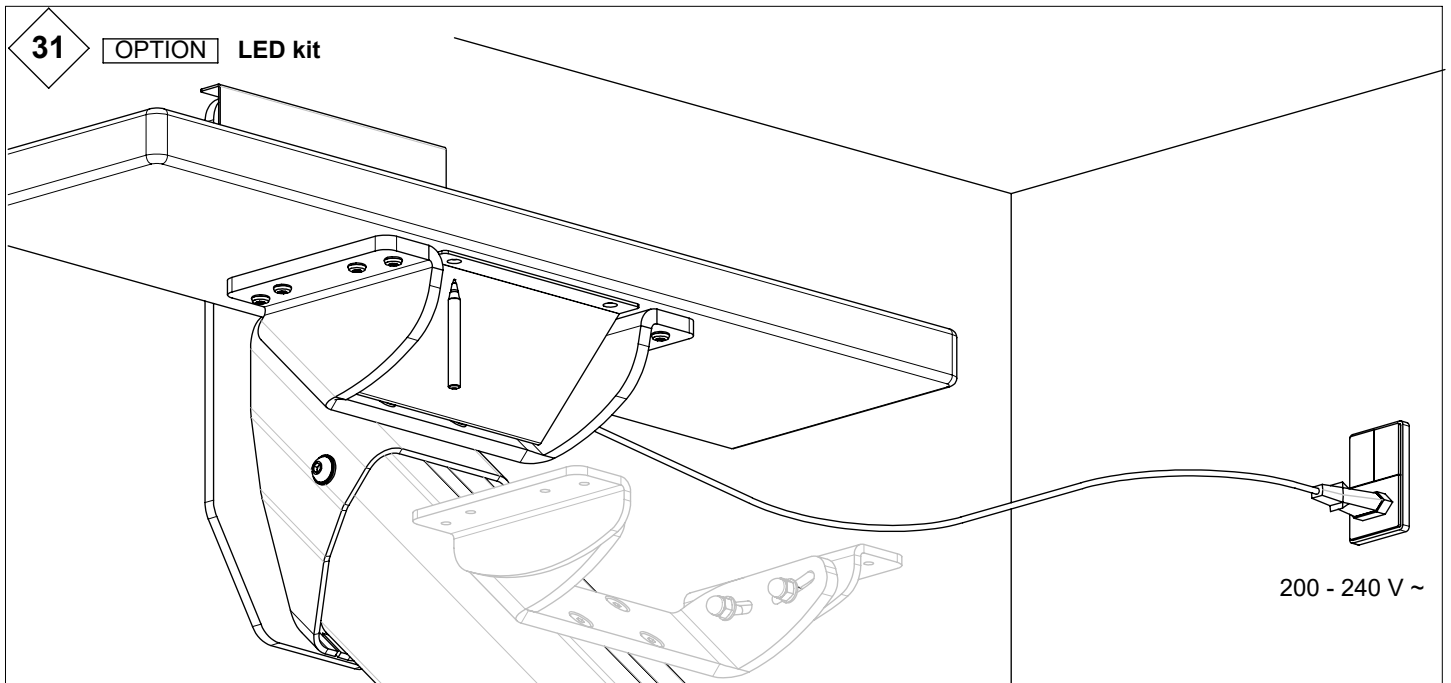
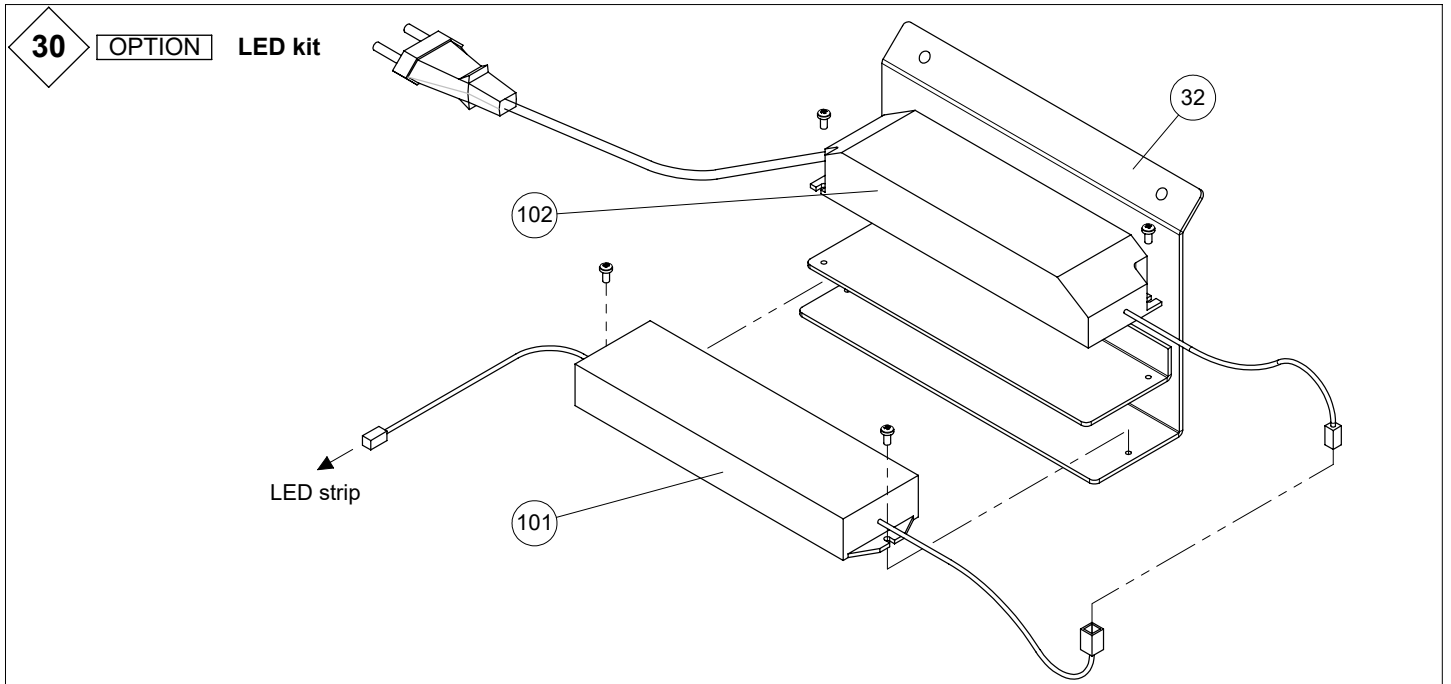
UK: DO NOT expose the device to moisture.
 DE: Setzen Sie das Gerät keiner Feuchtigkeit aus!
 FR: NE PAS exposer l'appareil à l'humidité
 NL: Stel de unit NIET aan vocht bloot
 PL: Nie narażać urządzenia na działanie wilgoci.
 DK: Udsæt IKKE enheden for fugt



UK: Photo
 DE: Foto
 FR: Photo
 NL: Foto
 PL: Zdjęcie
 DK: Billede

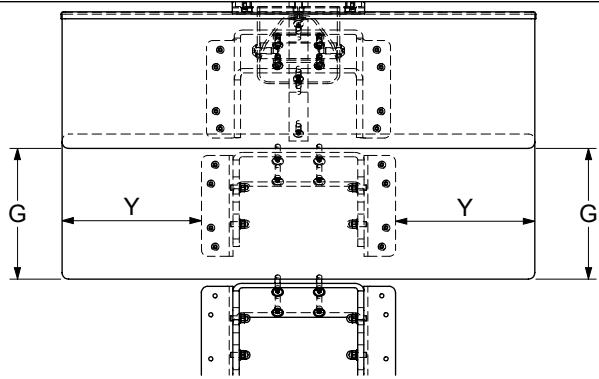
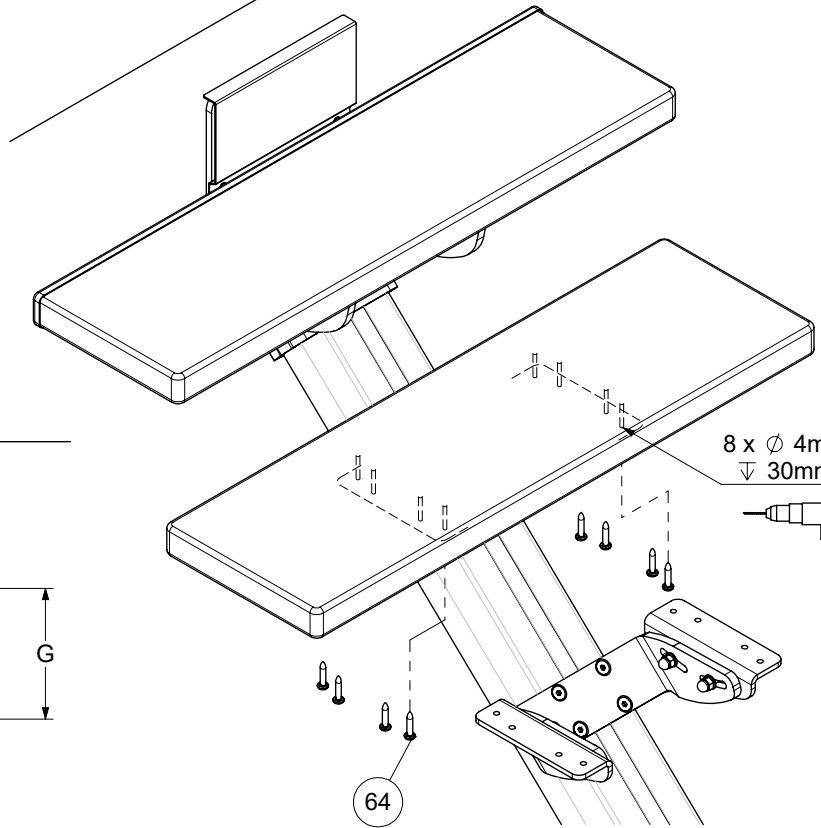
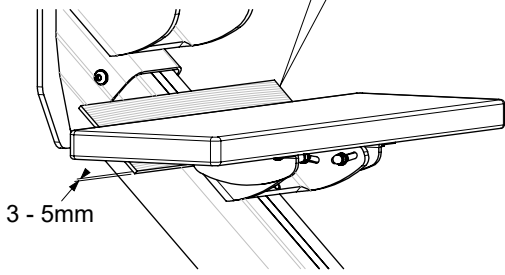


UK: Diagram
 DE: Abbildung
 FR: Schéma
 NL: Plan
 PL: Diagram
 DK: Diagram



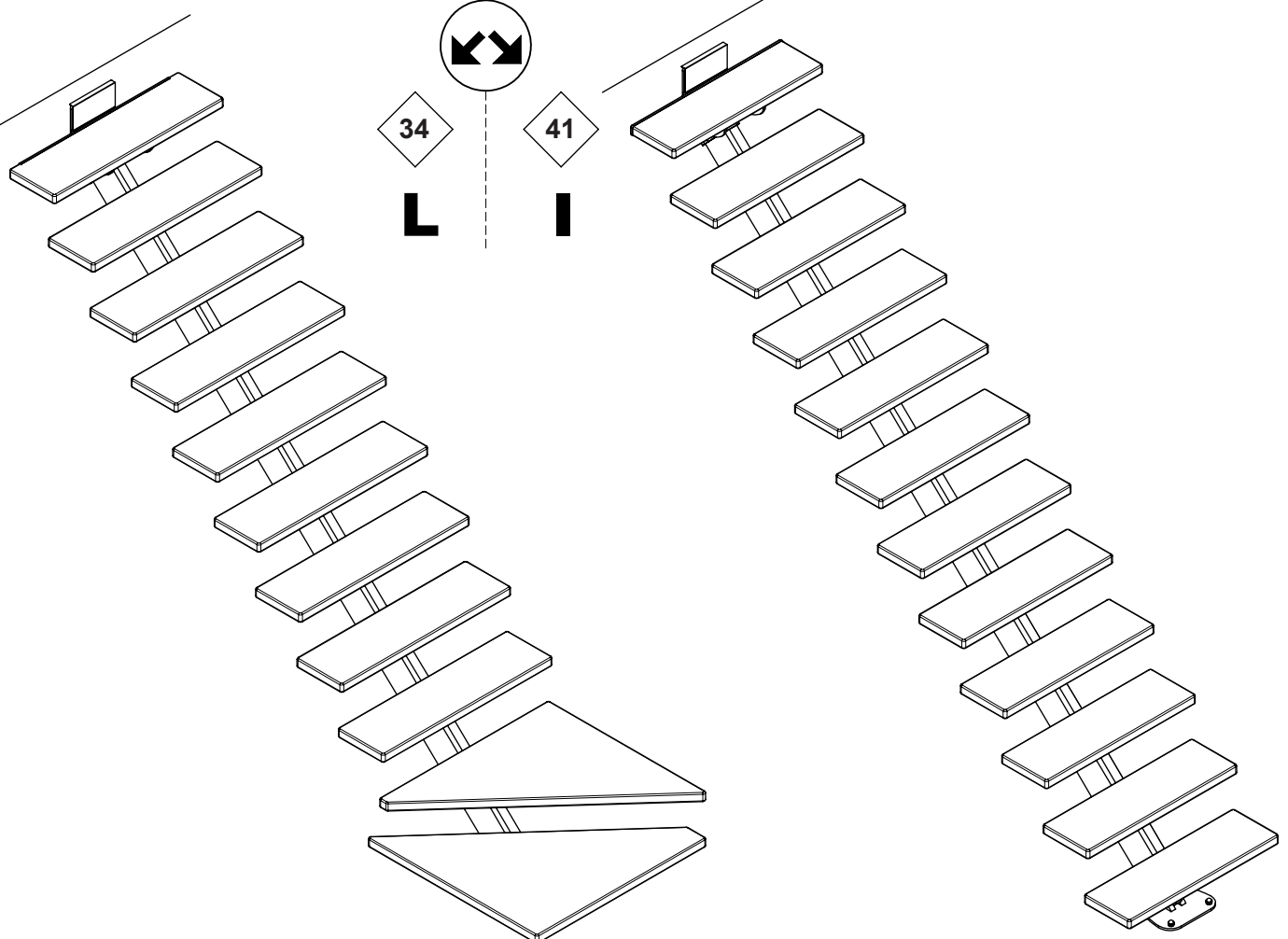
33

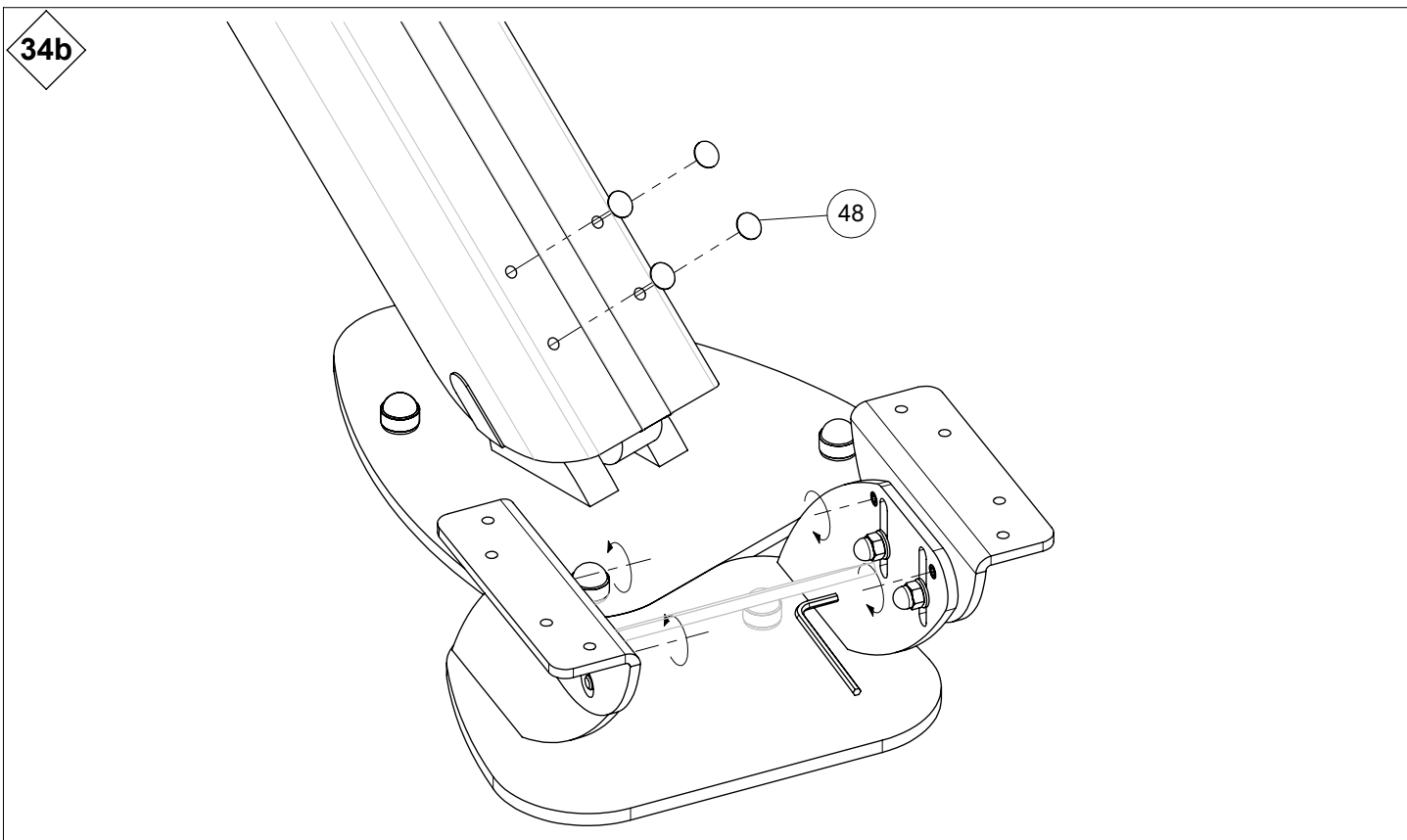
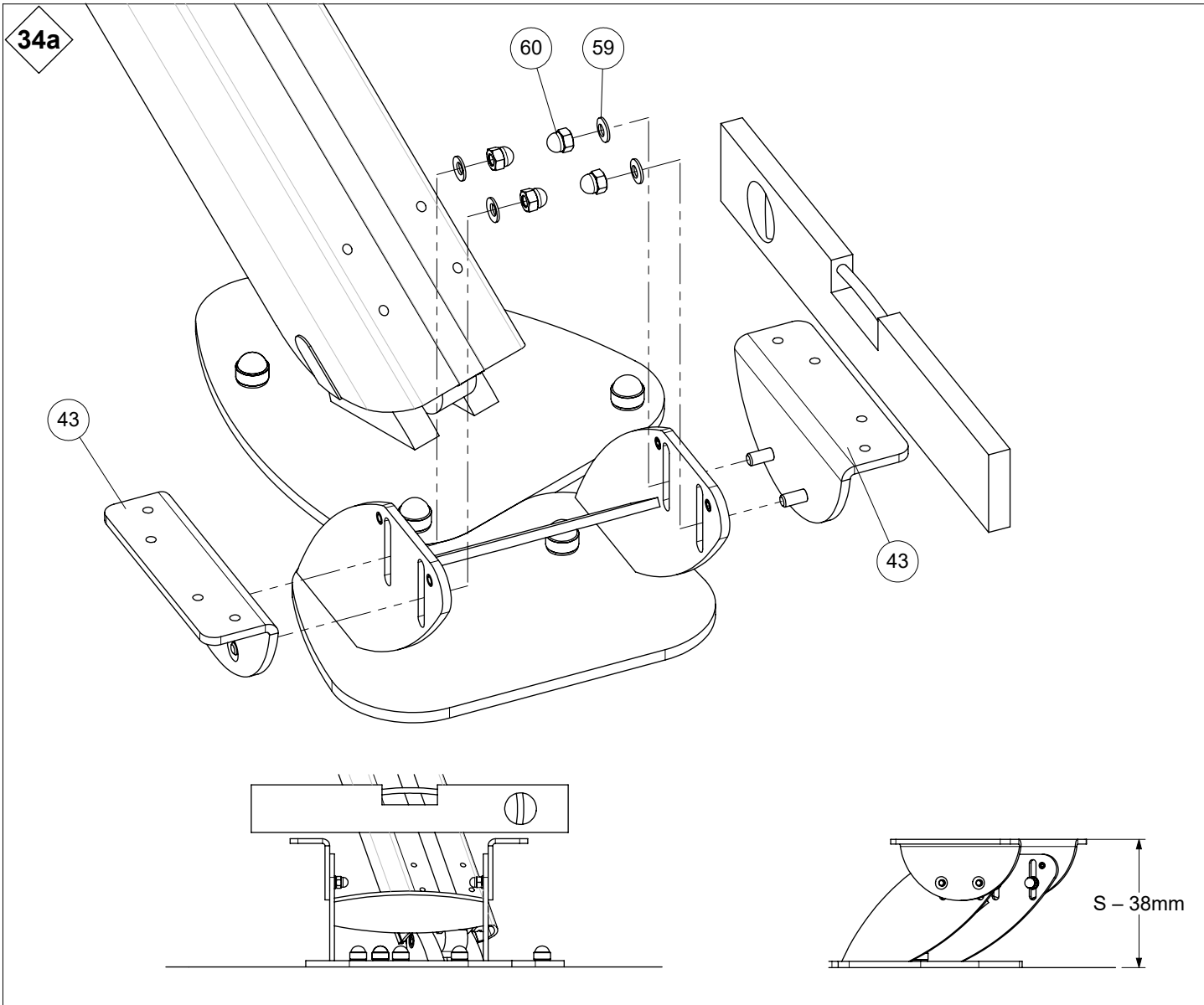
Tip!

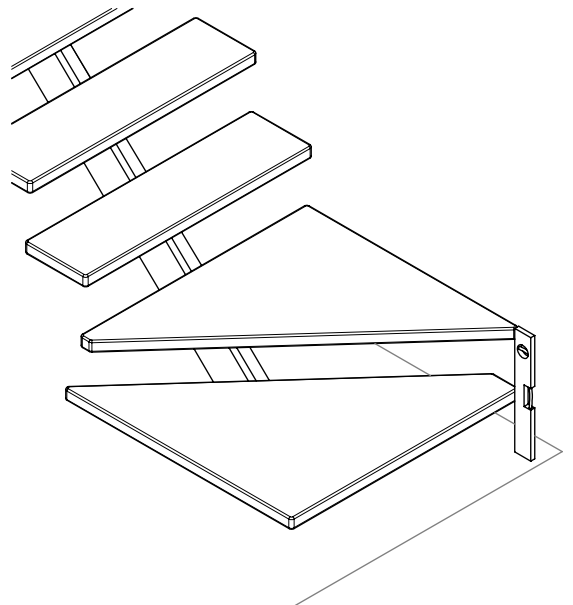
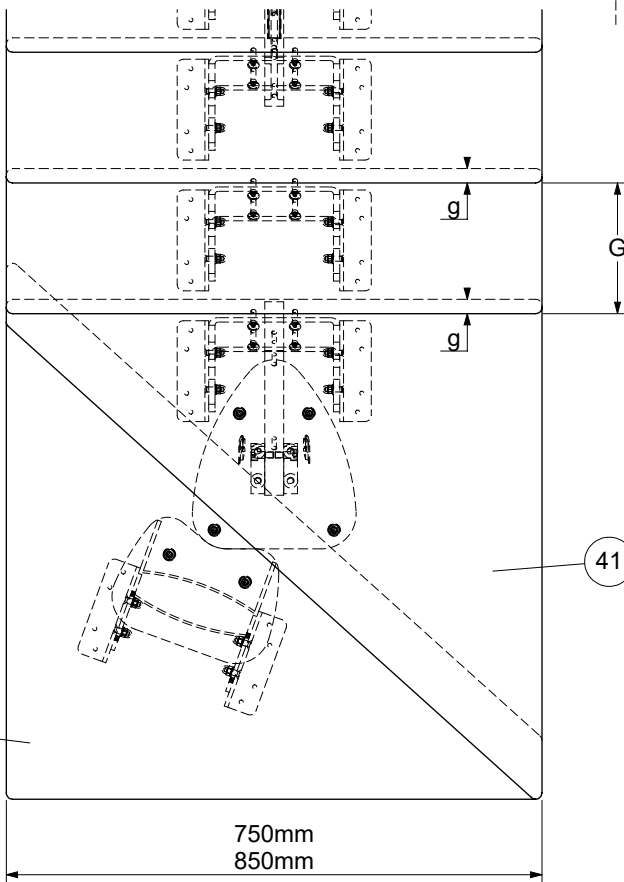
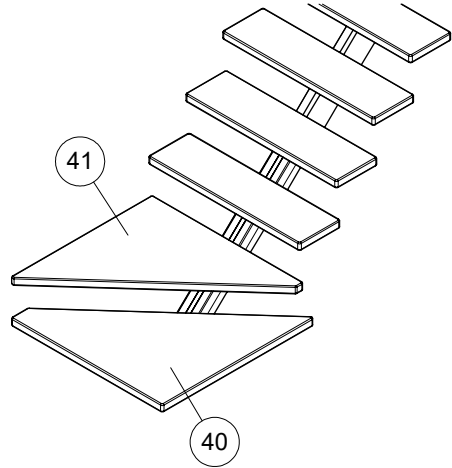
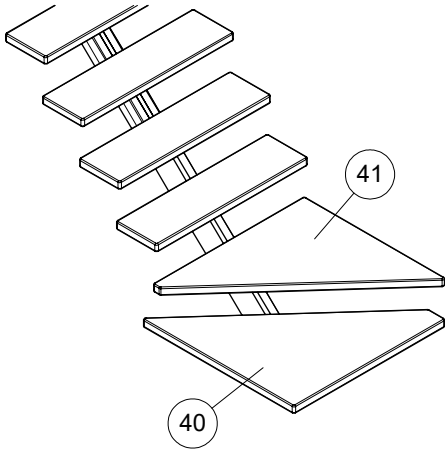
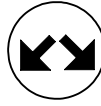


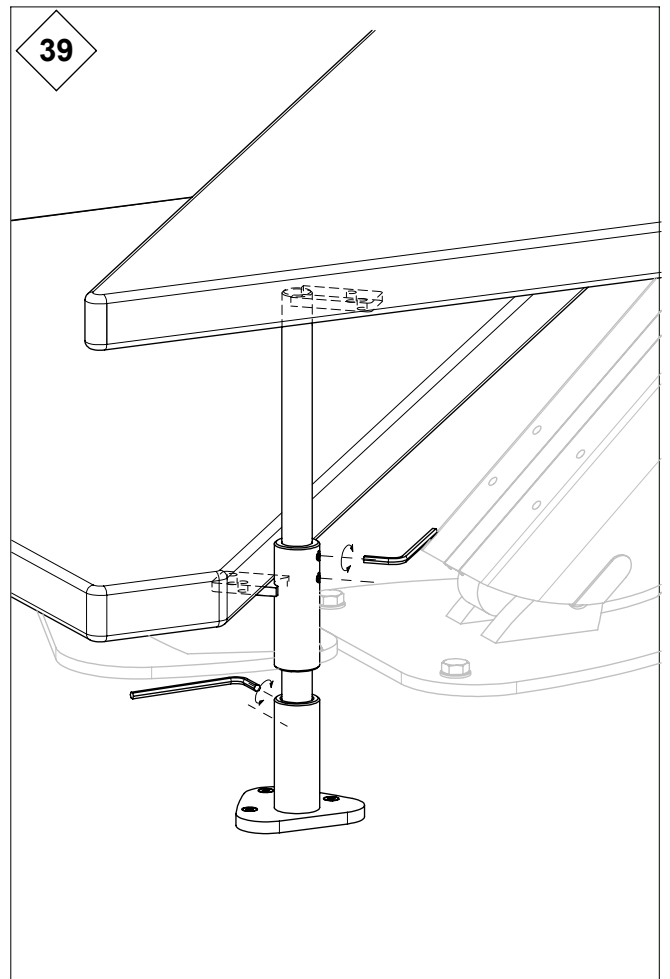
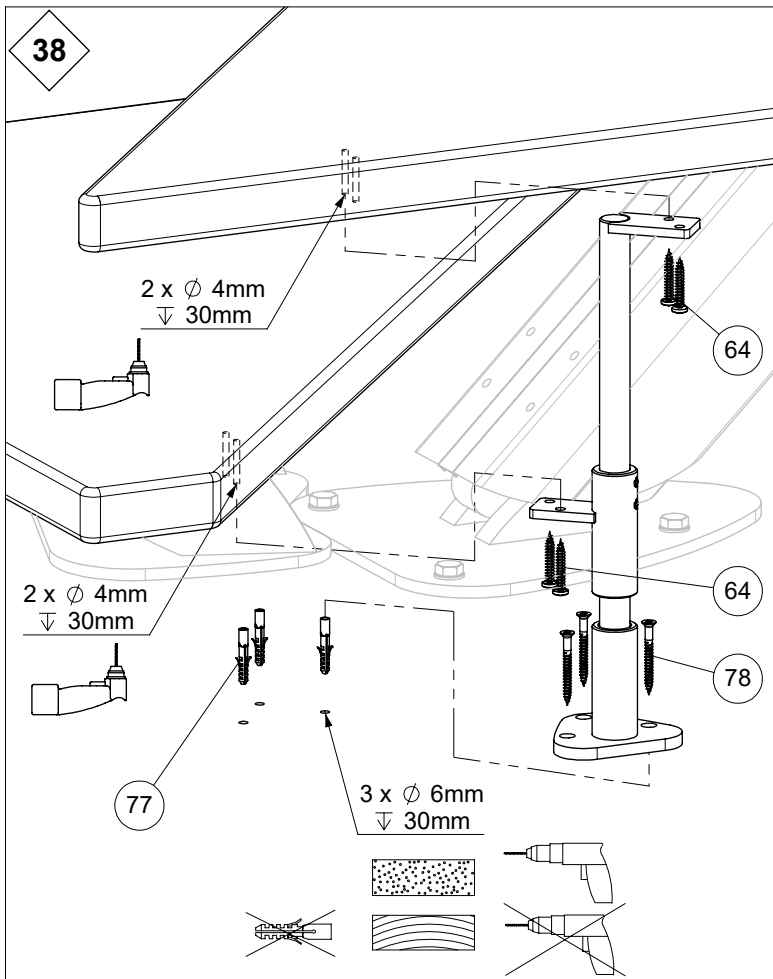
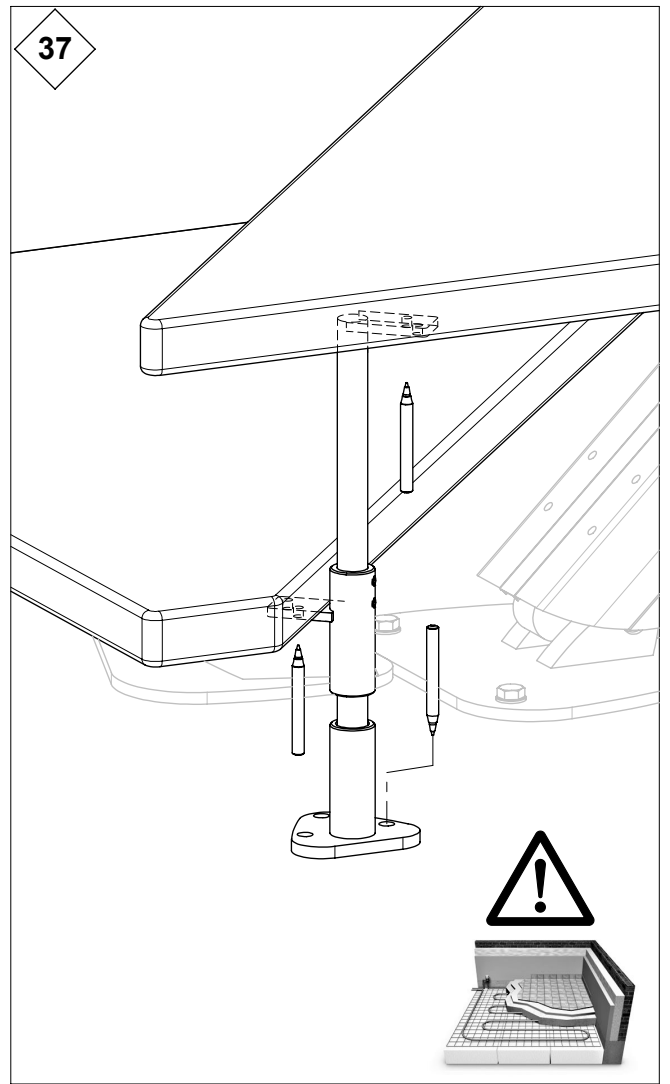
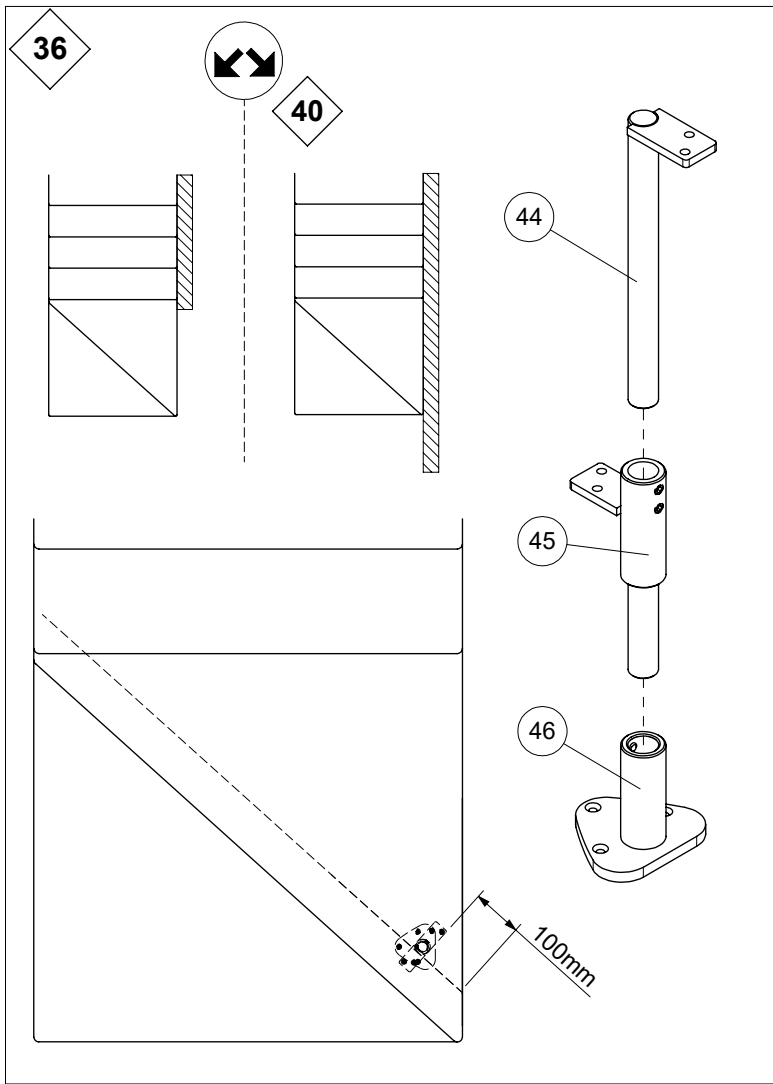
34

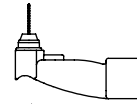
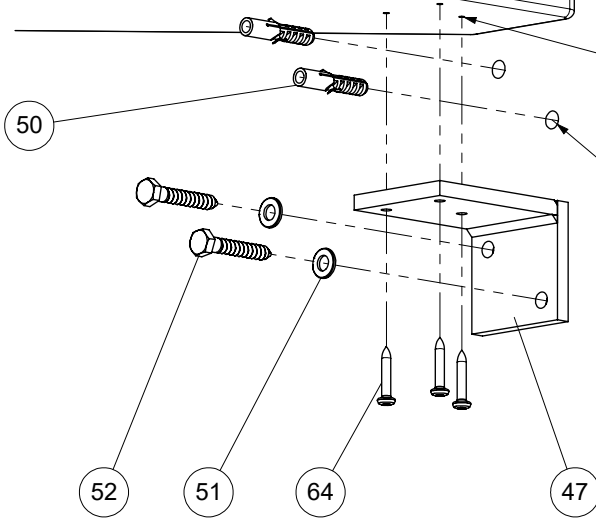
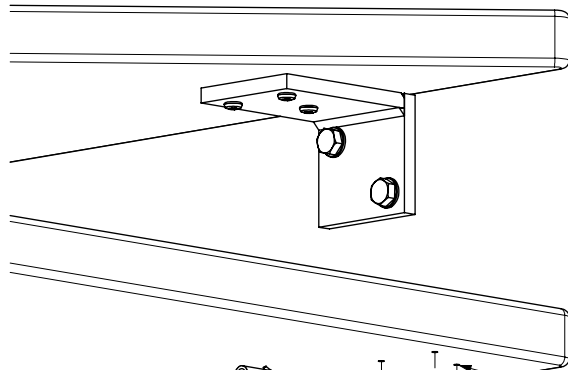
41



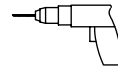




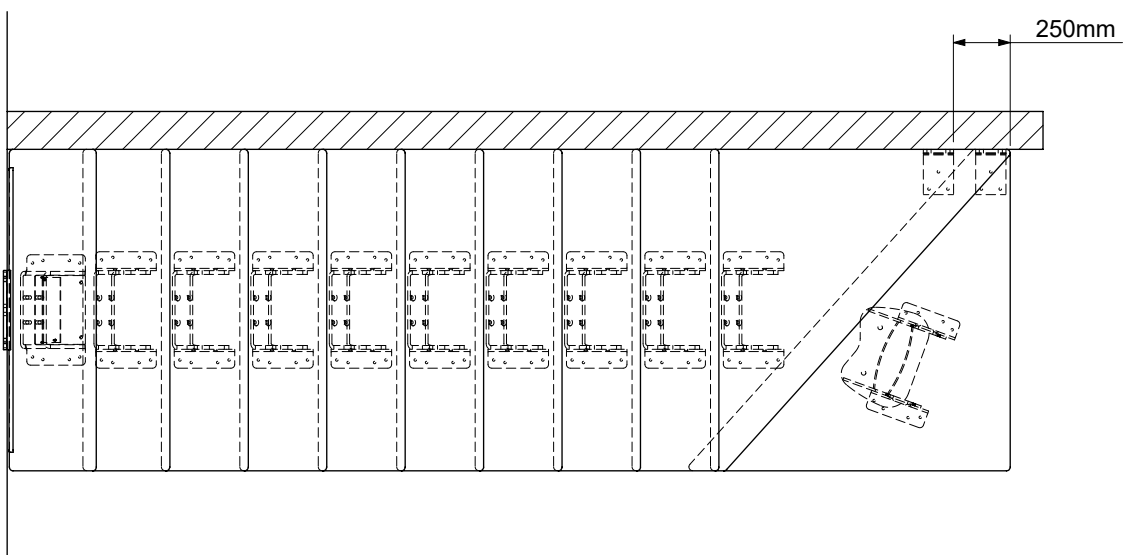
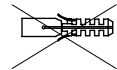
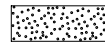




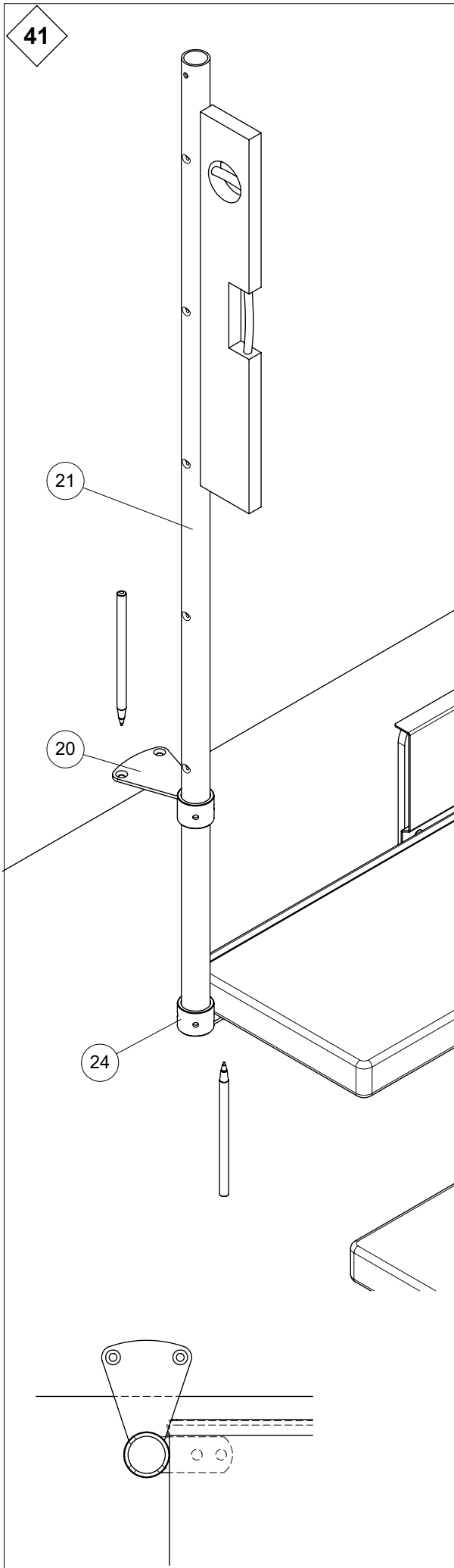
Ø 4mm
↓ 25mm



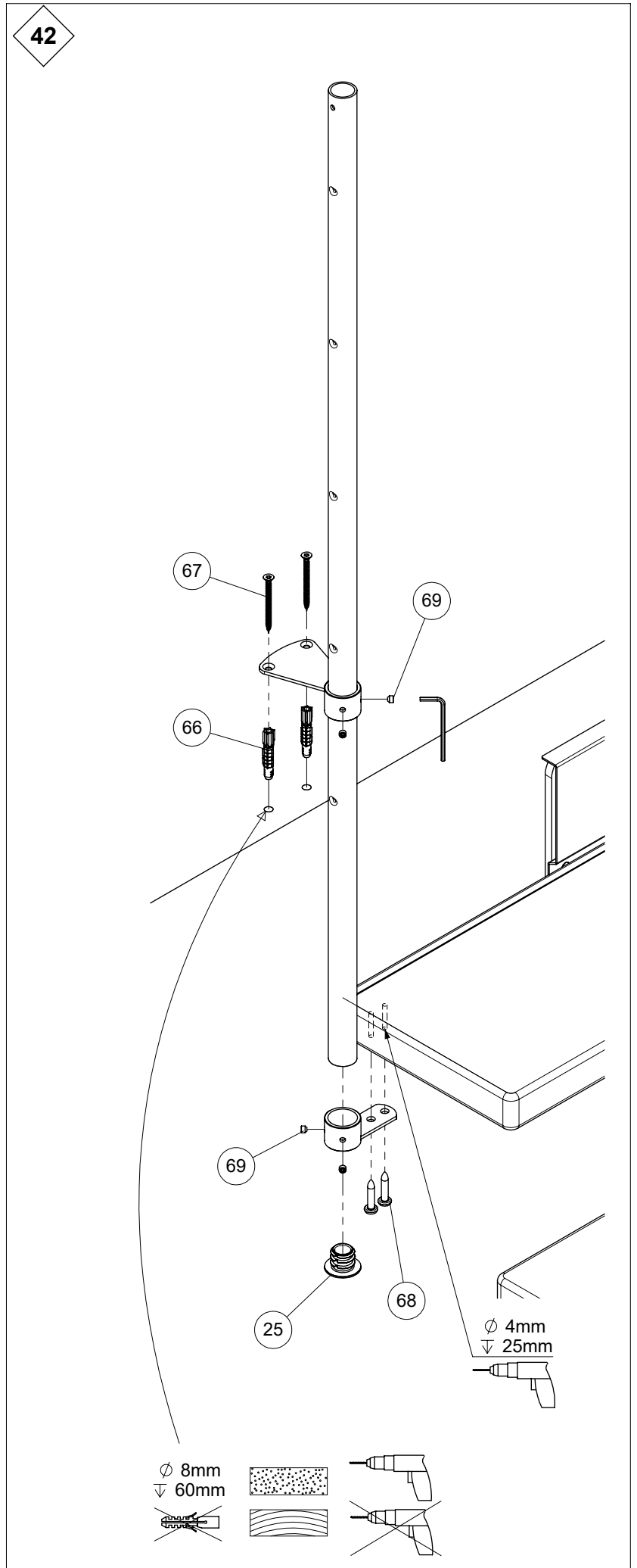
Ø 12mm
↓ 70mm
Ø 6mm
↓ 60mm

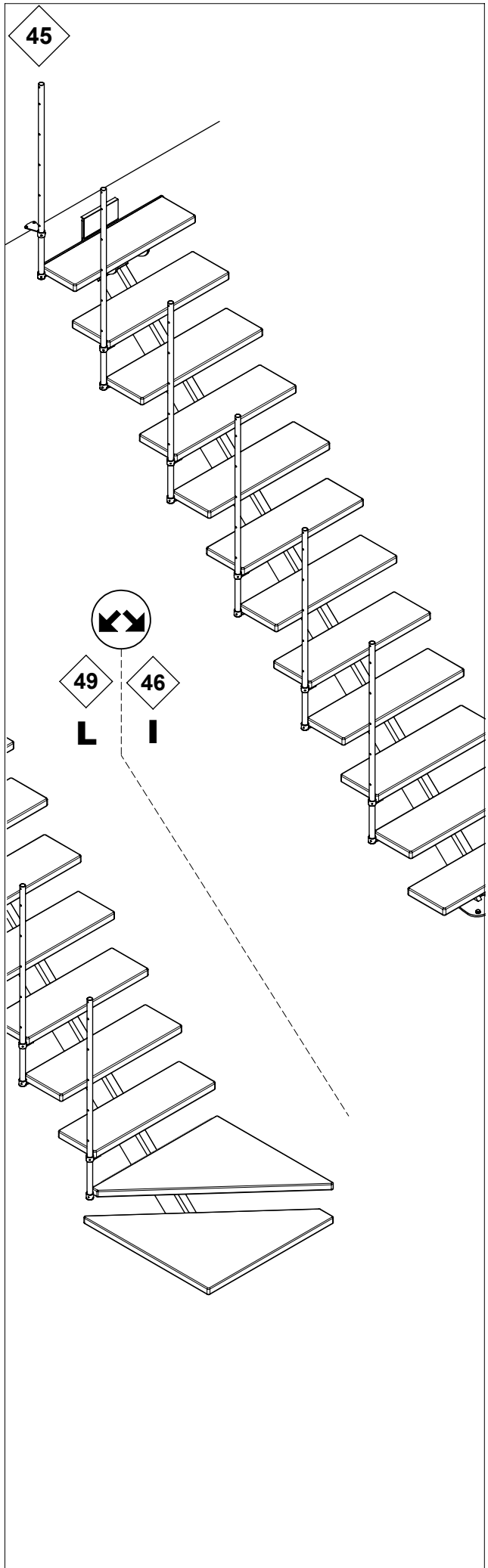
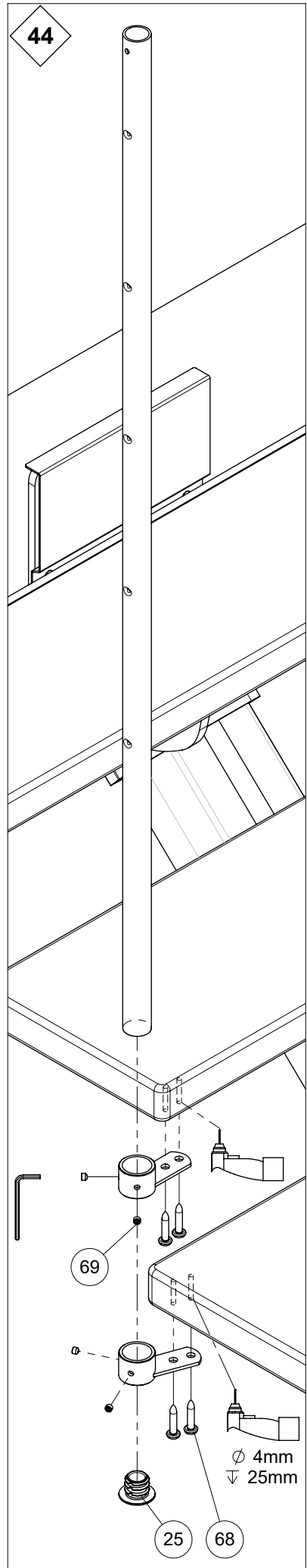
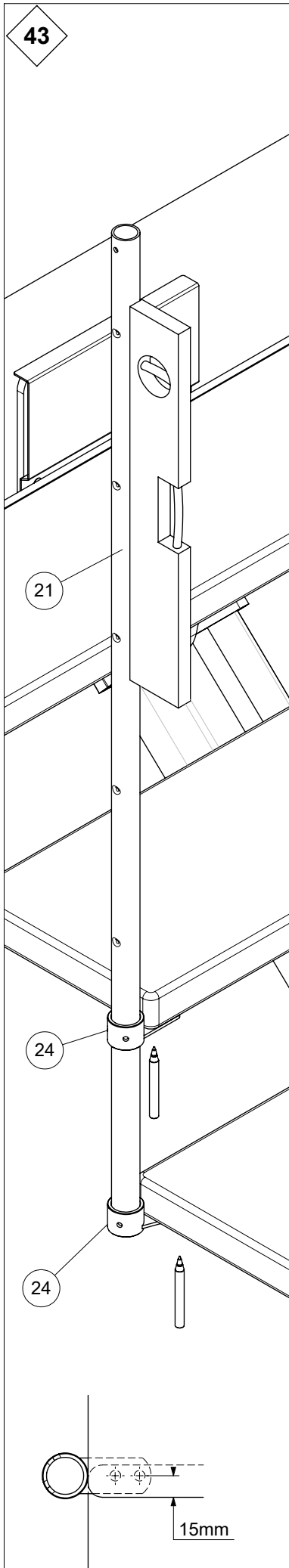


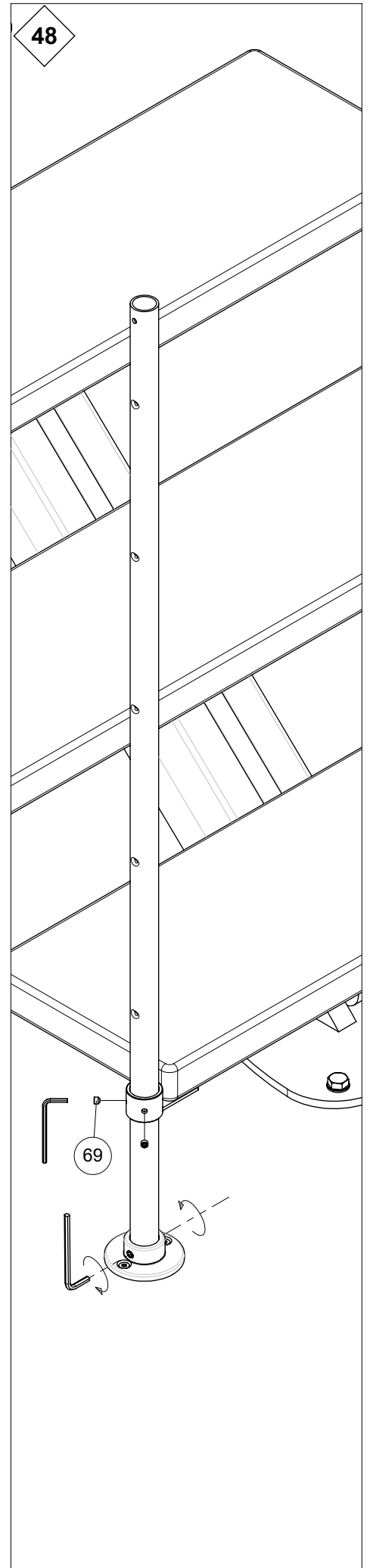
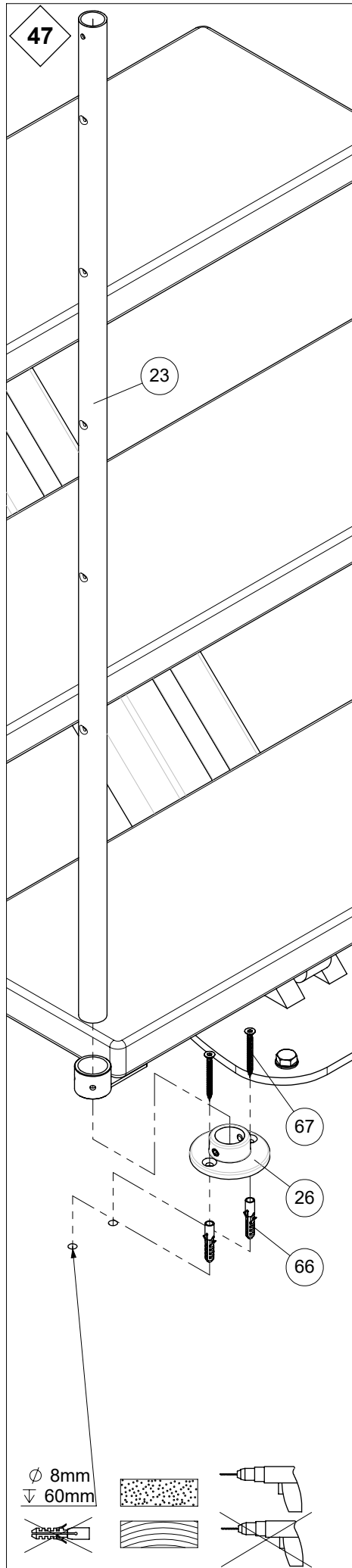
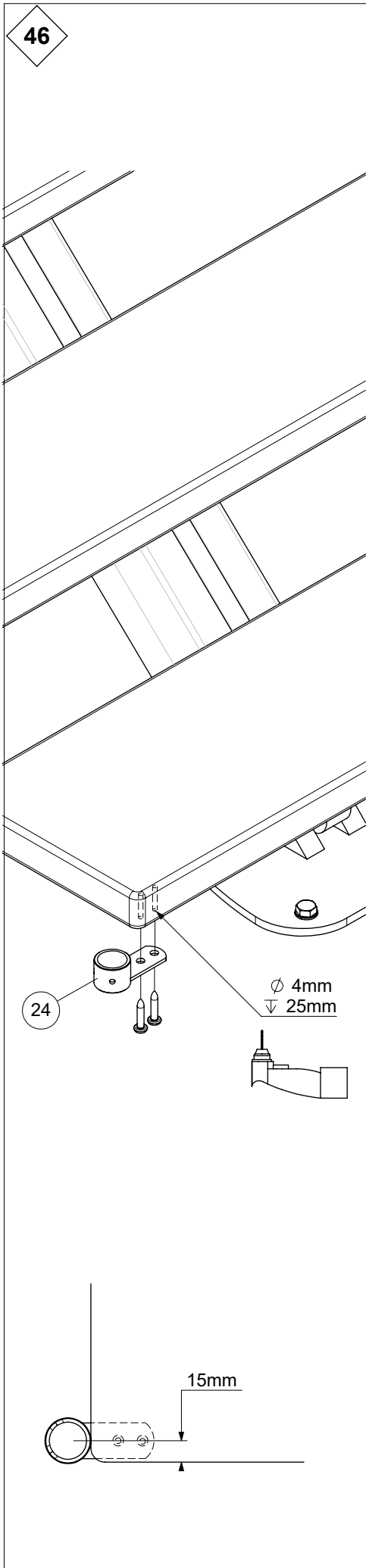
41



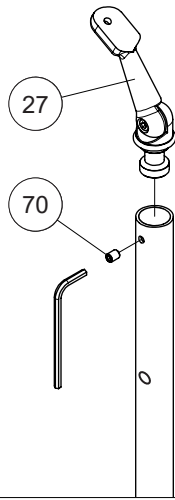
42







49



50

