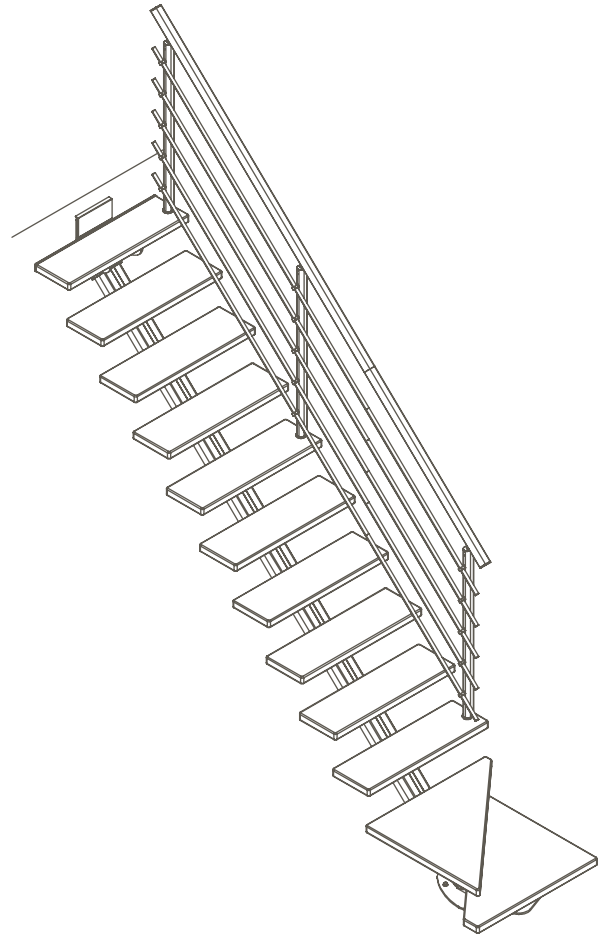
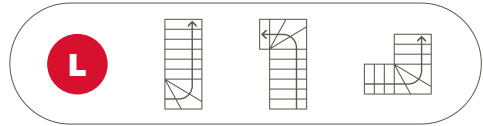
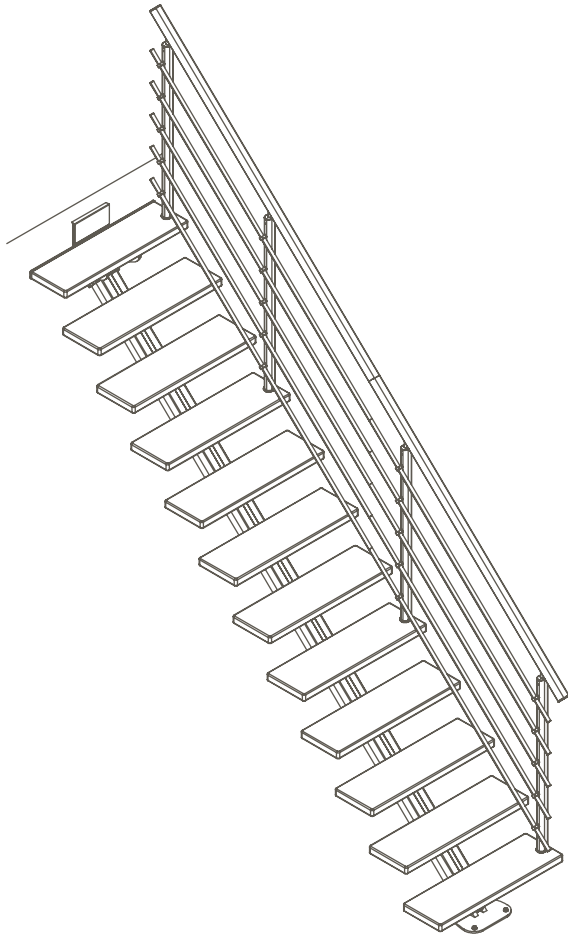
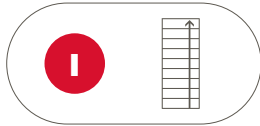



SYDNEY

DIMENSION



 Video: www.dolle.com/sydney

Classic & Style 6 banister

NO. OF TREADS	PAGE
11 treads	7
12 treads	9
13 treads	11

Design & Pure banister

NO. OF TREADS	PAGE
11 treads	8
12 treads	10
13 treads	12

STAIRCASE TERMINOLOGY

C1
E
G
H

	C1	E	G	H
	Staircase width w. 1 banister	Headroom	Going (of tread)	Height floor-to-floor
	Szerokość schodów z jedną balustradą	Wysokość nad schodami	Głębokość stopnia	Wysokość kondygnacji od podłogi do podłogi
	Šířka schodiště s 1 zábradlím	Výška nad schodištěm	Hloubka nášlapu	Výška patra podlaha-podlaha
	Ширина лестницы, одно перила	Минимальная высота потолка над лестницей	Глубина ступени	Высота от пола до пола
	Laiptų su viena balustrada plotis	Aukštis virš laiptų	Pakopos gylis	Aukšto aukštis
	Kāpņu ar margām vienā pusē platums	Augstums virs kāpnēm	Pakāpiena dziļums	Stāva augstums
	Ūhe kėsiupuuga trepi laius	Kõrgus trepi kohal	Astme sügavus	Korruse kõrgus
	Širina stopnic z eno ograjo	Višina nad stopnicami	Hodalna globina stopnice	Višina nadstropja
	Širina stepenica s jednom ogradom	Visina iznad stepenica	Dubina stuba	Visina kata
	Šírka schodov s jedným zábradlím	Výška nad schodmi	Hĺbka stupňa	Výška podlažia

M
N
O
P

	M	N	O	P
	Opening size length	Opening size width	Clear width	Pitch
	Długość otworu montażowego	Szerokość otworu montażowego	Szerokość schodów bez balustrady	Kąt nachylenia schodów
	Délka stavebního otvoru	Šířka stavebního otvoru	Čistá šířka bez zábradlí	Sklon schodiště
	Проём монтажа - длина	Проём монтажа - ширина	Ширина лестницы без перил	Угол наклона лестницы
	Montavimo angos ilgis	Montavimo angos plotis	Laiptų be balustrados plotis	Laiptų pasvirimo kampas
	Montāžas atveres garums	Montāžas atveres platums	Kāpņu bez margām platums	Kāpņu slīpuma leņķis
	Montaaziava pikkus	Montaaziava laius	Ilma kėsiupuuga trepi laius	Trepi kaldenurk
	Dolžina pritrdilne luknje	Širina montažne luknje	Širina stopnic brez ograje	Kot nagiba stopnic
	Duljina montažne rupe	Širina montažne rupe	Širina stepenica bez ograde	Kut nagiba stepenica
	Dĺžka montážneho otvoru	Šírka montážneho otvoru	Šírka schodov bez zábradlia	Uhol sklonu schodov

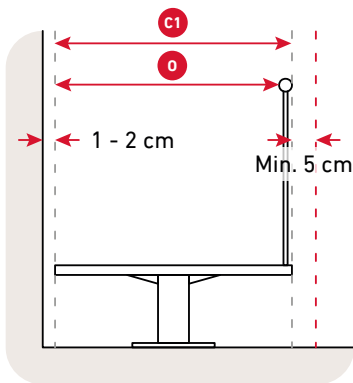
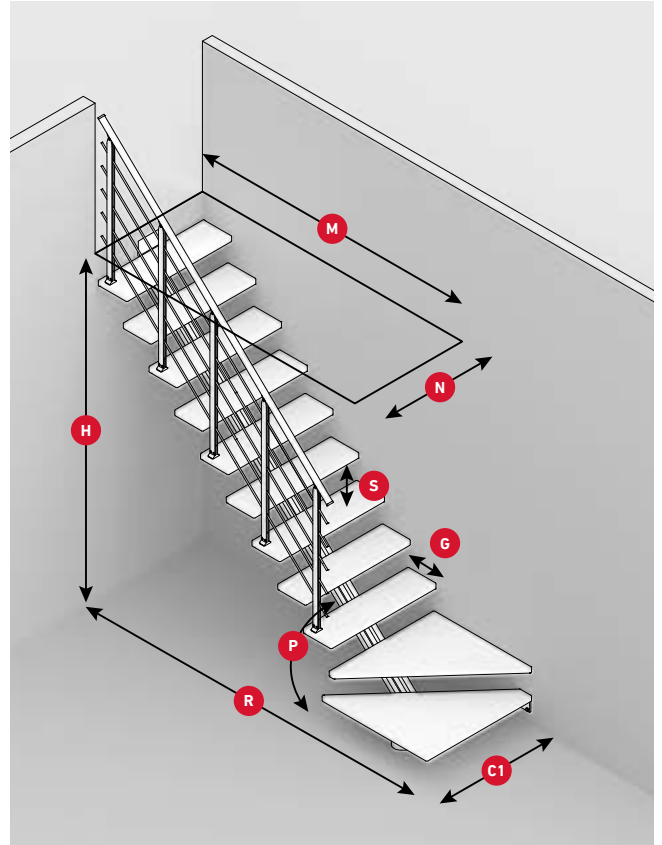
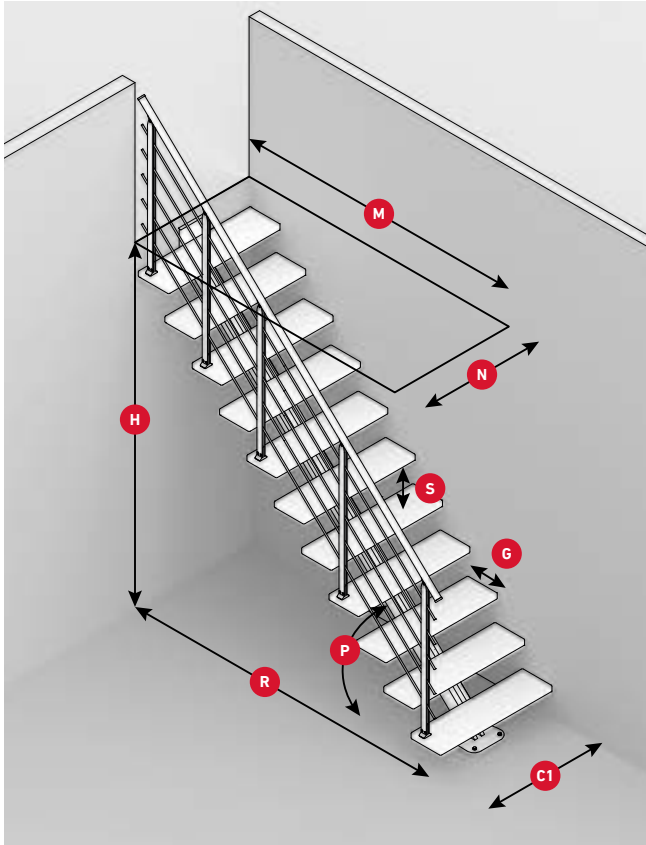
R
R1
S
T

	R	R1	S	T
	Total going length	Total going width	Rise height	Number of treads
	Zabieg schodów- długość	Zabieg schodów- szerokość	Wysokość stopnia	Ilość stopni
	Celková pochozí délka	Celková pochozí šířka	Výška schodu	Počet nášlapů
	Забěžная часть лестницы - длина	Забěžная часть лестницы - ширина	Шаг ступени	Кол-во ступеней
	Laiptų posūkis - ilgis	Laiptų posūkis - plotis	Pakopos aukštis	Pakopų kiekis
	Kāpņu pagrieziens — garums	Kāpņu pagrieziens - platums	Pakāpiena augstums	Pakāpienu skaits
	Trepimaršs- pikkus	Trepimaršs - laius	Astme kõrgus	Astmete arv
	Širina 1 prostora stopnišča	Širina 2 prostora stopnišča	Višina stopnice	Število stopnic
	Zavoj stepenica- duljina	Zavoj stepenica- širina	Visina stepenice	Broj stepenica
	Rameno – dĺžka	Rameno – šírka	Výška stupňa	Počet stupňov

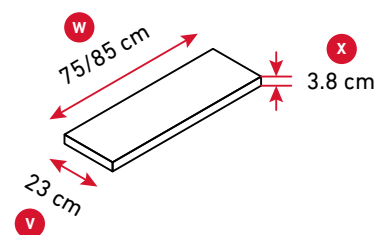
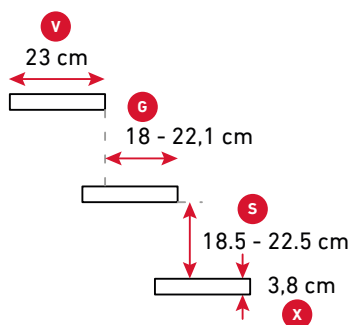
V
W
X
Z

	V	W	X	Z
	Tread depth	Tread width	Tread thickness	Deck thickness
	Głębokość stopnia	Szerokość stopnia	Grubość stopnia	Grubość stropu
	Hloubka nášlapu	Šířka nášlapu	Tloušťka nášlapu	Tloušťka stropu
	Глубина ступени	Ширина ступени	Толщина ступени	Толщина плиты
	Pakopos gylis	Pakopos plotis	Pakopos storumas	Lužų storumas
	Pakāpiena dziļums	Pakāpiena platums	Pakāpiena biezums	Griestu biezums
	Astme sügavus	Astme laius	Astme jamedus	Tala jamedus
	Globina stopnice	Širina stopnice	Debelina stopnice	Debelina stropa
	Dubina stuba	Širina stuba	Debljina stuba	Debljina stropa
	Hĺbka stupňa	Šírka stupňa	Hrúbka stupňa	Hrúbka stropu

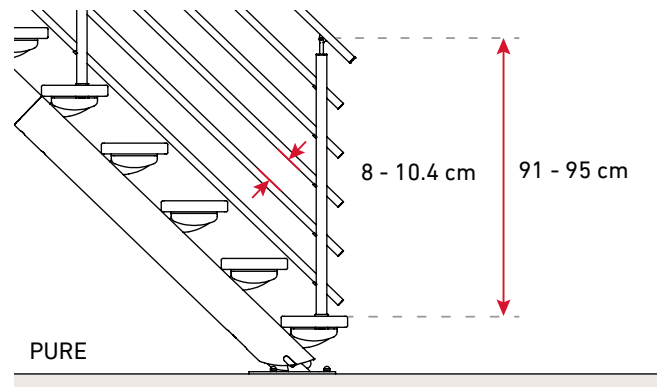
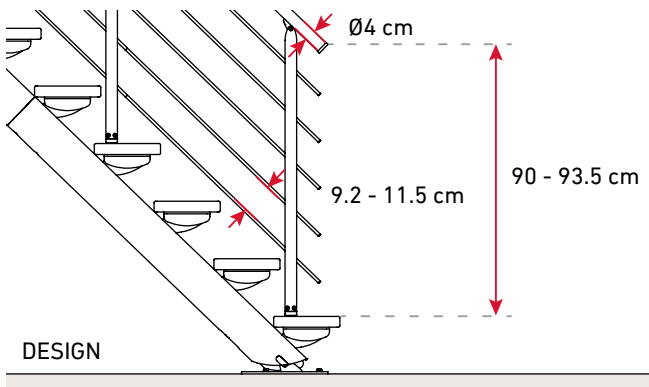
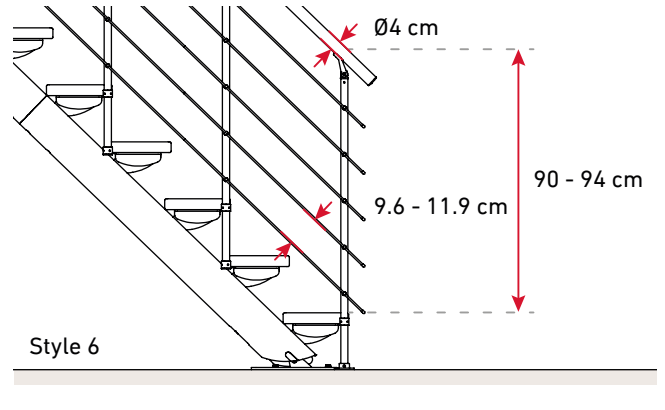
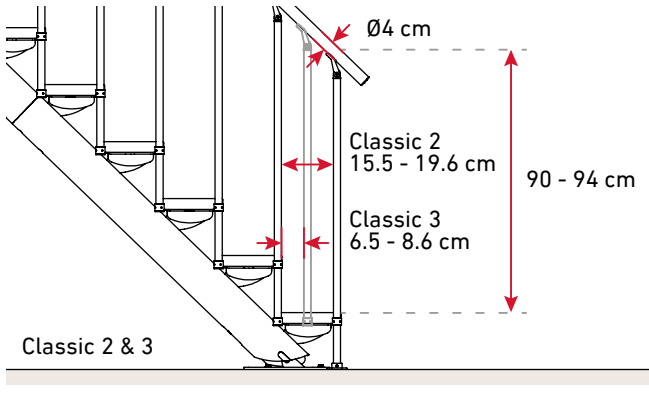
DIMENSIONS



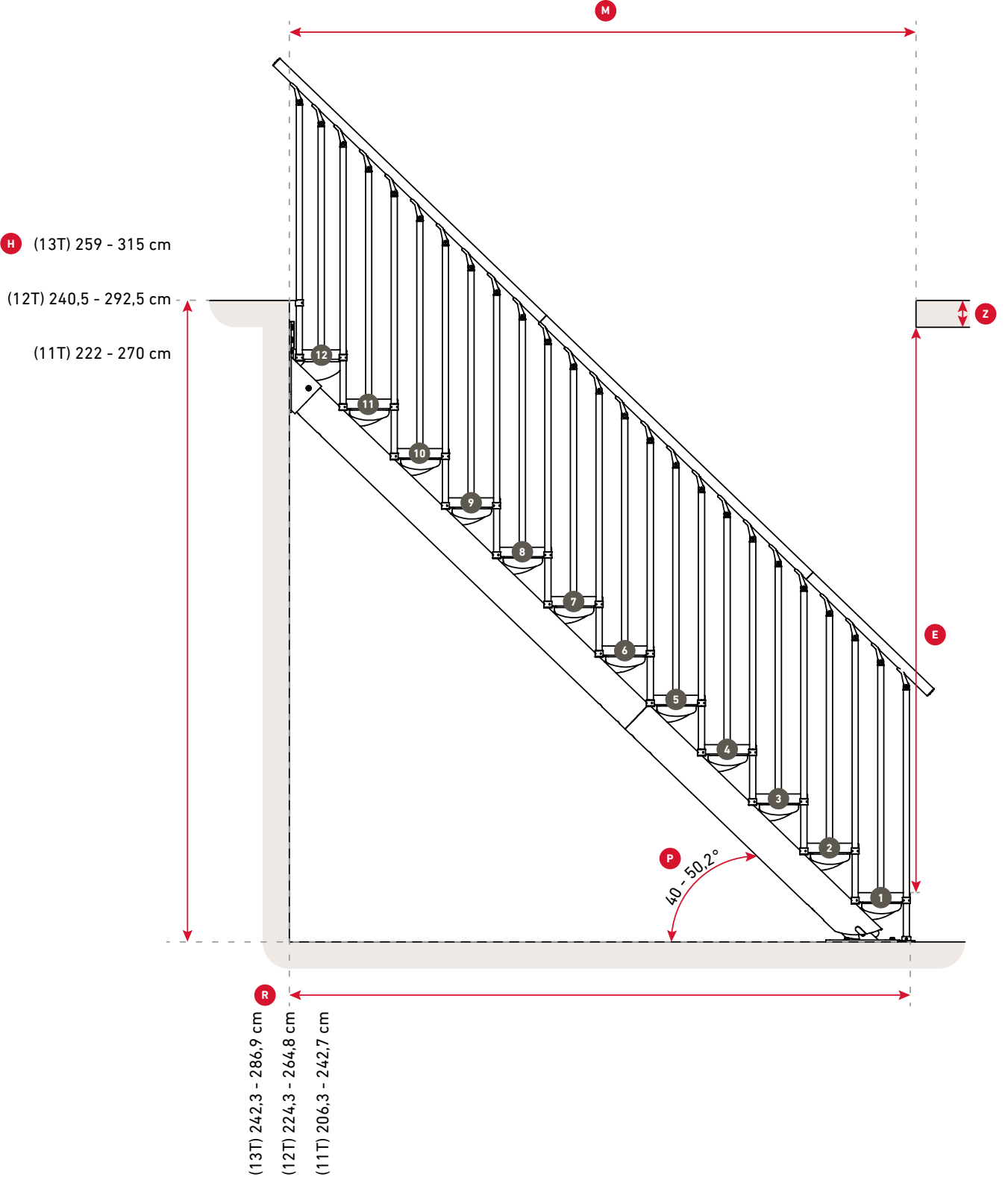
Banister	C1	O
Classic II & III	79 / 89 cm	75 / 85 cm
Style 6	79 / 89 cm	75 / 85 cm
DESIGN	75 / 85 cm	69 / 79 cm
PURE	75 / 85 cm	69 / 79 cm



DIMENSIONS

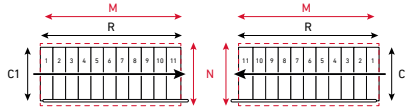
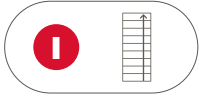


DIMENSIONS



SYDNEY 11 TREADS - WIDTH 75 & 85 CM

CLASSIC / STYLE 6 BANISTER



H

S

G

P

C1

R

N

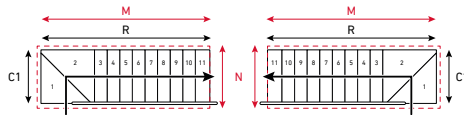
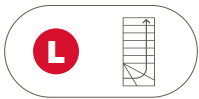
M

Height	Rise	Going	Pitch	Stair width *	Total going length	Opening width min. **	Opening length min. ***
222 cm	18.5 cm	22.1 cm	40.0°	79 / 89 cm	242.7 cm	86 / 96 cm	268.0 cm
225 cm	18.8 cm	21.9 cm	40.6°	79 / 89 cm	240.6 cm	86 / 96 cm	262.5 cm
230 cm	19.2 cm	21.5 cm	41.6°	79 / 89 cm	237.4 cm	86 / 96 cm	253.5 cm
235 cm	19.6 cm	21.1 cm	42.6°	79 / 89 cm	234.1 cm	86 / 96 cm	244.5 cm
240 cm	20.0 cm	20.8 cm	43.7°	79 / 89 cm	230.9 cm	86 / 96 cm	236.0 cm
245 cm	20.4 cm	20.4 cm	44.7°	79 / 89 cm	227.4 cm	86 / 96 cm	227.5 cm
250 cm	20.8 cm	19.9 cm	45.8°	79 / 89 cm	223.6 cm	86 / 96 cm	219.0 cm
255 cm	21.3 cm	19.4 cm	46.9°	79 / 89 cm	218.9 cm	86 / 96 cm	211.0 cm
260 cm	21.7 cm	18.9 cm	48.0°	79 / 89 cm	214.8 cm	86 / 96 cm	203.0 cm
265 cm	22.1 cm	18.5 cm	48.8°	79 / 89 cm	210.7 cm	86 / 96 cm	195.0 cm
270 cm	22.5 cm	18.0 cm	50.2°	79 / 89 cm	206.3 cm	86 / 96 cm	187.5 cm

* Staircase width incl. Classic / Style 6 banister on 1 side

** Floor opening size is defined based on 2 cm space to wall, 5 cm space for hand

*** 25 cm deck thickness, 200 cm headspace



H

S

G

P

C1

R

N

M

Height	Rise	Going	Pitch	Stair width *	Total going length	Opening width min. **	Opening length min. ***
222 cm	18.5 cm	22.1 cm	40.0°	79 / 89 cm	267.9 / 276.9 cm	86 / 96 cm	269.9 / 278.9 cm
225 cm	18.8 cm	21.9 cm	40.6°	79 / 89 cm	265.9 / 274.9 cm	86 / 96 cm	267.9 / 276.9 cm
230 cm	19.2 cm	21.5 cm	41.6°	79 / 89 cm	263.2 / 272.2 cm	86 / 96 cm	265.2 / 274.2 cm
235 cm	19.6 cm	21.1 cm	42.6°	79 / 89 cm	260.3 / 269.3 cm	86 / 96 cm	262.3 / 271.3 cm
240 cm	20.0 cm	20.8 cm	43.7°	79 / 89 cm	257.4 / 266.4 cm	86 / 96 cm	259.4 / 268.4 cm
245 cm	20.4 cm	20.4 cm	44.7°	79 / 89 cm	254.3 / 263.3 cm	86 / 96 cm	256.3 / 265.3 cm
250 cm	20.8 cm	19.9 cm	45.8°	79 / 89 cm	251.0 / 260.0 cm	86 / 96 cm	253.0 / 262.0 cm
255 cm	21.3 cm	19.4 cm	46.9°	79 / 89 cm	246.8 / 255.8 cm	86 / 96 cm	248.8 / 257.8 cm
260 cm	21.7 cm	18.9 cm	48.0°	79 / 89 cm	243.2 / 252.2 cm	86 / 96 cm	245.2 / 254.2 cm
265 cm	22.1 cm	18.5 cm	48.8°	79 / 89 cm	239.5 / 248.5 cm	86 / 96 cm	241.5 / 250.5 cm
270 cm	22.5 cm	18.0 cm	50.2°	79 / 89 cm	235.6 / 244.6 cm	86 / 96 cm	187.5 cm

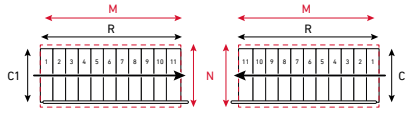
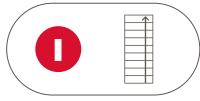
* Staircase width incl. Classic / Style 6 banister on 1 side

** Floor opening size is defined based on 2 cm space to wall, 5 cm space for hand

*** 25 cm deck thickness, 200 cm headspace

SYDNEY 11 TREADS - WIDTH 75 & 85 CM

DESIGN / PURE BANISTER



H

S

G

P

C1

R

N

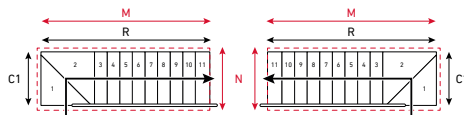
M

Height	Rise	Going	Pitch	Stair width *	Total going length	Opening width min. **	Opening length min. ***
222 cm	18.5 cm	22.1 cm	40.0°	75 / 85 cm	242.7 cm	82 / 92 cm	268.0 cm
225 cm	18.8 cm	21.9 cm	40.6°	75 / 85 cm	240.6 cm	82 / 92 cm	262.5 cm
230 cm	19.2 cm	21.5 cm	41.6°	75 / 85 cm	237.4 cm	82 / 92 cm	253.5 cm
235 cm	19.6 cm	21.1 cm	42.6°	75 / 85 cm	234.1 cm	82 / 92 cm	244.5 cm
240 cm	20.0 cm	20.8 cm	43.7°	75 / 85 cm	230.9 cm	82 / 92 cm	236.0 cm
245 cm	20.4 cm	20.4 cm	44.7°	75 / 85 cm	227.4 cm	82 / 92 cm	227.5 cm
250 cm	20.8 cm	19.9 cm	45.8°	75 / 85 cm	223.6 cm	82 / 92 cm	219.0 cm
255 cm	21.3 cm	19.4 cm	46.9°	75 / 85 cm	218.9 cm	82 / 92 cm	211.0 cm
260 cm	21.7 cm	18.9 cm	48.0°	75 / 85 cm	214.8 cm	82 / 92 cm	203.0 cm
265 cm	22.1 cm	18.5 cm	48.8°	75 / 85 cm	210.7 cm	82 / 92 cm	195.0 cm
270 cm	22.5 cm	18.0 cm	50.2°	75 / 85 cm	206.3 cm	82 / 92 cm	187.5 cm

* Staircase width incl. Design / Pure banister on 1 side

** Floor opening size is defined based on 2 cm space to wall, 5 cm space for hand

*** 25 cm deck thickness, 200 cm headspace



H

S

G

P

C1

R

N

M

Height	Rise	Going	Pitch	Stair width *	Total going length	Opening width min. **	Opening length min. ***
222 cm	18.5 cm	22.1 cm	40.0°	75 / 85 cm	267.9 / 276.9 cm	82 / 92 cm	269.9 / 278.9 cm
225 cm	18.8 cm	21.9 cm	40.6°	75 / 85 cm	265.9 / 274.9 cm	82 / 92 cm	267.9 / 276.9 cm
230 cm	19.2 cm	21.5 cm	41.6°	75 / 85 cm	263.2 / 272.2 cm	82 / 92 cm	265.2 / 274.2 cm
235 cm	19.6 cm	21.1 cm	42.6°	75 / 85 cm	260.3 / 269.3 cm	82 / 92 cm	262.3 / 271.3 cm
240 cm	20.0 cm	20.8 cm	43.7°	75 / 85 cm	257.4 / 266.4 cm	82 / 92 cm	259.4 / 268.4 cm
245 cm	20.4 cm	20.4 cm	44.7°	75 / 85 cm	254.3 / 263.3 cm	82 / 92 cm	256.3 / 265.3 cm
250 cm	20.8 cm	19.9 cm	45.8°	75 / 85 cm	251.0 / 260.0 cm	82 / 92 cm	253.0 / 262.0 cm
255 cm	21.3 cm	19.4 cm	46.9°	75 / 85 cm	246.8 / 255.8 cm	82 / 92 cm	248.8 / 257.8 cm
260 cm	21.7 cm	18.9 cm	48.0°	75 / 85 cm	243.2 / 252.2 cm	82 / 92 cm	245.2 / 254.2 cm
265 cm	22.1 cm	18.5 cm	48.8°	75 / 85 cm	239.5 / 248.5 cm	82 / 92 cm	241.5 / 250.5 cm
270 cm	22.5 cm	18.0 cm	50.2°	75 / 85 cm	235.6 / 244.6 cm	82 / 92 cm	187.5 cm

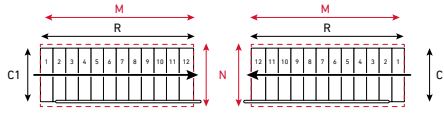
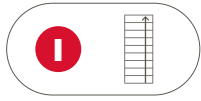
* Staircase width incl. Design / Pure banister on 1 side

** Floor opening size is defined based on 2 cm space to wall, 5 cm space for hand

*** 25 cm deck thickness, 200 cm headspace

SYDNEY 12 TREADS - WIDTH 75 & 85 CM

CLASSIC / STYLE 6 BANISTER



H

S

G

P

C1

R

N

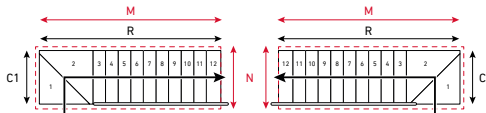
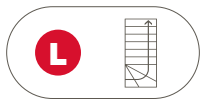
M

Height	Rise	Going	Pitch	Stair width *	Total going length	Opening width min. **	Opening length min. ***
240.5 cm	18.5 cm	22.1 cm	40.0°	79 / 89 cm	264.8 cm	86 / 96 cm	268.0 cm
245.0 cm	18.8 cm	21.9 cm	40.9°	79 / 89 cm	262.5 cm	86 / 96 cm	260.5 cm
250.0 cm	19.2 cm	21.5 cm	41.8°	79 / 89 cm	258.9 cm	86 / 96 cm	252.0 cm
255.0 cm	19.6 cm	21.1 cm	42.7°	79 / 89 cm	255.2 cm	86 / 96 cm	244.0 cm
260.0 cm	20.0 cm	20.8 cm	43.7°	79 / 89 cm	251.7 cm	86 / 96 cm	236.0 cm
265.0 cm	20.4 cm	20.4 cm	44.6°	79 / 89 cm	247.8 cm	86 / 96 cm	227.5 cm
270.0 cm	20.8 cm	19.9 cm	45.8°	79 / 89 cm	243.5 cm	86 / 96 cm	219.0 cm
275.0 cm	21.2 cm	19.5 cm	46.6°	79 / 89 cm	239.3 cm	86 / 96 cm	213.0 cm
280.0 cm	21.5 cm	19.1 cm	47.6°	79 / 89 cm	235.8 cm	86 / 96 cm	205.5 cm
285.0 cm	21.9 cm	18.7 cm	48.7°	79 / 89 cm	231.5 cm	86 / 96 cm	198.5 cm
290.0 cm	22.3 cm	18.3 cm	49.7°	79 / 89 cm	226.9 cm	86 / 96 cm	191.0 cm
292.5 cm	22.5 cm	18.0 cm	50.2°	79 / 89 cm	224.3 cm	86 / 96 cm	187.5 cm

* Staircase width incl. Classic / Style 6 banister on 1 side

** Floor opening size is defined based on 2 cm space to wall, 5 cm space for hand

*** 25 cm deck thickness, 200 cm headspace



H

S

G

P

C1

R

N

M

Height	Rise	Going	Pitch	Stair width *	Total going length	Opening width min. **	Opening length min. ***
240.5 cm	18.5 cm	22.1 cm	40.0°	79 / 89 cm	290.0 / 299.0 cm	86 / 96 cm	292.0 / 301.0 cm
245.0 cm	18.8 cm	21.9 cm	40.9°	79 / 89 cm	287.8 / 296.8 cm	86 / 96 cm	289.8 / 298.8 cm
250.0 cm	19.2 cm	21.5 cm	41.8°	79 / 89 cm	284.7 / 293.7 cm	86 / 96 cm	286.7 / 295.7 cm
255.0 cm	19.6 cm	21.1 cm	42.7°	79 / 89 cm	281.4 / 290.4 cm	86 / 96 cm	283.4 / 292.4 cm
260.0 cm	20.0 cm	20.8 cm	43.7°	79 / 89 cm	278.2 / 287.2 cm	86 / 96 cm	280.2 / 289.2 cm
265.0 cm	20.4 cm	20.4 cm	44.6°	79 / 89 cm	274.7 / 283.7 cm	86 / 96 cm	227.5 cm
270.0 cm	20.8 cm	19.9 cm	45.8°	79 / 89 cm	270.9 / 279.9 cm	86 / 96 cm	219.0 cm
275.0 cm	21.2 cm	19.5 cm	46.6°	79 / 89 cm	267.2 / 276.2 cm	86 / 96 cm	213.0 cm
280.0 cm	21.5 cm	19.1 cm	47.6°	79 / 89 cm	264.1 / 273.1 cm	86 / 96 cm	205.5 cm
285.0 cm	21.9 cm	18.7 cm	48.7°	79 / 89 cm	260.1 / 269.1 cm	86 / 96 cm	198.5 cm
290.0 cm	22.3 cm	18.3 cm	49.7°	79 / 89 cm	255.8 / 264.8 cm	86 / 96 cm	191.0 cm
292.5 cm	22.5 cm	18.0 cm	50.2°	79 / 89 cm	253.6 / 262.6 cm	86 / 96 cm	187.5 cm

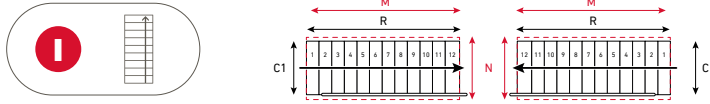
* Staircase width incl. Classic / Style 6 banister on 1 side

** Floor opening size is defined based on 2 cm space to wall, 5 cm space for hand

*** 25 cm deck thickness, 200 cm headspace

SYDNEY 12 TREADS - WIDTH 75 & 85 CM

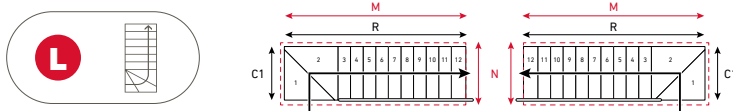
DESIGN / PURE BANISTER



H **S** **G** **P** **C1** **R** **N** **M**

Height	Rise	Going	Pitch	Stair width *	Total going length	Opening width min. **	Opening length min. ***
240.5 cm	18.5 cm	22.1 cm	40.0°	75 / 85 cm	264.8 cm	82 / 92 cm	268.0 cm
245.0 cm	18.8 cm	21.9 cm	40.9°	75 / 85 cm	262.5 cm	82 / 92 cm	260.5 cm
250.0 cm	19.2 cm	21.5 cm	41.8°	75 / 85 cm	258.9 cm	82 / 92 cm	252.0 cm
255.0 cm	19.6 cm	21.1 cm	42.7°	75 / 85 cm	255.2 cm	82 / 92 cm	244.0 cm
260.0 cm	20.0 cm	20.8 cm	43.7°	75 / 85 cm	251.7 cm	82 / 92 cm	236.0 cm
265.0 cm	20.4 cm	20.4 cm	44.6°	75 / 85 cm	247.8 cm	82 / 92 cm	227.5 cm
270.0 cm	20.8 cm	19.9 cm	45.8°	75 / 85 cm	243.5 cm	82 / 92 cm	219.0 cm
275.0 cm	21.2 cm	19.5 cm	46.6°	75 / 85 cm	239.3 cm	82 / 92 cm	213.0 cm
280.0 cm	21.5 cm	19.1 cm	47.6°	75 / 85 cm	235.8 cm	82 / 92 cm	205.5 cm
285.0 cm	21.9 cm	18.7 cm	48.7°	75 / 85 cm	231.5 cm	82 / 92 cm	198.5 cm
290.0 cm	22.3 cm	18.3 cm	49.7°	75 / 85 cm	226.9 cm	82 / 92 cm	191.0 cm
292.5 cm	22.5 cm	18.0 cm	50.2°	75 / 85 cm	224.3 cm	82 / 92 cm	187.5 cm

* Staircase width incl. Design / Pure banister on 1 side ** Floor opening size is defined based on 2 cm space to wall, 5 cm space for hand *** 25 cm deck thickness, 200 cm headspace



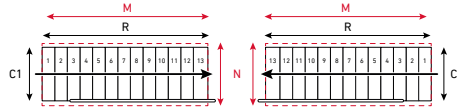
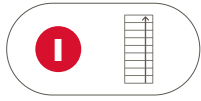
H **S** **G** **P** **C1** **R** **N** **M**

Height	Rise	Going	Pitch	Stair width *	Total going length	Opening width min. **	Opening length min. ***
240.5 cm	18.5 cm	22.1 cm	40.0°	75 / 85 cm	290.0 / 299.0 cm	82 / 92 cm	292.0 / 301.0 cm
245.0 cm	18.8 cm	21.9 cm	40.9°	75 / 85 cm	287.8 / 296.8 cm	82 / 92 cm	289.8 / 298.8 cm
250.0 cm	19.2 cm	21.5 cm	41.8°	75 / 85 cm	284.7 / 293.7 cm	82 / 92 cm	286.7 / 295.7 cm
255.0 cm	19.6 cm	21.1 cm	42.7°	75 / 85 cm	281.4 / 290.4 cm	82 / 92 cm	283.4 / 292.4 cm
260.0 cm	20.0 cm	20.8 cm	43.7°	75 / 85 cm	278.2 / 287.2 cm	82 / 92 cm	280.2 / 289.2 cm
265.0 cm	20.4 cm	20.4 cm	44.6°	75 / 85 cm	274.7 / 283.7 cm	82 / 92 cm	227.5 cm
270.0 cm	20.8 cm	19.9 cm	45.8°	75 / 85 cm	270.9 / 279.9 cm	82 / 92 cm	219.0 cm
275.0 cm	21.2 cm	19.5 cm	46.6°	75 / 85 cm	267.2 / 276.2 cm	82 / 92 cm	213.0 cm
280.0 cm	21.5 cm	19.1 cm	47.6°	75 / 85 cm	264.1 / 273.1 cm	82 / 92 cm	205.5 cm
285.0 cm	21.9 cm	18.7 cm	48.7°	75 / 85 cm	260.1 / 269.1 cm	82 / 92 cm	198.5 cm
290.0 cm	22.3 cm	18.3 cm	49.7°	75 / 85 cm	255.8 / 264.8 cm	82 / 92 cm	191.0 cm
292.5 cm	22.5 cm	18.0 cm	50.2°	75 / 85 cm	253.6 / 262.6 cm	82 / 92 cm	187.5 cm

* Staircase width incl. Design / Pure banister on 1 side ** Floor opening size is defined based on 2 cm space to wall, 5 cm space for hand *** 25 cm deck thickness, 200 cm headspace

SYDNEY 13 TREADS - WIDTH 75 & 85 CM

CLASSIC / STYLE 6 BANISTER



H

S

G

P

C1

R

N

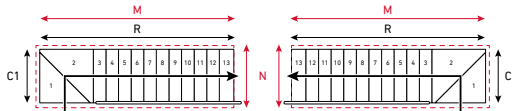
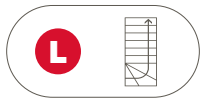
M

Height	Rise	Going	Pitch	Stair width *	Total going length	Opening width min. **	Opening length min. ***
259.0 cm	18.5 cm	22.1 cm	40.0°	79 / 89 cm	286.9 cm	86 / 96 cm	268.0 cm
260.0 cm	18.6 cm	22.0 cm	40.2°	79 / 89 cm	286.0 cm	86 / 96 cm	267.0 cm
265.0 cm	18.9 cm	21.8 cm	41.1°	79 / 89 cm	283.4 cm	86 / 96 cm	259.0 cm
270.0 cm	19.3 cm	21.4 cm	41.9°	79 / 89 cm	279.4 cm	86 / 96 cm	251.0 cm
275.0 cm	19.6 cm	21.1 cm	42.8°	79 / 89 cm	276.3 cm	86 / 96 cm	243.5 cm
280.0 cm	20.0 cm	20.8 cm	43.7°	79 / 89 cm	272.5 cm	86 / 96 cm	236.0 cm
285.0 cm	20.4 cm	20.4 cm	44.6°	79 / 89 cm	268.2 cm	86 / 96 cm	228.5 cm
290.0 cm	20.7 cm	20.1 cm	45.5°	79 / 89 cm	264.9 cm	86 / 96 cm	221.5 cm
295.0 cm	21.1 cm	19.7 cm	46.4°	79 / 89 cm	260.4 cm	86 / 96 cm	214.5 cm
300.0 cm	21.4 cm	19.3 cm	47.3°	79 / 89 cm	256.5 cm	86 / 96 cm	207.5 cm
305.0 cm	21.8 cm	18.8 cm	48.3°	79 / 89 cm	251.4 cm	86 / 96 cm	201.0 cm
310.0 cm	22.1 cm	18.5 cm	49.3°	79 / 89 cm	247.7 cm	86 / 96 cm	194.0 cm
315.0 cm	22.5 cm	18.0 cm	50.2°	79 / 89 cm	242.3 cm	86 / 96 cm	187.5 cm

* Staircase width incl. Classic / Style 6 banister on 1 side

** Floor opening size is defined based on 2 cm space to wall, 5 cm space for hand

*** 25 cm deck thickness, 200 cm headspace



H

S

G

P

C1

R

N

M

Height	Rise	Going	Pitch	Stair width *	Total going length	Opening width min. **	Opening length min. ***
259.0 cm	18.5 cm	22.1 cm	40.0°	79 / 89 cm	312.1 / 321.1 cm	86 / 96 cm	314.1 / 323.1 cm
260.0 cm	18.6 cm	22.0 cm	40.2°	79 / 89 cm	311.3 / 320.3 cm	86 / 96 cm	313.3 / 322.3 cm
265.0 cm	18.9 cm	21.8 cm	41.1°	79 / 89 cm	308.9 / 317.9 cm	86 / 96 cm	259.0 / 259.0 cm
270.0 cm	19.3 cm	21.4 cm	41.9°	79 / 89 cm	305.3 / 314.3 cm	86 / 96 cm	251.0 cm
275.0 cm	19.6 cm	21.1 cm	42.8°	79 / 89 cm	302.5 / 311.5 cm	86 / 96 cm	243.5 cm
280.0 cm	20.0 cm	20.8 cm	43.7°	79 / 89 cm	299.0 / 308.0 cm	86 / 96 cm	236.0 cm
285.0 cm	20.4 cm	20.4 cm	44.6°	79 / 89 cm	295.1 / 304.1 cm	86 / 96 cm	228.5 cm
290.0 cm	20.7 cm	20.1 cm	45.5°	79 / 89 cm	292.1 / 301.1 cm	86 / 96 cm	221.5 cm
295.0 cm	21.1 cm	19.7 cm	46.4°	79 / 89 cm	287.9 / 296.9 cm	86 / 96 cm	214.5 cm
300.0 cm	21.4 cm	19.3 cm	47.3°	79 / 89 cm	284.5 / 293.5 cm	86 / 96 cm	207.5 cm
305.0 cm	21.8 cm	18.8 cm	48.3°	79 / 89 cm	279.9 / 288.9 cm	86 / 96 cm	201.0 cm
310.0 cm	22.1 cm	18.5 cm	49.3°	79 / 89 cm	276.5 / 285.5 cm	86 / 96 cm	194.0 cm
315.0 cm	22.5 cm	18.0 cm	50.2°	79 / 89 cm	271.6 / 280.6 cm	86 / 96 cm	187.5 cm

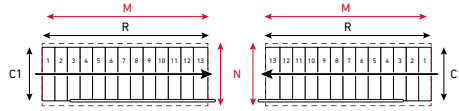
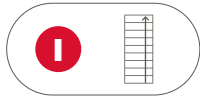
* Staircase width incl. Classic / Style 6 banister on 1 side

** Floor opening size is defined based on 2 cm space to wall, 5 cm space for hand

*** 25 cm deck thickness, 200 cm headspace

SYDNEY 13 TREADS - WIDTH 75 & 85 CM

DESIGN/ PURE BANISTER

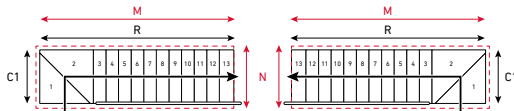
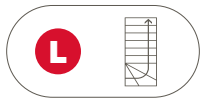

H
S
G
P
C1
R
N
M

Height	Rise	Going	Pitch	Stair width *	Total going length	Opening width min. **	Opening length min. ***
259.0 cm	18.5 cm	22.1 cm	40.0°	75 / 85 cm	286.9 cm	82 / 92 cm	268.0 cm
260.0 cm	18.6 cm	22.0 cm	40.2°	75 / 85 cm	286.0 cm	82 / 92 cm	267.0 cm
265.0 cm	18.9 cm	21.8 cm	41.1°	75 / 85 cm	283.4 cm	82 / 92 cm	259.0 cm
270.0 cm	19.3 cm	21.4 cm	41.9°	75 / 85 cm	279.4 cm	82 / 92 cm	251.0 cm
275.0 cm	19.6 cm	21.1 cm	42.8°	75 / 85 cm	276.3 cm	82 / 92 cm	243.5 cm
280.0 cm	20.0 cm	20.8 cm	43.7°	75 / 85 cm	272.5 cm	82 / 92 cm	236.0 cm
285.0 cm	20.4 cm	20.4 cm	44.6°	75 / 85 cm	268.2 cm	82 / 92 cm	228.5 cm
290.0 cm	20.7 cm	20.1 cm	45.5°	75 / 85 cm	264.9 cm	82 / 92 cm	221.5 cm
295.0 cm	21.1 cm	19.7 cm	46.4°	75 / 85 cm	260.4 cm	82 / 92 cm	214.5 cm
300.0 cm	21.4 cm	19.3 cm	47.3°	75 / 85 cm	256.5 cm	82 / 92 cm	207.5 cm
305.0 cm	21.8 cm	18.8 cm	48.3°	75 / 85 cm	251.4 cm	82 / 92 cm	201.0 cm
310.0 cm	22.1 cm	18.5 cm	49.3°	75 / 85 cm	247.7 cm	82 / 92 cm	194.0 cm
315.0 cm	22.5 cm	18.0 cm	50.2°	75 / 85 cm	242.3 cm	82 / 92 cm	187.5 cm

* Staircase width incl. Design / Pure banister on 1 side

** Floor opening size is defined based on 2 cm space to wall, 5 cm space for hand

*** 25 cm deck thickness, 200 cm headspace


H
S
G
P
C1
R
N
M

Height	Rise	Going	Pitch	Stair width *	Total going length	Opening width min. **	Opening length min. ***
259.0 cm	18.5 cm	22.1 cm	40.0°	75 / 85 cm	312.1 / 321.1 cm	82 / 92 cm	314.1 / 323.1 cm
260.0 cm	18.6 cm	22.0 cm	40.2°	75 / 85 cm	311.3 / 320.3 cm	82 / 92 cm	313.3 / 322.3 cm
265.0 cm	18.9 cm	21.8 cm	41.1°	75 / 85 cm	308.9 / 317.9 cm	82 / 92 cm	259.0 / 259.0 cm
270.0 cm	19.3 cm	21.4 cm	41.9°	75 / 85 cm	305.3 / 314.3 cm	82 / 92 cm	251.0 cm
275.0 cm	19.6 cm	21.1 cm	42.8°	75 / 85 cm	302.5 / 311.5 cm	82 / 92 cm	243.5 cm
280.0 cm	20.0 cm	20.8 cm	43.7°	75 / 85 cm	299.0 / 308.0 cm	82 / 92 cm	236.0 cm
285.0 cm	20.4 cm	20.4 cm	44.6°	75 / 85 cm	295.1 / 304.1 cm	82 / 92 cm	228.5 cm
290.0 cm	20.7 cm	20.1 cm	45.5°	75 / 85 cm	292.1 / 301.1 cm	82 / 92 cm	221.5 cm
295.0 cm	21.1 cm	19.7 cm	46.4°	75 / 85 cm	287.9 / 296.9 cm	82 / 92 cm	214.5 cm
300.0 cm	21.4 cm	19.3 cm	47.3°	75 / 85 cm	284.5 / 293.5 cm	82 / 92 cm	207.5 cm
305.0 cm	21.8 cm	18.8 cm	48.3°	75 / 85 cm	279.9 / 288.9 cm	82 / 92 cm	201.0 cm
310.0 cm	22.1 cm	18.5 cm	49.3°	75 / 85 cm	276.5 / 285.5 cm	82 / 92 cm	194.0 cm
315.0 cm	22.5 cm	18.0 cm	50.2°	75 / 85 cm	271.6 / 280.6 cm	82 / 92 cm	187.5 cm

* Staircase width incl. Design / Pure banister on 1 side

** Floor opening size is defined based on 2 cm space to wall, 5 cm space for hand

*** 25 cm deck thickness, 200 cm headspace