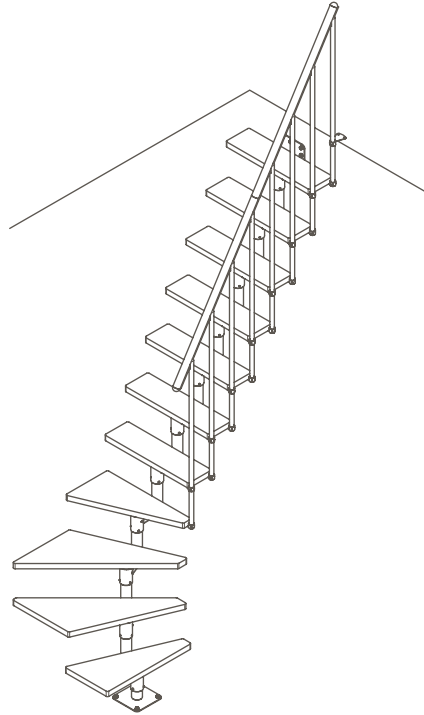
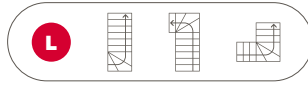
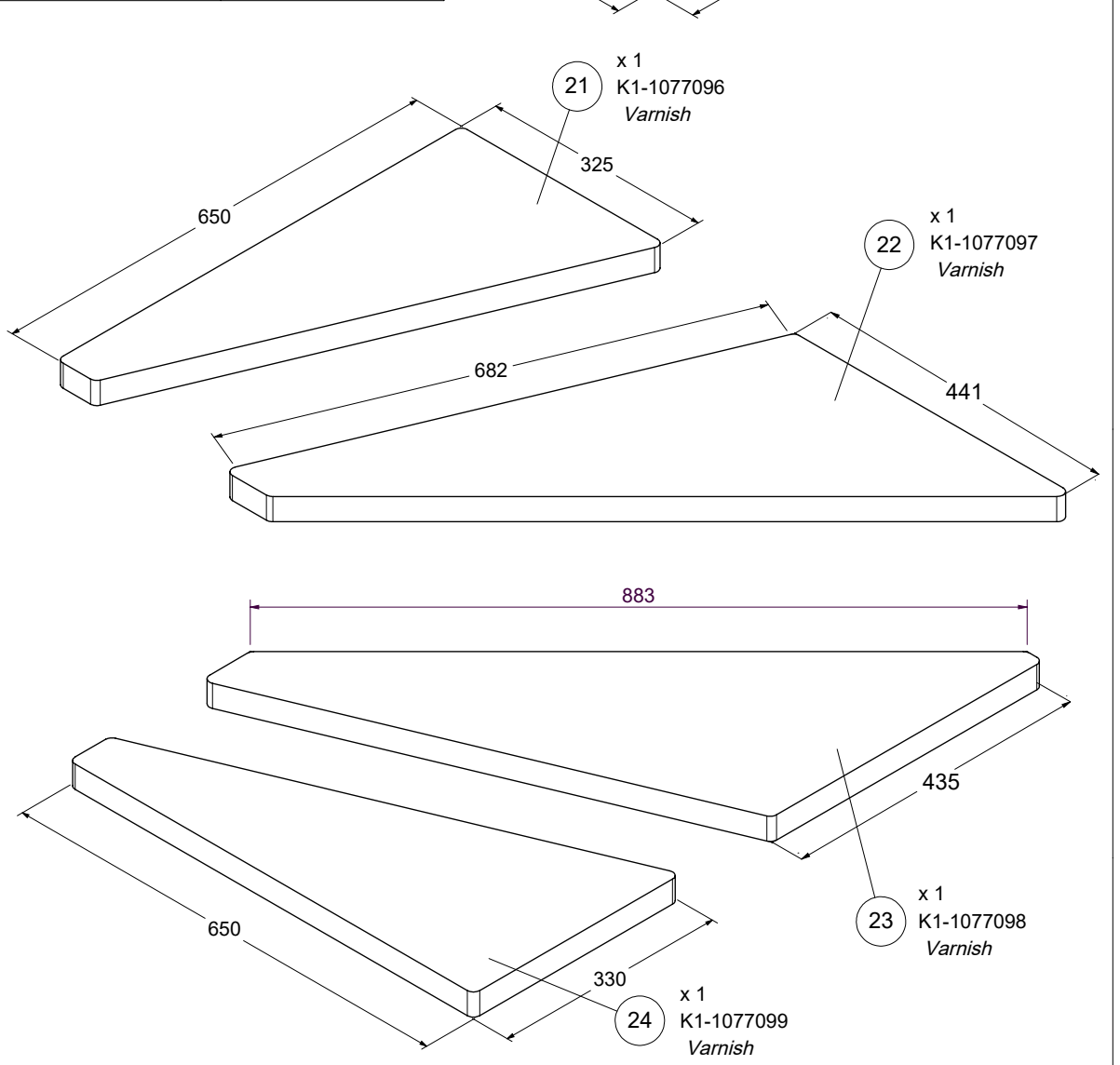
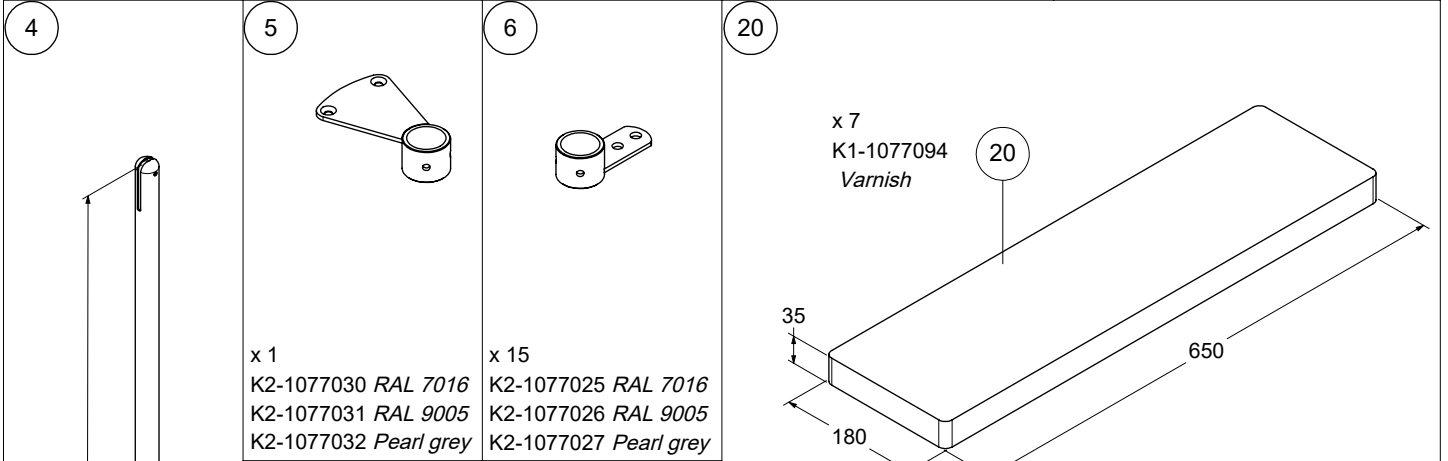
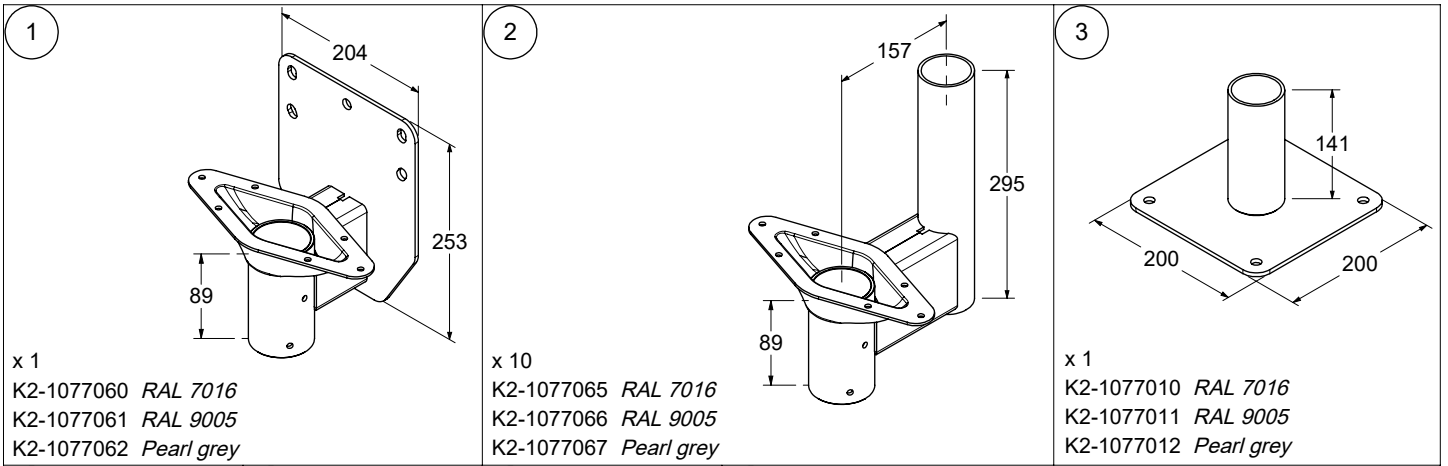


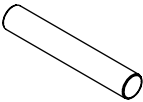

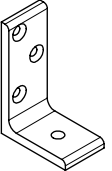
DALLAS

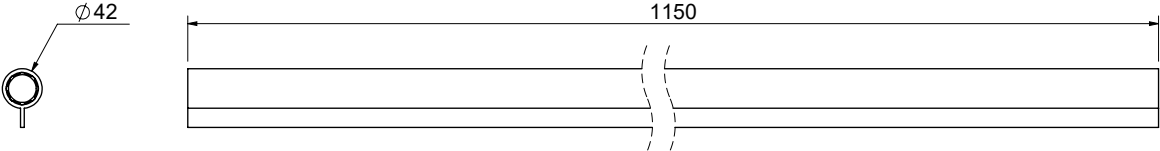
**INSTRUCTION / MONTAGEANLEITUNG
INSTRUKTION / INSTRUCCIÒN / INSTRUKCJA**




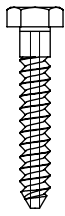
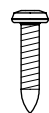









	Height floor-to-floor	Rise height	Number of treads
	Geschosshöhe	Steigungshöhe	Anzahl Stufen
	Hauteur sol-sol	Hauteur de marche	Nombre de marches
	Altura de suelo/suelo	Altura de peldaños	Número de peldaños
	Altura do chão / chão	Altura do degrau	Número de etapas (degraus)
	Hoogte vloer/vloer	Hoogte trede	Aantal treden
	Etagehøjde	Stigningshøjde	Antal trin
	Golv till golv höjd	Stigningshöjd	Antal steg
	Wysokość kondygnacji od podłogi do podłogi	Wysokość stopnia	Ilość stopni
	Înălțime sol-sol	Înălțime treaptă	Număr trepte
	Výška patra podlaha-podlaha	Výška schodu	Počet nášlapů
	Высота от пола до пола	Шаг ступени	Кол-во ступеней
	Aukšto aukštis	Pakopos aukštis	Pakopų kiekis
	Stäva augstums	Pakāpiena augstums	Pakāpienu skaits
	Korruse kõrgus	Astme kõrgus	Astmete arv
	Višina nadstropja	Višina stopnice	Število stopnic
	Visina kata	Visina stepenice	Broj stepenica
	Výška podlažia	Výška stupňa	Počet stupňov



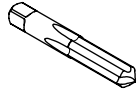


<p>26</p>  <p>x 1 K1-71276</p>	<p>27</p>  <p>x 2 K1-71275 RAL 9006 K1-71475 RAL 7016/9005</p>	<p>30</p>  <p>x 2 K1-1077195 RAL 7016 K1-1077196 RAL 9005 K1-1077197 Pearl grey</p>
---------------------------------------------------------------------------------------------------------------------	---------------------------------------------------------------------------------------------------------------------------------------------------------	-----------------------------------------------------------------------------------------------------------------------------------------------------------------------------------

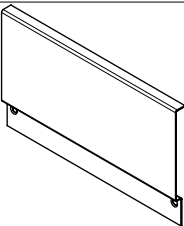
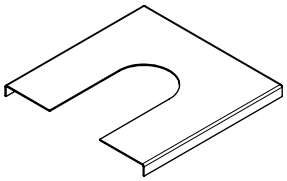
<p>28</p>  <p>x 2 K2-1077090 RAL 7016/9005 K2-1077092 RAL 9006</p>




<p>40</p>  <p>x 9 K3-08001 Ø12 x 60</p>	<p>41</p>  <p>x 9 K3-04001 Ø10</p>	<p>42</p>  <p>x 9 K3-06003 Ø10 x 60</p>	<p>43</p>  <p>x 55 K3-05003 M8 x 6</p>	<p>44</p>  <p>x 96 K3-06130 Ø6 x 30 TX30</p>	<p>45</p>  <p>x 32 K3-05056 M6 x 5</p>
----------------------------------------------------------------------------------------------------------------------------------	-----------------------------------------------------------------------------------------------------------------------------	----------------------------------------------------------------------------------------------------------------------------------	---------------------------------------------------------------------------------------------------------------------------------	-----------------------------------------------------------------------------------------------------------------------------------------	-----------------------------------------------------------------------------------------------------------------------------------

<p>46</p>  <p>x 8 K3-05011 M5 x 20</p>	<p>47</p>  <p>x 2 K3-08002 Ø8 x 40</p>	<p>48</p>  <p>x 2 K3-06027 Ø5 x 50 TX25</p>	<p>49</p>  <p>x 1 K3-90001</p>	<p>50</p>  <p>x 6 K3-06135 Ø6 x 35 TX30</p>	<p>52</p>  <p>x 2 K3-06015 Ø8 x 70</p>
---------------------------------------------------------------------------------------------------------------------------------	---------------------------------------------------------------------------------------------------------------------------------	--------------------------------------------------------------------------------------------------------------------------------------	----------------------------------------------------------------------------------------------------------------------	----------------------------------------------------------------------------------------------------------------------------------------	-----------------------------------------------------------------------------------------------------------------------------------

<p>53</p>  <p>x 2 K3-04028 Ø8</p>	<p>54</p>  <p>x 2 K3-08004 Ø10 x 60</p>	<p>55</p>  <p>x 1 K3-10010 M8</p>
------------------------------------------------------------------------------------------------------------------------------	------------------------------------------------------------------------------------------------------------------------------------	------------------------------------------------------------------------------------------------------------------------------

<p>OPTION MÖGLICHKEIT OPTIE OPTION MULIGHED</p>	<p>Cover kit Abdeckkappen Afdekkkit Kit de couverture Afdækningskit</p>
------------------------------------------------------------------------	------------------------------------------------------------------------------------------------

<p>10</p>  <p>x 1 K1-1077070 RAL 7016 K1-1077071 RAL 9005 K1-1077072 Pearl grey</p>	<p>11</p>  <p>x 1 K1-1077075 RAL 7016 K1-1077076 RAL 9005 K1-1077077 Pearl grey</p>
------------------------------------------------------------------------------------------------------------------------------------------------------------------------------------	--------------------------------------------------------------------------------------------------------------------------------------------------------------------------------------

<p>51</p>  <p>x 2 K3-06022 Ø5 x 35</p>	<p>56</p>  <p>x 2 K3-08006 Ø6 x 40</p>	<p>58</p>  <p>x 8 R3-20590</p>
-----------------------------------------------------------------------------------------------------------------------------------	-----------------------------------------------------------------------------------------------------------------------------------	-----------------------------------------------------------------------------------------------------------------------



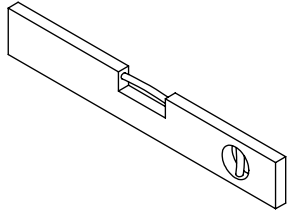
Tools not included!

Werkzeuge nicht enthalten!

Gereedschap niet inbegrepen!

Outils non inclus!

Værktøj ikke inkluderet!



Ø 6mm



Ø 8mm



Ø 10mm



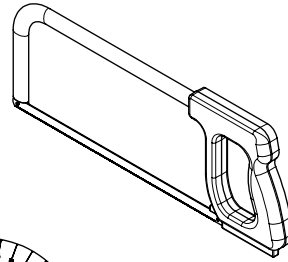
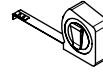
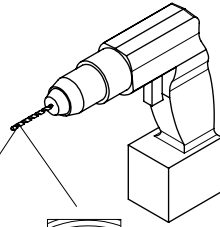
Ø 12mm



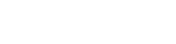
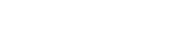
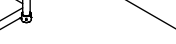
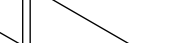
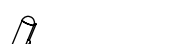
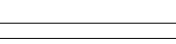
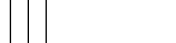
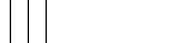
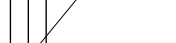
Ø 4mm



Ø 6mm



~ 50mm



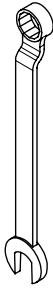
TX25
TX30
PH/PZ



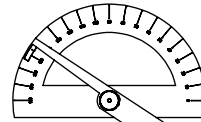
2,5 mm

3 mm

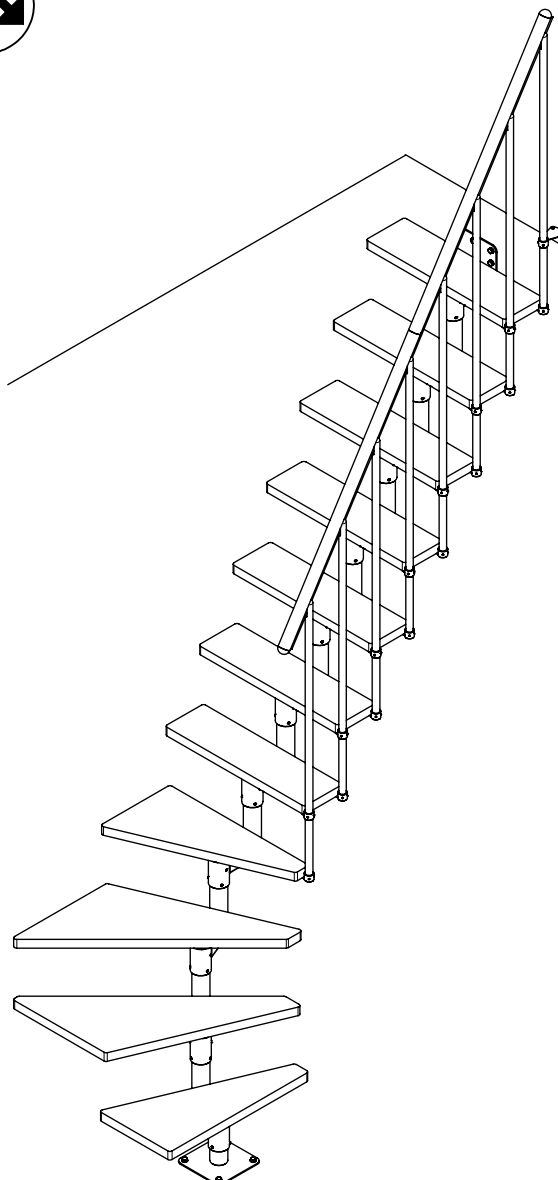
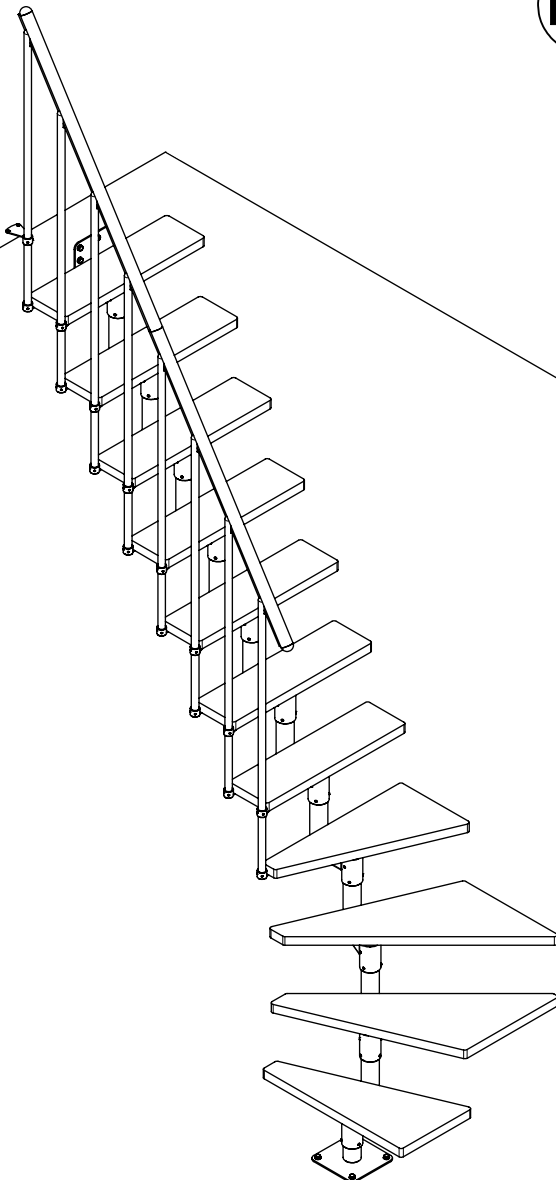
4 mm

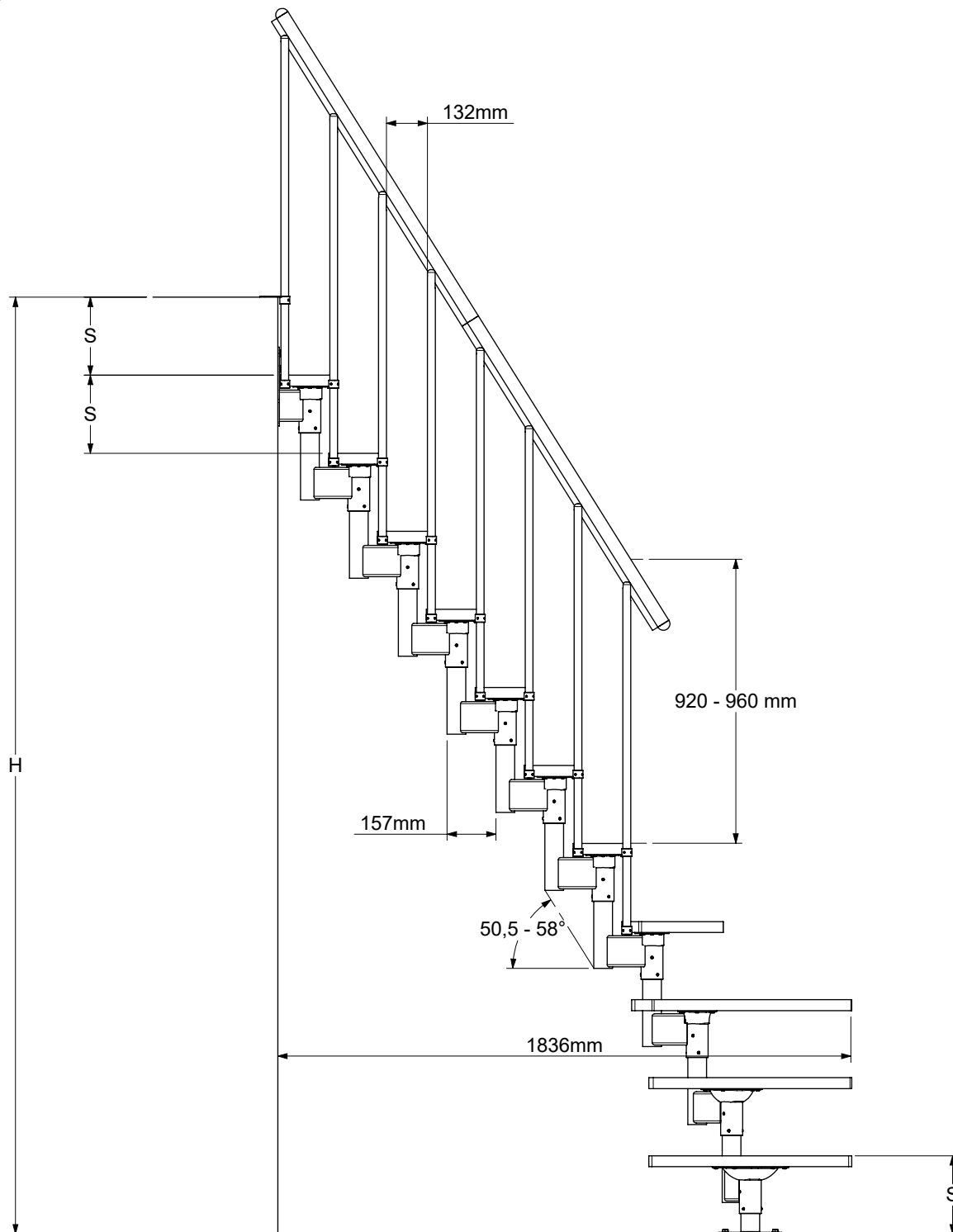


16mm



Protractor
Winkelmesser
Gradenboog
Rapporteur d'angle
Vinkelmåler





$$S = \frac{H}{T + 1}$$

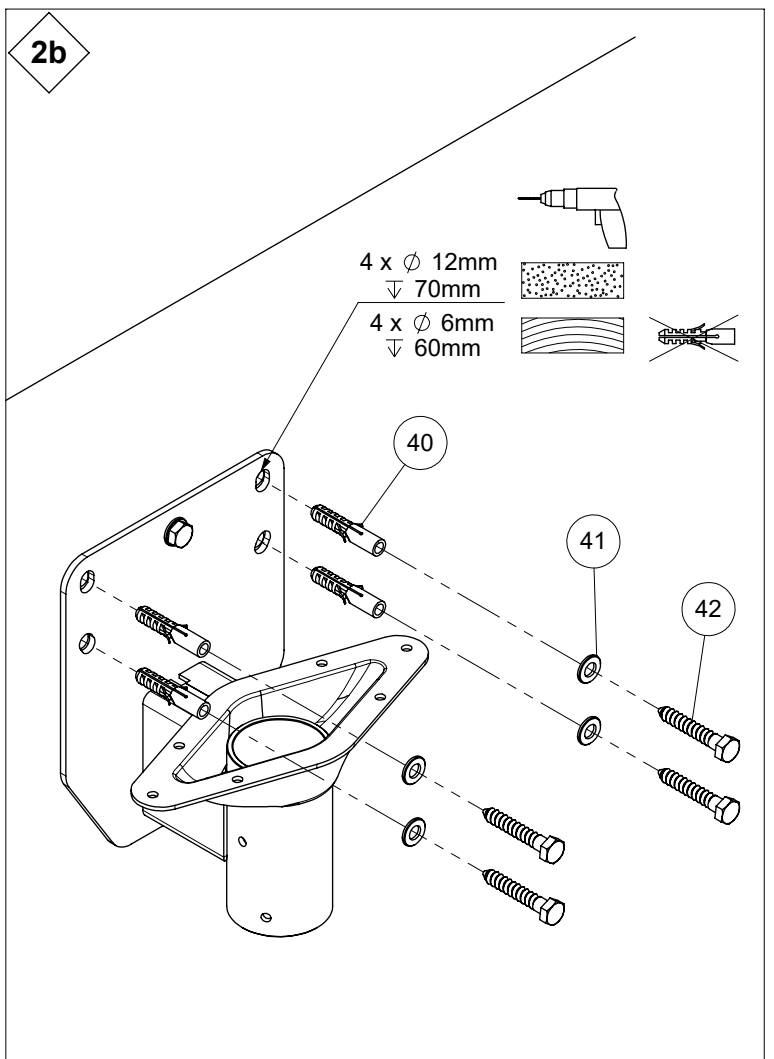
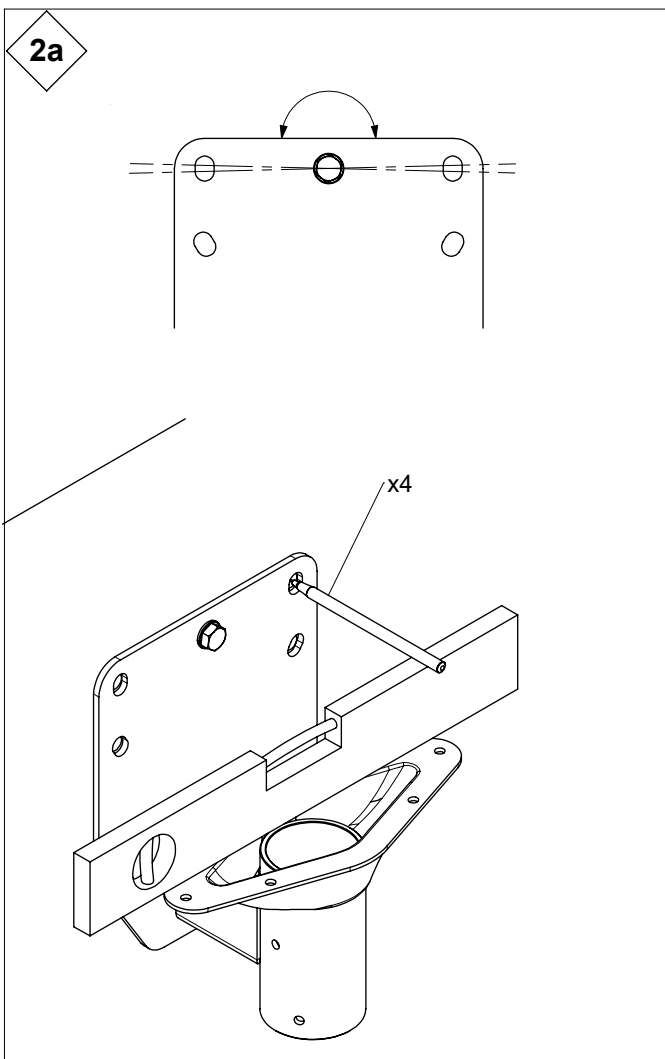
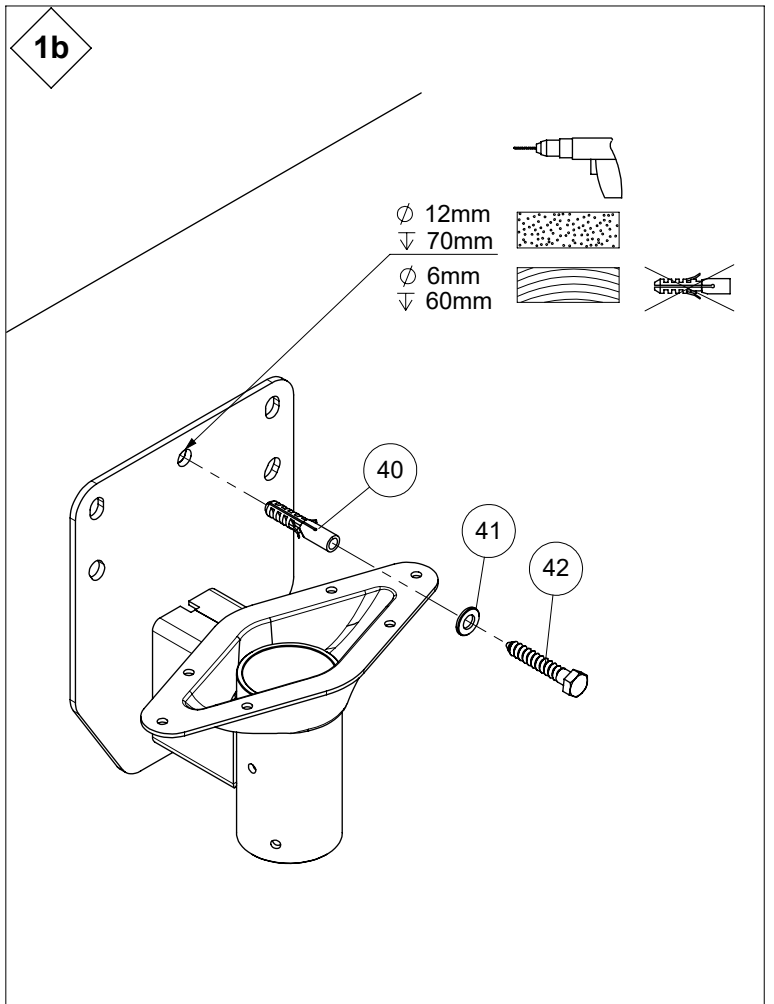
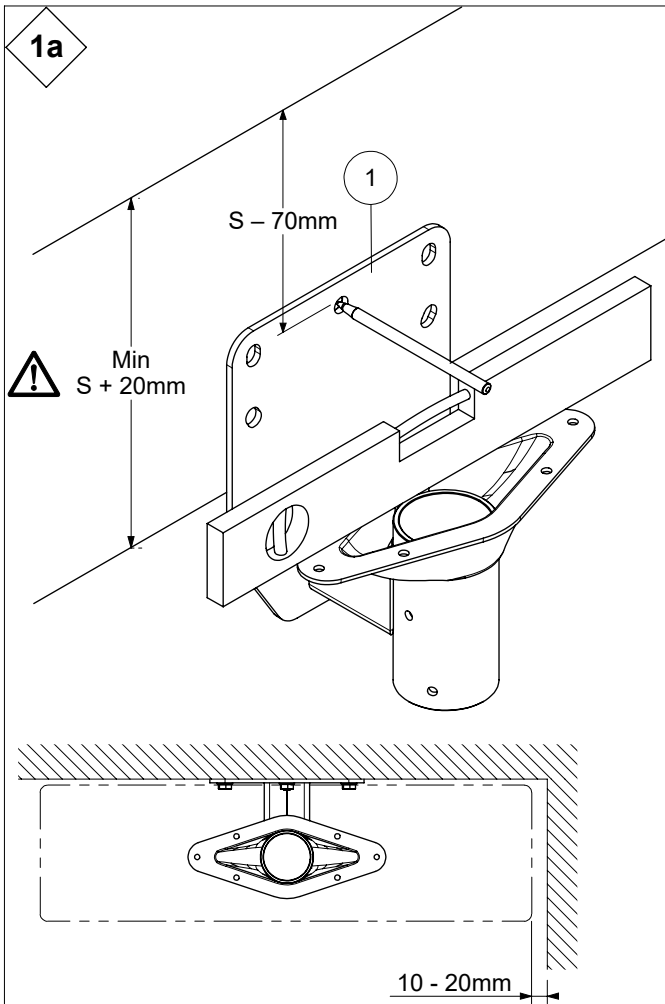
min S	max S
190 mm	250 mm

Example / Beispiel / Voorbeeld / Example / Eksempel:
 H: 2400 mm, T: 11 steps

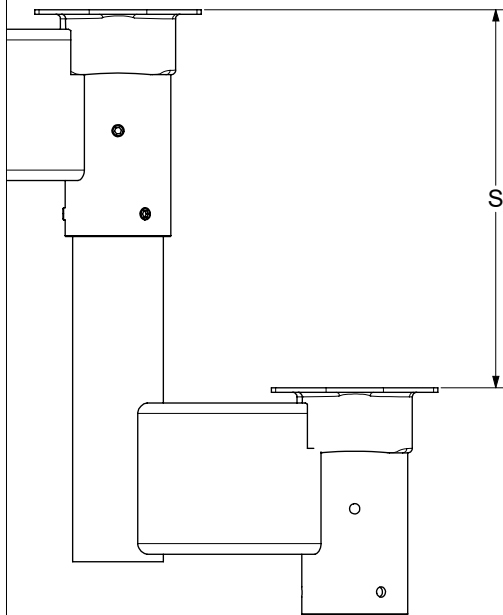
T	min H	max H
9 steps	1900 mm	2500 mm
10 steps	2090 mm	2750 mm
11 steps	2280 mm	3000 mm

$$S = \frac{2400 \text{ mm}}{11 + 1} = 200 \text{ mm}$$



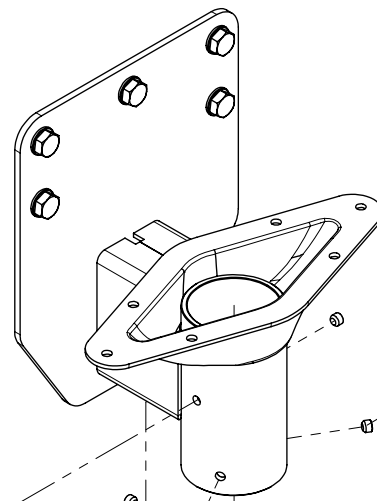


3

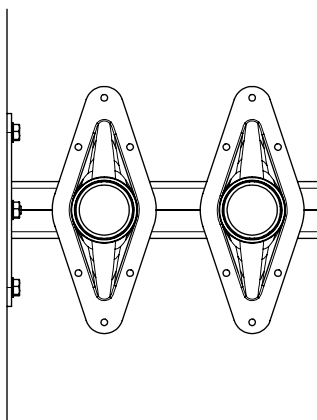


For removing burrs
Zum Entgraten
Om onregelmatigheden te elimineren
Pour éliminer les irrégularités
Til fjernelse af grater

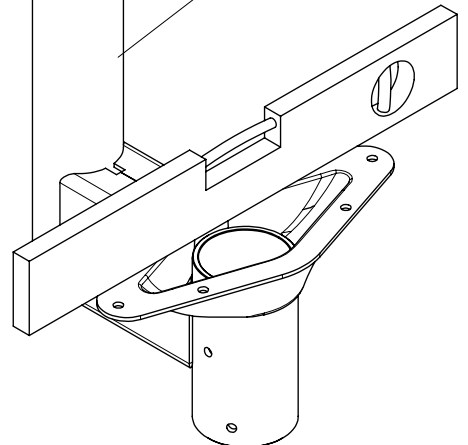
55



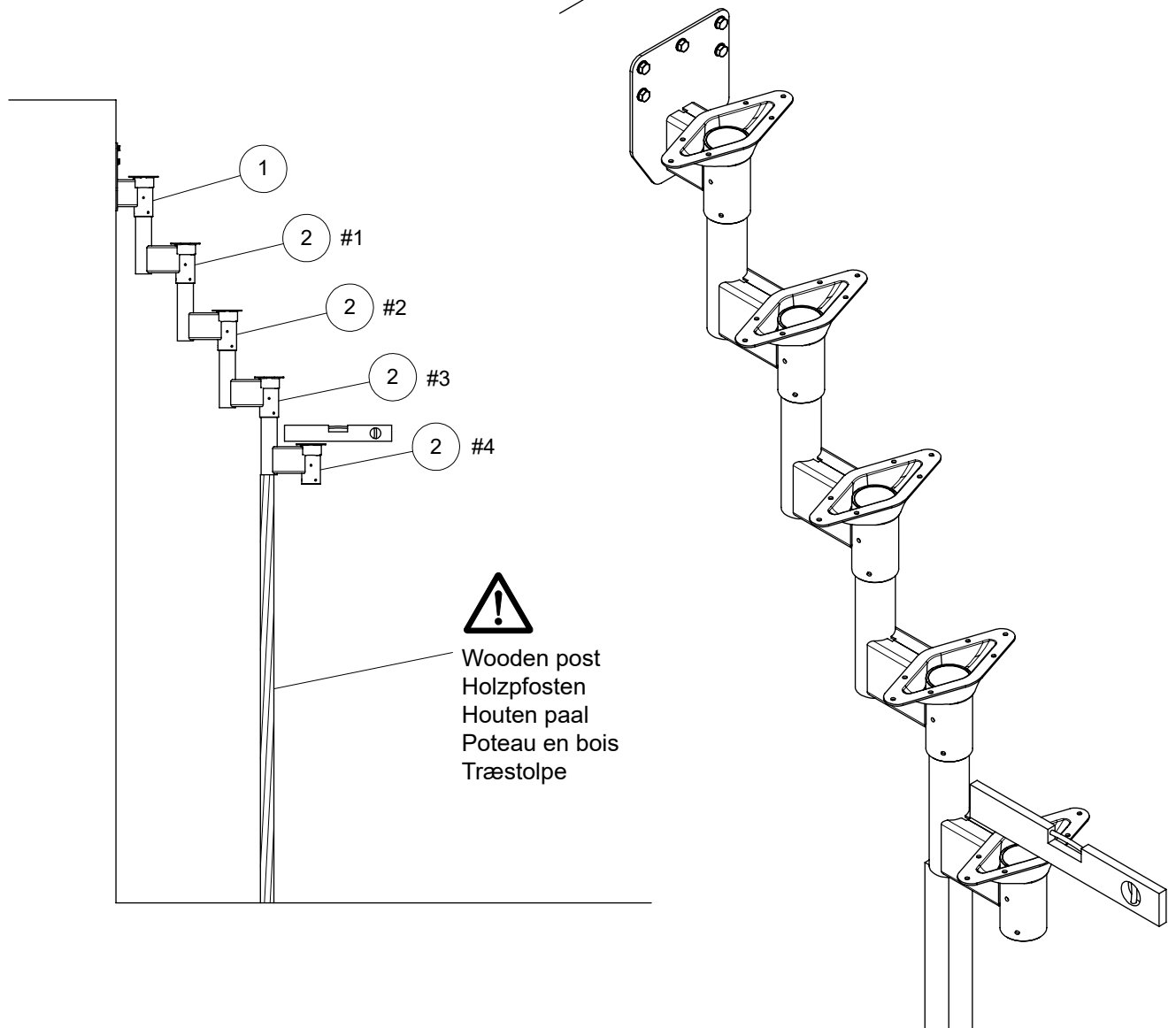
43 5x



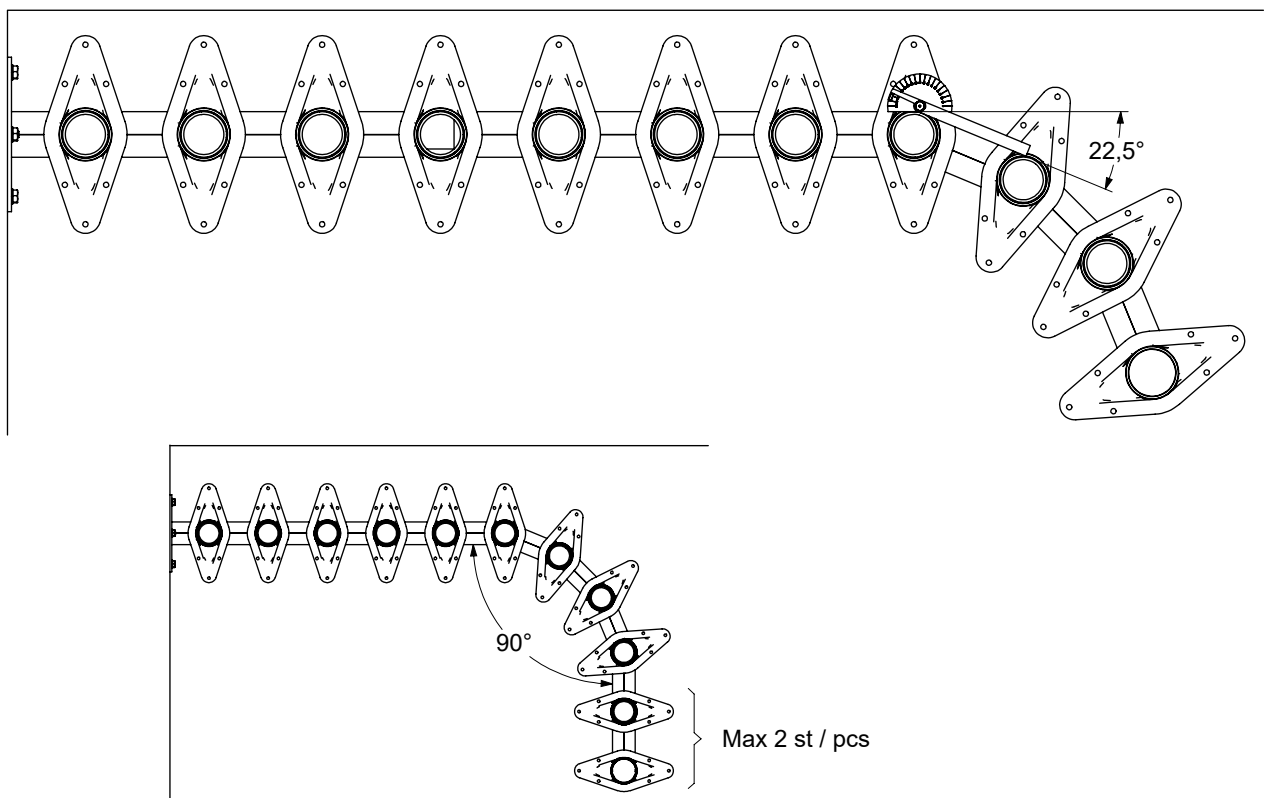
2

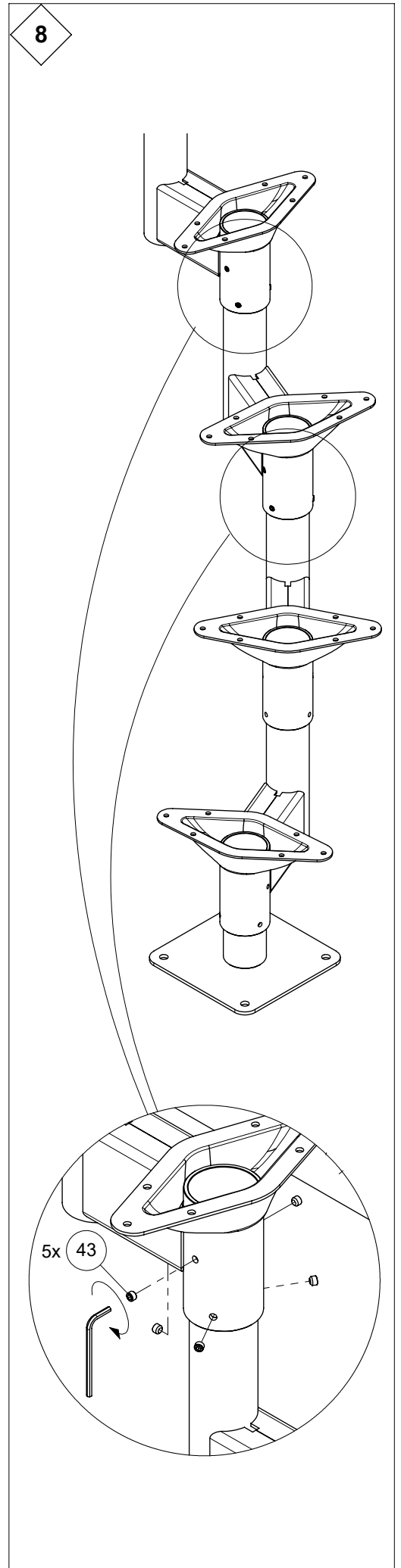
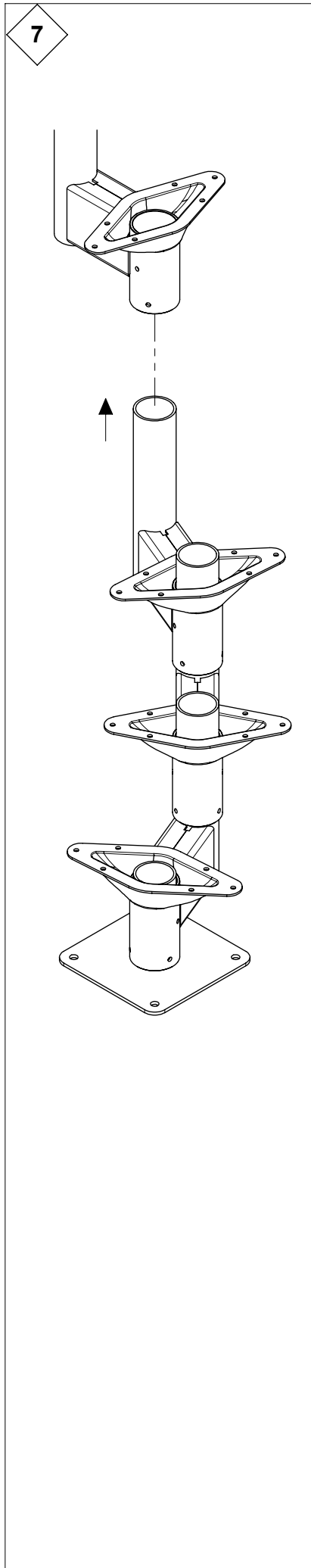
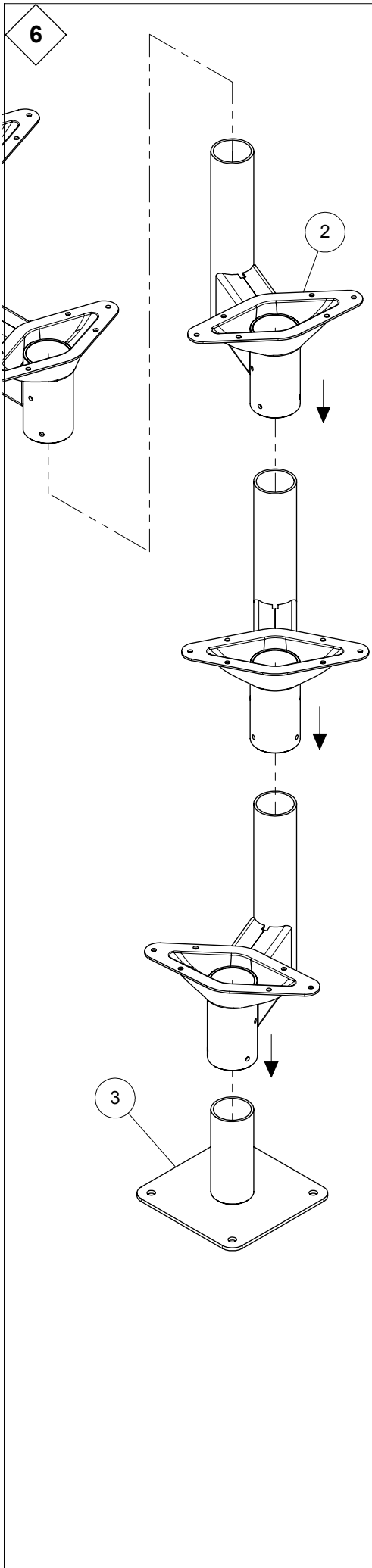


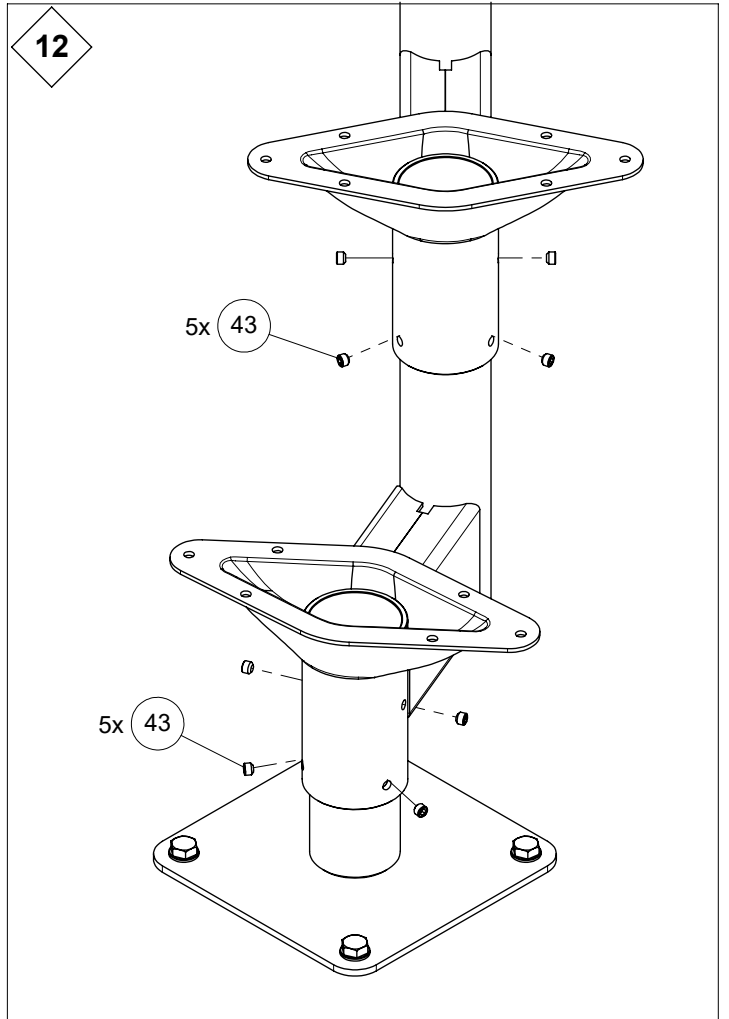
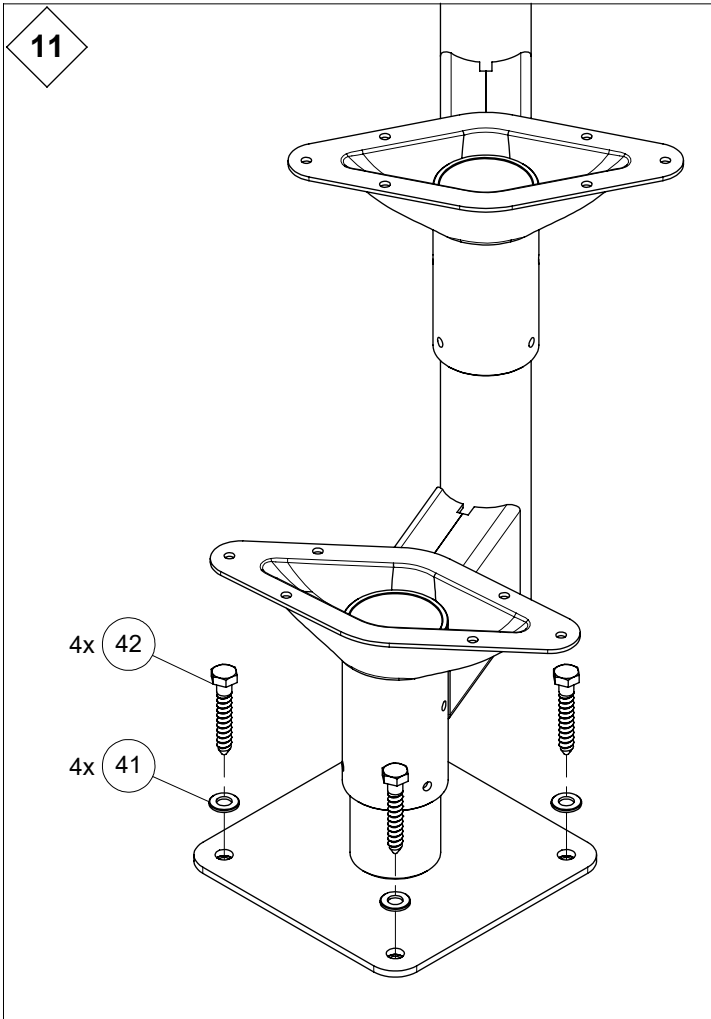
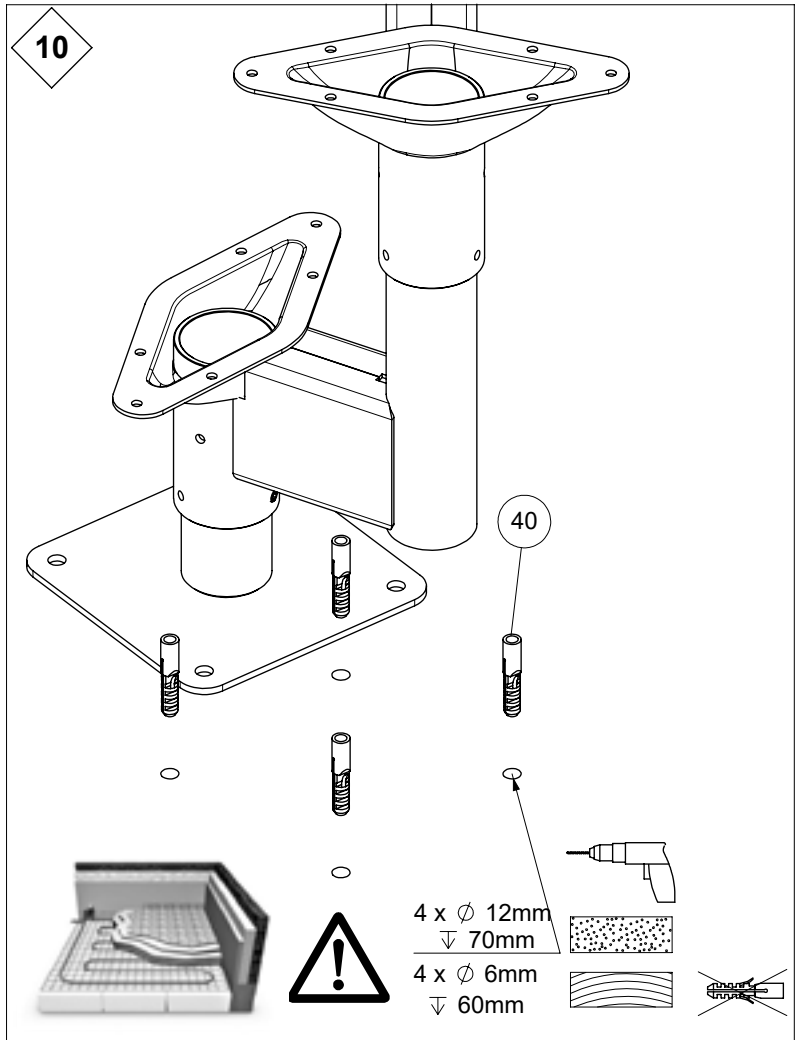
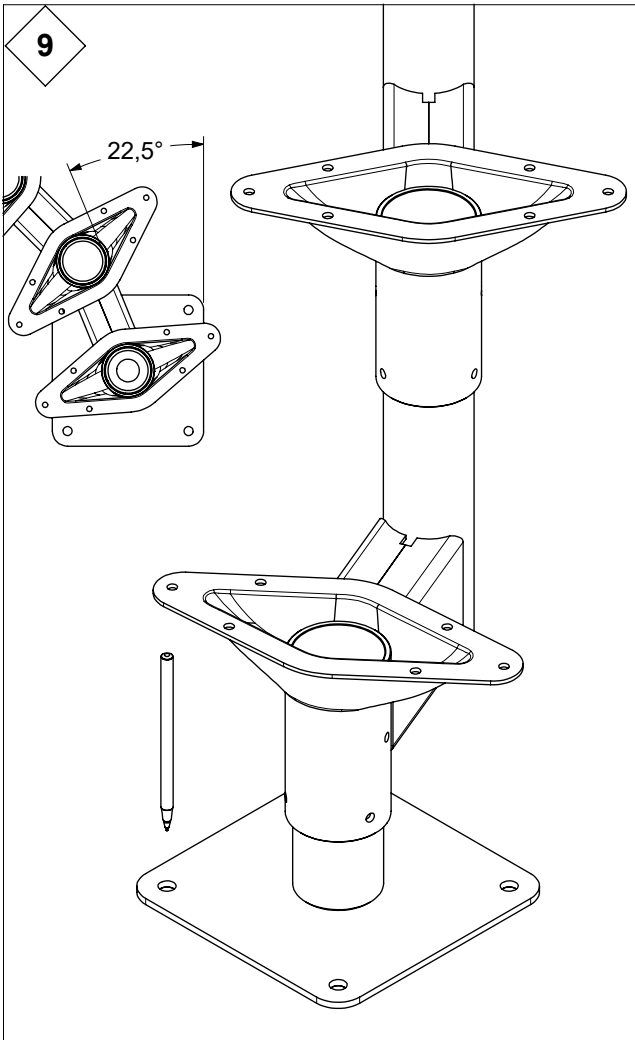
4

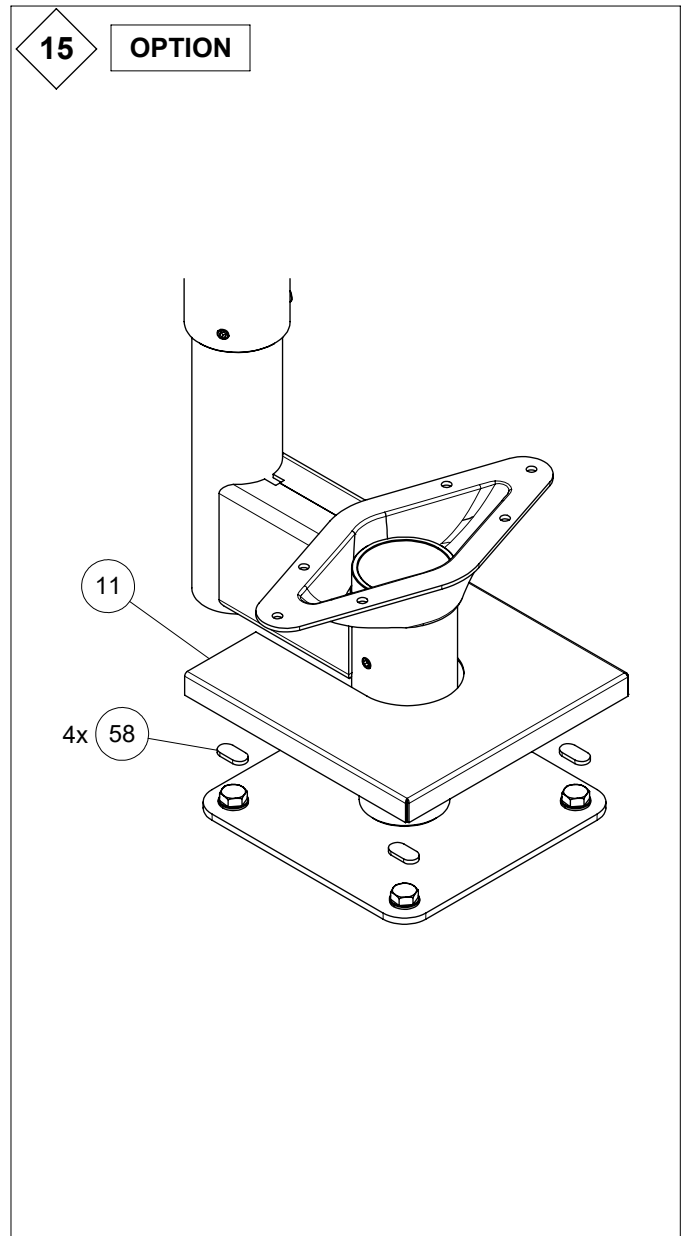
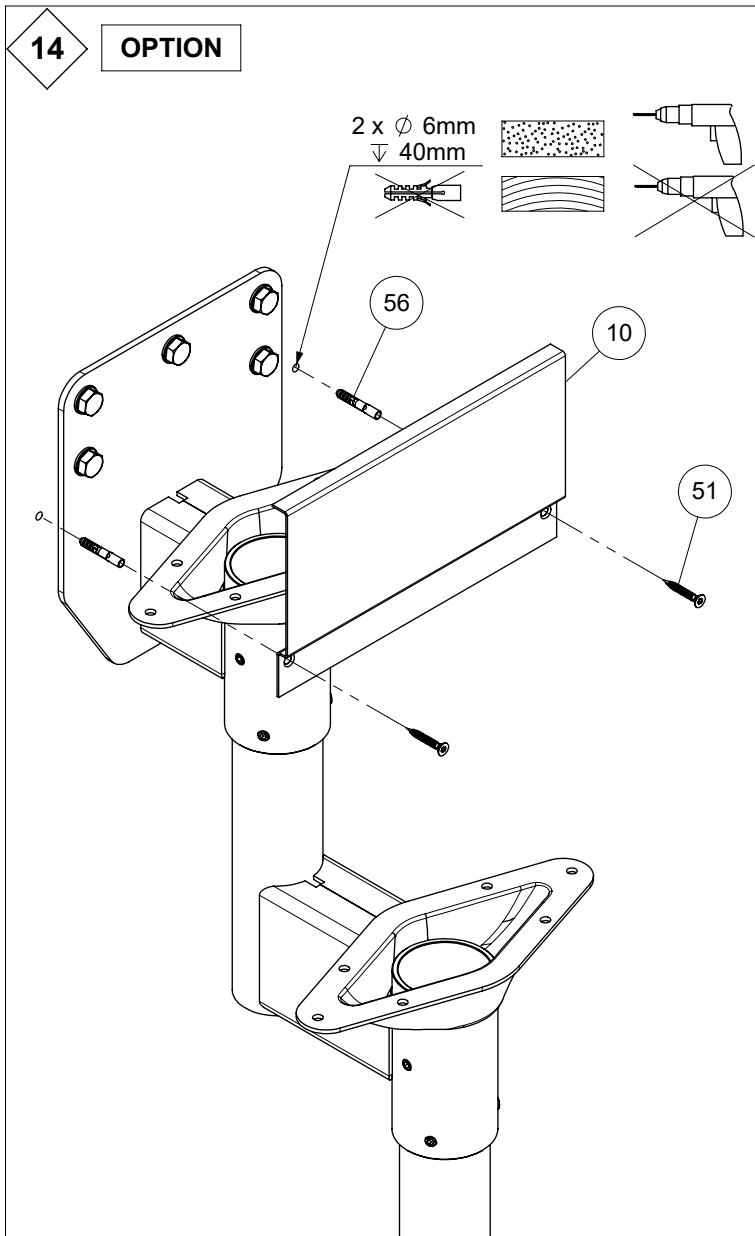
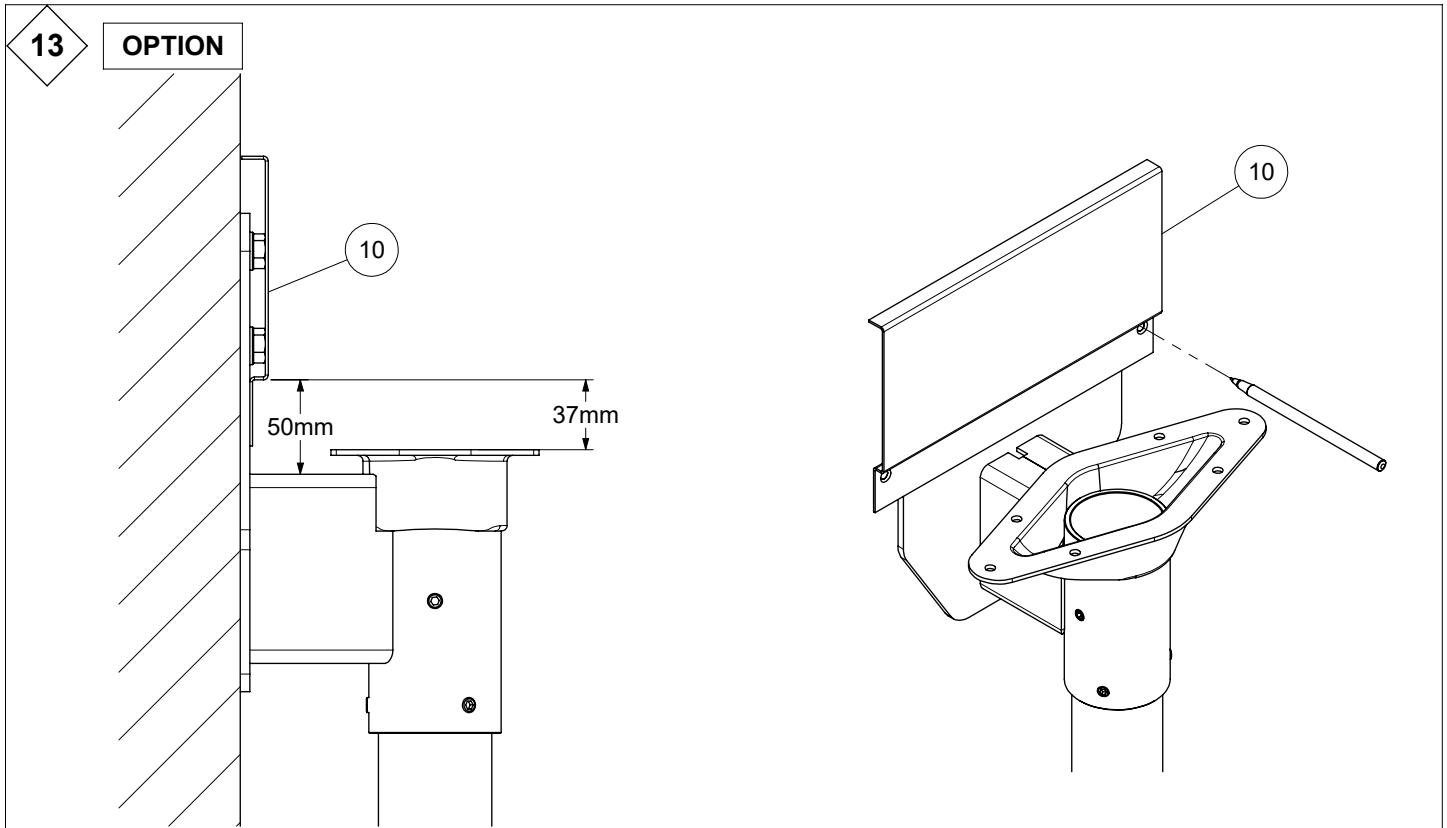


5

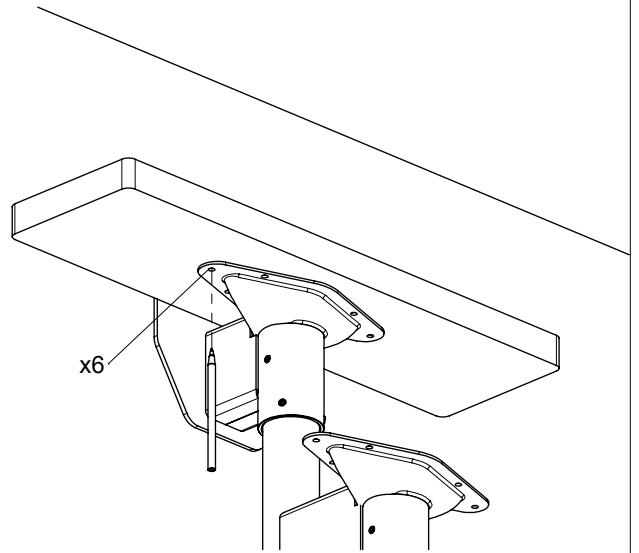
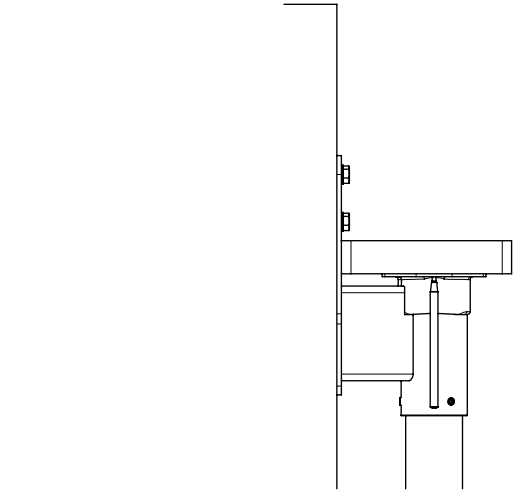
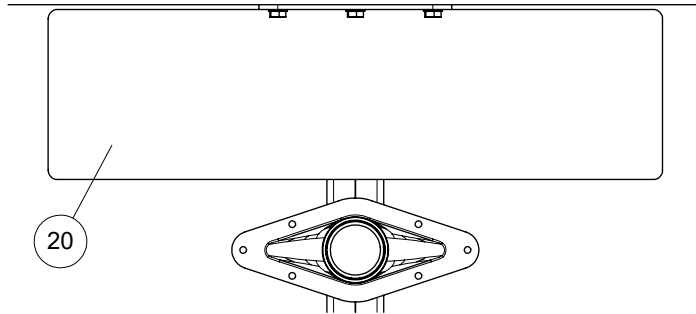
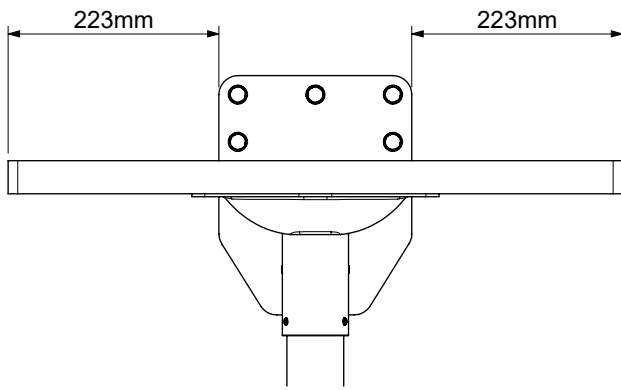




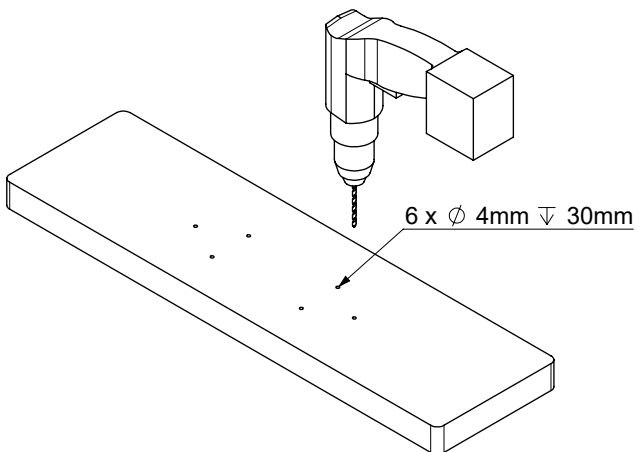




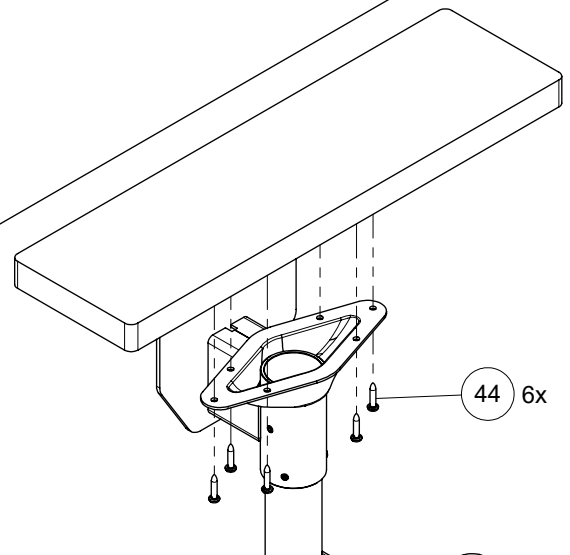
16



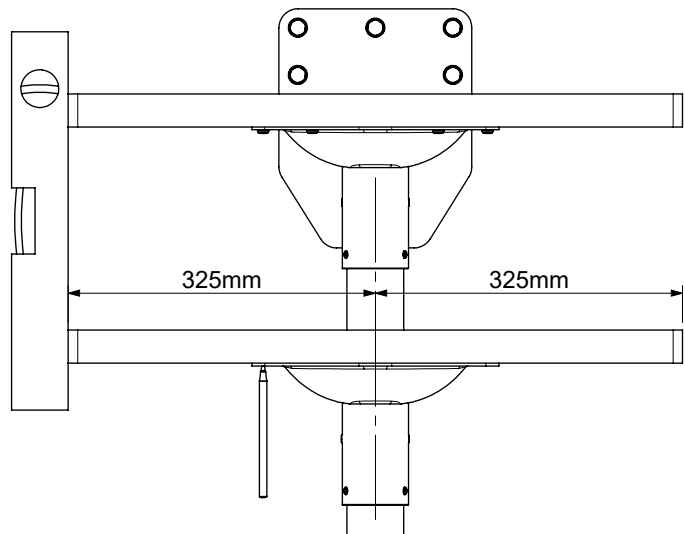
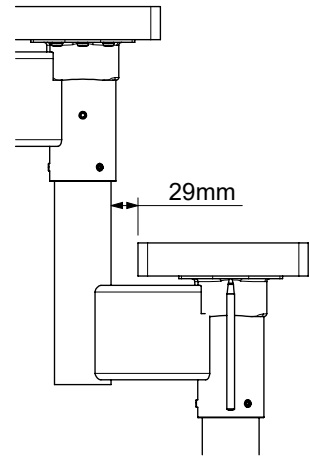
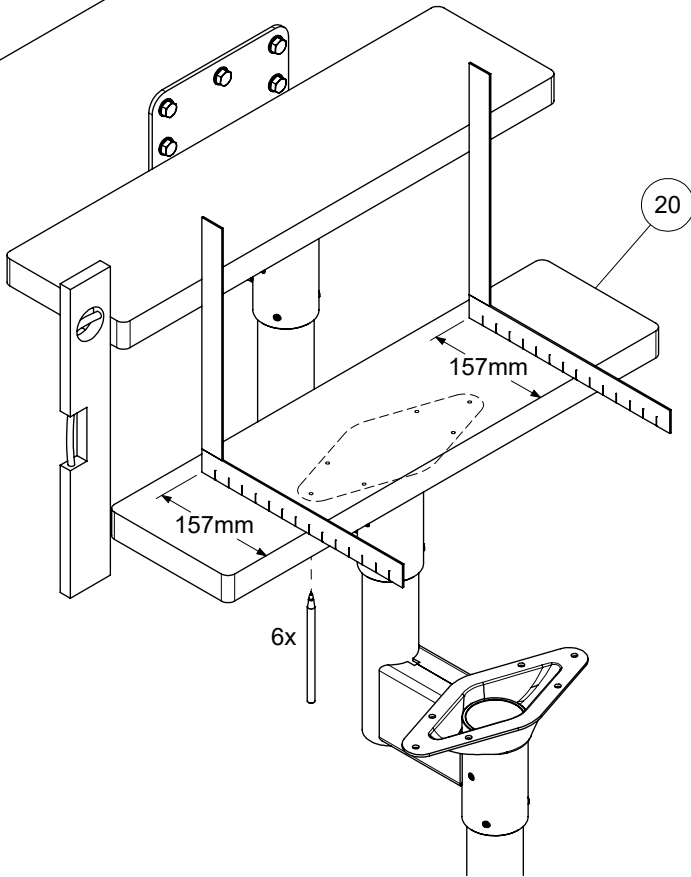
17

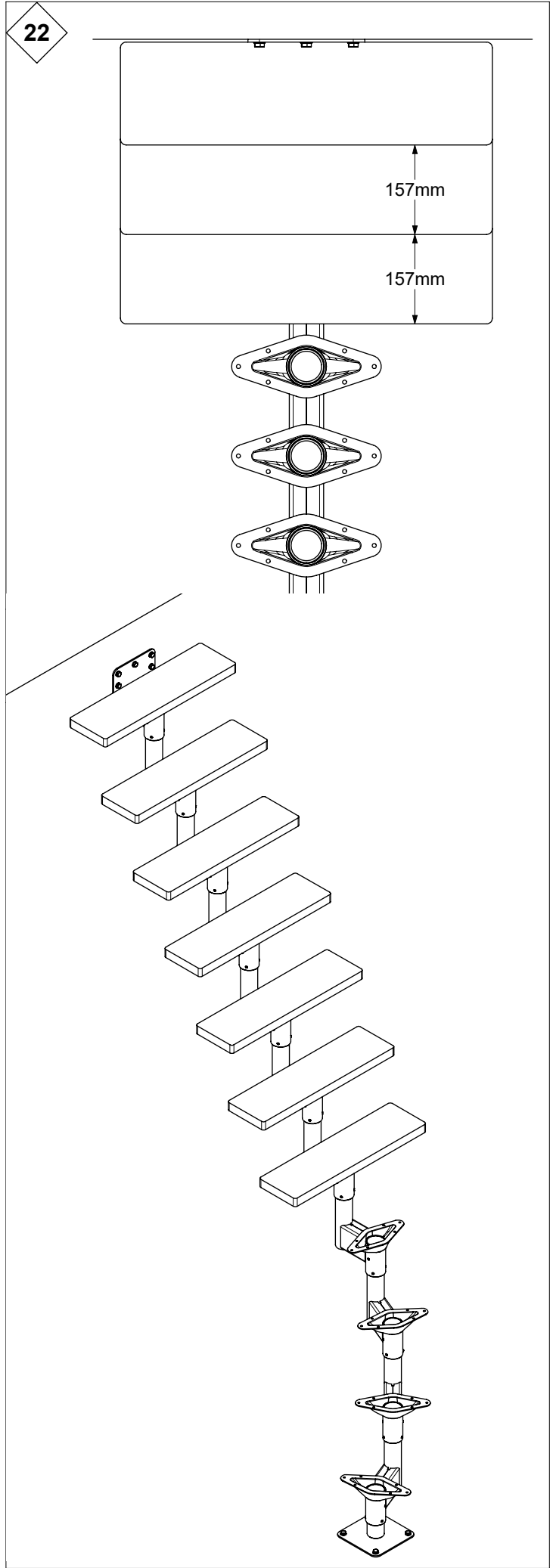
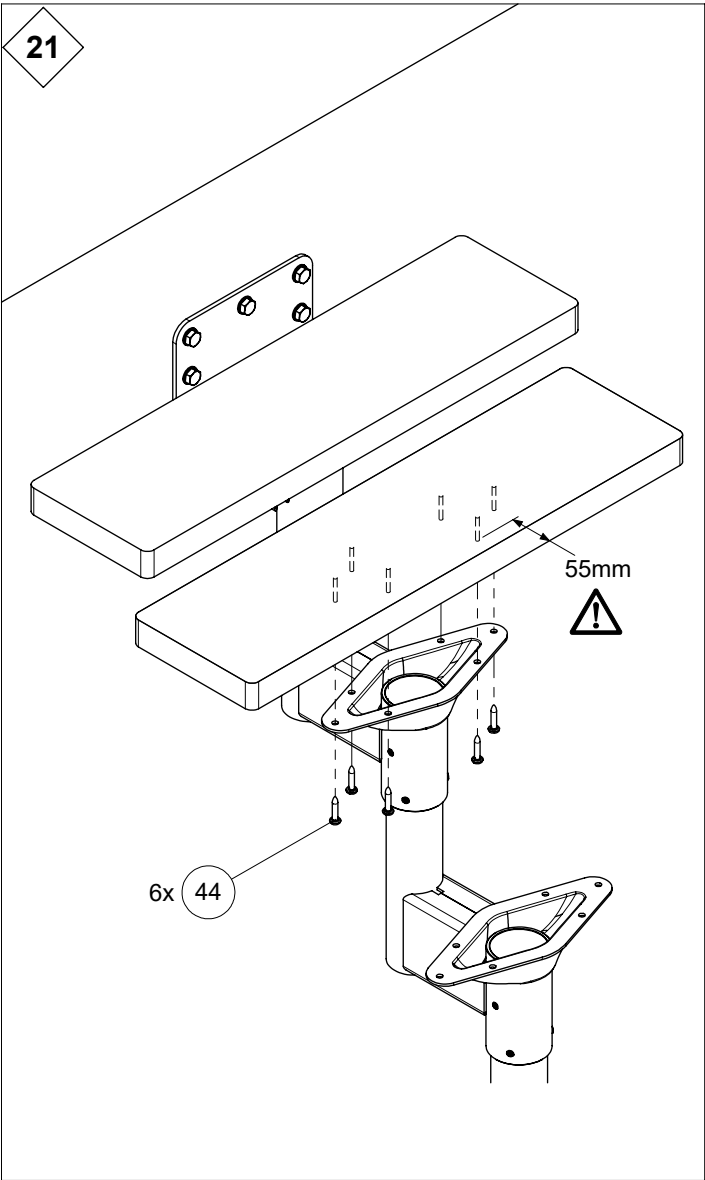
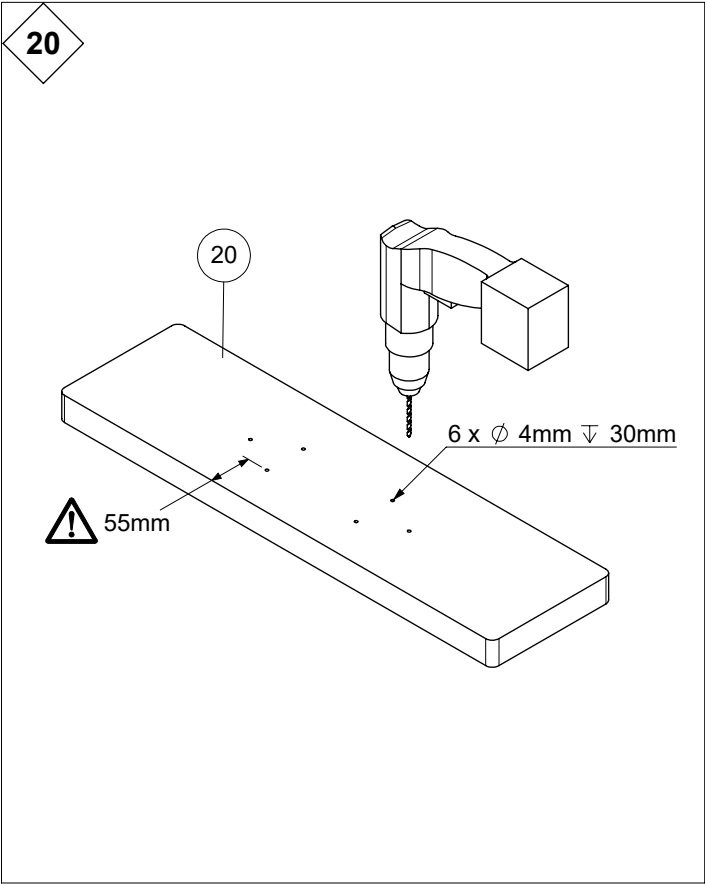


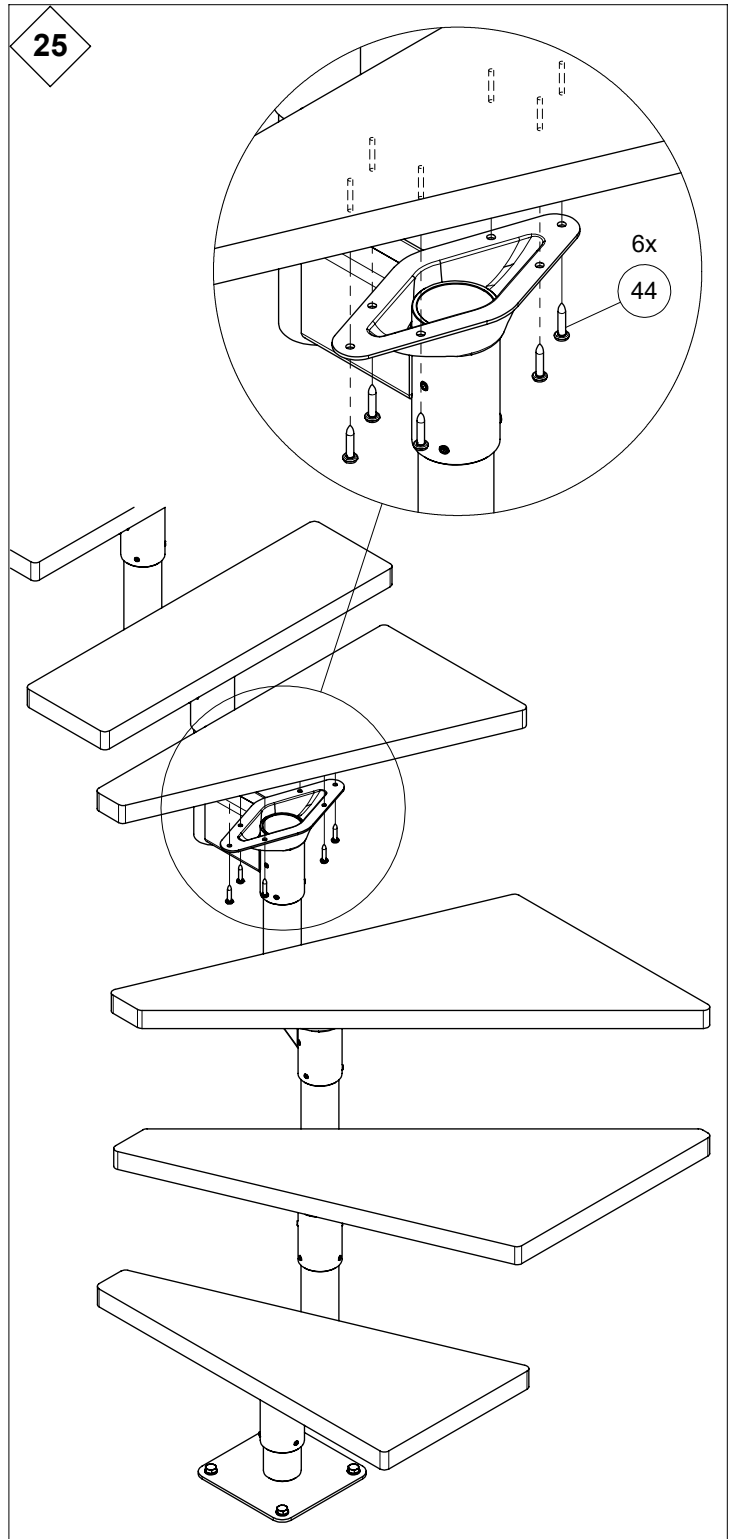
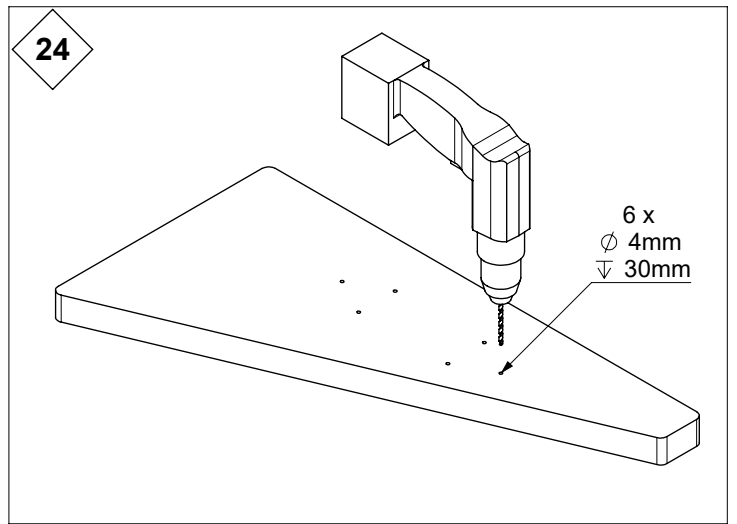
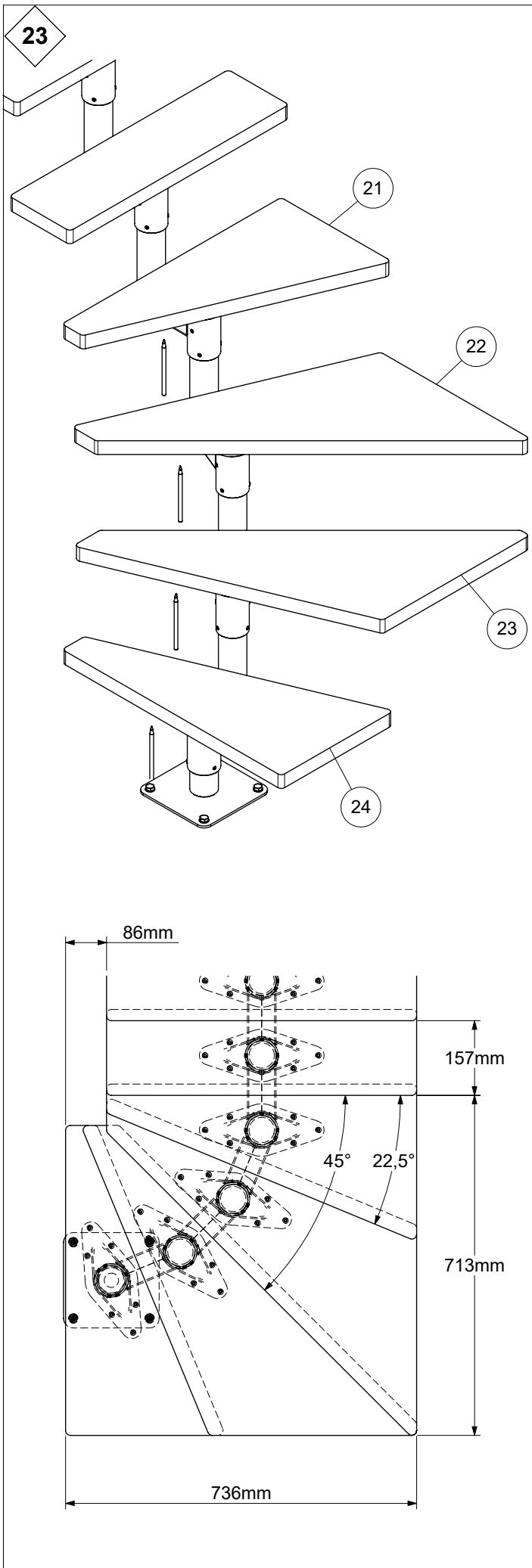
18



19

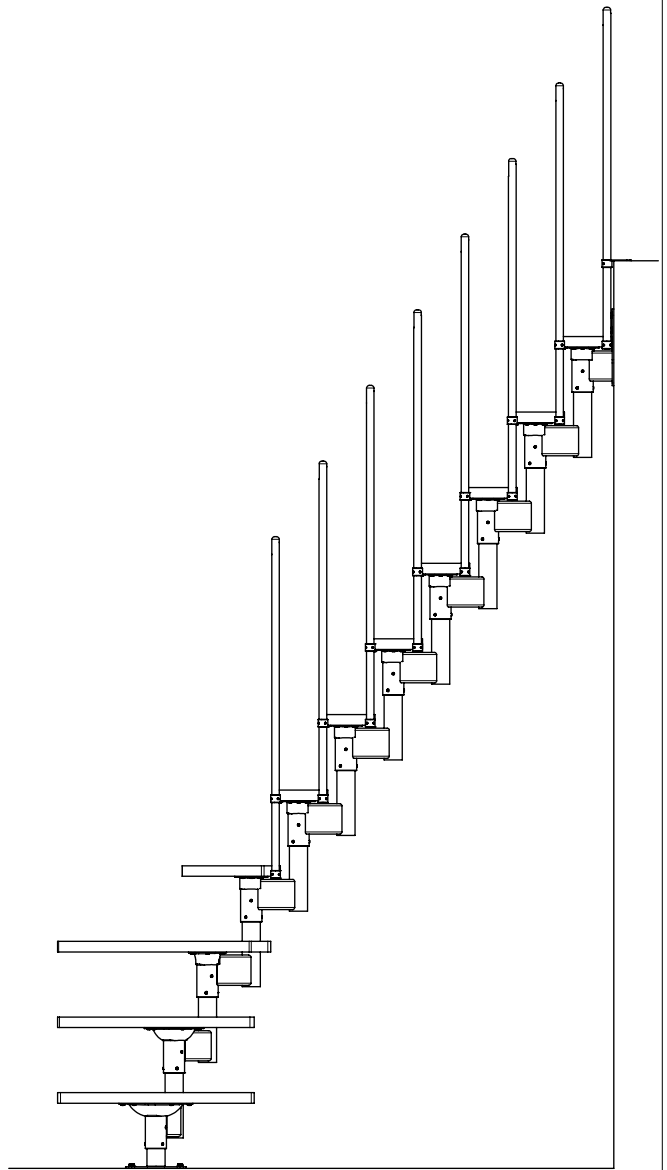
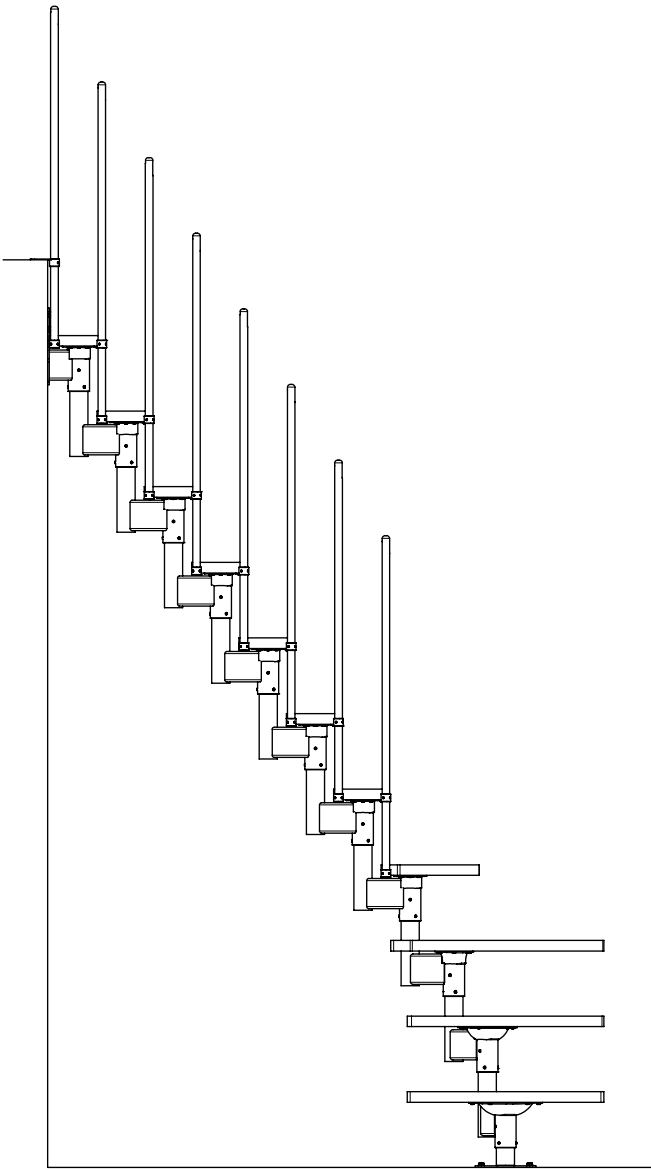




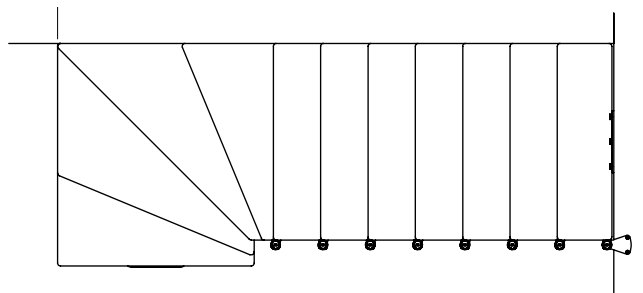
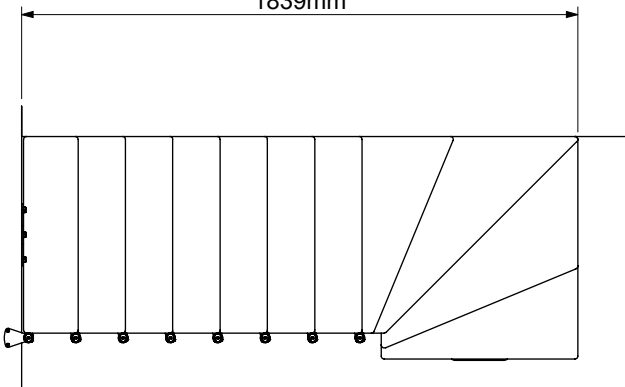


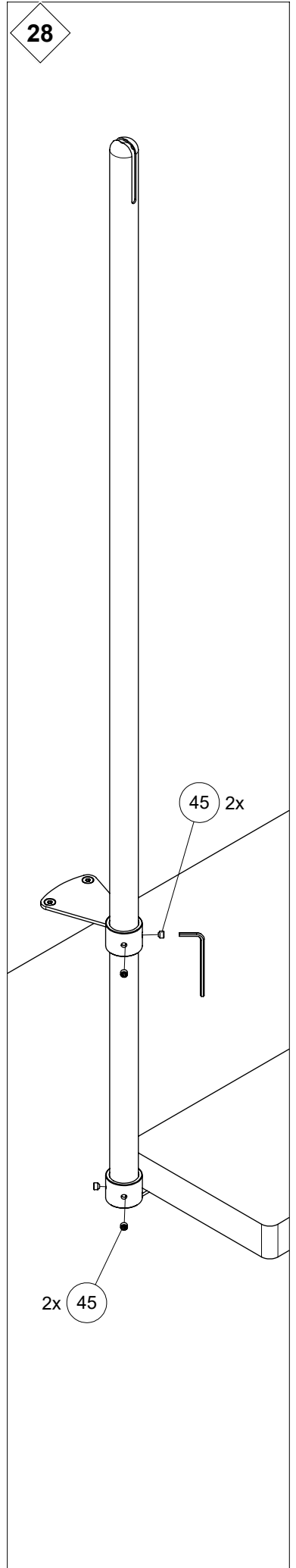
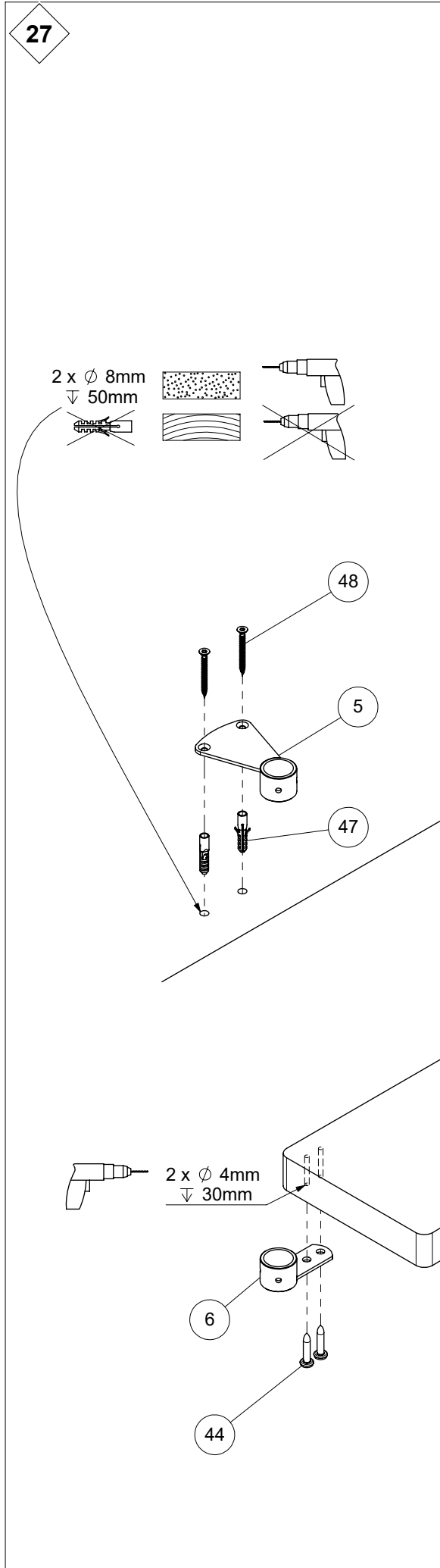
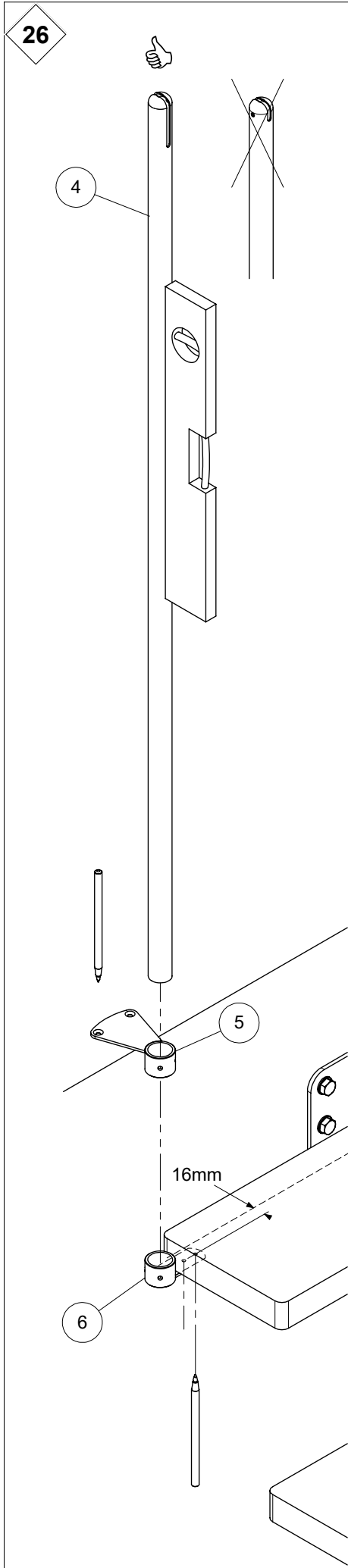
L

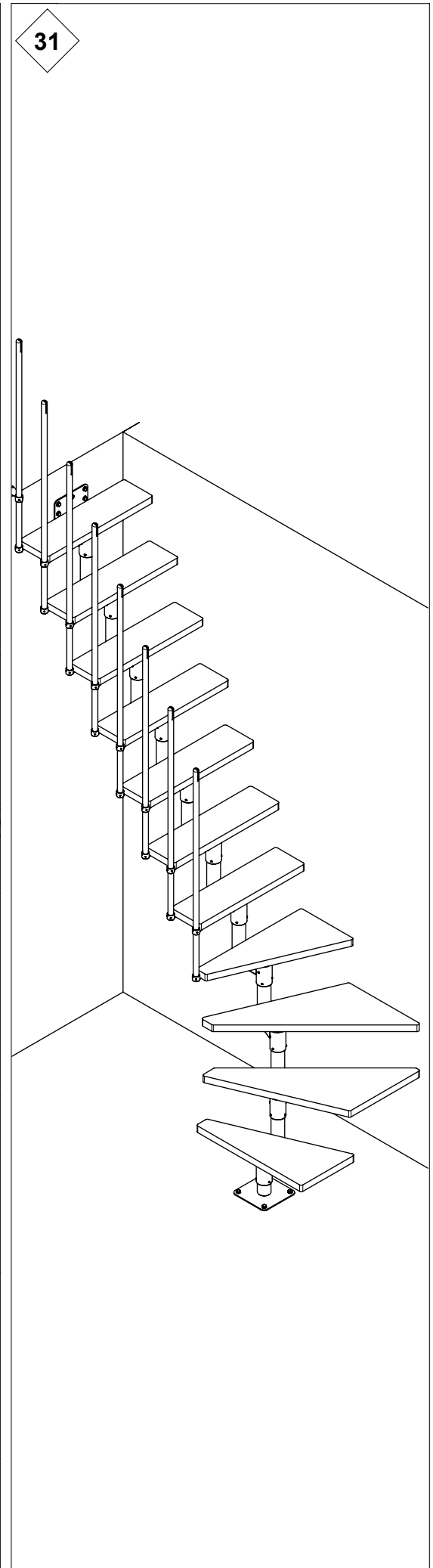
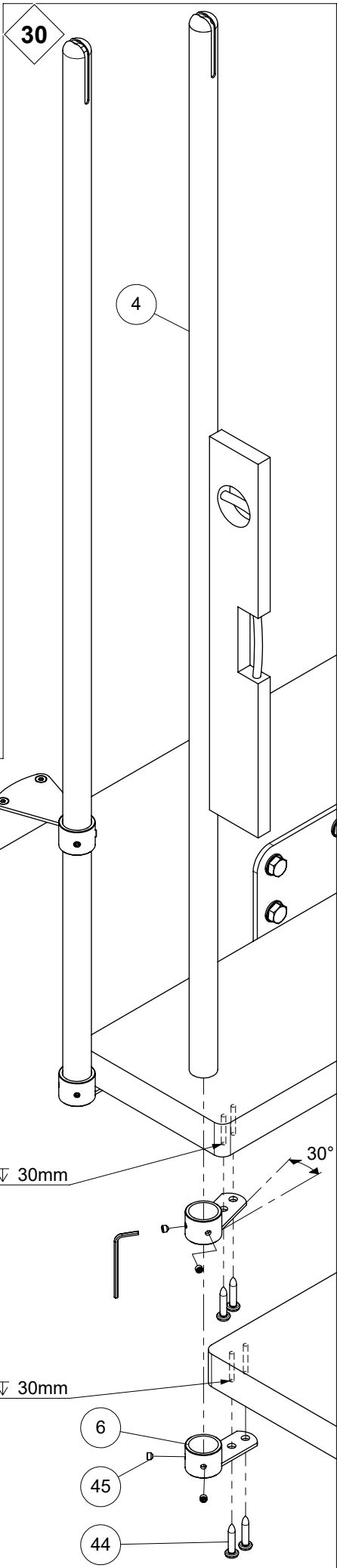
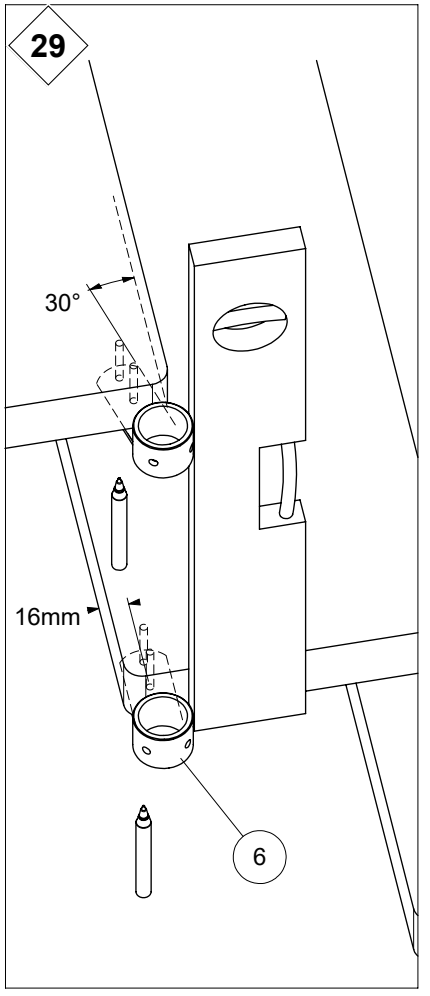
R

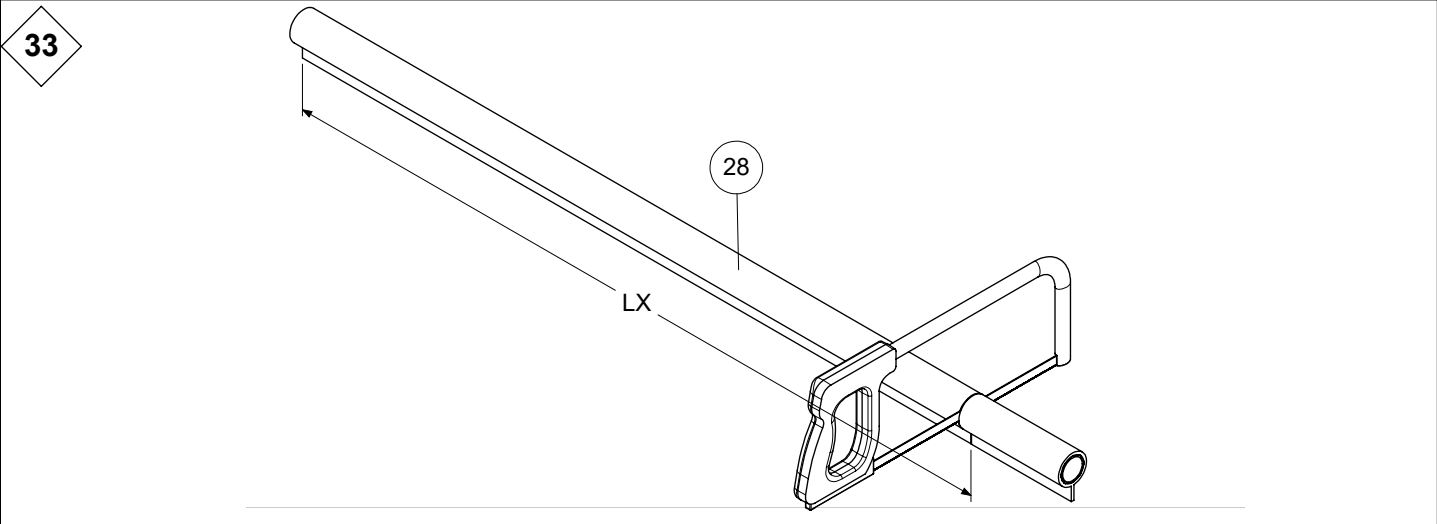
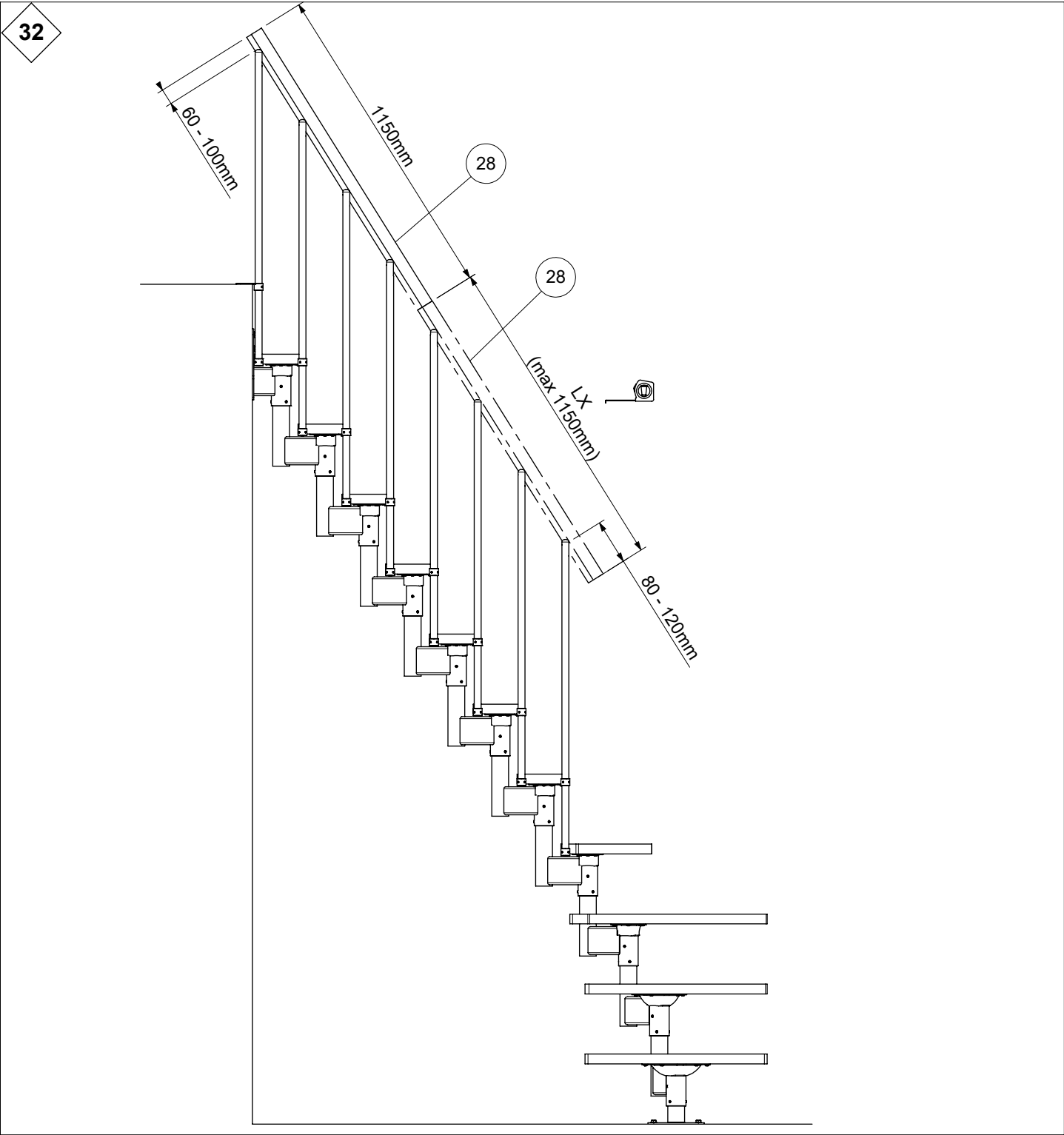


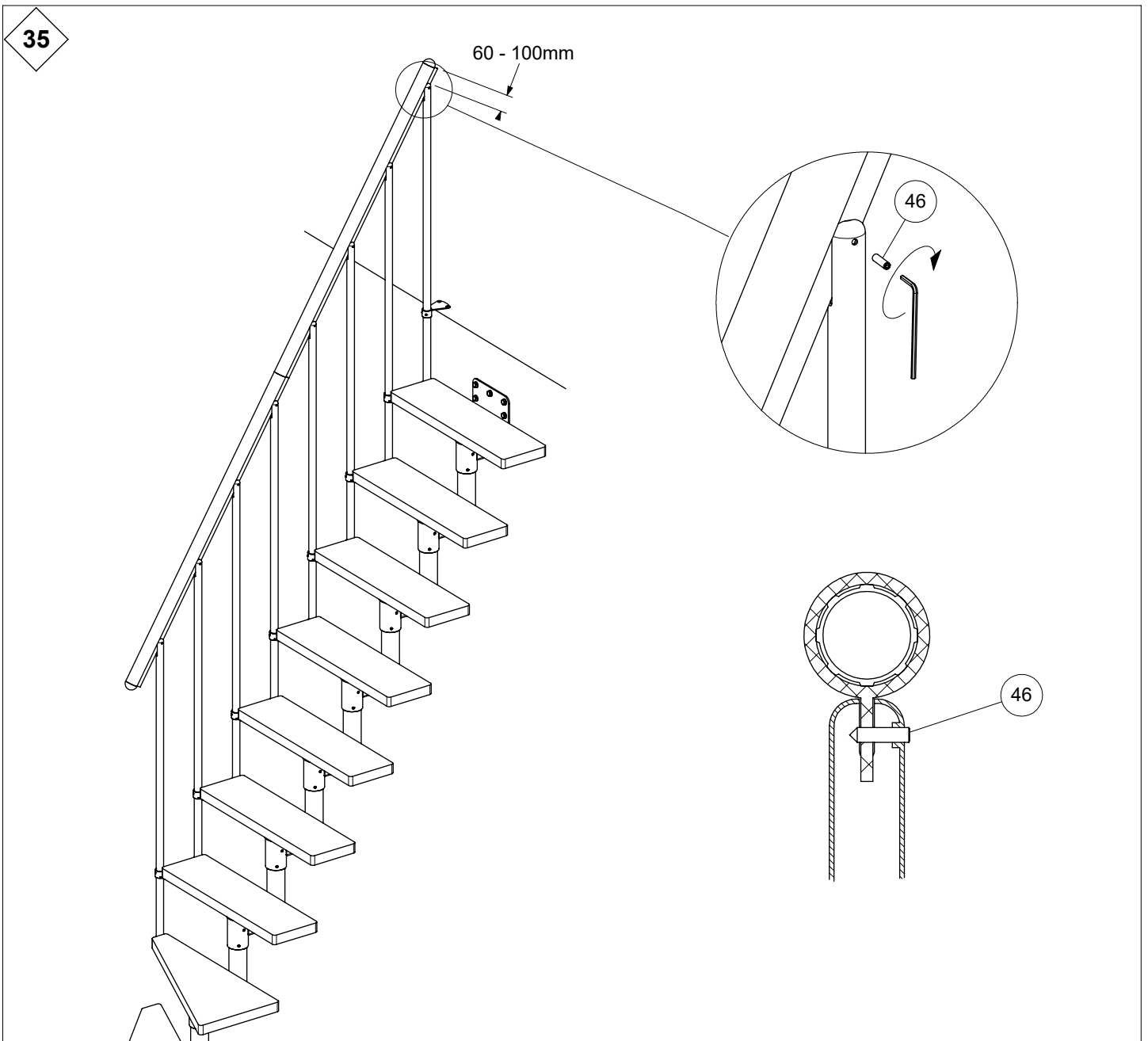
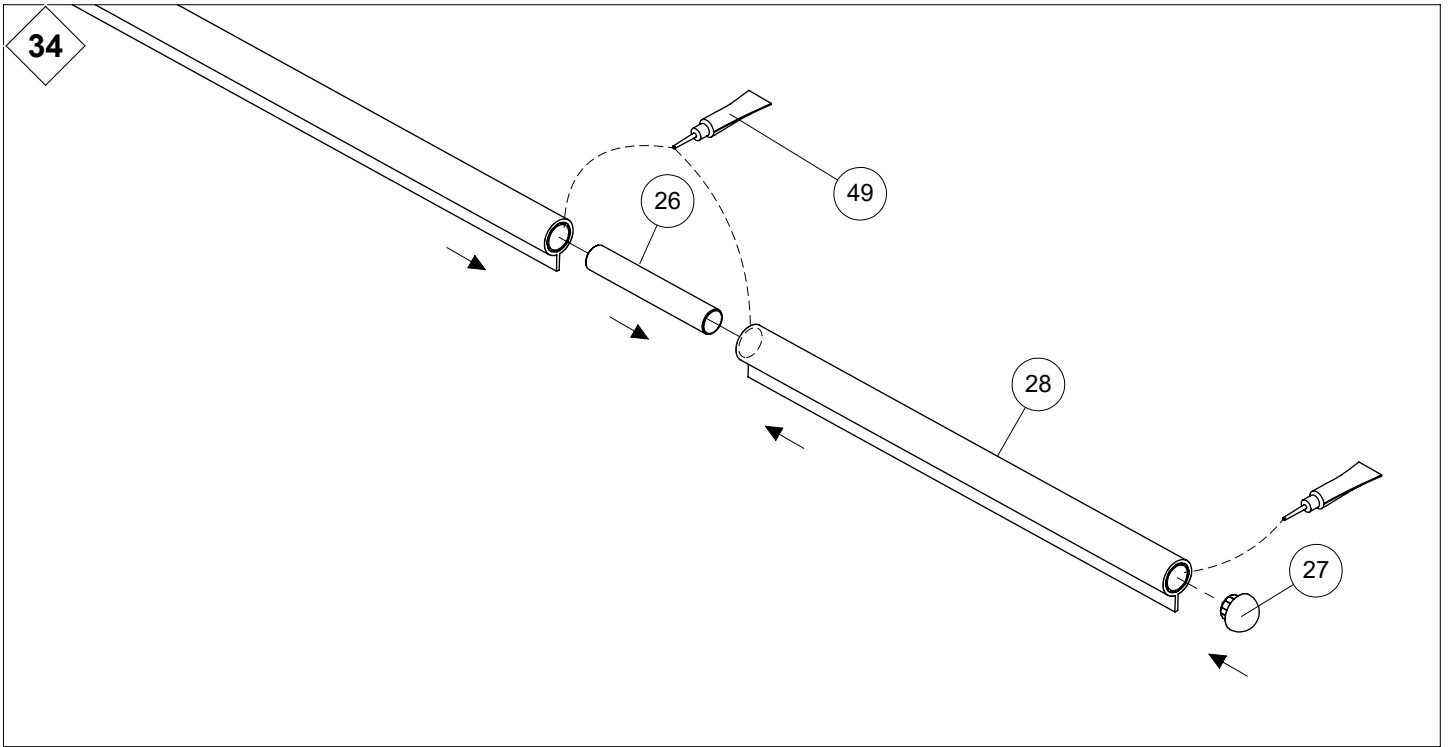
1839mm



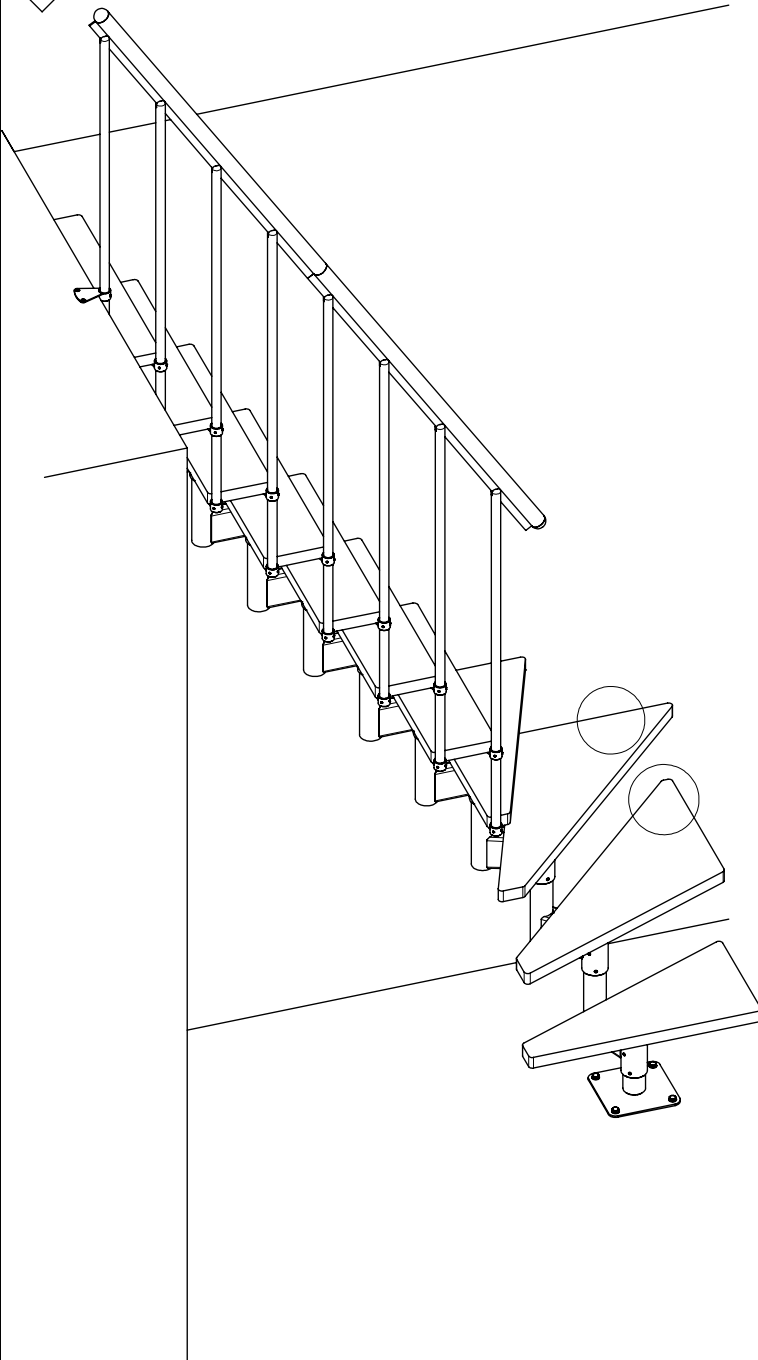




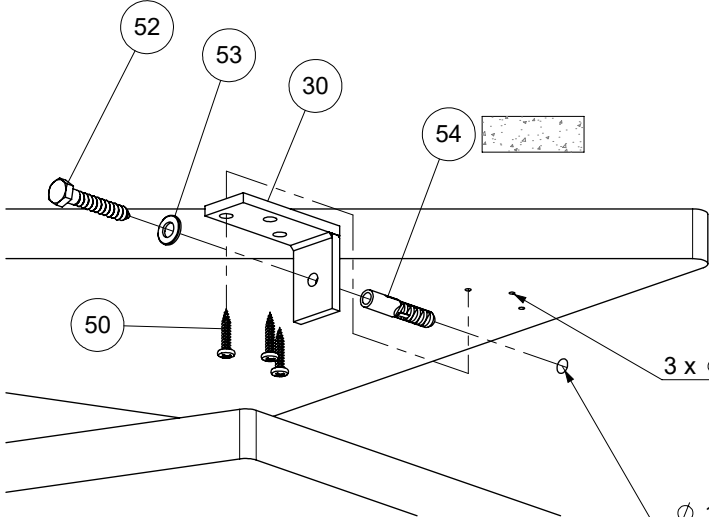
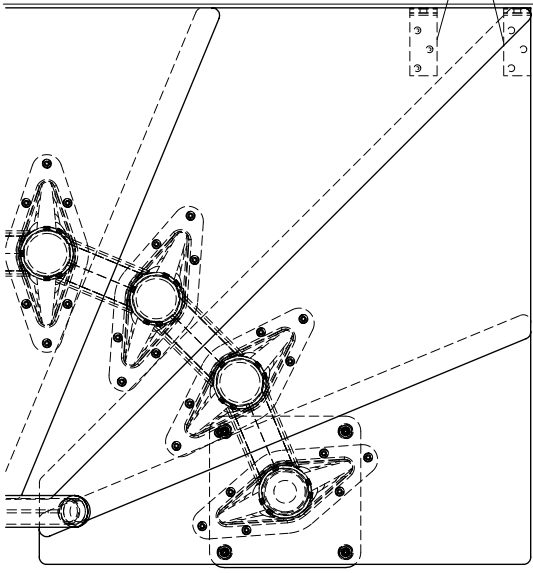




36



30



3 x \varnothing 4mm ∇ 25mm

\varnothing 10mm
 ∇ 70mm
 \varnothing 6mm
 ∇ 60mm

