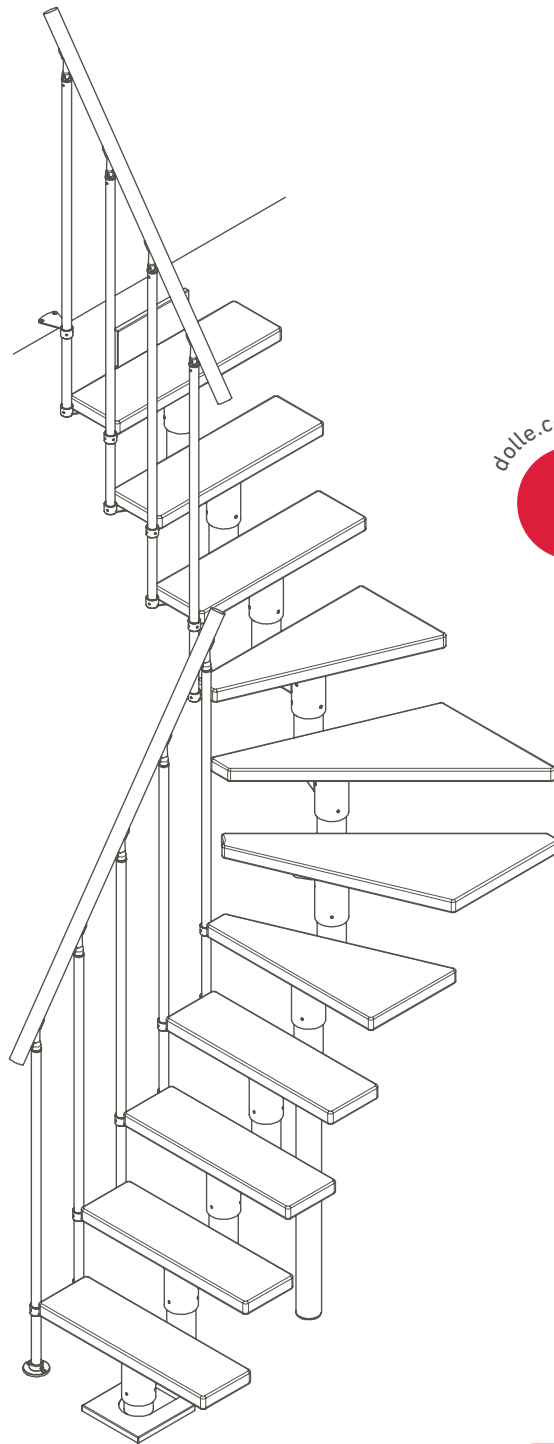


DOLLE®



dolle.com/dublin



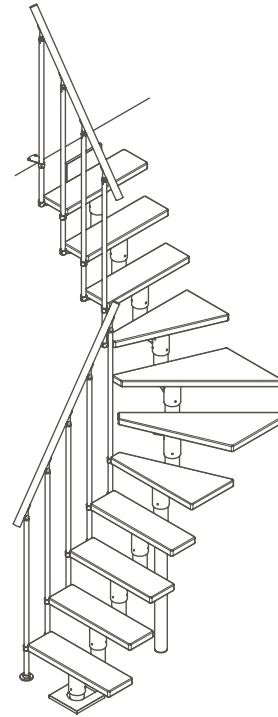
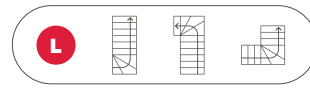
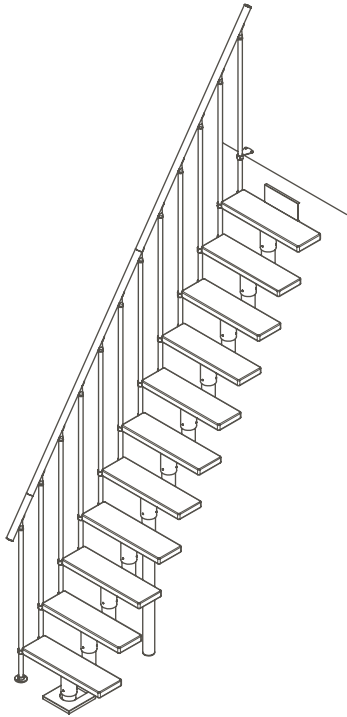
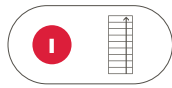
CLASSIC BANISTER

DUBLIN

**INSTRUCTION / MONTAGEANLEITUNG
INSTRUKTION / INSTRUCCIÒN / INSTRUKCJA**

SOGEM®

PART OF DOLLE GROUP



| | | | |
|--|--|--------------------|----------------------------|
| | Height floor-to-floor | Rise height | Number of treads |
| | Geschosshöhe | Steigungshöhe | Anzahl Stufen |
| | Hauteur sol-sol | Hauteur de marche | Nombre de marches |
| | Altura de suelo/suelo | Altura de peldaños | Numero de peldaños |
| | Altura do chão / chão | Altura do degrau | Número de etapas (degraus) |
| | Hoogte vloer/vloer | Hoogte trede | Aantal treden |
| | Etagehøjde | Stigningshøjde | Antal trin |
| | Golv till golv höjd | Stigningshöjd | Antal steg |
| | Wysokość kondygnacji od podłogi do podłogi | Wysokość stopnia | Ilość stopni |
| | Înălțime sol-sol | Înălțime treaptă | Număr trepte |
| | Výška patra podlaha-podlaha | Výška schodu | Počet nášlapů |
| | Высота от пола до пола | Шаг ступени | Кол-во ступеней |
| | Aukšto aukštis | Pakopus aukštis | Pakopų kiekis |
| | Stāva augstums | Pakāpiena augstums | Pakāpienu skaits |
| | Korruse kõrgus | Astme kõrgus | Astmete arv |
| | Višina nadstropja | Višina stopnice | Število stopnic |
| | Visina kata | Visina stepenice | Broj stepenica |
| | Výška podlažia | Výška stupňa | Počet stupňov |

1

x 1
 K2-1077230 RAL 7016
 K2-1077231 RAL 9005
 K2-1077232 Pearl grey

2

| | | | | | |
|----|----|----|----|----|----|
| 11 | 12 | 13 | 14 | 15 | |
| x | 8 | 9 | 10 | 11 | 12 |

x 1
 K2-1077235 RAL 7016
 K2-1077236 RAL 9005
 K2-1077237 Pearl grey

3

x 1
 K2-1077240 RAL 7016
 K2-1077241 RAL 9005
 K2-1077242 Pearl grey

4

x 1
 K2-1077245 RAL 7016
 K2-1077246 RAL 9005
 K2-1077247 Pearl grey

5

x 1
 K2-1077210 RAL 7016
 K2-1077241 RAL 9005
 K2-1077242 Pearl grey

6

| | | | | | |
|----|----|----|----|----|---|
| 11 | 12 | 13 | 14 | 15 | |
| x | 0 | 0 | 1 | 1 | 1 |

K1-1077280 RAL 7016
 K1-1077281 RAL 9005
 K1-1077282 Pearl grey

7

x 1
 K2-1077030 RAL 7016
 K2-1077031 RAL 9005
 K2-1077032 Pearl grey

8

| | | | | | | |
|----|----|----|----|----|----|----|
| 11 | 12 | 13 | 14 | 15 | | |
| I | 24 | 24 | 26 | 28 | 30 | |
| x | L | 24 | 24 | 24 | 24 | 24 |
| | U | 24 | 24 | 24 | 24 | 24 |

K2-1077025 RAL 7016
 K2-1077026 RAL 9005
 K2-1077027 Pearl grey

9

x 1
 K2-1077610 RAL 7016
 K2-1077611 RAL 9005
 K2-1077612 Pearl grey

10

| | | | | | | |
|----|----|----|----|----|----|----|
| 11 | 12 | 13 | 14 | 15 | | |
| I | 13 | 13 | 14 | 15 | 16 | |
| x | L | 13 | 13 | 13 | 13 | 13 |
| | U | 13 | 13 | 13 | 13 | 13 |

K2-1077195 RAL 7016
 K2-1077196 RAL 9005
 K2-1077197 Pearl grey

11

K1-1077290 RAL 7016
 K1-1077291 RAL 9005
 K1-1077292 Pearl grey

12

x 1
 K1-1077070 RAL 7016
 K1-1077071 RAL 9005
 K1-1077072 Pearl grey

13

x 1
 K1-1077175 RAL 7016
 K1-1077176 RAL 9005
 K1-1077177 Pearl grey

14

| | | | | | |
|----|----|----|----|----|----|
| 11 | 12 | 13 | 14 | 15 | |
| x | 10 | 11 | 12 | 13 | 14 |

K1-1077040 RAL 7016
 K1-1077041 RAL 9005
 K1-1077042 Pearl grey

15

| | | | | | | |
|----|----|----|----|----|----|----|
| 11 | 12 | 13 | 14 | 15 | | |
| I | 12 | 12 | 13 | 14 | 15 | |
| x | L | 12 | 12 | 12 | 12 | 12 |
| | U | 12 | 12 | 12 | 12 | 12 |

K1-1077045 RAL 7016
 K1-1077046 RAL 9005
 K1-1077047 Pearl grey

16

| | | | | | | |
|----|----|----|----|----|----|----|
| 11 | 12 | 13 | 14 | 15 | | |
| I | 12 | 12 | 13 | 14 | 15 | |
| x | L | 12 | 12 | 12 | 12 | 12 |
| | U | 12 | 12 | 12 | 12 | 12 |

K1-1077655 RAL 7016
 K1-1077656 RAL 9005
 K1-1077657 Pearl grey

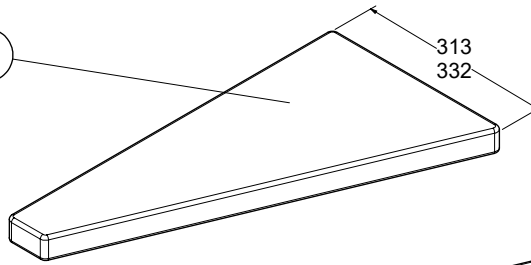
17

x 1
 K1-1077650 RAL 7016
 K1-1077651 RAL 9005
 K1-1077652 Pearl grey

| | | |
|---|---|---|
| | I | 0 |
| x | L | 1 |
| | U | 2 |

24

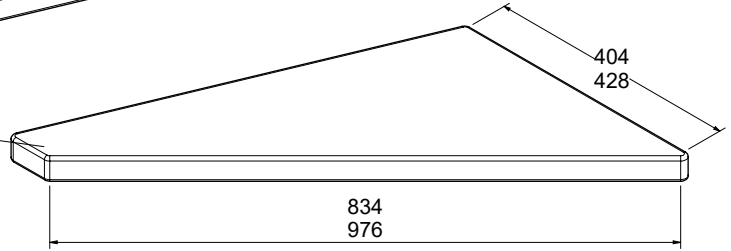
- M2-1078109 610mm Beech / Buche / Beuk / Hêtre / Bøg
- M2-1078119 610mm Oak / Eiche / Eik / Chêne / Eg
- M2-1078159 710mm Beech / Buche / Beuk / Hêtre / Bøg
- M2-1078169 710mm Oak / Eiche / Eik / Chêne / Eg



- M2-1078108 610mm Beech / Buche / Beuk / Hêtre / Bøg
- M2-1078118 610mm Oak / Eiche / Eik / Chêne / Eg
- M2-1078158 710mm Beech / Buche / Beuk / Hêtre / Bøg
- M2-1078168 710mm Oak / Eiche / Eik / Chêne / Eg

23

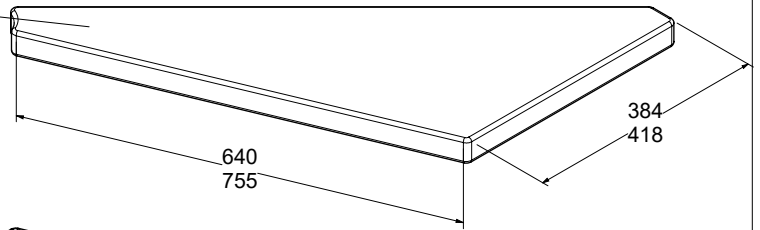
| | | |
|---|---|---|
| | I | 0 |
| x | L | 1 |
| | U | 2 |



- M2-1078107 610mm Beech / Buche / Beuk / Hêtre / Bøg
- M2-1078117 610mm Oak / Eiche / Eik / Chêne / Eg
- M2-1078157 710mm Beech / Buche / Beuk / Hêtre / Bøg
- M2-1078167 710mm Oak / Eiche / Eik / Chêne / Eg

22

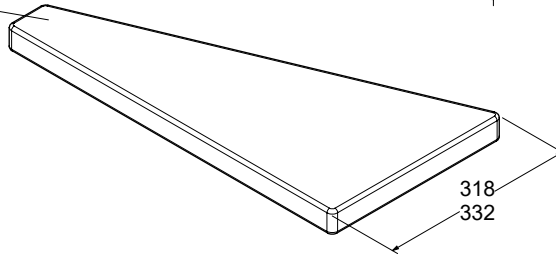
| | | |
|---|---|---|
| | I | 0 |
| x | L | 1 |
| | U | 2 |



- M2-1078106 610mm Beech / Buche / Beuk / Hêtre / Bøg
- M2-1078116 610mm Oak / Eiche / Eik / Chêne / Eg
- M2-1078156 710mm Beech / Buche / Beuk / Hêtre / Bøg
- M2-1078166 710mm Oak / Eiche / Eik / Chêne / Eg

21

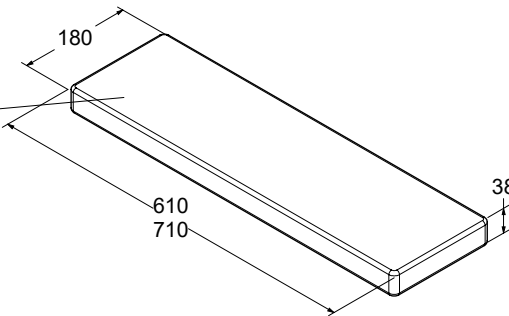
| | | |
|---|---|---|
| | I | 0 |
| x | L | 1 |
| | U | 2 |



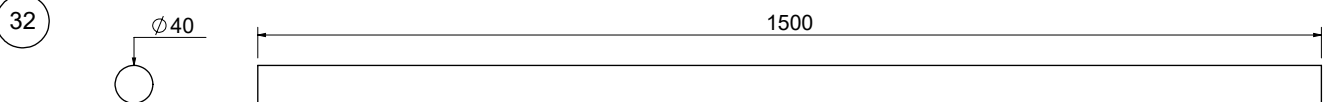
| | | | | | | |
|---|----|----|----|----|----|----|
| | 11 | 12 | 13 | 14 | 15 | |
| | I | 11 | 12 | 13 | 14 | 15 |
| x | L | 7 | 8 | 9 | 10 | 11 |
| | U | 3 | 4 | 5 | 6 | 7 |

20

- M2-1078101 610mm Beech / Buche / Beuk / Hêtre / Bøg
- M2-1078111 610mm Oak / Eiche / Eik / Chêne / Eg
- M2-1078151 710mm Beech / Buche / Beuk / Hêtre / Bøg
- M2-1078161 710mm Oak / Eiche / Eik / Chêne / Eg

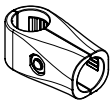
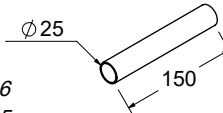
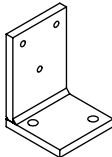
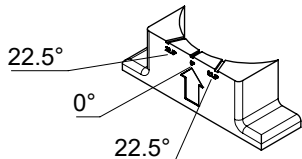
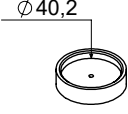


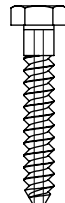


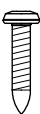





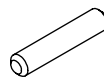



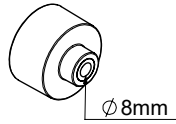

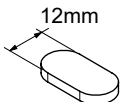
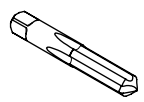



- 27
- x 6
- K1-1077150 RAL 7016
 - K1-1077151 RAL 9005
 - K1-1077152 Pearl grey



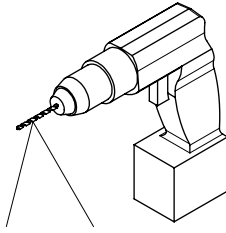
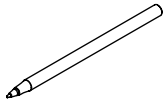
| | | | | | | |
|---|----|----|----|----|----|---|
| | 11 | 12 | 13 | 14 | 15 | |
| | I | 3 | 3 | 3 | 3 | 3 |
| x | L | 2 | 2 | 3 | 3 | 3 |
| | U | 2 | 2 | 2 | 2 | 2 |

- 1078905 Beech / Buche / Beuk / Hêtre / Bøg
- 1078915 Oak / Eiche / Eik / Chêne / Eg

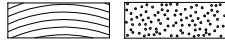
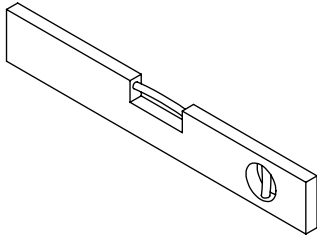
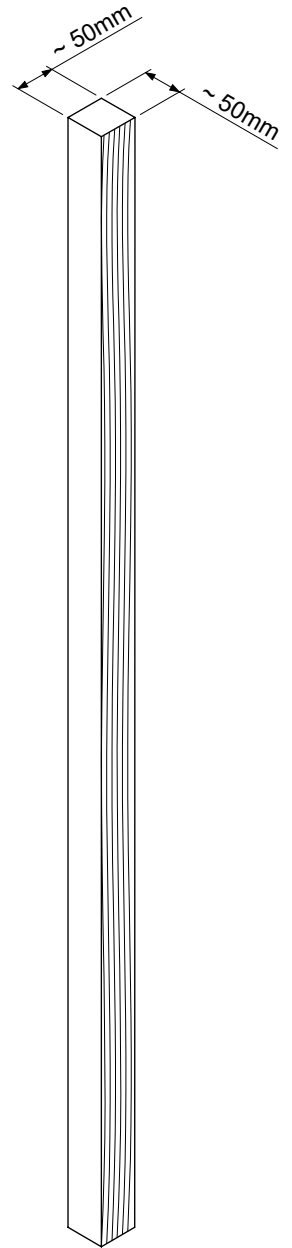
| | | | | | | | | | | | | | | | | | | | | | | | | | | | | | | | | | | | | | | | | | | | | | | | | | | | | | | | | | | | | | | | | | | | | | | | | | | | |
|---|---|--|--|-----|-----|----|----|-----|-----|-----|-----|-----|----|-----|-----|-----|-----|-----|---|-----|-----|-----|-----|-----|---|--|--|----|----|----|----|---|----|----|----|----|----|---|----|----|----|----|----|---|----|----|----|----|----|--|--|----|----|----|----|----|---|----|----|----|----|----|---|----|----|----|----|----|---|----|----|----|----|----|---|
| <p>34</p> <p>x 4 K2-1077170 RAL 7016 K2-1077171 RAL 9005 K2-1077172 Pearl grey K2-1077173 RAL 9016</p>  | <p>35</p> <p>x 2 K1-1077165 RAL 7016 K1-1077166 RAL 9005 K1-1077167 Pearl grey K1-1077168 RAL 9016</p>  | <p>36</p> <p>x 4 K1-1077295 RAL 7016 K1-1077296 RAL 9005 K1-1077297 Pearl grey K1-1077298 RAL 9016</p>  | | | | | | | | | | | | | | | | | | | | | | | | | | | | | | | | | | | | | | | | | | | | | | | | | | | | | | | | | | | | | | | | | | | | | | | | | |
| <p>37</p> <p>x 1 K1-08270</p>  | <p>38</p> <p>x 1 K1-01620</p>  | | | | | | | | | | | | | | | | | | | | | | | | | | | | | | | | | | | | | | | | | | | | | | | | | | | | | | | | | | | | | | | | | | | | | | | | | | |
| <p>40</p> <p>x 17 K3-08001 Ø12 x 60</p>  | <p>41</p> <p>x 17 K3-04001 Ø10</p>  | <p>42</p> <p>x 17 K3-06003 Ø10 x 60</p>  | <p>43</p> <table border="1" data-bbox="1157 638 1412 705"> <tr> <td></td> <td>11</td> <td>12</td> <td>13</td> <td>14</td> <td>15</td> </tr> <tr> <td>x</td> <td>61</td> <td>66</td> <td>71</td> <td>76</td> <td>81</td> </tr> </table> <p>K3-05003 M8 x 6</p>   | | 11 | 12 | 13 | 14 | 15 | x | 61 | 66 | 71 | 76 | 81 | | | | | | | | | | | | | | | | | | | | | | | | | | | | | | | | | | | | | | | | | | | | | | | | | | | | | | | | | | | | |
| | 11 | 12 | 13 | 14 | 15 | | | | | | | | | | | | | | | | | | | | | | | | | | | | | | | | | | | | | | | | | | | | | | | | | | | | | | | | | | | | | | | | | | | | | | |
| x | 61 | 66 | 71 | 76 | 81 | | | | | | | | | | | | | | | | | | | | | | | | | | | | | | | | | | | | | | | | | | | | | | | | | | | | | | | | | | | | | | | | | | | | | | |
| <p>44</p> <table border="1" data-bbox="79 817 359 929"> <tr> <td></td> <td>11</td> <td>12</td> <td>13</td> <td>14</td> <td>15</td> </tr> <tr> <td>I</td> <td>108</td> <td>114</td> <td>124</td> <td>134</td> <td>144</td> </tr> <tr> <td>L</td> <td>108</td> <td>114</td> <td>120</td> <td>126</td> <td>132</td> </tr> <tr> <td>U</td> <td>108</td> <td>114</td> <td>120</td> <td>126</td> <td>132</td> </tr> </table> <p>K3-06130 Ø6 x 30 TX30</p>  | | 11 | 12 | 13 | 14 | 15 | I | 108 | 114 | 124 | 134 | 144 | L | 108 | 114 | 120 | 126 | 132 | U | 108 | 114 | 120 | 126 | 132 | <p>45</p> <table border="1" data-bbox="438 817 702 929"> <tr> <td></td> <td>11</td> <td>12</td> <td>13</td> <td>14</td> <td>15</td> </tr> <tr> <td>I</td> <td>50</td> <td>50</td> <td>54</td> <td>58</td> <td>62</td> </tr> <tr> <td>L</td> <td>50</td> <td>50</td> <td>50</td> <td>50</td> <td>50</td> </tr> <tr> <td>U</td> <td>50</td> <td>50</td> <td>50</td> <td>50</td> <td>50</td> </tr> </table> <p>K3-05056 M6 x 5</p>  | | 11 | 12 | 13 | 14 | 15 | I | 50 | 50 | 54 | 58 | 62 | L | 50 | 50 | 50 | 50 | 50 | U | 50 | 50 | 50 | 50 | 50 | <p>46</p> <table border="1" data-bbox="798 817 1061 929"> <tr> <td></td> <td>11</td> <td>12</td> <td>13</td> <td>14</td> <td>15</td> </tr> <tr> <td>I</td> <td>13</td> <td>13</td> <td>14</td> <td>15</td> <td>16</td> </tr> <tr> <td>L</td> <td>13</td> <td>13</td> <td>13</td> <td>13</td> <td>13</td> </tr> <tr> <td>U</td> <td>13</td> <td>13</td> <td>13</td> <td>13</td> <td>13</td> </tr> </table> <p>K3-05002 M6 x 8</p>  | | 11 | 12 | 13 | 14 | 15 | I | 13 | 13 | 14 | 15 | 16 | L | 13 | 13 | 13 | 13 | 13 | U | 13 | 13 | 13 | 13 | 13 | <p>47</p> <p>x 8 R3-91415 Ø8 x 40</p>  |
| | 11 | 12 | 13 | 14 | 15 | | | | | | | | | | | | | | | | | | | | | | | | | | | | | | | | | | | | | | | | | | | | | | | | | | | | | | | | | | | | | | | | | | | | | | |
| I | 108 | 114 | 124 | 134 | 144 | | | | | | | | | | | | | | | | | | | | | | | | | | | | | | | | | | | | | | | | | | | | | | | | | | | | | | | | | | | | | | | | | | | | | | |
| L | 108 | 114 | 120 | 126 | 132 | | | | | | | | | | | | | | | | | | | | | | | | | | | | | | | | | | | | | | | | | | | | | | | | | | | | | | | | | | | | | | | | | | | | | | |
| U | 108 | 114 | 120 | 126 | 132 | | | | | | | | | | | | | | | | | | | | | | | | | | | | | | | | | | | | | | | | | | | | | | | | | | | | | | | | | | | | | | | | | | | | | | |
| | 11 | 12 | 13 | 14 | 15 | | | | | | | | | | | | | | | | | | | | | | | | | | | | | | | | | | | | | | | | | | | | | | | | | | | | | | | | | | | | | | | | | | | | | | |
| I | 50 | 50 | 54 | 58 | 62 | | | | | | | | | | | | | | | | | | | | | | | | | | | | | | | | | | | | | | | | | | | | | | | | | | | | | | | | | | | | | | | | | | | | | | |
| L | 50 | 50 | 50 | 50 | 50 | | | | | | | | | | | | | | | | | | | | | | | | | | | | | | | | | | | | | | | | | | | | | | | | | | | | | | | | | | | | | | | | | | | | | | |
| U | 50 | 50 | 50 | 50 | 50 | | | | | | | | | | | | | | | | | | | | | | | | | | | | | | | | | | | | | | | | | | | | | | | | | | | | | | | | | | | | | | | | | | | | | | |
| | 11 | 12 | 13 | 14 | 15 | | | | | | | | | | | | | | | | | | | | | | | | | | | | | | | | | | | | | | | | | | | | | | | | | | | | | | | | | | | | | | | | | | | | | | |
| I | 13 | 13 | 14 | 15 | 16 | | | | | | | | | | | | | | | | | | | | | | | | | | | | | | | | | | | | | | | | | | | | | | | | | | | | | | | | | | | | | | | | | | | | | | |
| L | 13 | 13 | 13 | 13 | 13 | | | | | | | | | | | | | | | | | | | | | | | | | | | | | | | | | | | | | | | | | | | | | | | | | | | | | | | | | | | | | | | | | | | | | | |
| U | 13 | 13 | 13 | 13 | 13 | | | | | | | | | | | | | | | | | | | | | | | | | | | | | | | | | | | | | | | | | | | | | | | | | | | | | | | | | | | | | | | | | | | | | | |
| <p>48</p> <table border="1" data-bbox="79 1041 343 1153"> <tr> <td></td> <td>11</td> <td>12</td> <td>13</td> <td>14</td> <td>15</td> </tr> <tr> <td>I</td> <td>13</td> <td>13</td> <td>14</td> <td>15</td> <td>16</td> </tr> <tr> <td>L</td> <td>13</td> <td>13</td> <td>13</td> <td>13</td> <td>13</td> </tr> <tr> <td>U</td> <td>13</td> <td>13</td> <td>13</td> <td>13</td> <td>13</td> </tr> </table> <p>K3-06008 Ø5 x 25 PZ2</p>  | | 11 | 12 | 13 | 14 | 15 | I | 13 | 13 | 14 | 15 | 16 | L | 13 | 13 | 13 | 13 | 13 | U | 13 | 13 | 13 | 13 | 13 | <p>49</p> <p>x 1 K3-90001</p> <p>Super glue</p>  | <p>50</p> <p>x 1 K1-01810</p>  | <p>51</p> <p>x 2 K3-06022 Ø5 x 35 TX25</p>  | | | | | | | | | | | | | | | | | | | | | | | | | | | | | | | | | | | | | | | | | | | | | | | | |
| | 11 | 12 | 13 | 14 | 15 | | | | | | | | | | | | | | | | | | | | | | | | | | | | | | | | | | | | | | | | | | | | | | | | | | | | | | | | | | | | | | | | | | | | | | |
| I | 13 | 13 | 14 | 15 | 16 | | | | | | | | | | | | | | | | | | | | | | | | | | | | | | | | | | | | | | | | | | | | | | | | | | | | | | | | | | | | | | | | | | | | | | |
| L | 13 | 13 | 13 | 13 | 13 | | | | | | | | | | | | | | | | | | | | | | | | | | | | | | | | | | | | | | | | | | | | | | | | | | | | | | | | | | | | | | | | | | | | | | |
| U | 13 | 13 | 13 | 13 | 13 | | | | | | | | | | | | | | | | | | | | | | | | | | | | | | | | | | | | | | | | | | | | | | | | | | | | | | | | | | | | | | | | | | | | | | |
| <p>55</p> <p>x 1 K3-10010 M8</p>  | <p>56</p> <p>x 2 K3-08006 Ø6 x 40</p>  | <p>58</p> <p>x 8 R3-20590</p>  | | | | | | | | | | | | | | | | | | | | | | | | | | | | | | | | | | | | | | | | | | | | | | | | | | | | | | | | | | | | | | | | | | | | | | | | | |
| <p>59</p> <p>x 1 K3-90005</p> <p>Wood glue Holzkleber Colle à bois Trælim</p>  | <p>60</p> <p>x 4 K3-08002 Ø8 x 40</p>  | <p>61</p> <p>x 12 R1-63267 Ø6 x 35 TX30</p>  | <p>62</p> <p>x 4 K3-06027 Ø5 x 50 TX25</p>  | | | | | | | | | | | | | | | | | | | | | | | | | | | | | | | | | | | | | | | | | | | | | | | | | | | | | | | | | | | | | | | | | | | | | | | | |



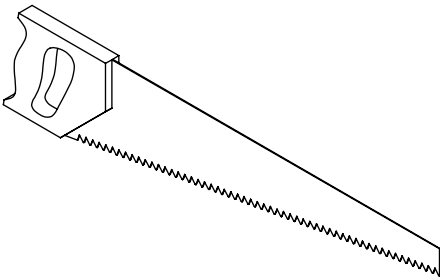
Tools not included!
Werkzeuge nicht enthalten!
Gereedschap niet inbegrepen!
Outils non inclus!
Værktøj ikke inkluderet!



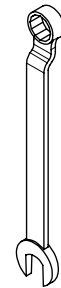
TX25
TX30
PZ2



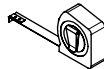
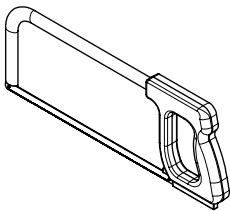
- ∅ 3mm ∅ 6mm
- ∅ 4mm ∅ 12mm
- ∅ 6mm
- ∅ 8mm
- ∅ 10mm



- 3mm
- 4mm
- 6mm



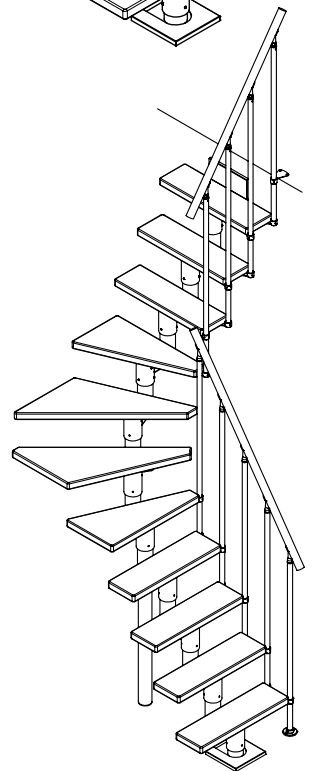
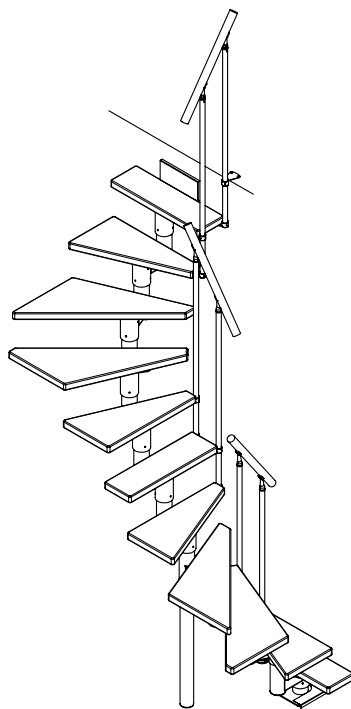
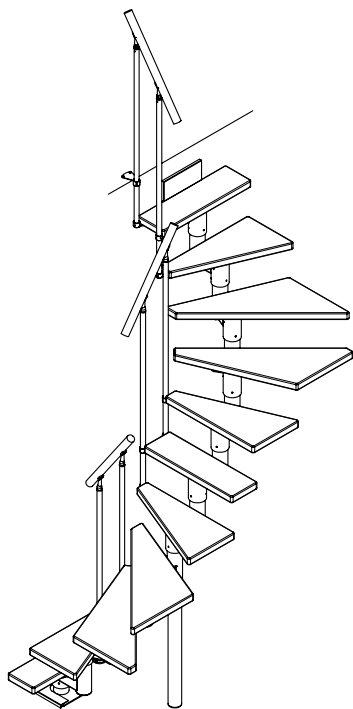
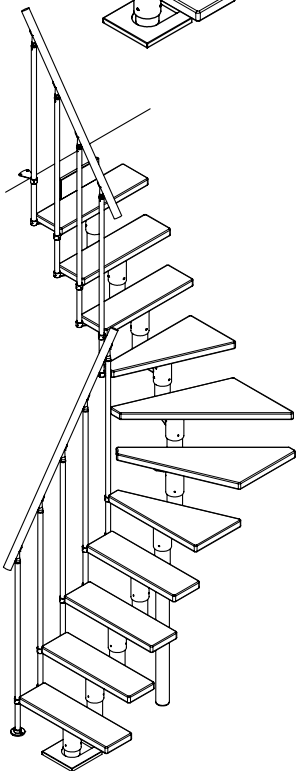
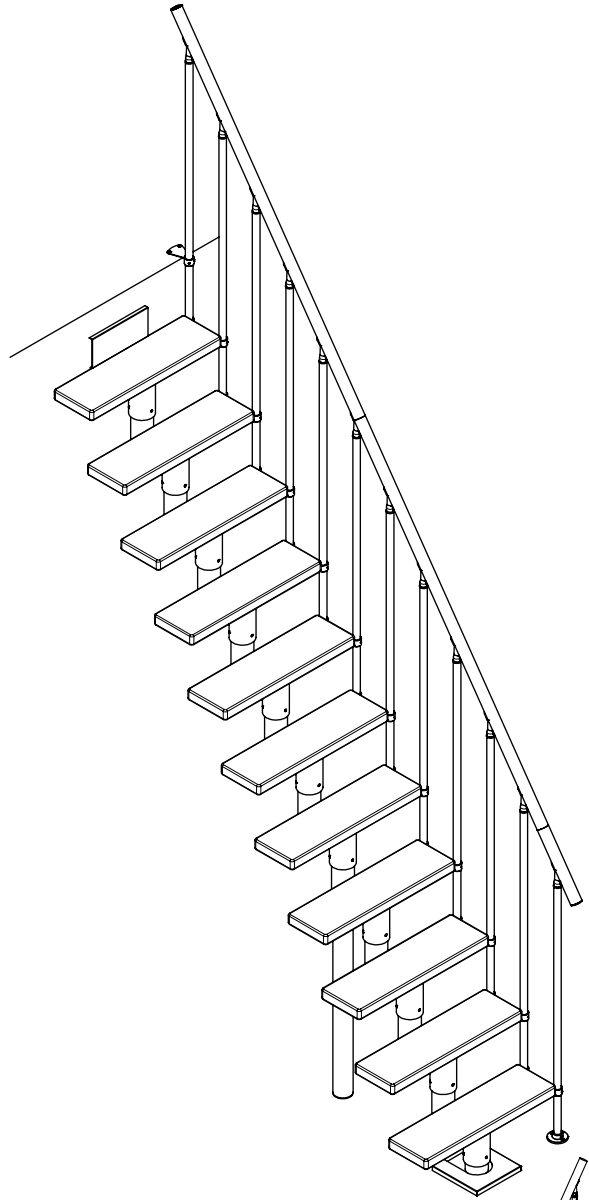
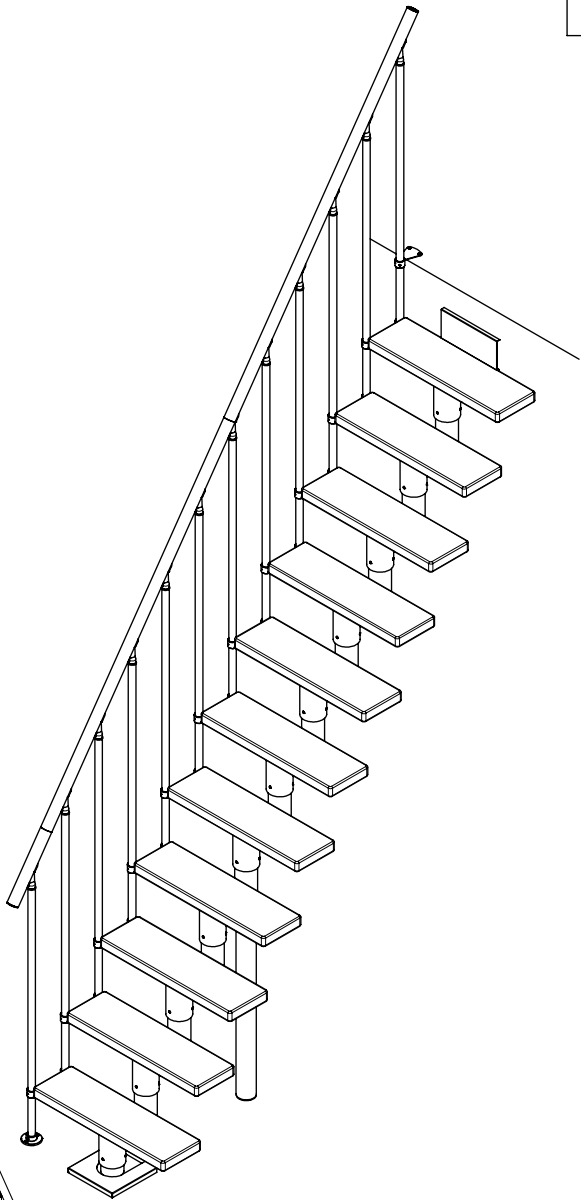
16mm

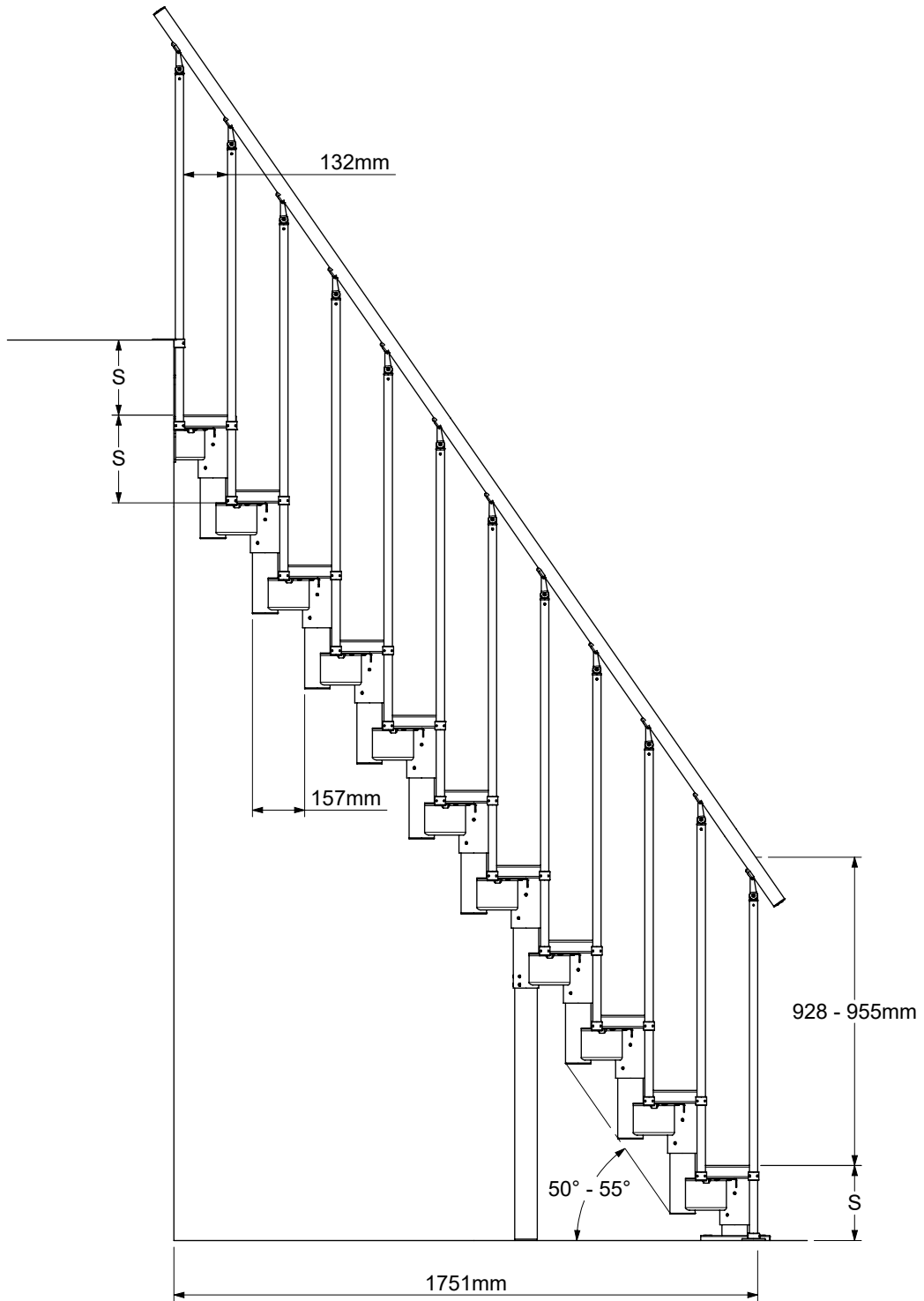




L

R





$$S = \frac{H}{T + 1}$$

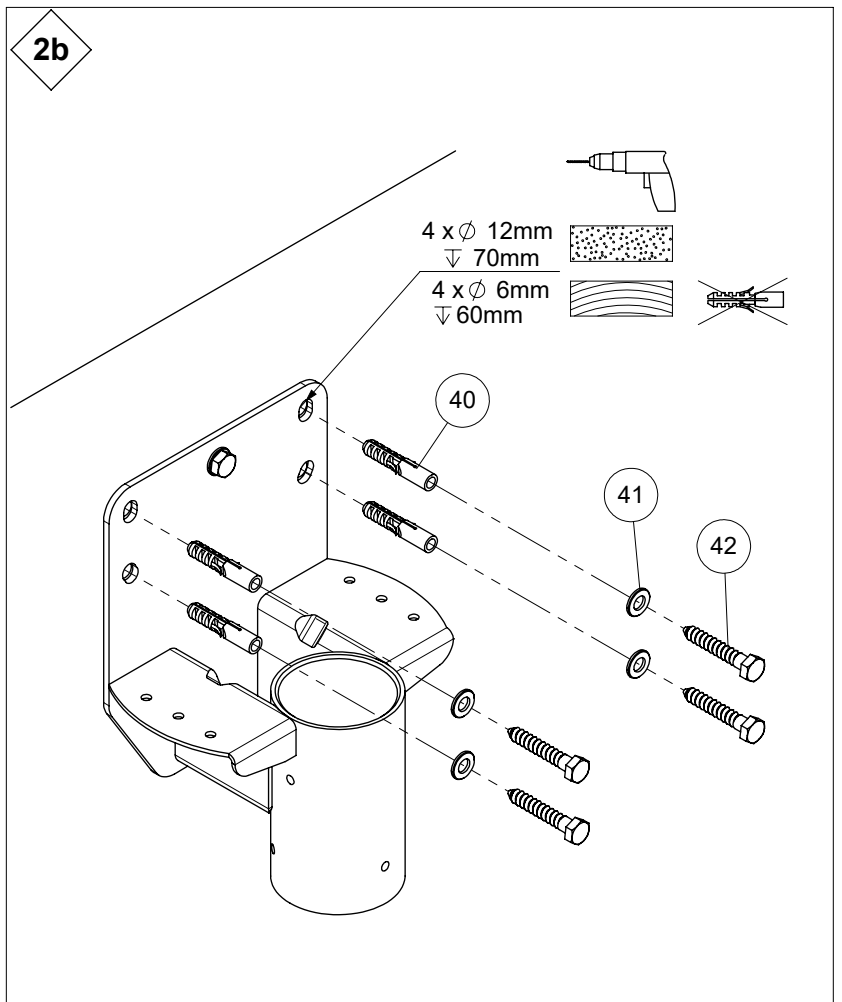
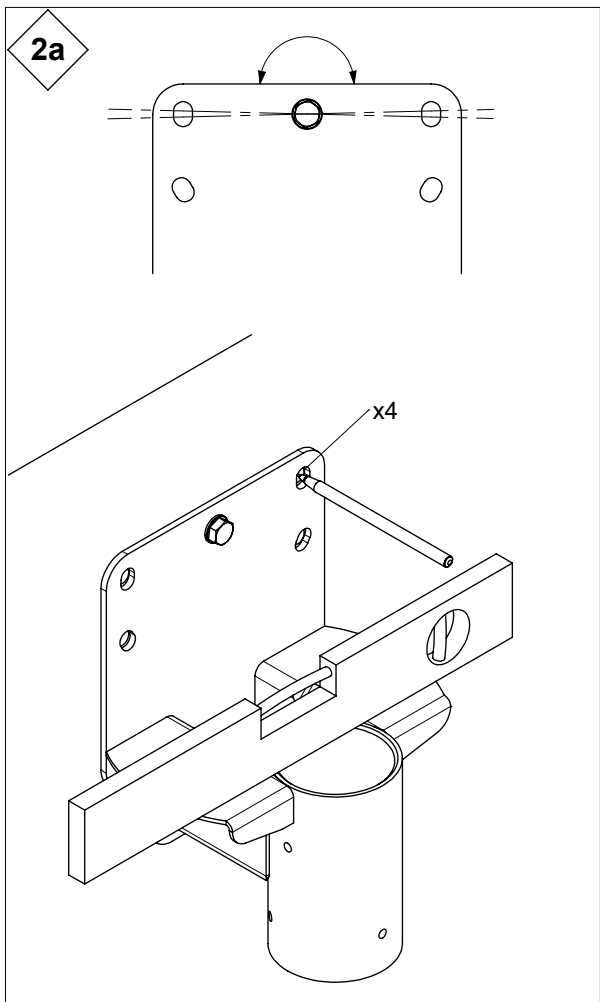
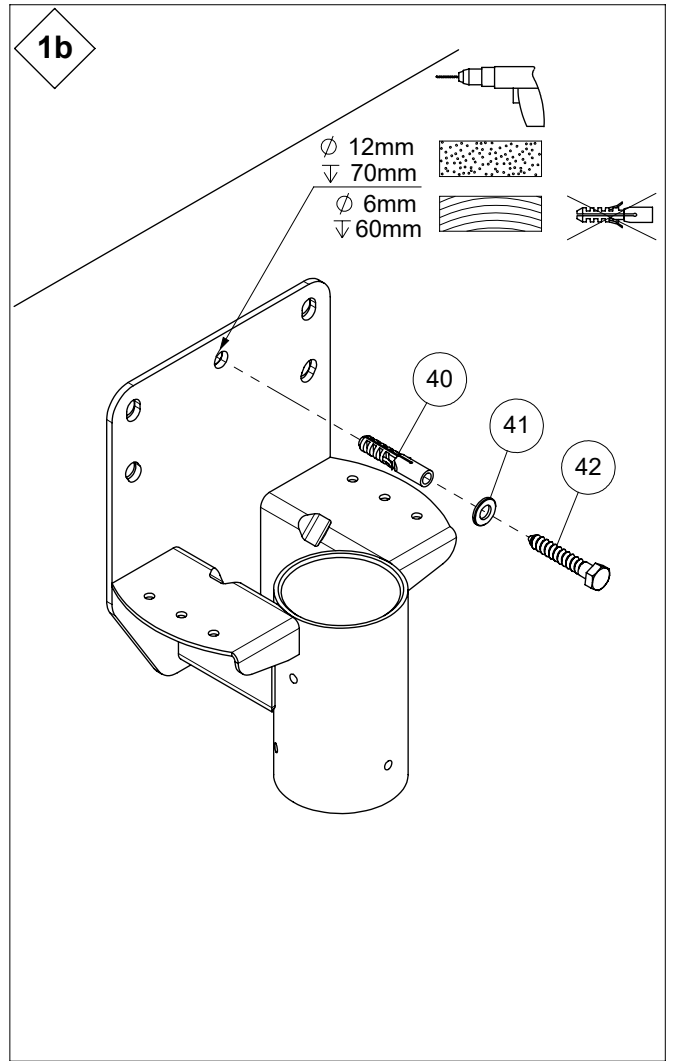
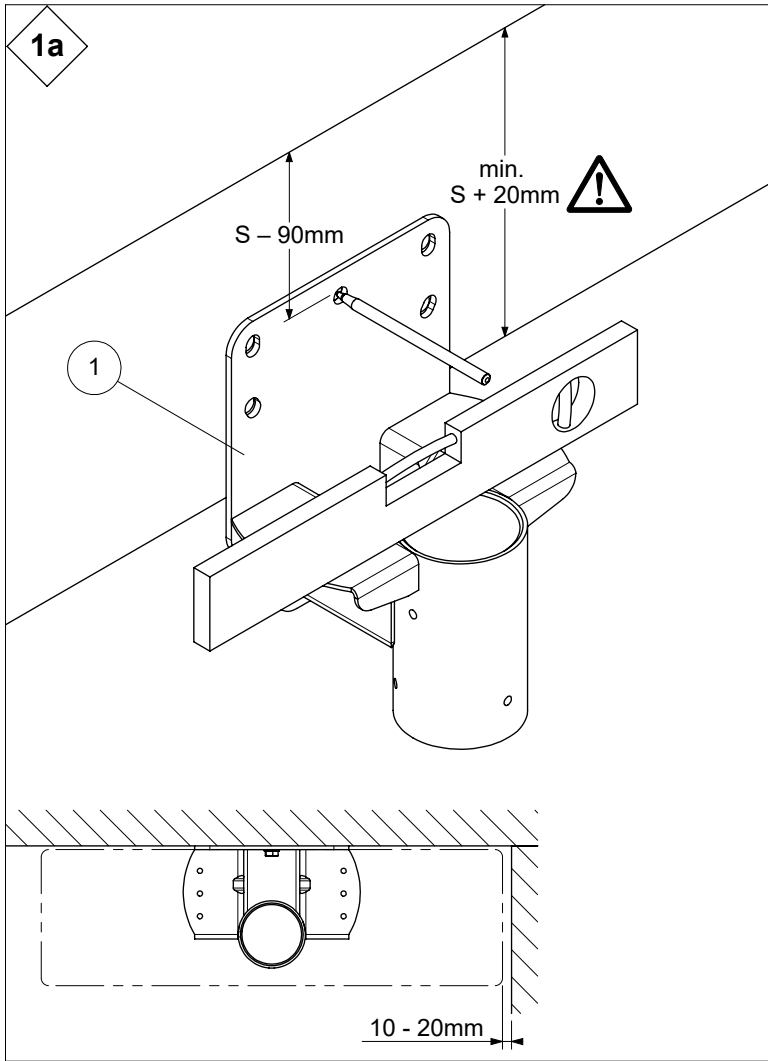
| min S | max S |
|--------|--------|
| 185 mm | 225 mm |

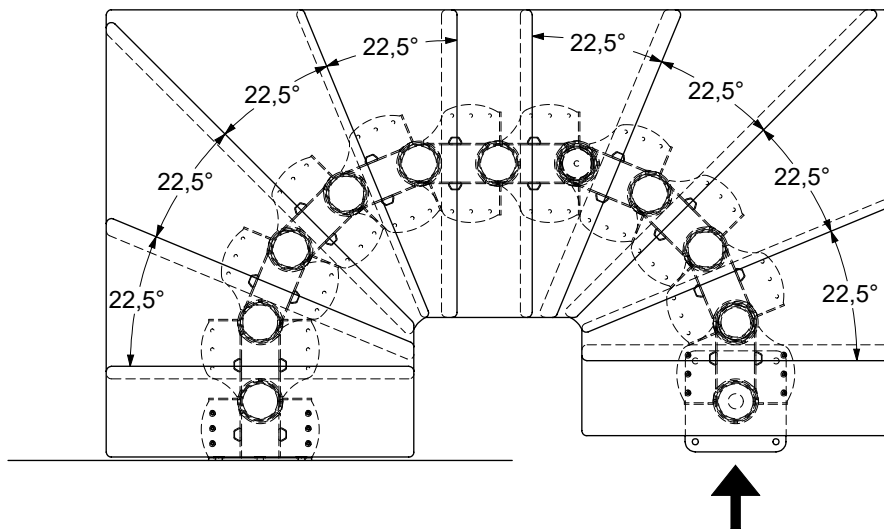
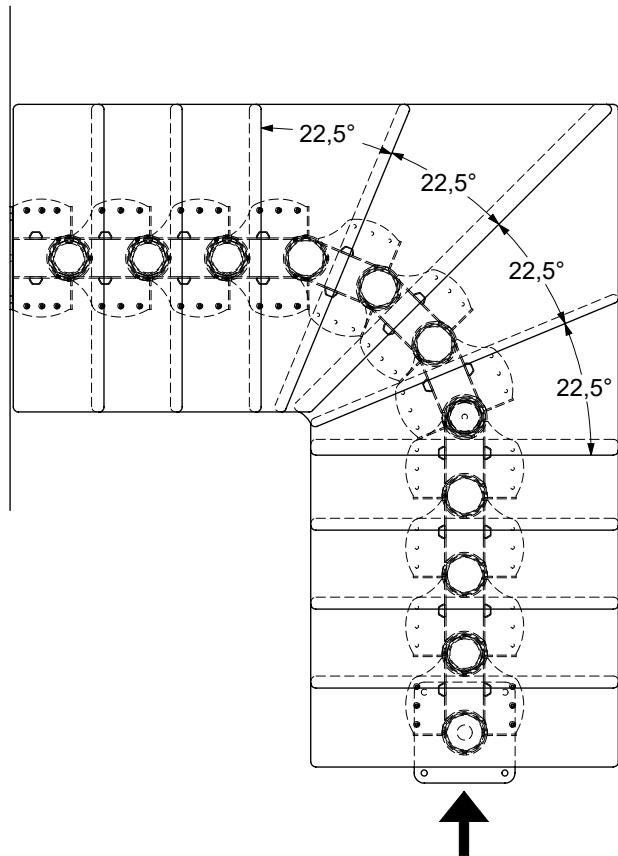
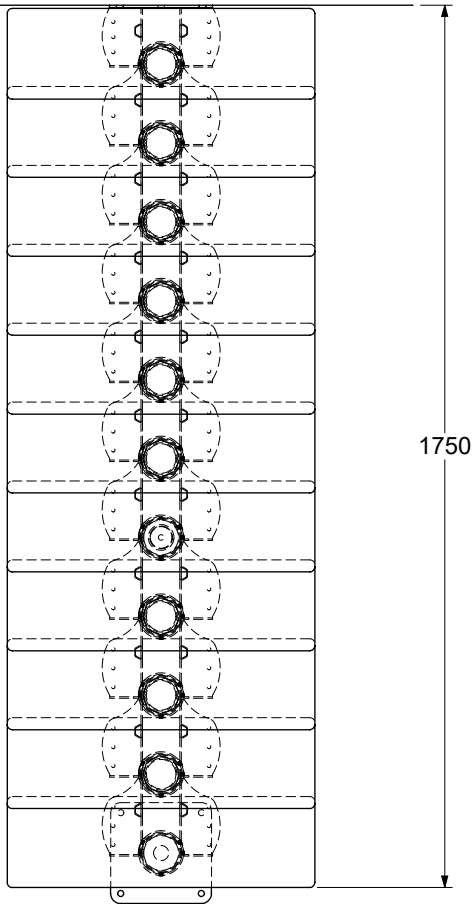
Example / Beispiel / Voorbeeld / Example / Eksempel:
H: 2400 mm, T: 11 st(pcs)

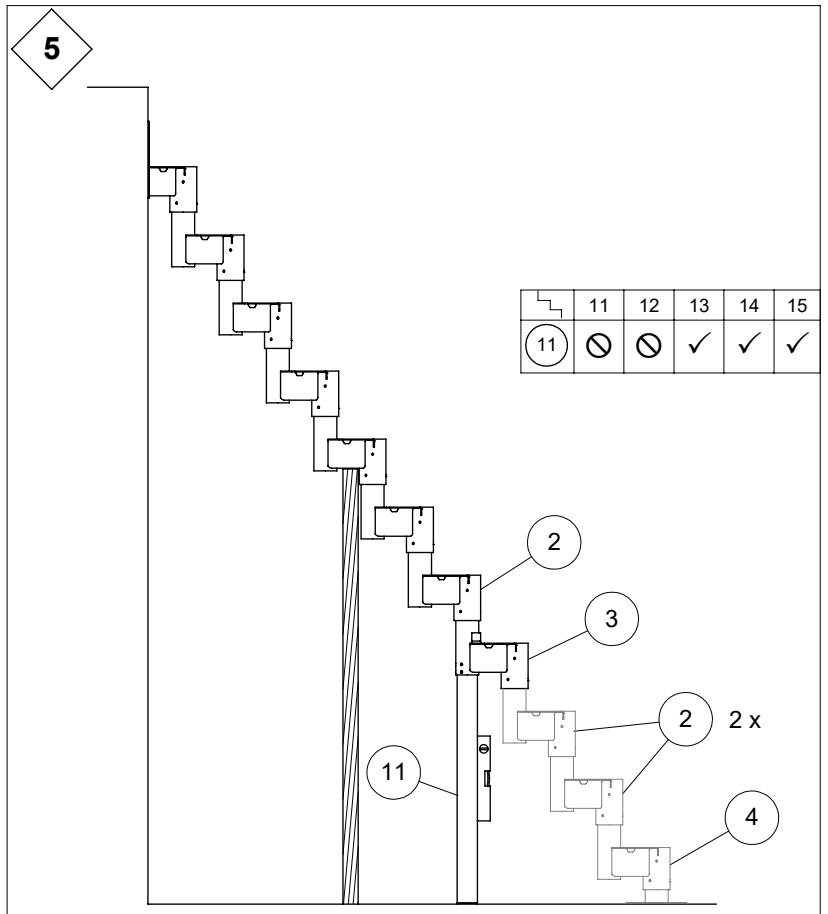
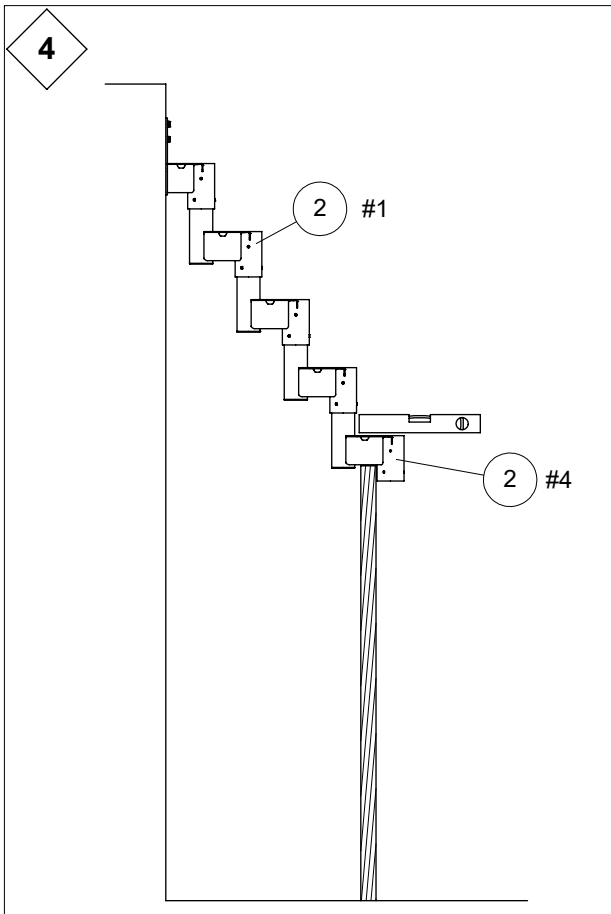
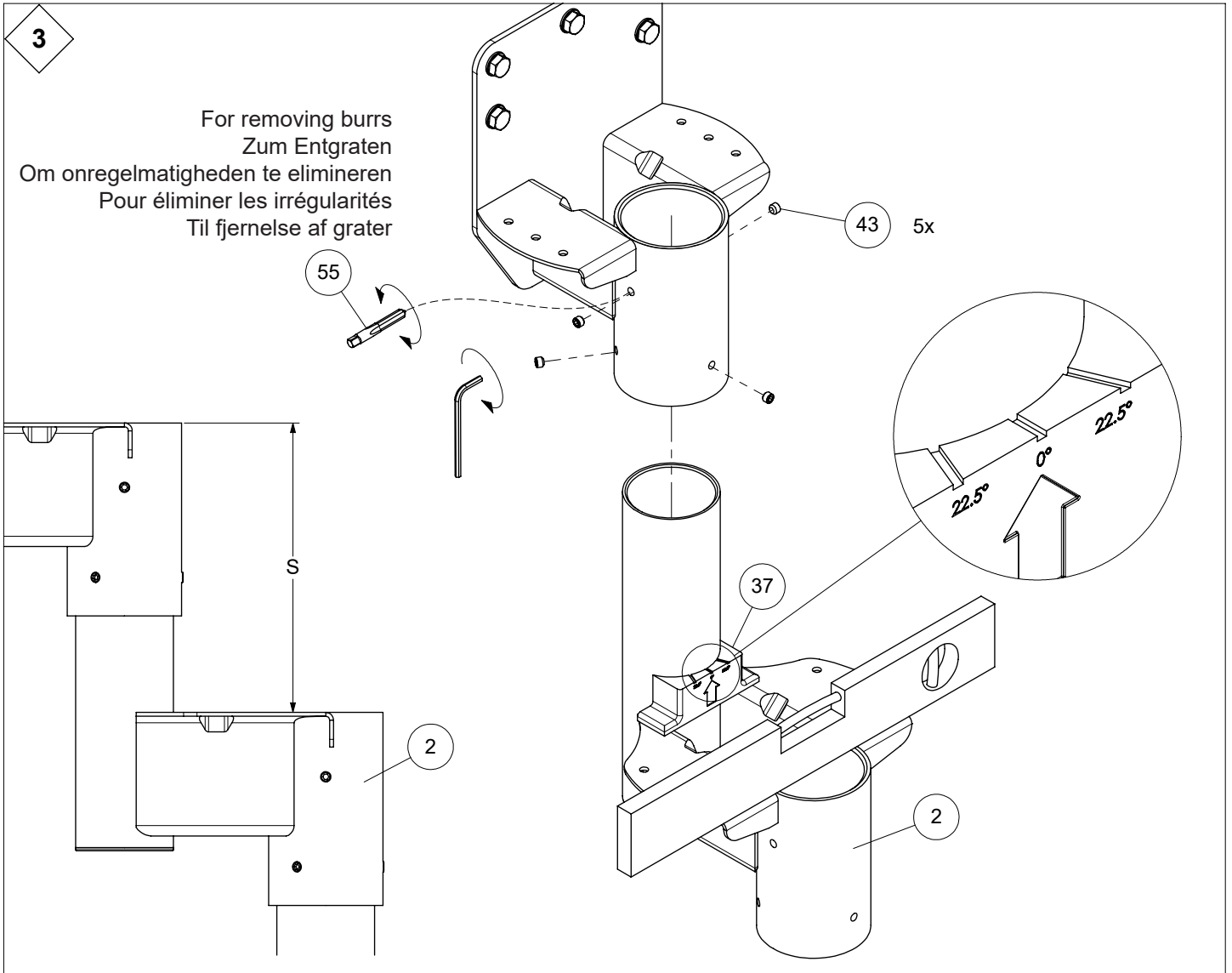
$$S = \frac{2400 \text{ mm}}{11 + 1} = 200 \text{ mm}$$

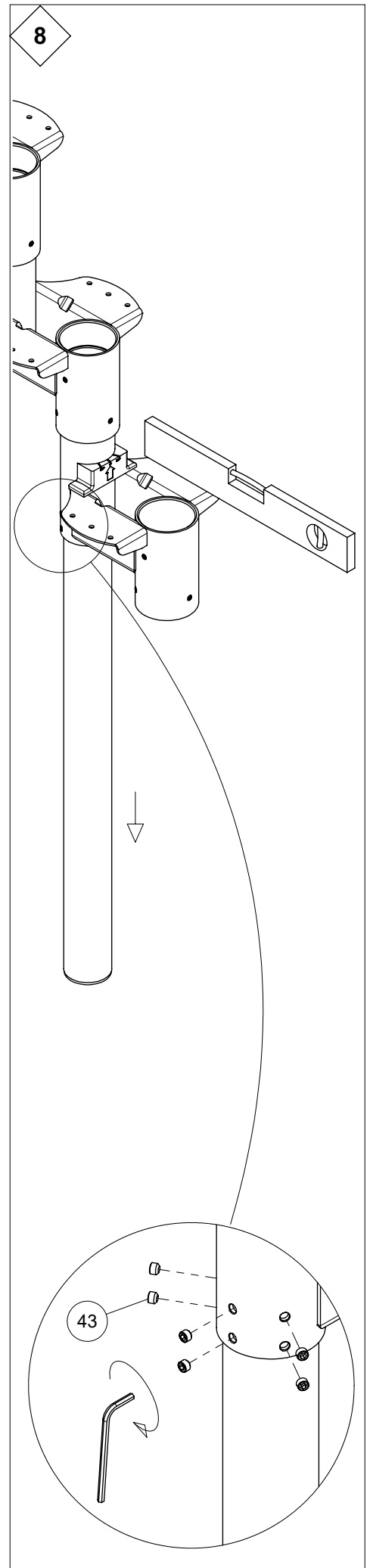
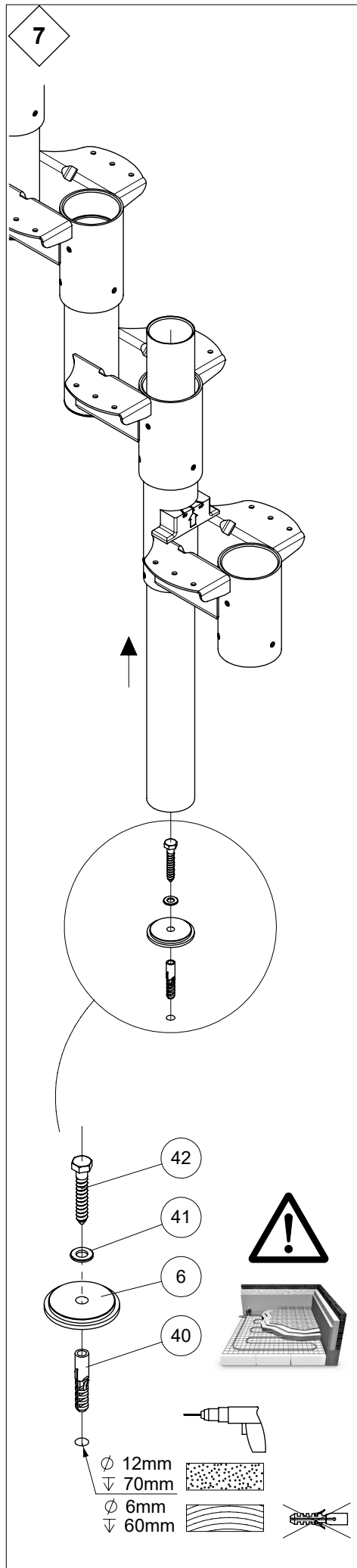
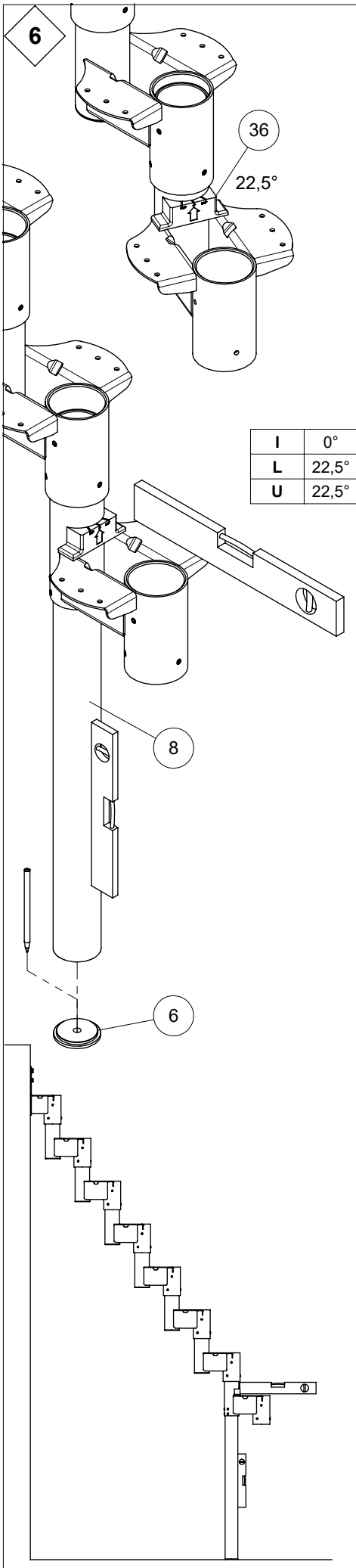


| T | min H | max H |
|----|---------|---------|
| 9 | 1850 mm | 2250 mm |
| 10 | 2035 mm | 2475 mm |
| 11 | 2220 mm | 2700 mm |
| 12 | 2405 mm | 2925 mm |
| 13 | 2590 mm | 3150 mm |
| 14 | 2775 mm | 3375 mm |
| 15 | 2960 mm | 3600 mm |

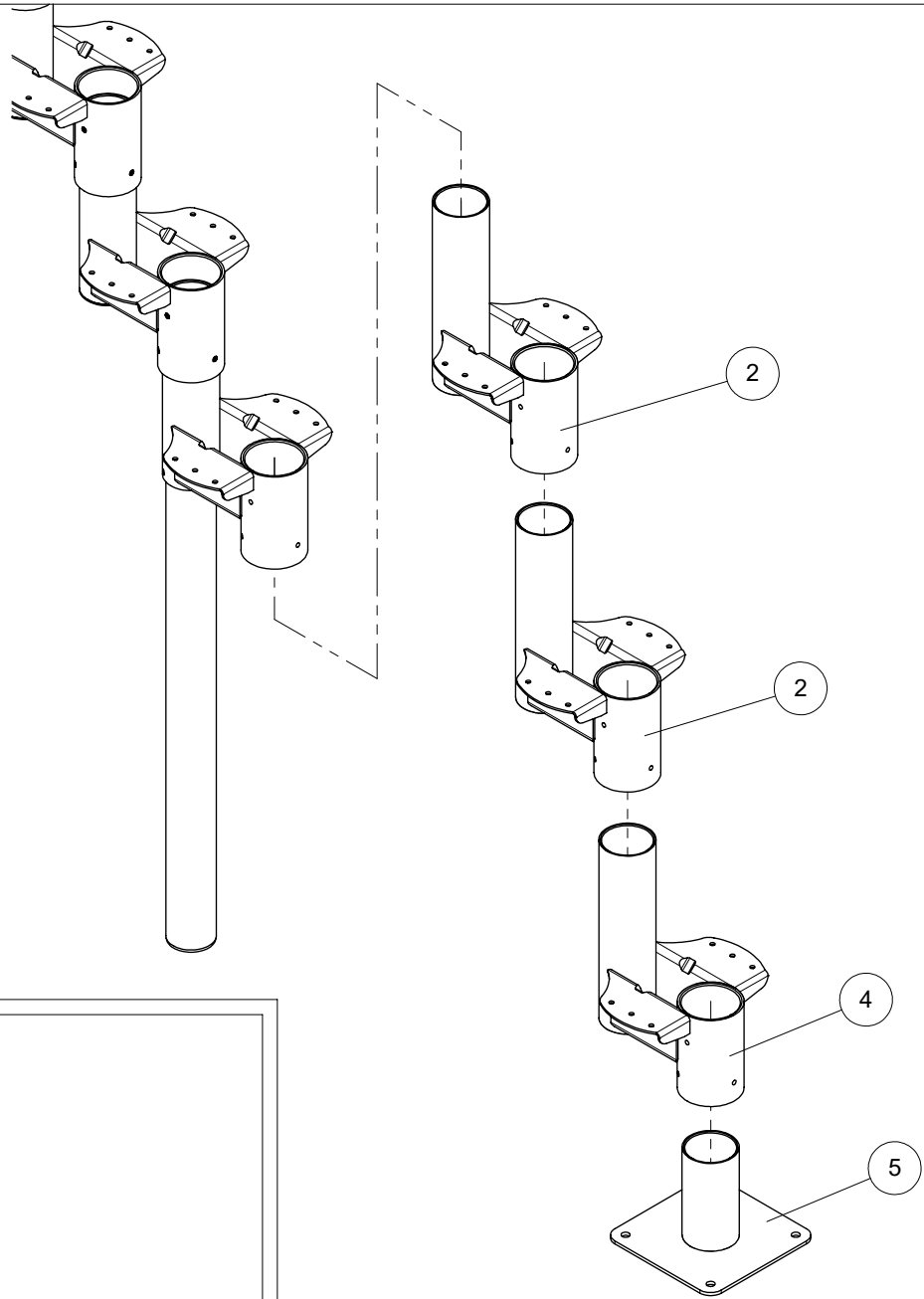




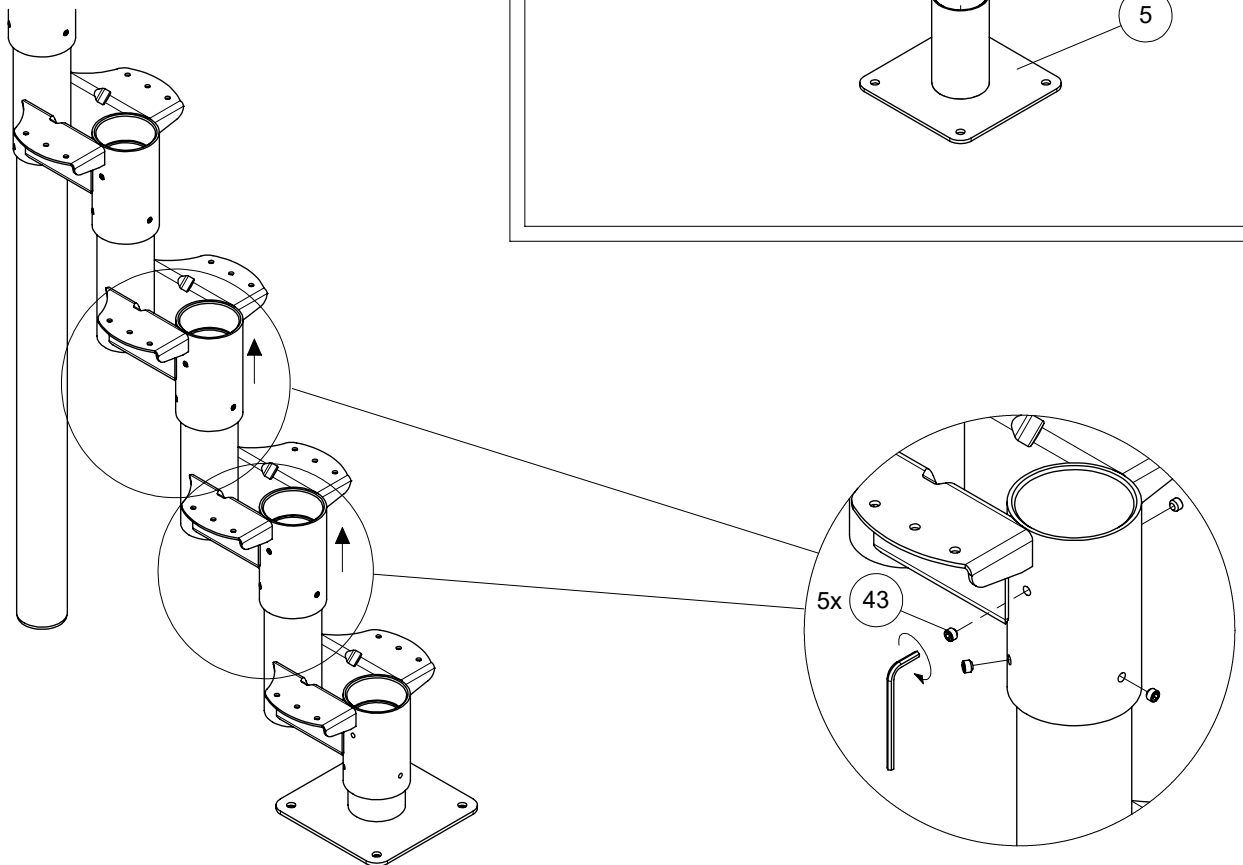


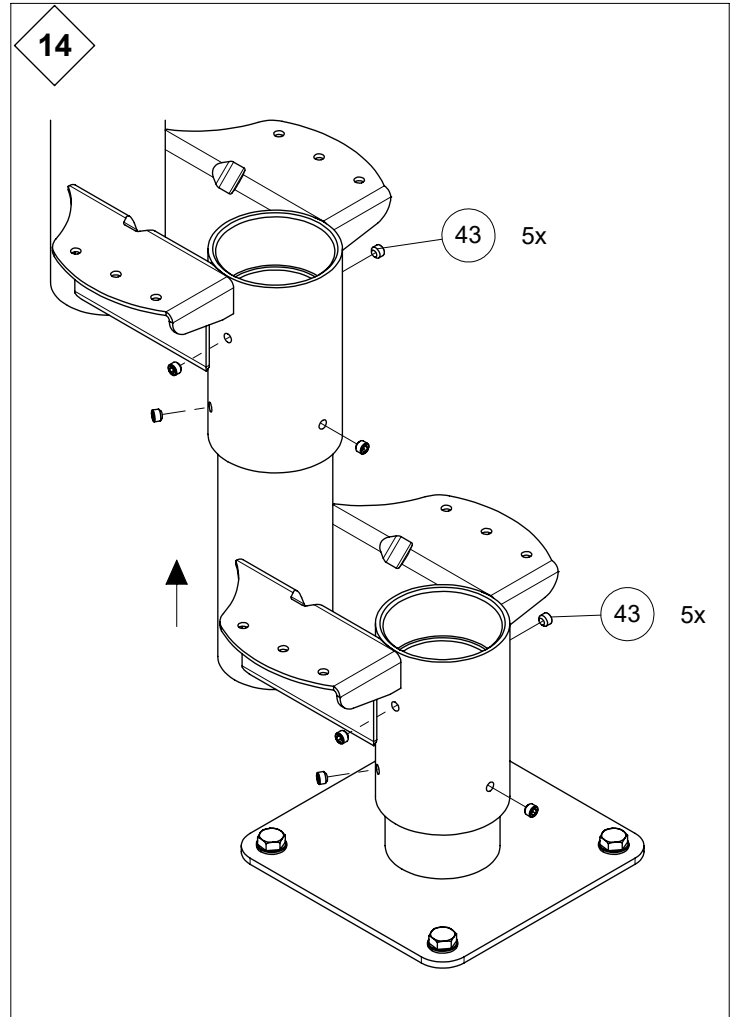
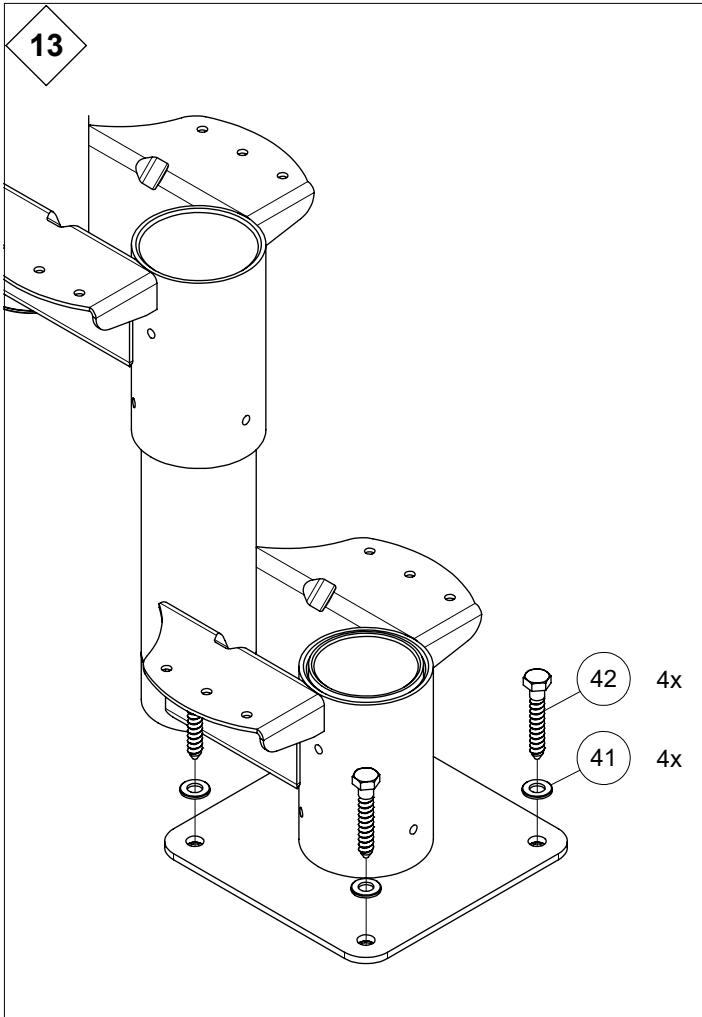
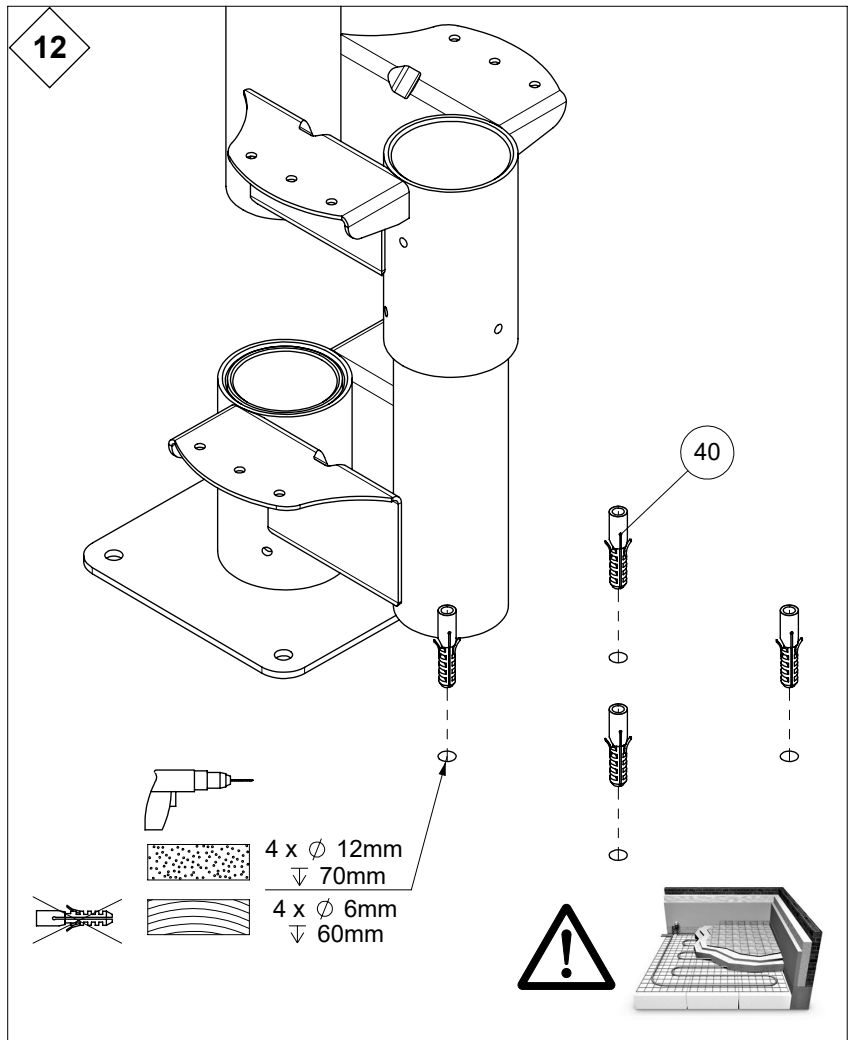
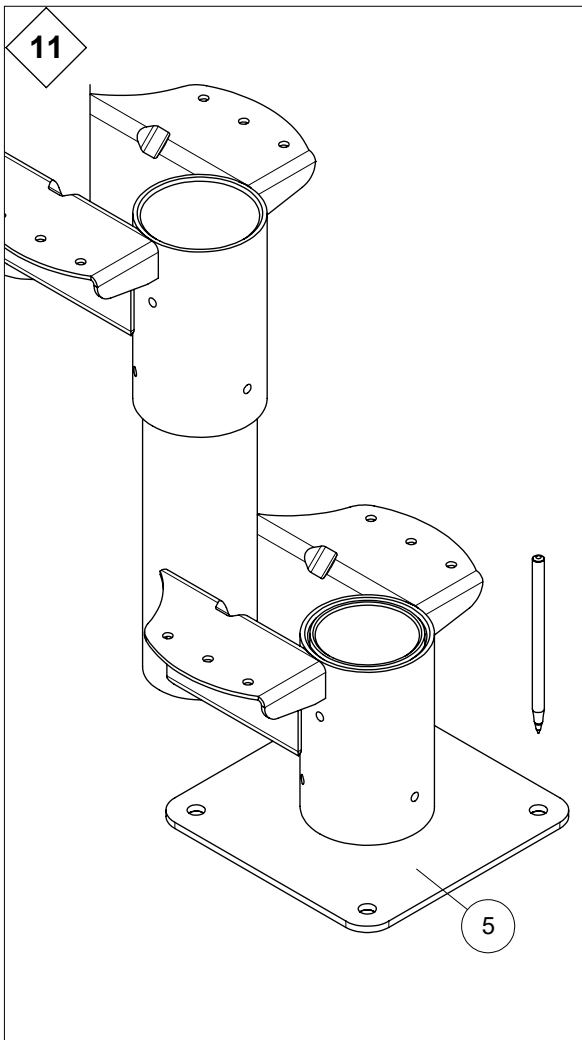


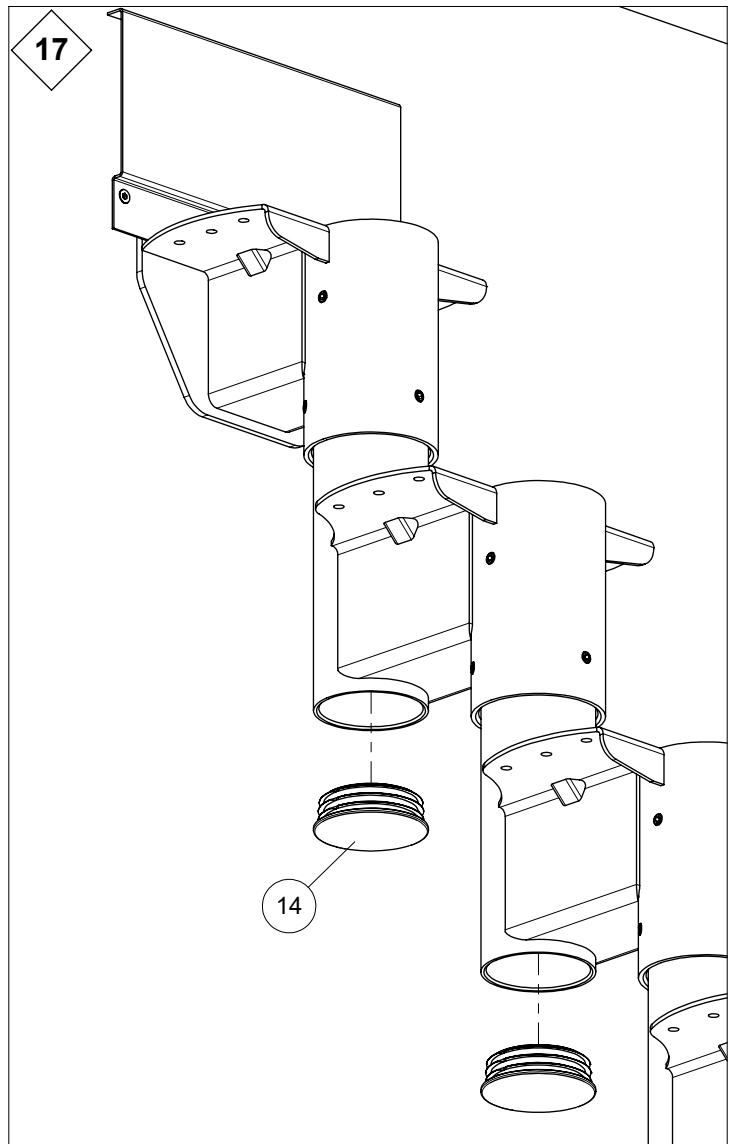
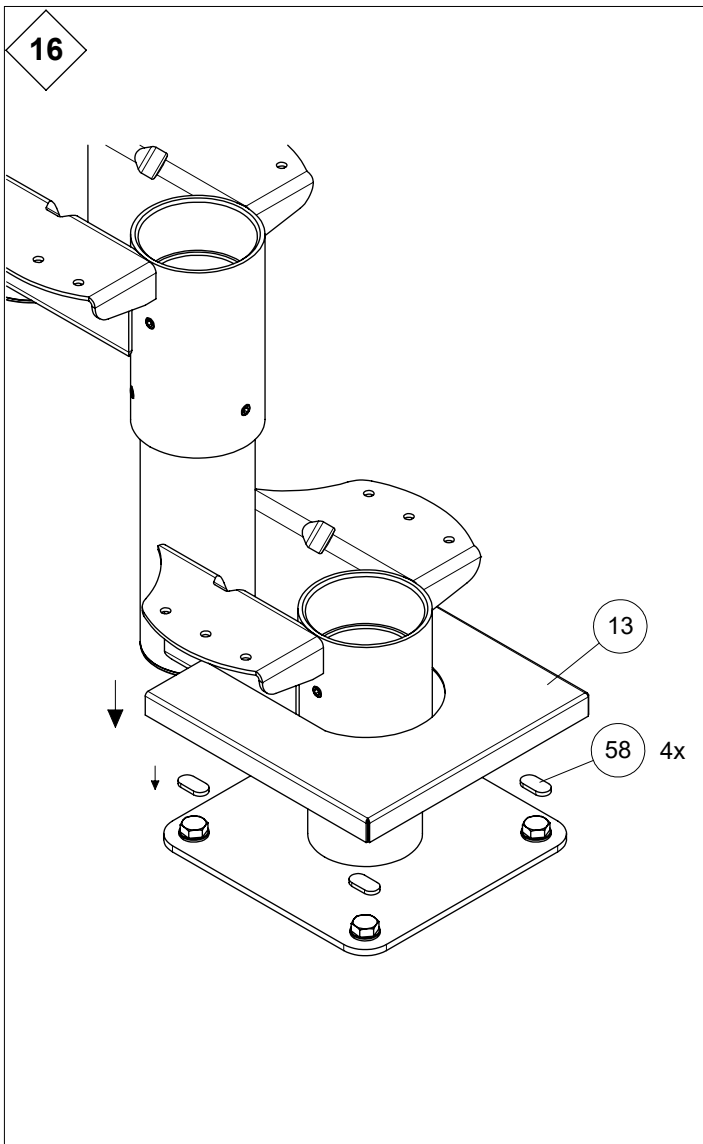
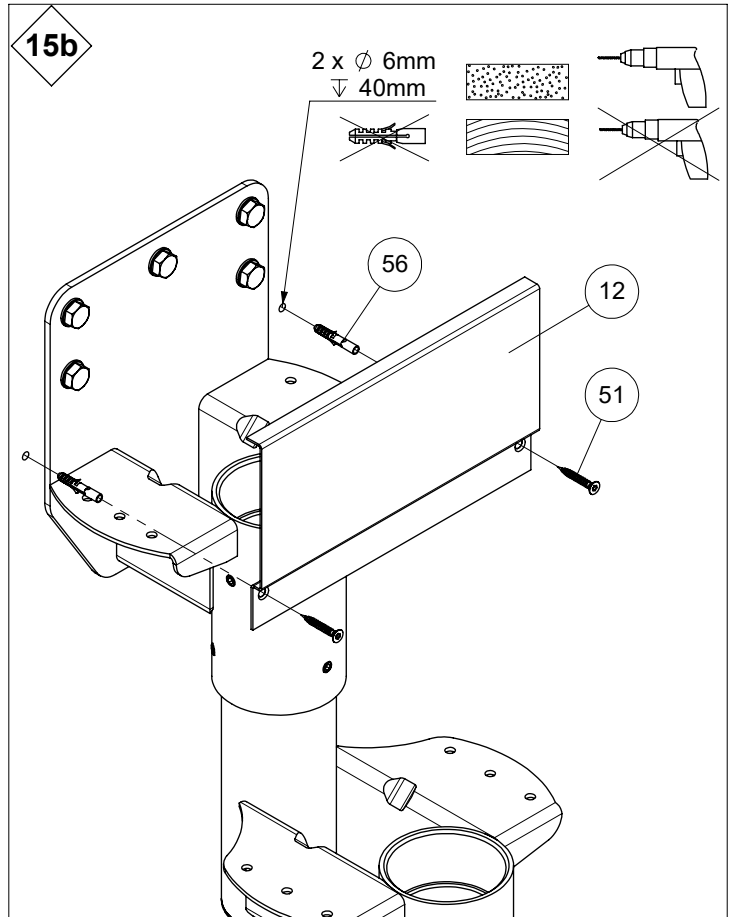
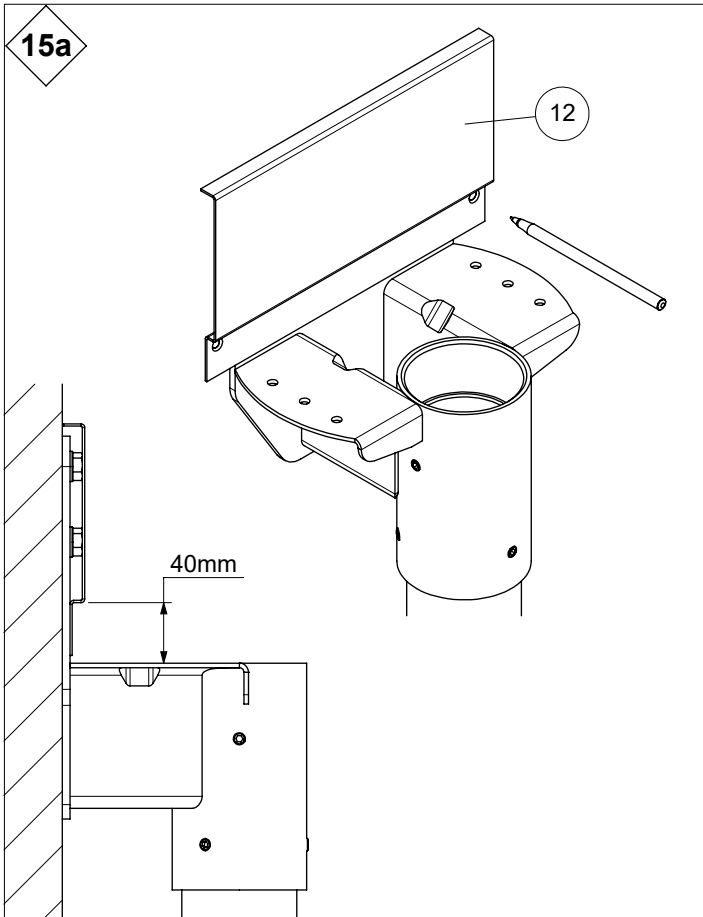
9



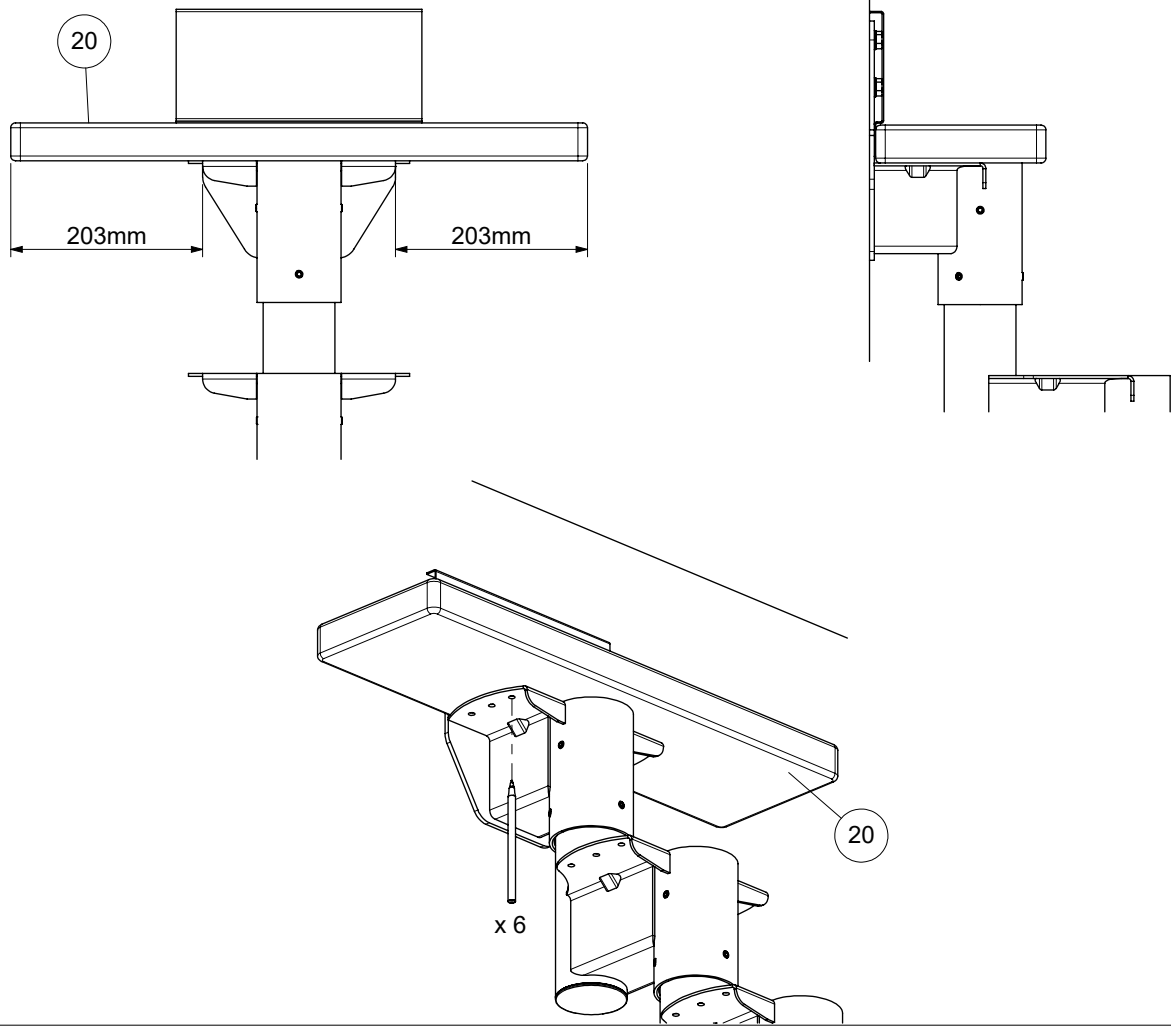
10



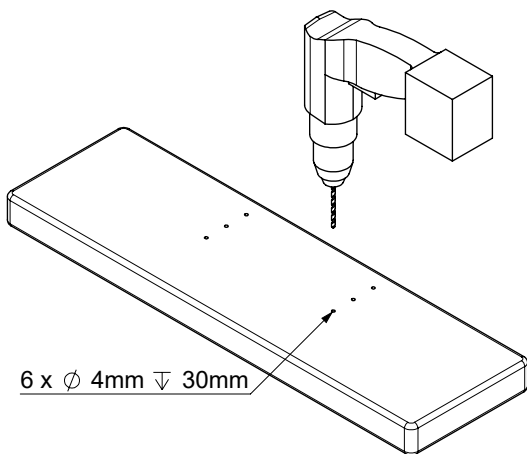




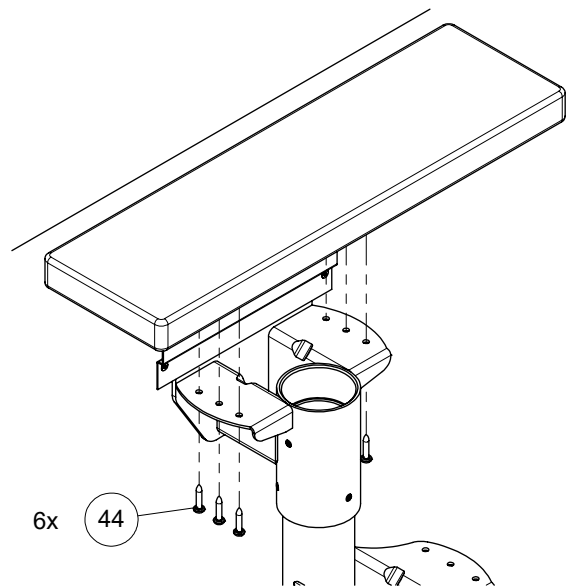
18



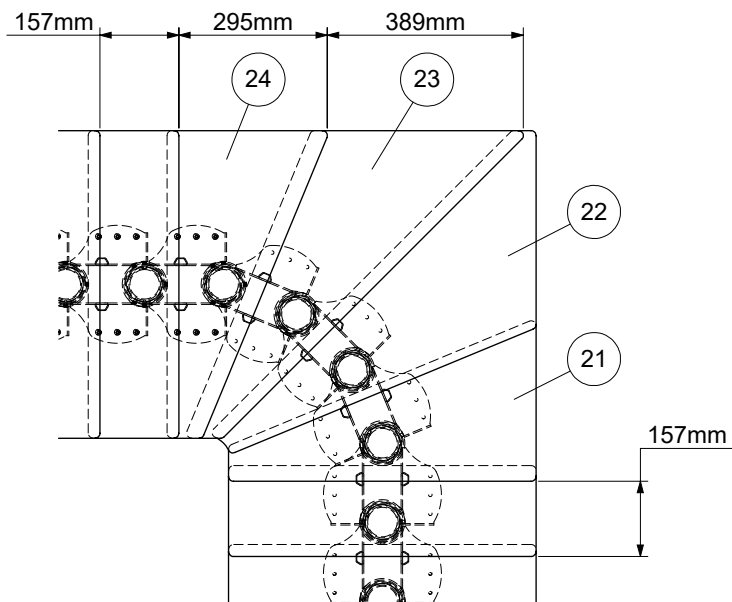
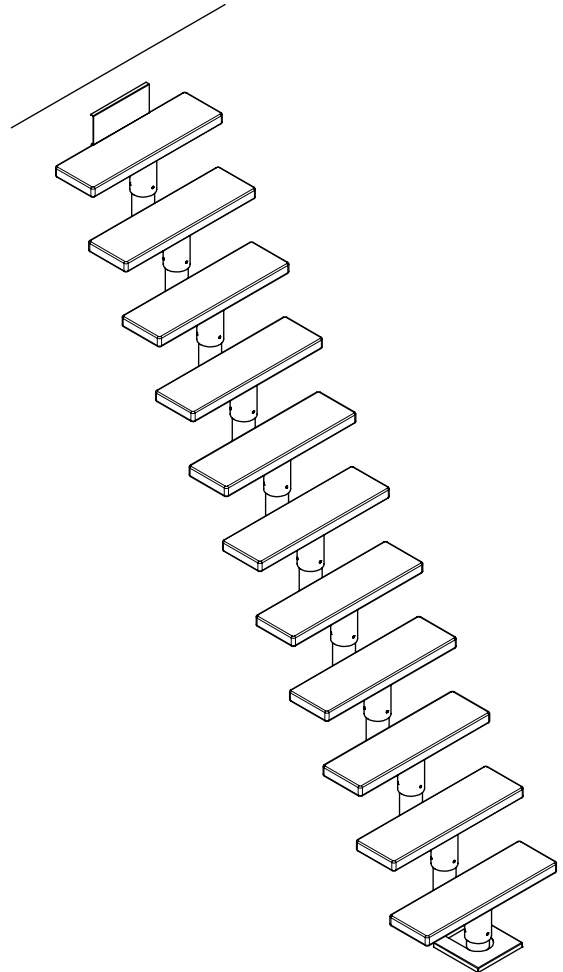
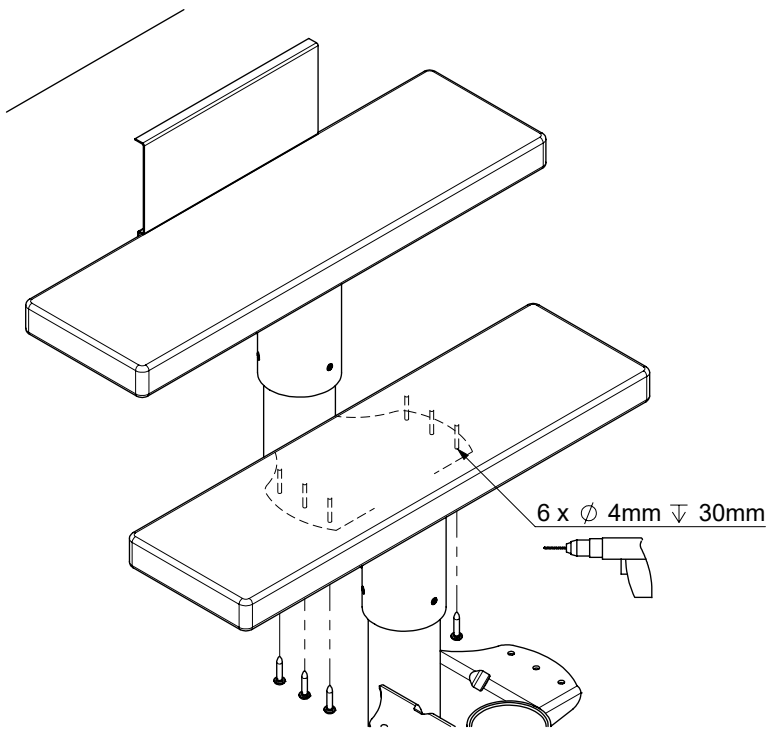
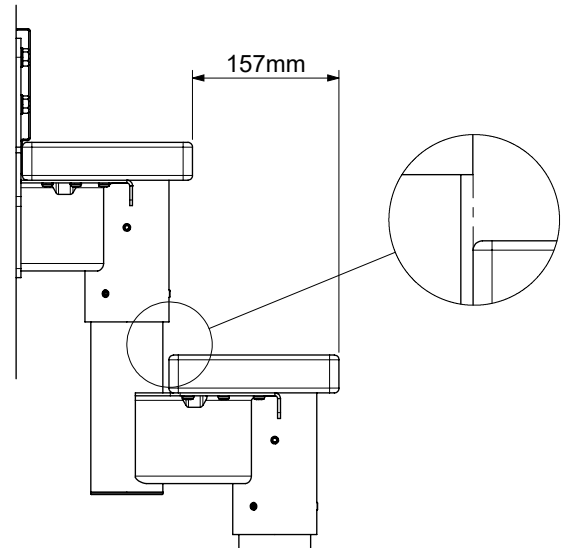
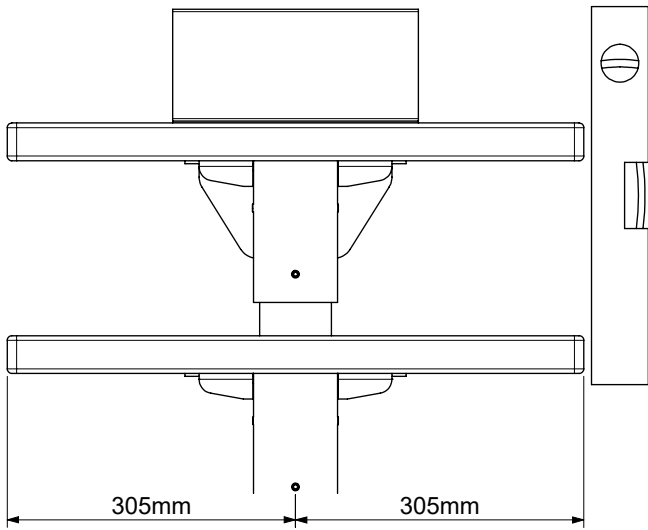
19



20

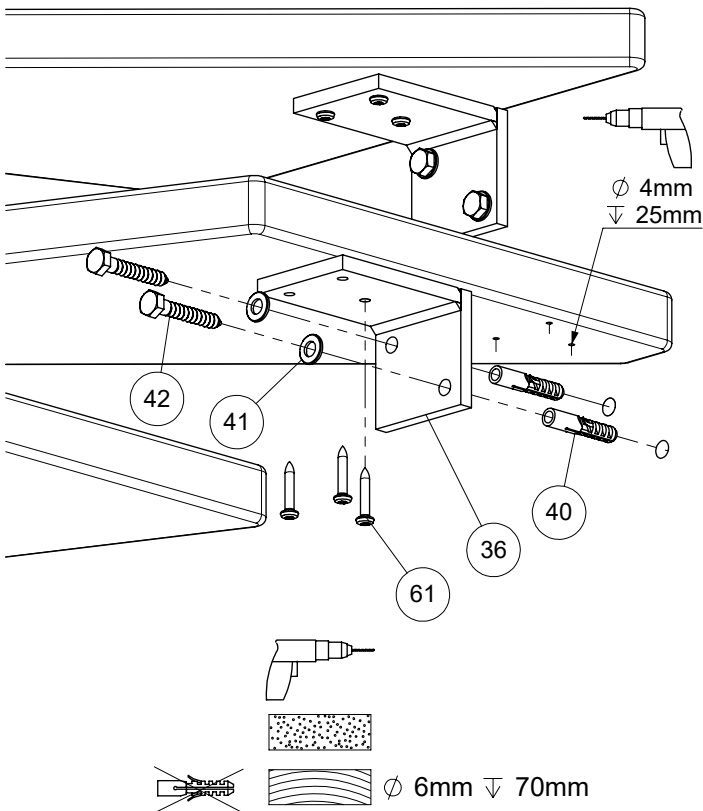
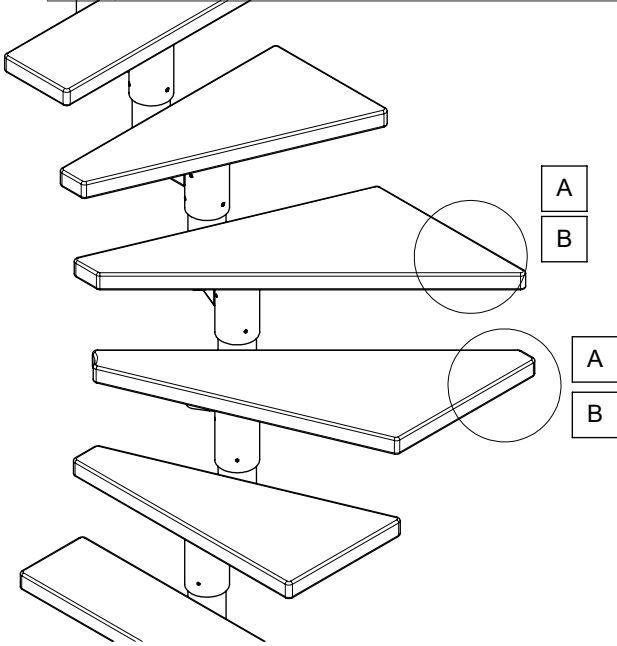


21



22

| | |
|----------|---|
| I | Mounting of wallbrackets is optional Die Montage von Wandhalterungen ist optional Montage van muurbeugels is optioneel Le montage de supports muraux est facultatif Montering af vægbeslag er valgfri |
| L | 2 wall brackets in position A or B 2 Wandhalterungen in der Position A oder B 2 muurbeugels in positie A of B 2 supports mural dans la position A ou B 2 vægbeslag i position A eller B |
| U | 4 wall brackets in position A or B 4 Wandhalterungen in der Position A oder B 4 muurbeugels in positie A of B 4 supports mural dans la position A ou B 4 vægbeslag i position A eller B |



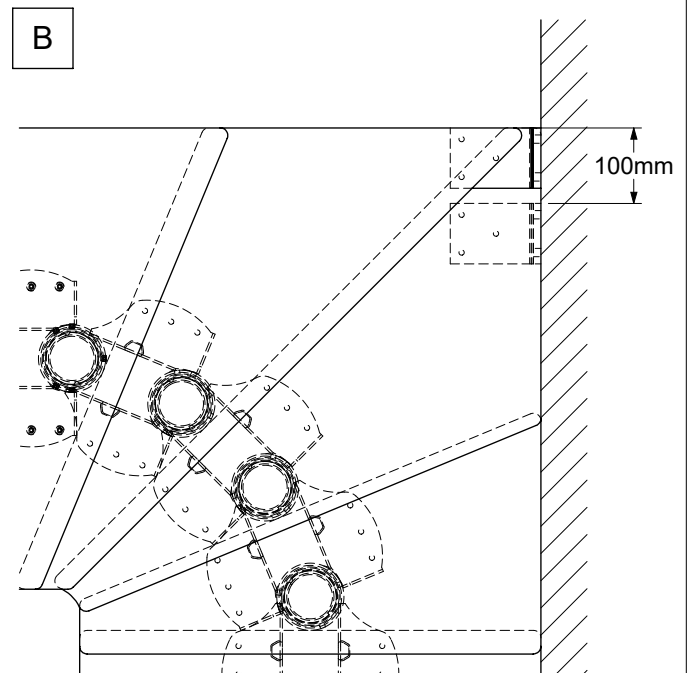
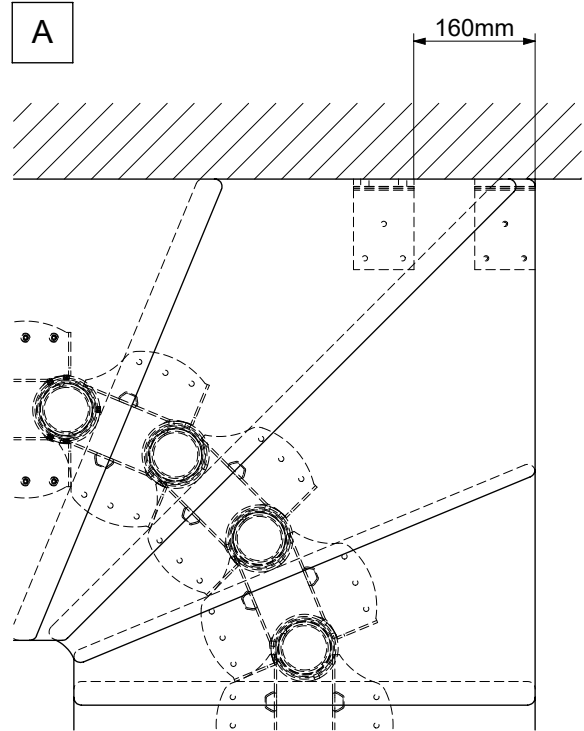
2 wall brackets must be mounted on a 1/4 turn or 4 on a 1/2 turn staircase.

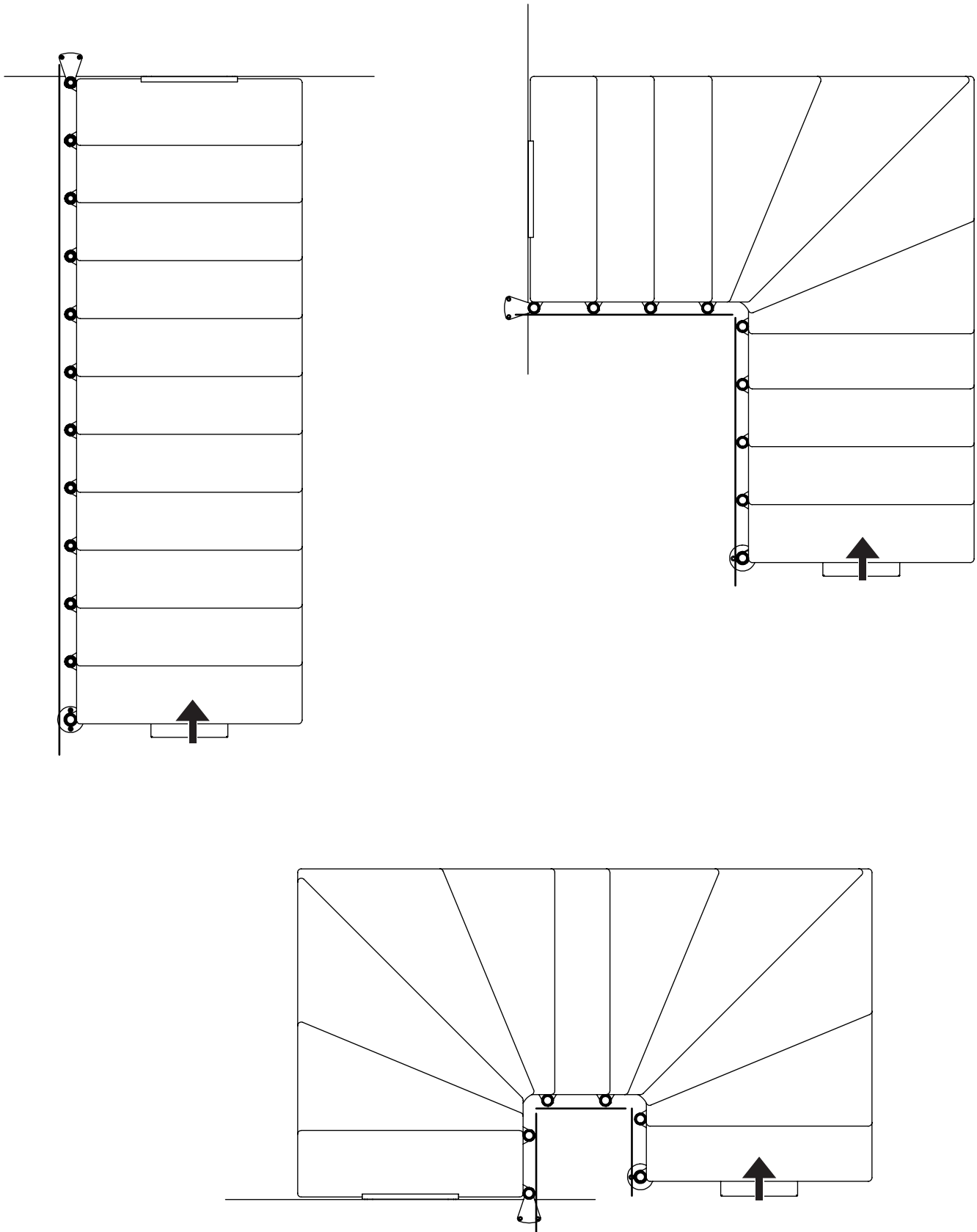
2 Wandhalterungen müssen auf einer 1/4-gewendelten oder 4 auf einer 1/2-gewendelten Treppe montiert werden.

2 muurbeugels moeten gemonteerd worden op een 1/4 draai of 4 op een 1/2 draai trap.

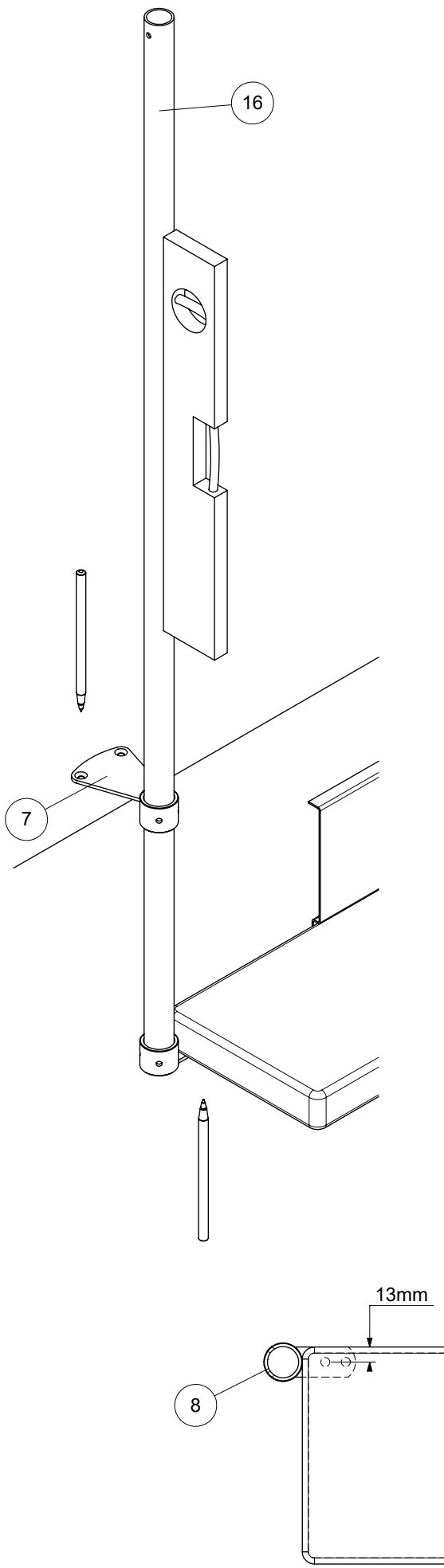
2 supports mural doivent être monté sur un escalier 1/4 ou 4 sur un escalier 1/2 tournant.

2 vægvinkler er påkrævet i en 1/4-svings- eller 4 i en 1/2-svings-trappe.





23



24

