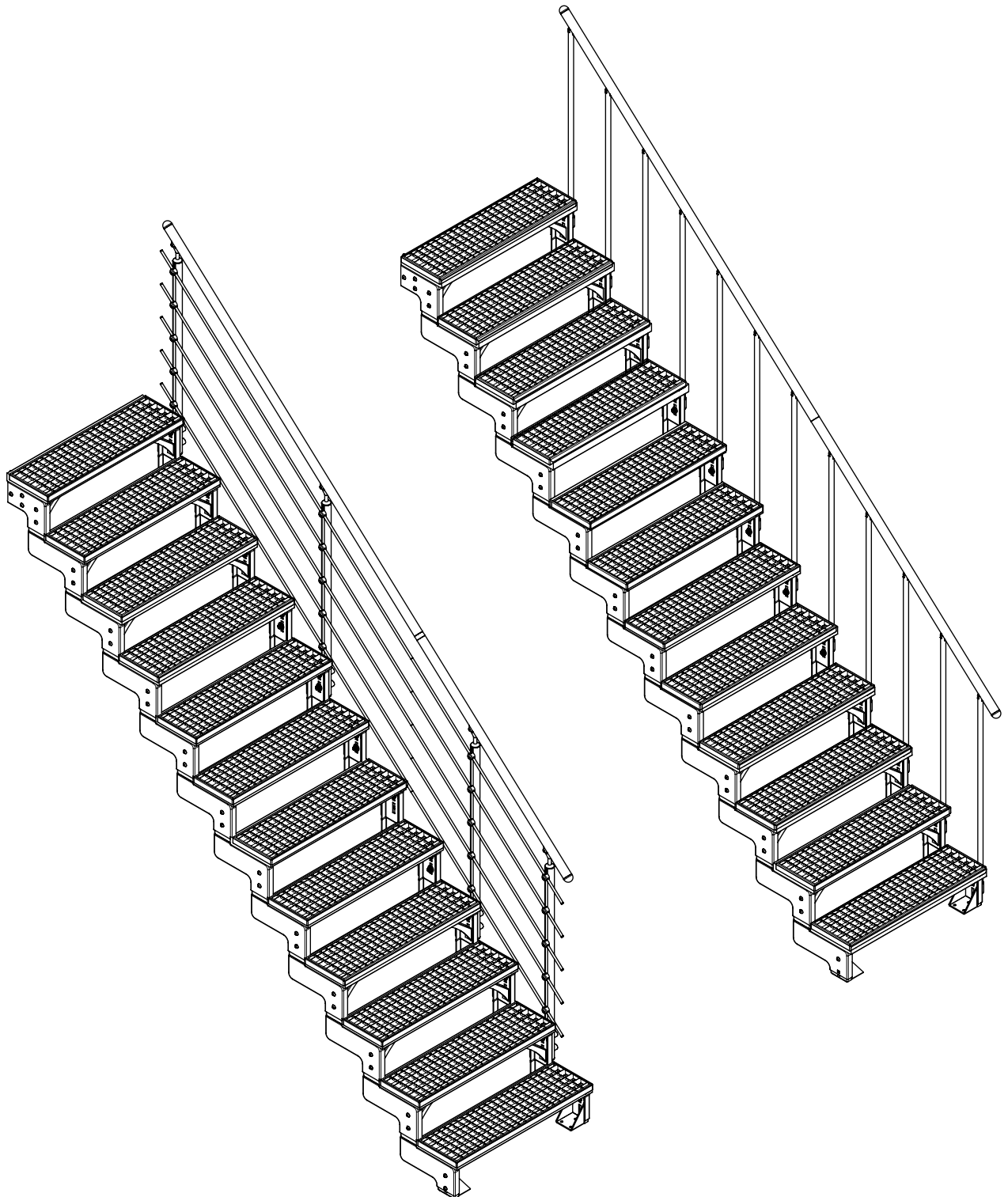


# GARDENTOP

## Gitterrost

Montageanleitung  
Installation instruction


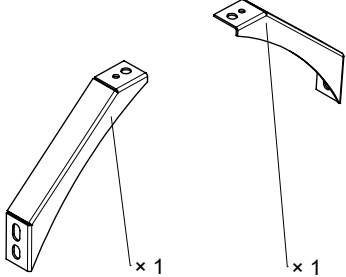








<b>1068015</b>		<b>Starter-Set Start kit</b>					
<p>1 2</p> <p>× 1 K1-41430</p> <p>× 1 K1-41930</p>		<p>7 8</p> <p>× 1 K1-41911</p> <p>× 1 K1-41910</p>		<p>5</p> <p>× 2 K2-41900</p>			
<p>6</p> <p>× 2 K1-41940</p>		<p>40</p> <p>× 14 K3-02045 M10×25</p>	<p>41</p> <p>× 2 K3-04110 Ø10</p>	<p>42</p> <p>× 8 K3-04198 Ø10</p>	<p>43</p> <p>× 14 K3-03051 M10</p>	<p>44</p> <p>× 12 K3-08001 Ø12 x 60</p>	<p>45</p> <p>× 12 K3-06070 Ø10 x 60</p>
<p>59</p> <p>× 12 K3-06269 Ø6 x 35</p>	<p>63</p> <p>× 4 K3-05022 M8 x 20</p>	<p>64</p> <p>× 12 K3-04010 Ø10,5</p>					

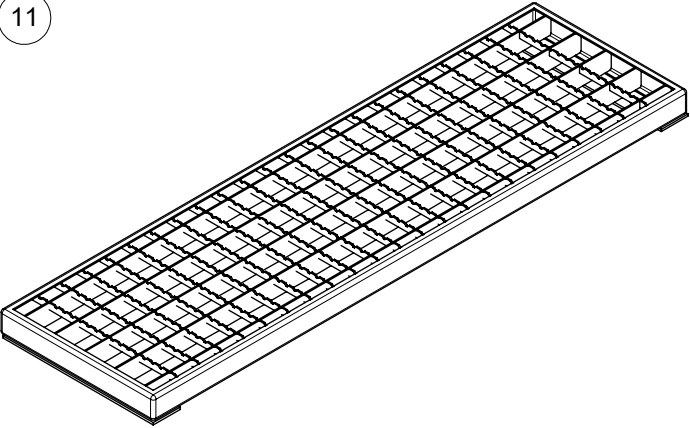
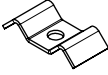





<b>1068016</b>		<b>Ergänzungs-Set 1 step kit</b>		
<p>3 4</p> <p>× 1 K1-41921</p> <p>× 1 K1-41920</p>		<p>40</p> <p>× 4 K3-02045 M10 x 25</p>	<p>42</p> <p>× 4 K3-04198 Ø10</p>	<p>43</p> <p>× 4 K3-03051 M10</p>
		<p>59</p> <p>× 6 K3-06269 Ø6 x 35</p>		

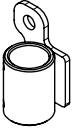
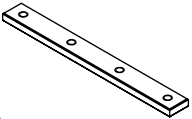
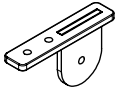

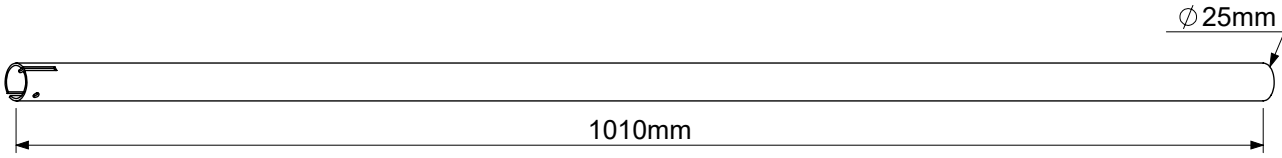
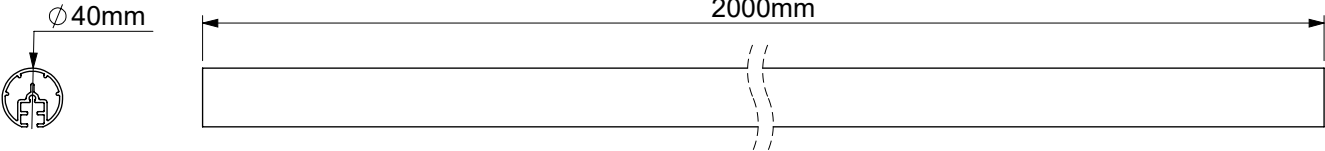




**1068020**


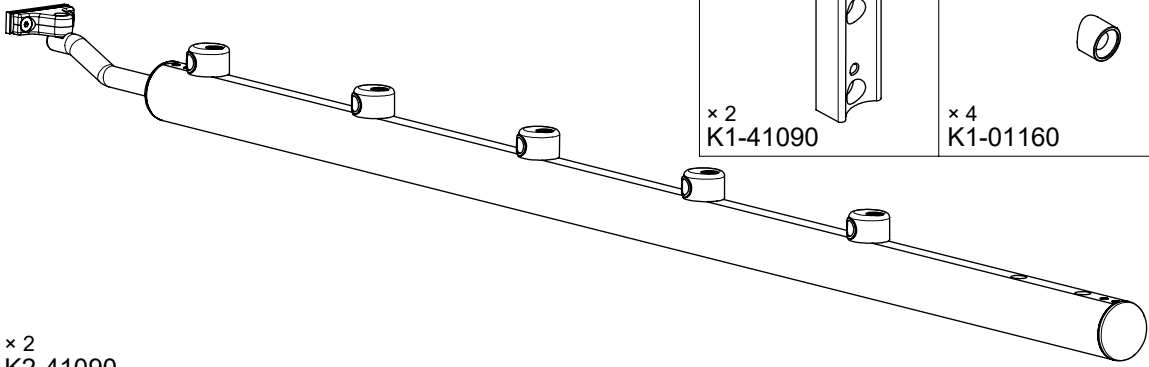


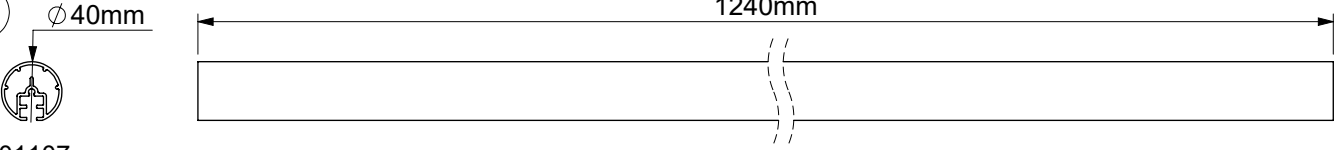
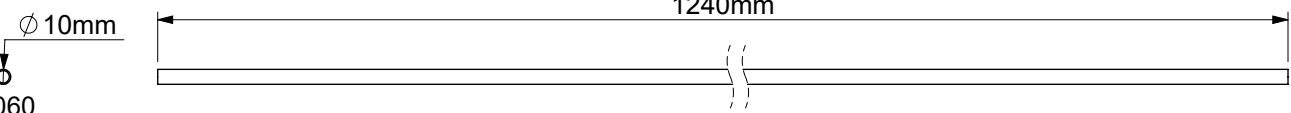


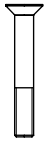
**Stufen-Winkel**  
**Step support 1 step**

 <p>If more than 6 steps: Add 9 + 10</p> <p>Wenn mehr als 6 Stufen: hinzufügen 9 + 10</p>	<p>9 10</p>  <p>x 1 K1-41060    x 1 K1-41061</p> <p>Max. 6 Satz   sets</p>	<p>40</p>  <p>x 2 K3-02045 M10 x 25</p>	<p>43</p>  <p>x 2 K3-03051 M10</p>	<p>58</p>  <p>x 2 K3-02386 M8 x 40</p>
		<p>59</p>  <p>x 1 K3-06269 Ø6 x 35</p>	<p>61</p>  <p>x 2 K3-03047 M8</p>	<p>65</p>  <p>x 2 K3-04099 Ø10</p>

**Gitterrost-Stufe**    **80 cm / 100 cm**  
**Grating step**

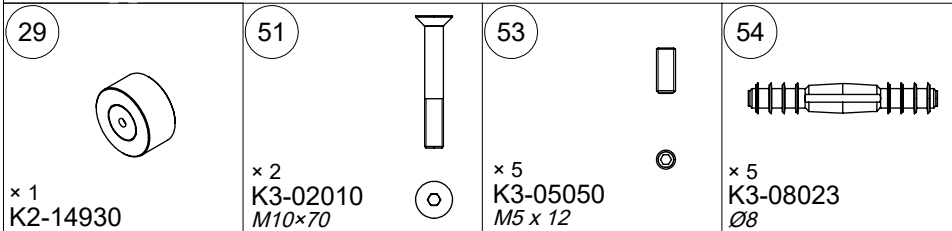
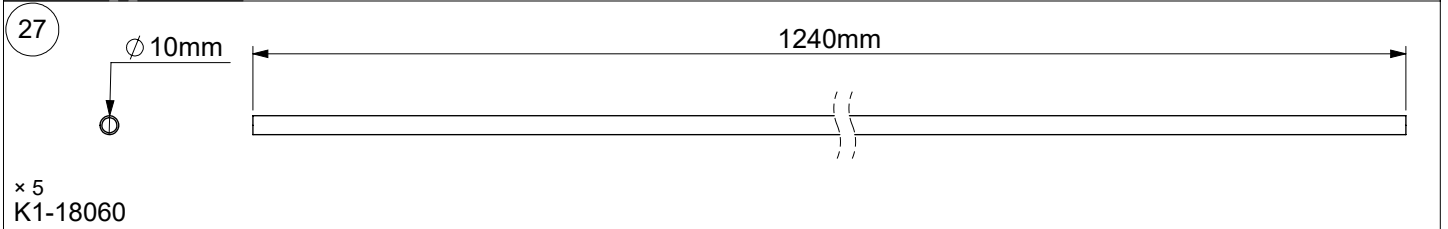
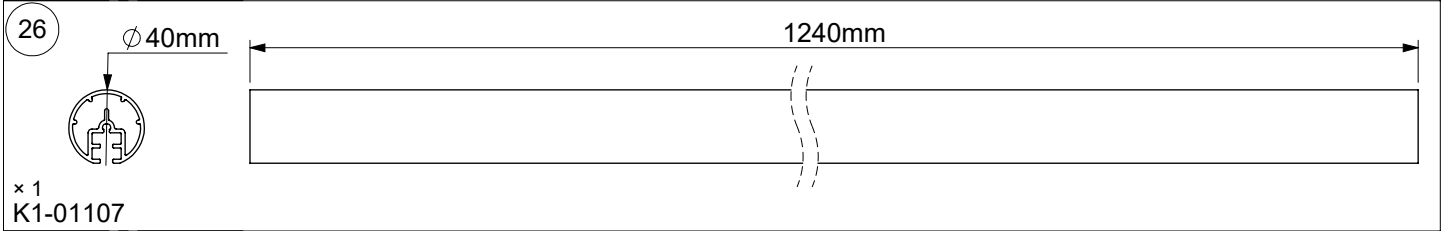
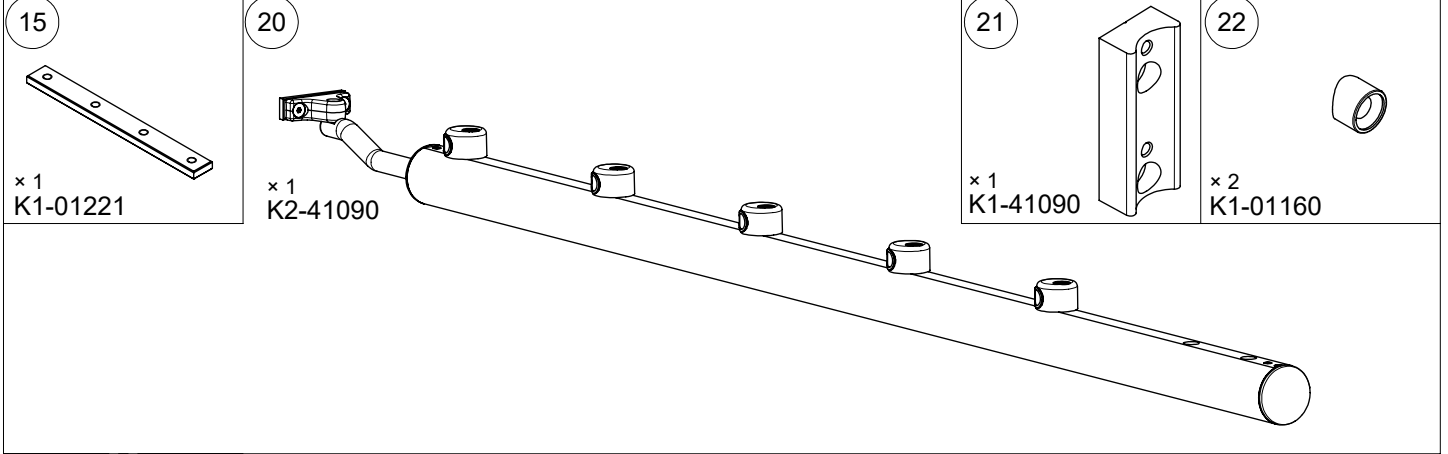
<p>11</p> 	<p>44</p>  <p>x 2</p>	<p>55</p>  <p>x 4 K3-04016 Ø6</p>	<p>56</p>  <p>x 4 K3-03046 M6</p>
	<p>57</p>  <p>x 4 K3-02220 M6 x 20</p>	<p>58</p>  <p>x 2 K3-02386 M8 x 40</p>	<p>61</p>  <p>x 2 K3-03047 M8</p>

<b>1068031</b>		<b>Steiggeländer für 6 Stufen Standard banister for 6 steps</b>			
<p>14</p>  <p>× 6 K2-41052</p>	<p>15</p>  <p>× 1 K1-01221</p>	<p>16</p>  <p>× 6 K1-02130</p>	<p>17</p>  <p>× 2 K2-04040</p>		
<p>18</p>  <p>× 6 K1-41056</p>					
<p>19</p>  <p>× 1 K1-01100</p>					
<p>46</p>  <p>× 6 K3-01034 M4 x 30</p>	<p>47</p>  <p>× 6 K3-03004 M4</p>	<p>48</p>  <p>× 12 K3-05006 M6 x 8</p>	<p>68</p>  <p>× 16 K3-05052 M5 x 16</p>		

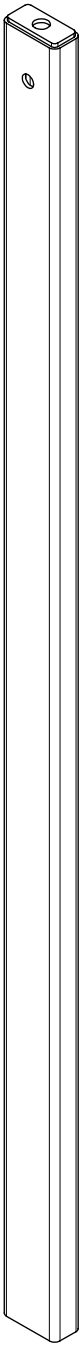
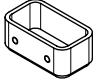
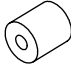






<b>1068040</b>		<b>Steiggeländer PROVA Starter-Set für 4 Stufen PROVA banister start for 4 steps</b>			
<p>17</p>  <p>× 2 K2-04040</p>	<p>20</p>  <p>× 2 K2-41090</p>			<p>21</p>  <p>× 2 K1-41090</p>	<p>22</p>  <p>× 4 K1-01160</p>
<p>26</p>  <p>× 1 K1-01107</p>					
<p>27</p>  <p>× 5 K1-18060</p>					
<p>28</p>  <p>× 10 K1-01010</p>	<p>29</p>  <p>× 1 K2-14930</p>	<p>51</p>  <p>× 4 K3-02010 M10 x 70</p>			

**1068041**

**Steiggeländer PROVA Ergänzungs-Set für 4 Stufen**  
**PROVA banister extension for 4 steps**



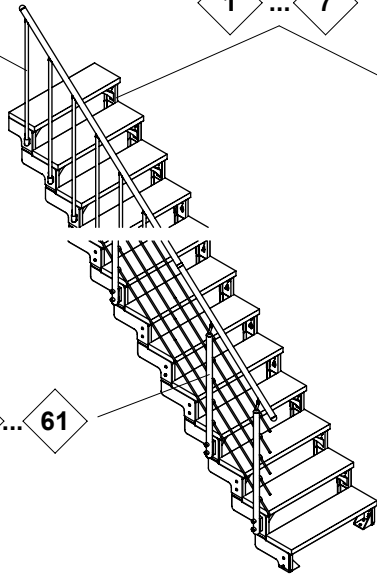
**1068098****Unterstützung  
Support****OPTION**

<p>24</p>  <p>× 1 K1-41950</p>	<p>26</p>  <p>× 1 K1-41955</p>	<p>27</p>  <p>× 1 K1-41956</p>	<p>41</p>  <p>× 1 K3-04110 Ø10</p>	<p>43</p>  <p>× 1 K3-03051 M10</p>	<p>52</p>  <p>× 1 K3-02375 M10 x 75</p>
	<p>53</p>  <p>× 2 K3-05007 M5 x 5</p>	<p>54</p>  <p>× 1 K3-08002 Ø8 x 40</p>	<p>55</p>  <p>× 1 K3-06032 Ø6 x 60</p>		

A

11 ... 32

1 ... 7



11 ... 32

A

41 ... 61

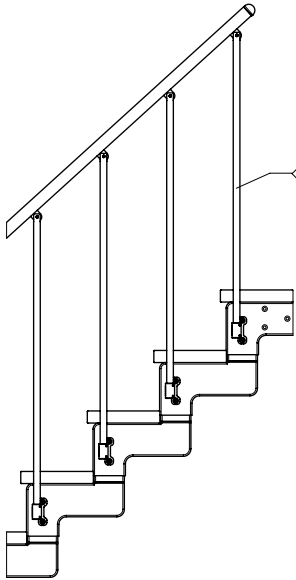
B

B

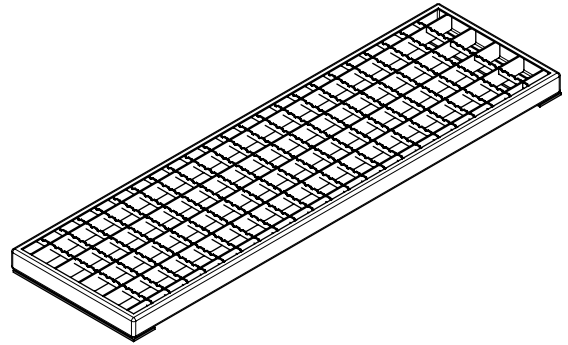
41 ... 61

A

11 ... 32

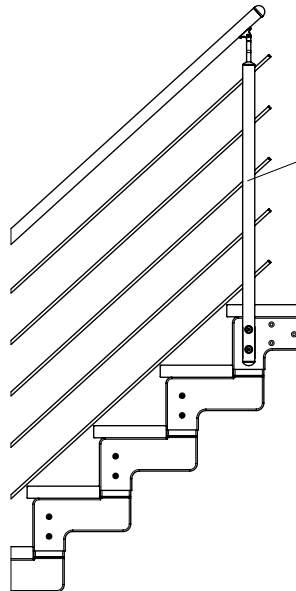


+

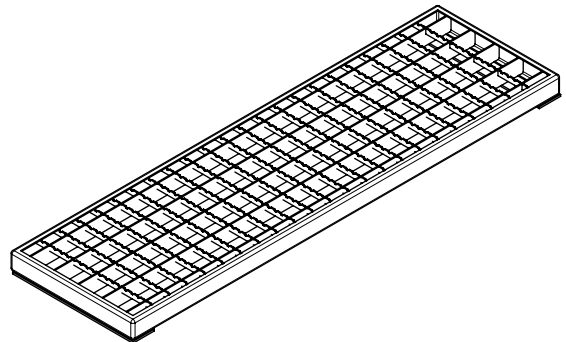


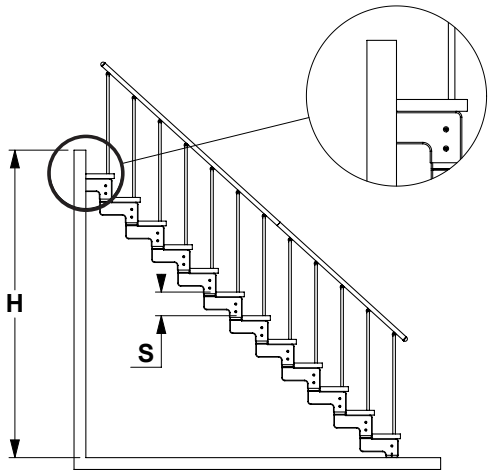
B

41 ... 61

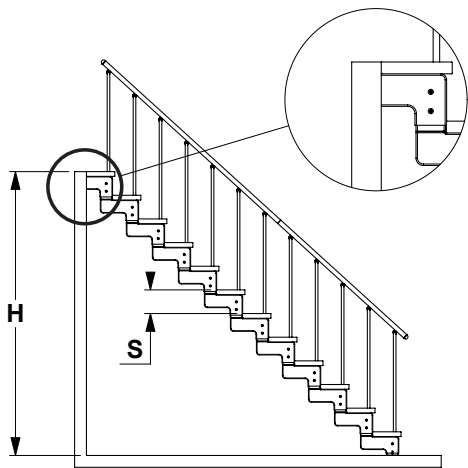
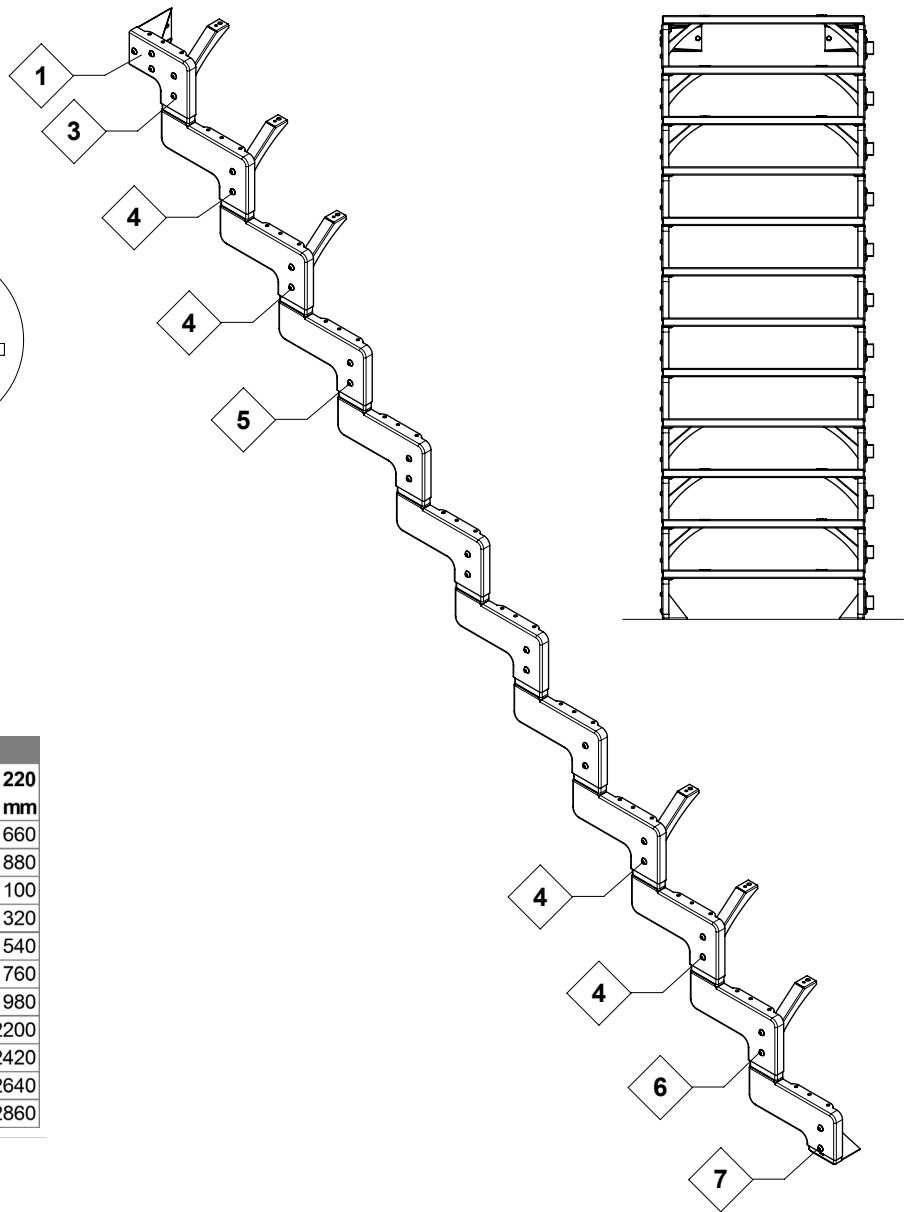


+

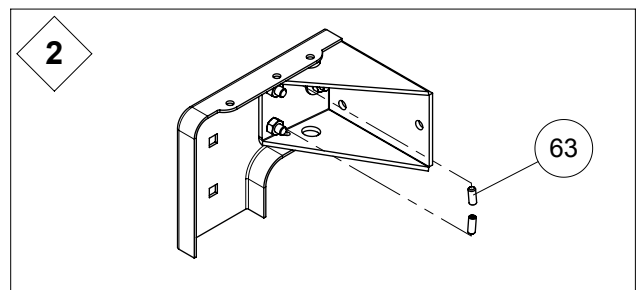
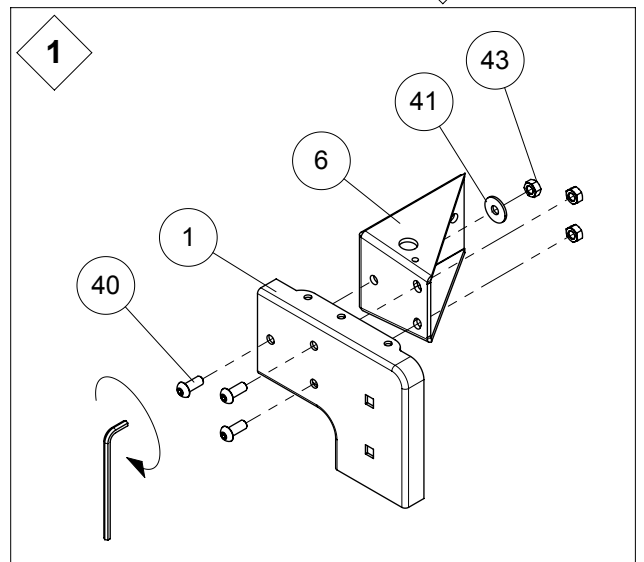




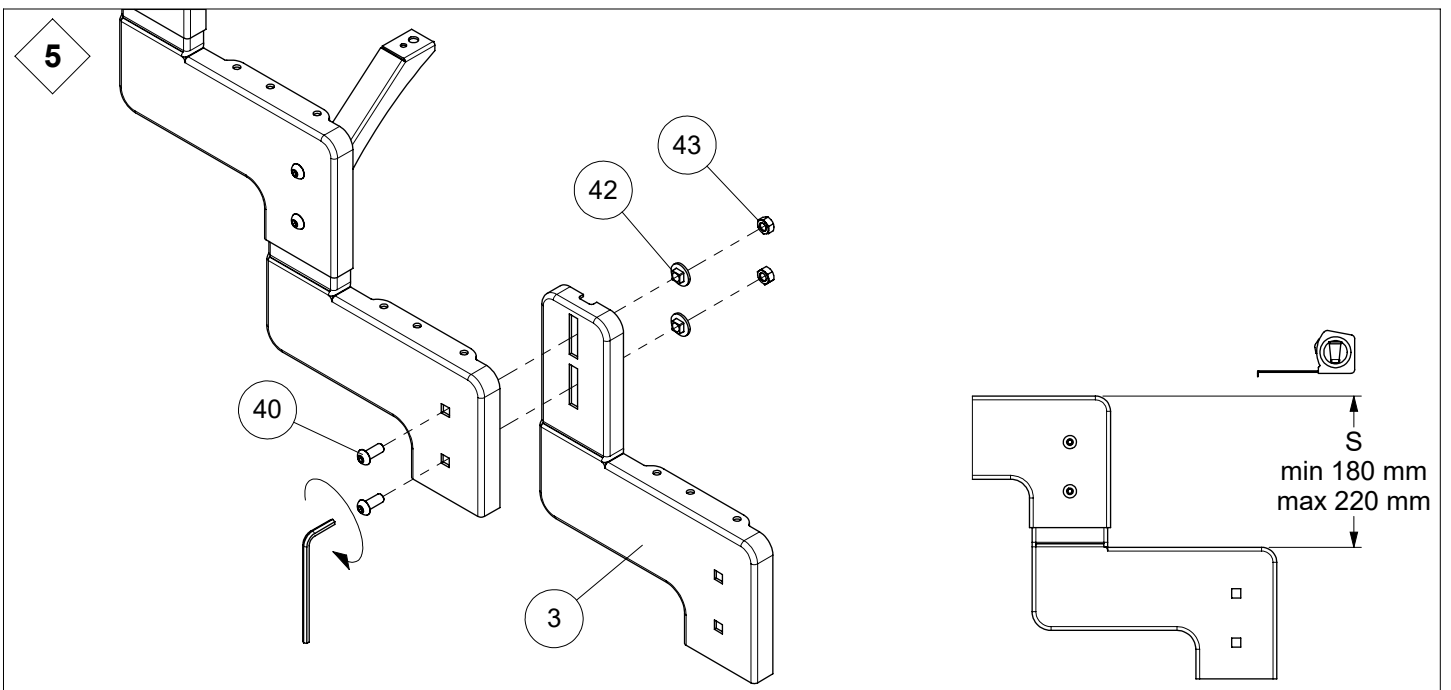
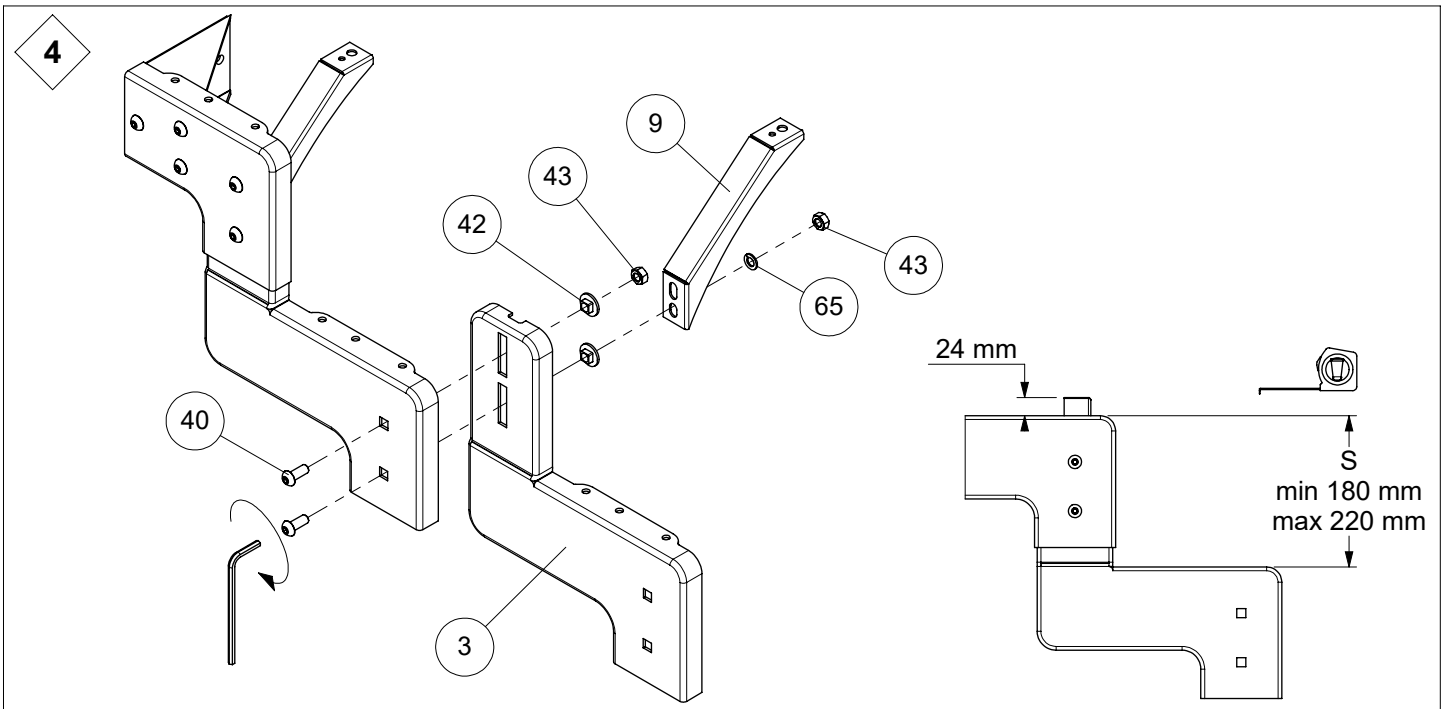
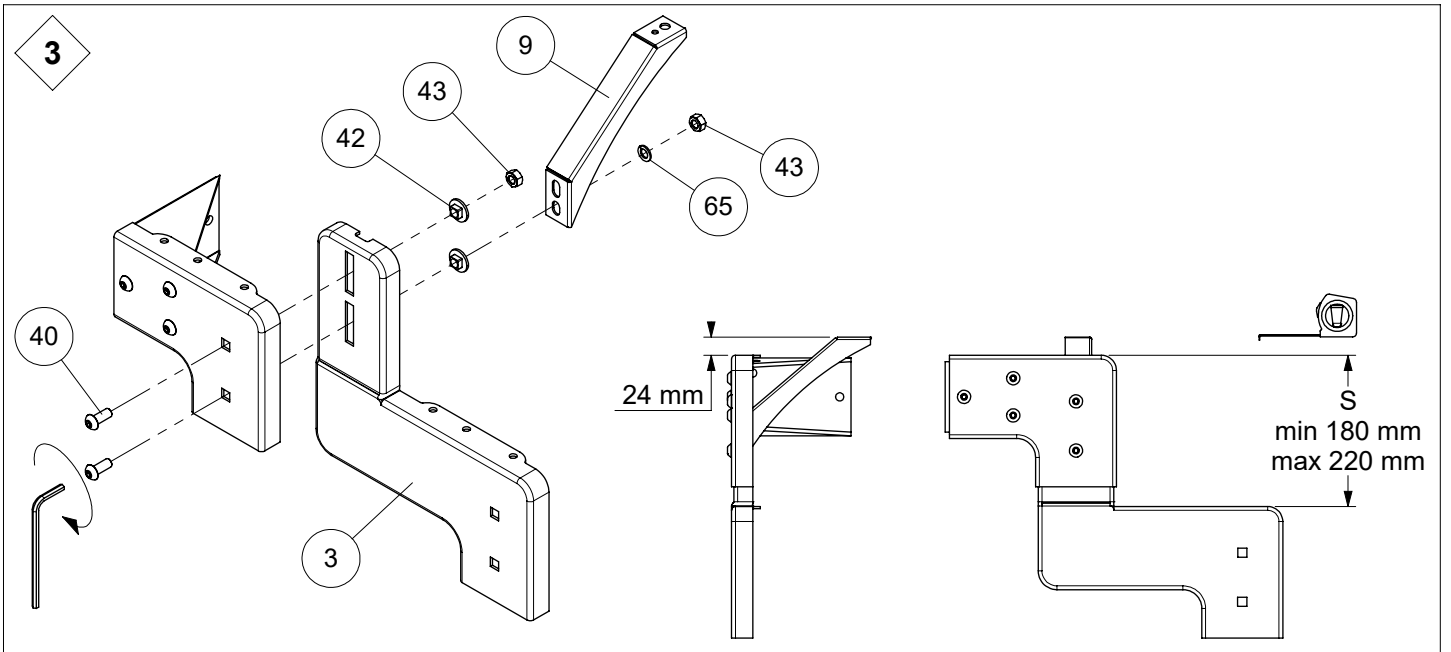
H	S				
mm	180	190	200	210	220
2	540	570	600	630	660
3	720	760	800	840	880
4	900	950	1000	1050	1100
5	1080	1140	1200	1260	1320
6	1260	1330	1400	1470	1540
7	1440	1520	1600	1680	1760
8	1620	1710	1800	1890	1980
9	1800	1900	2000	2100	2200
10	1980	2090	2200	2310	2420
11	2160	2280	2400	2520	2640
12	2340	2470	2600	2730	2860

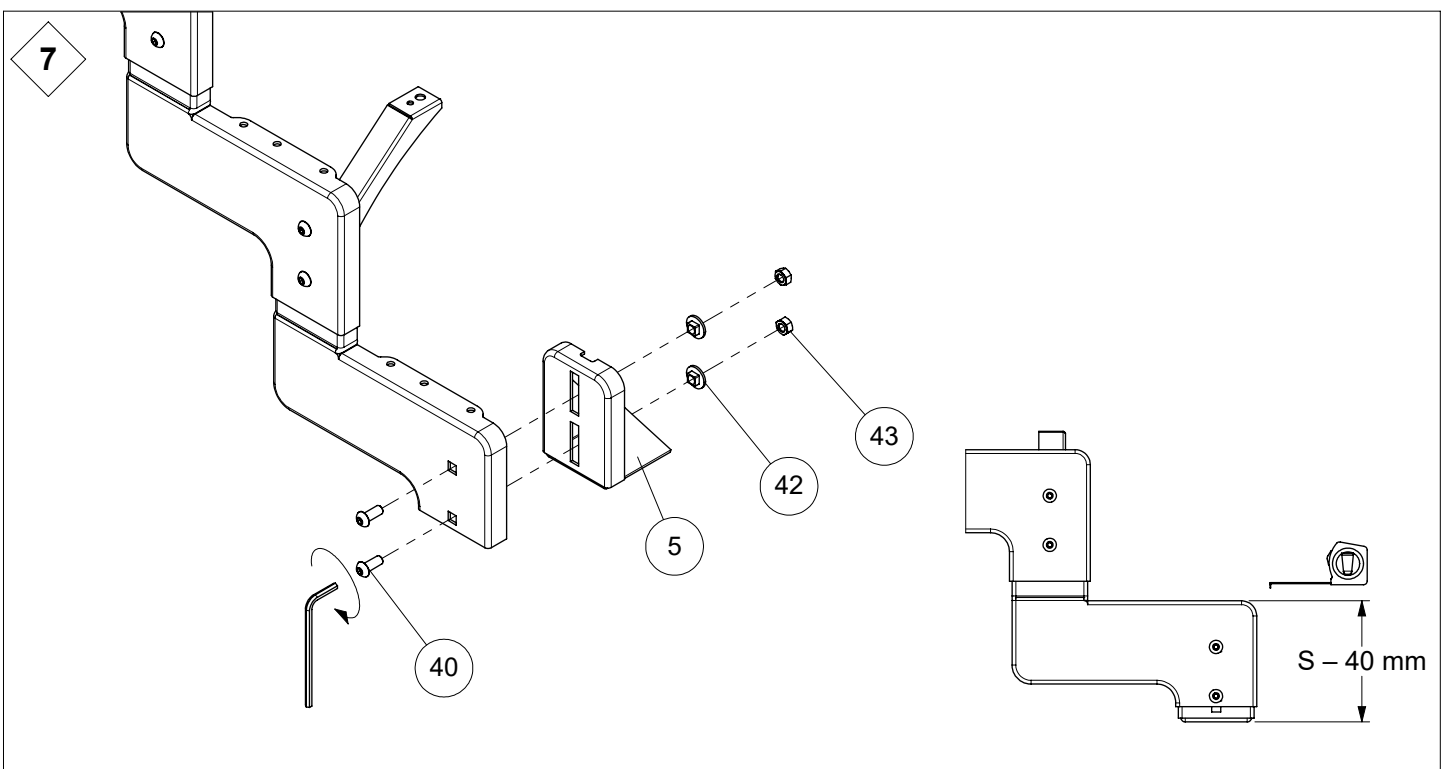
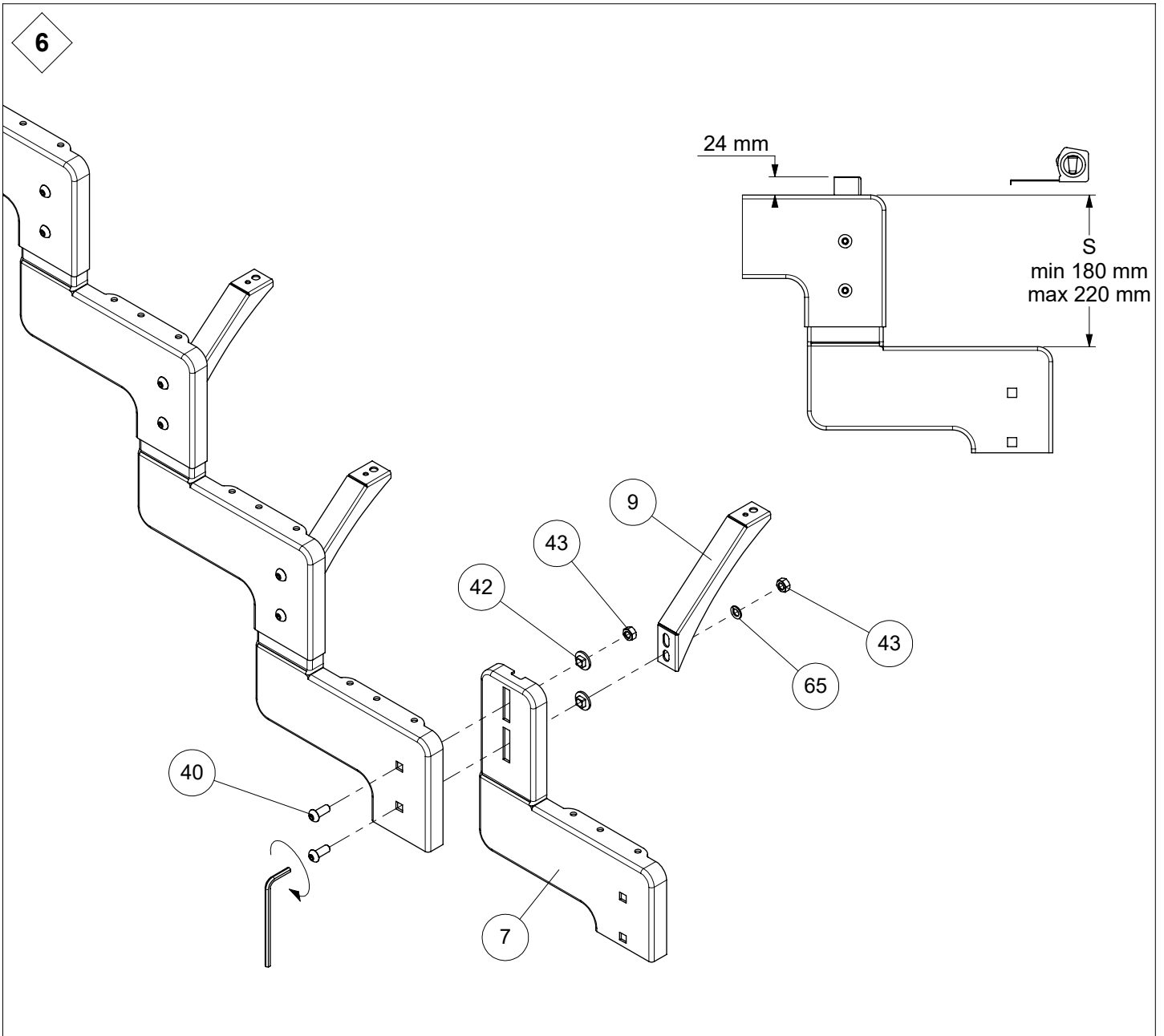


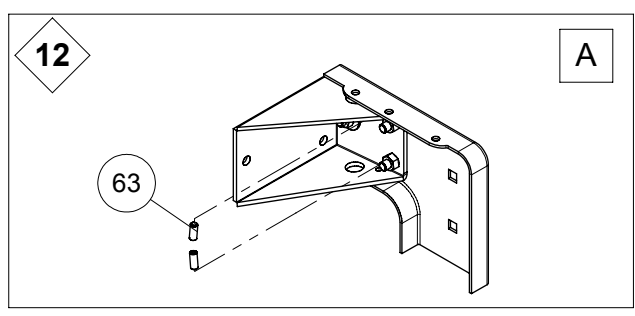
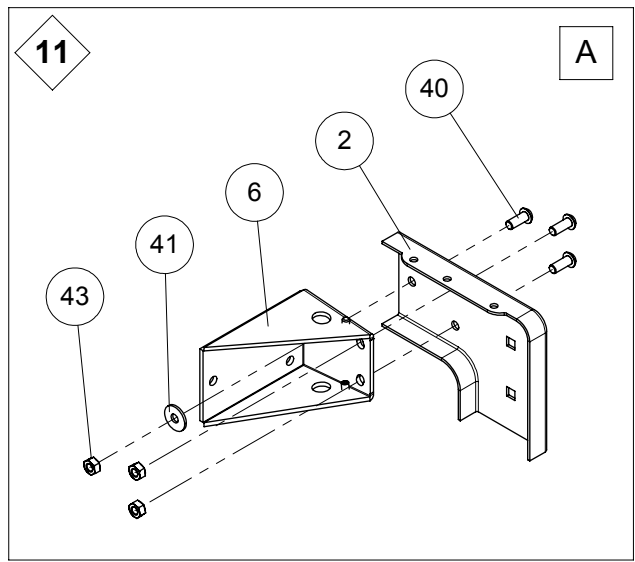
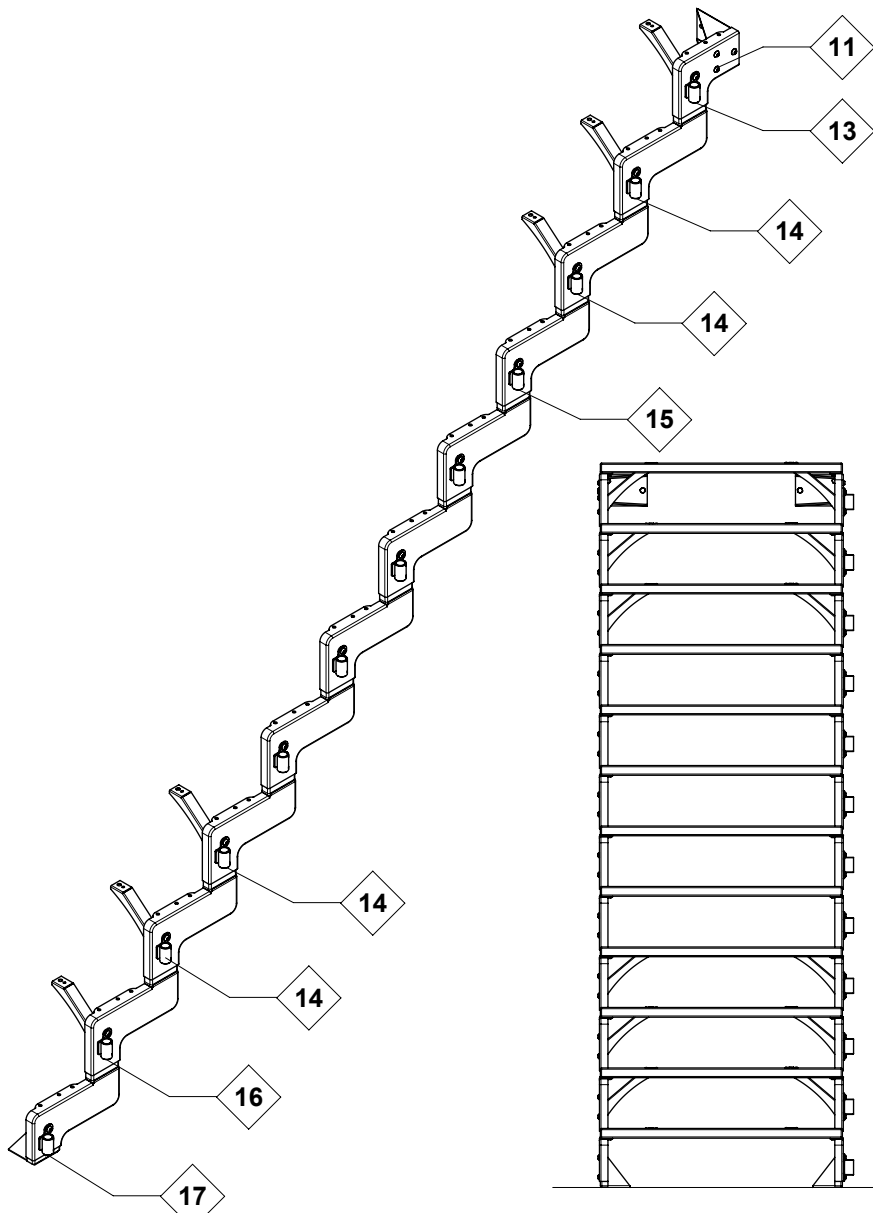
H	S				
mm	180	190	200	210	220
2	360	380	400	420	440
3	540	570	600	630	660
4	720	760	800	840	880
5	900	950	1000	1050	1100
6	1080	1140	1200	1260	1320
7	1260	1330	1400	1470	1540
8	1440	1520	1600	1680	1760
9	1620	1710	1800	1890	1980
10	1800	1900	2000	2100	2200
11	1980	2090	2200	2310	2420
12	2160	2280	2400	2520	2640

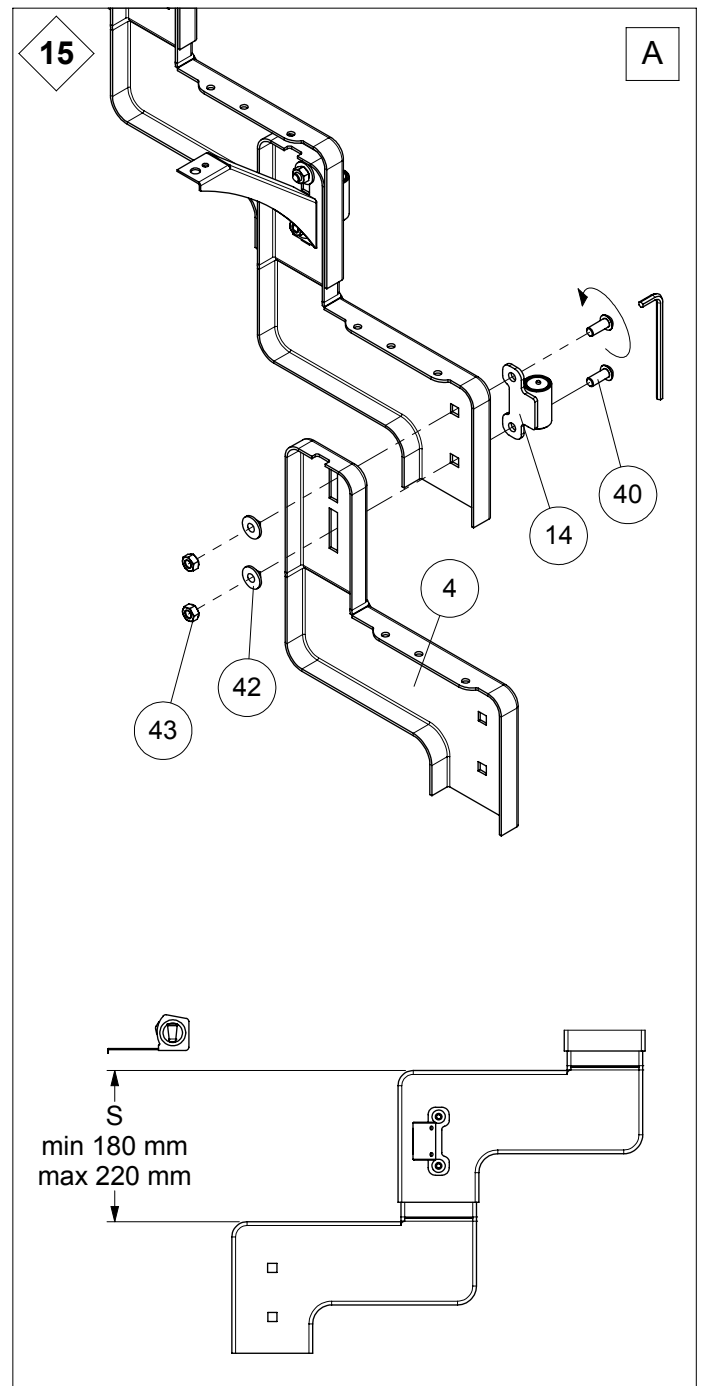
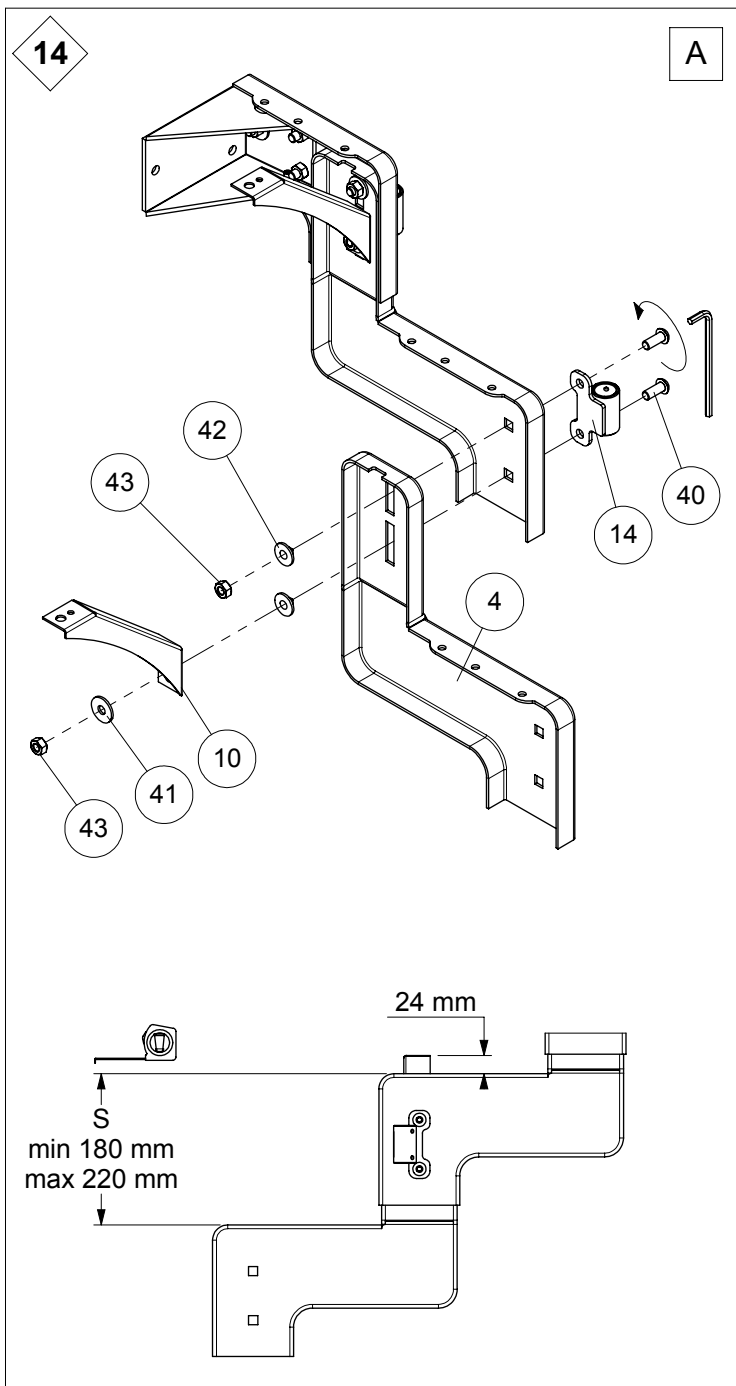
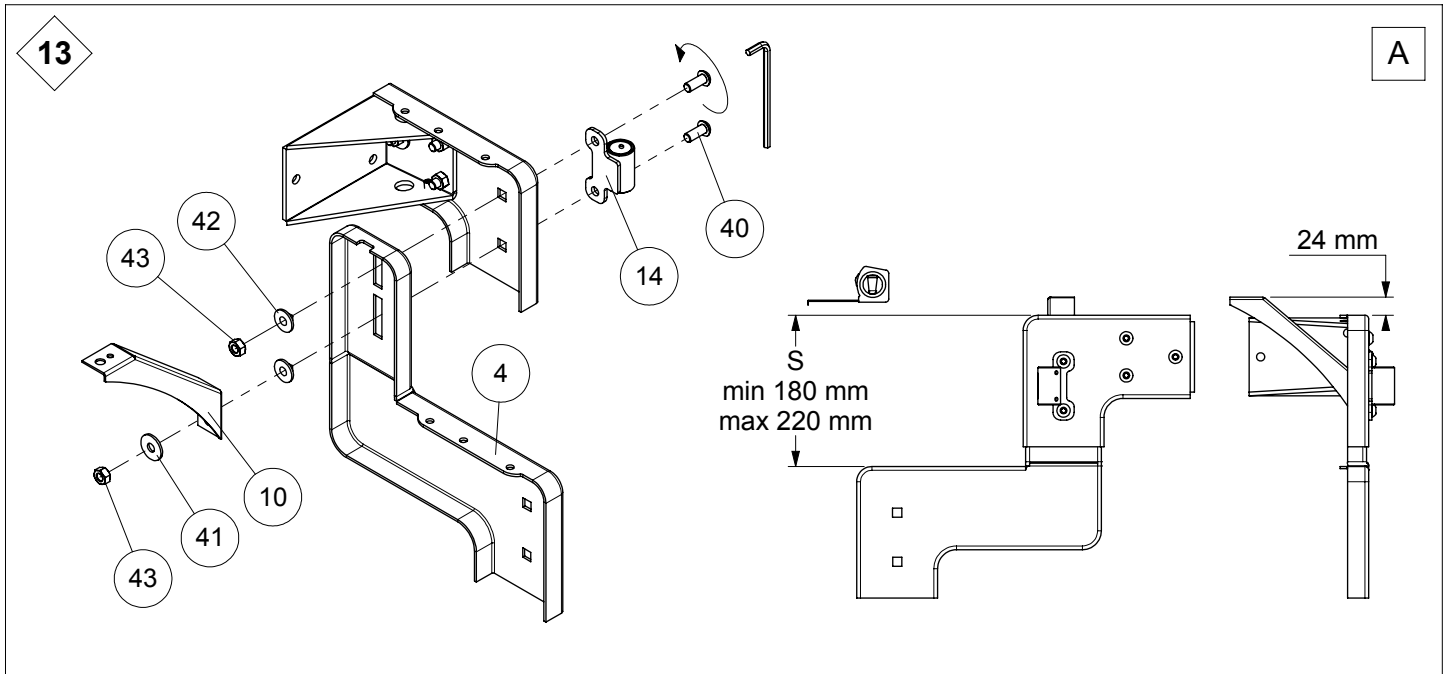






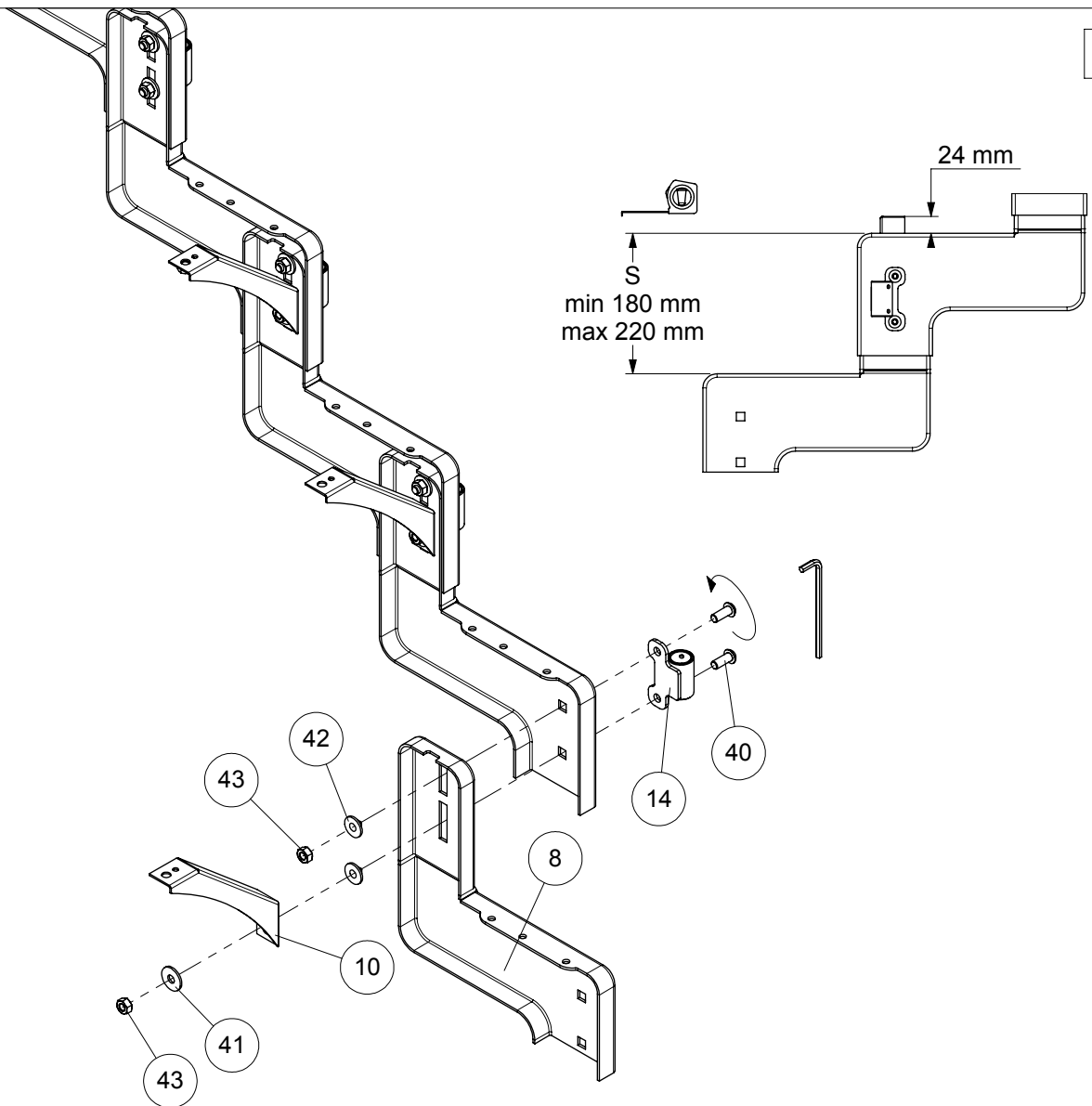






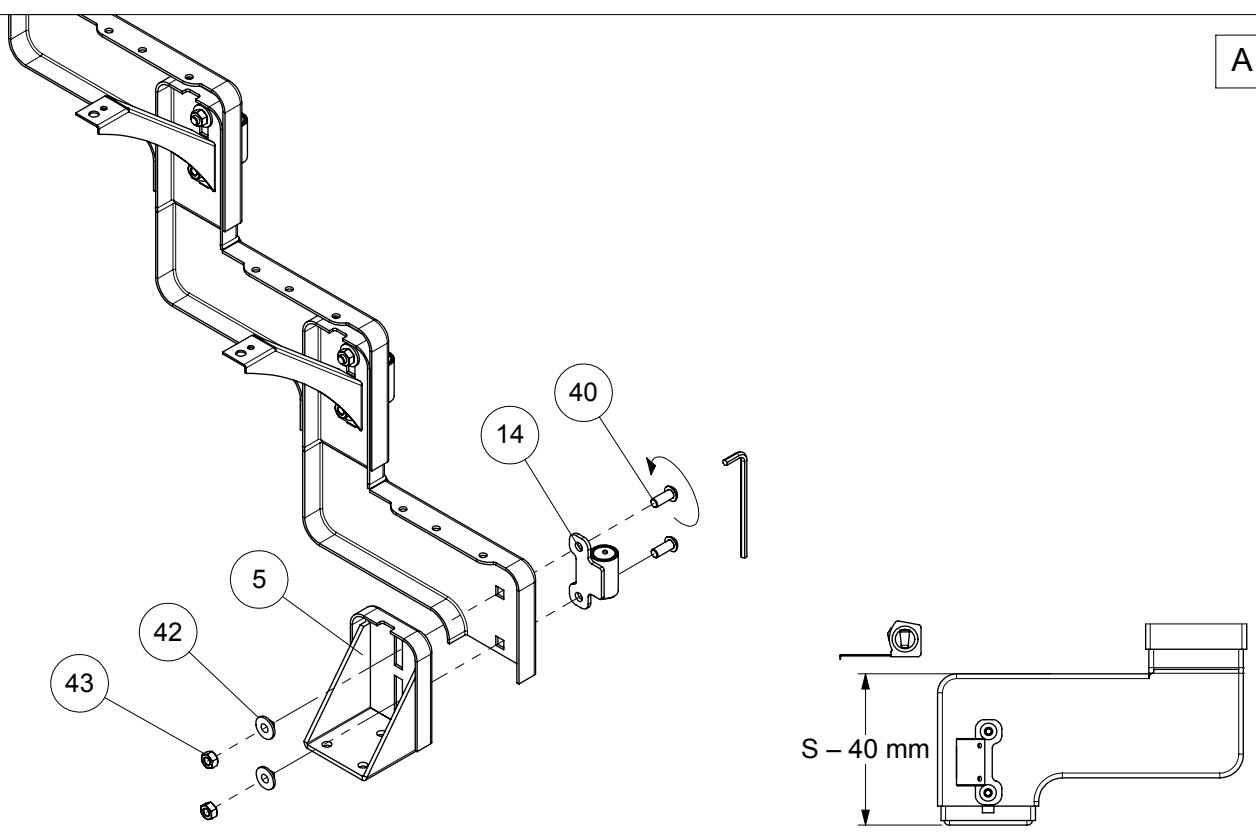
16

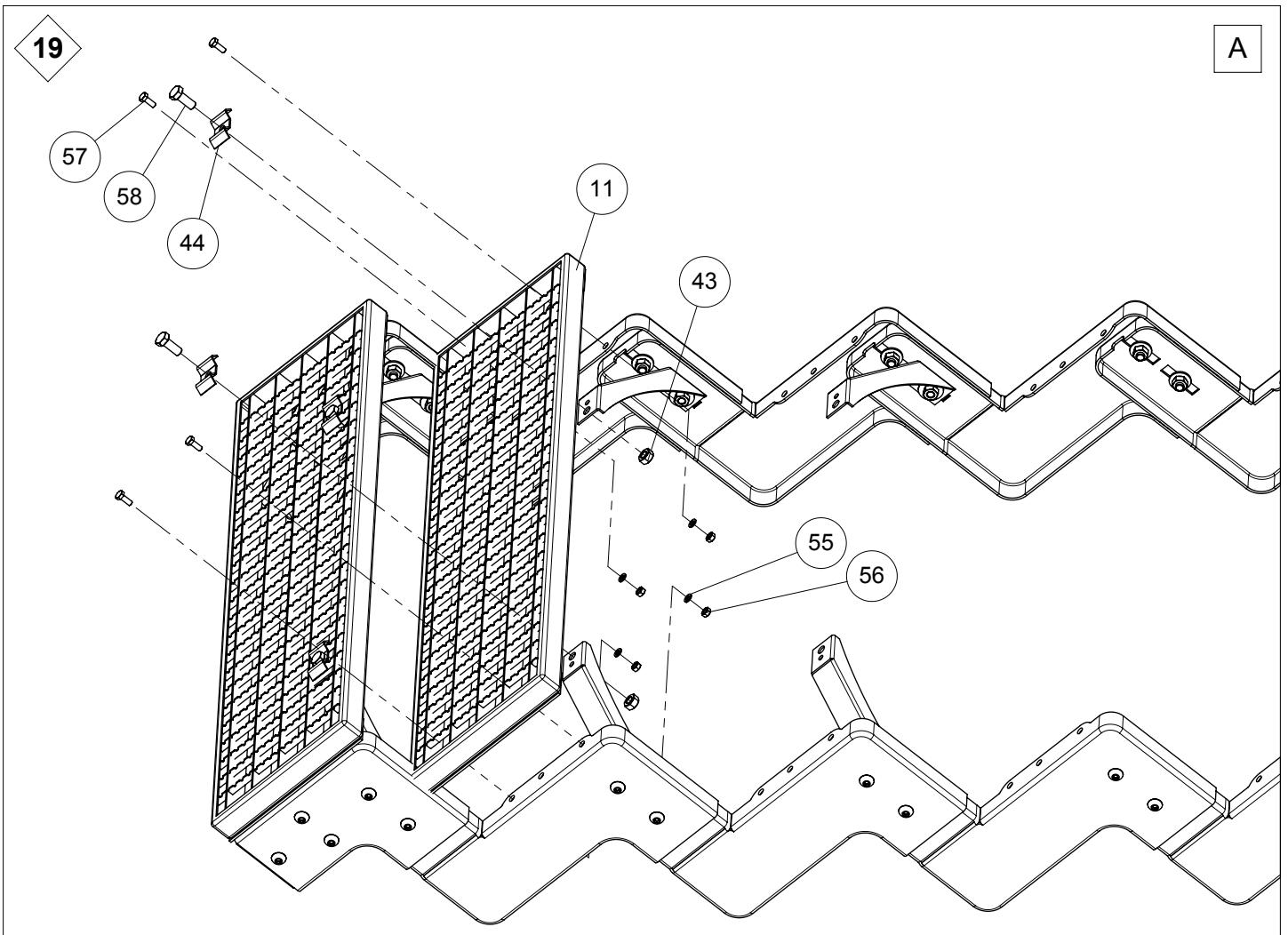
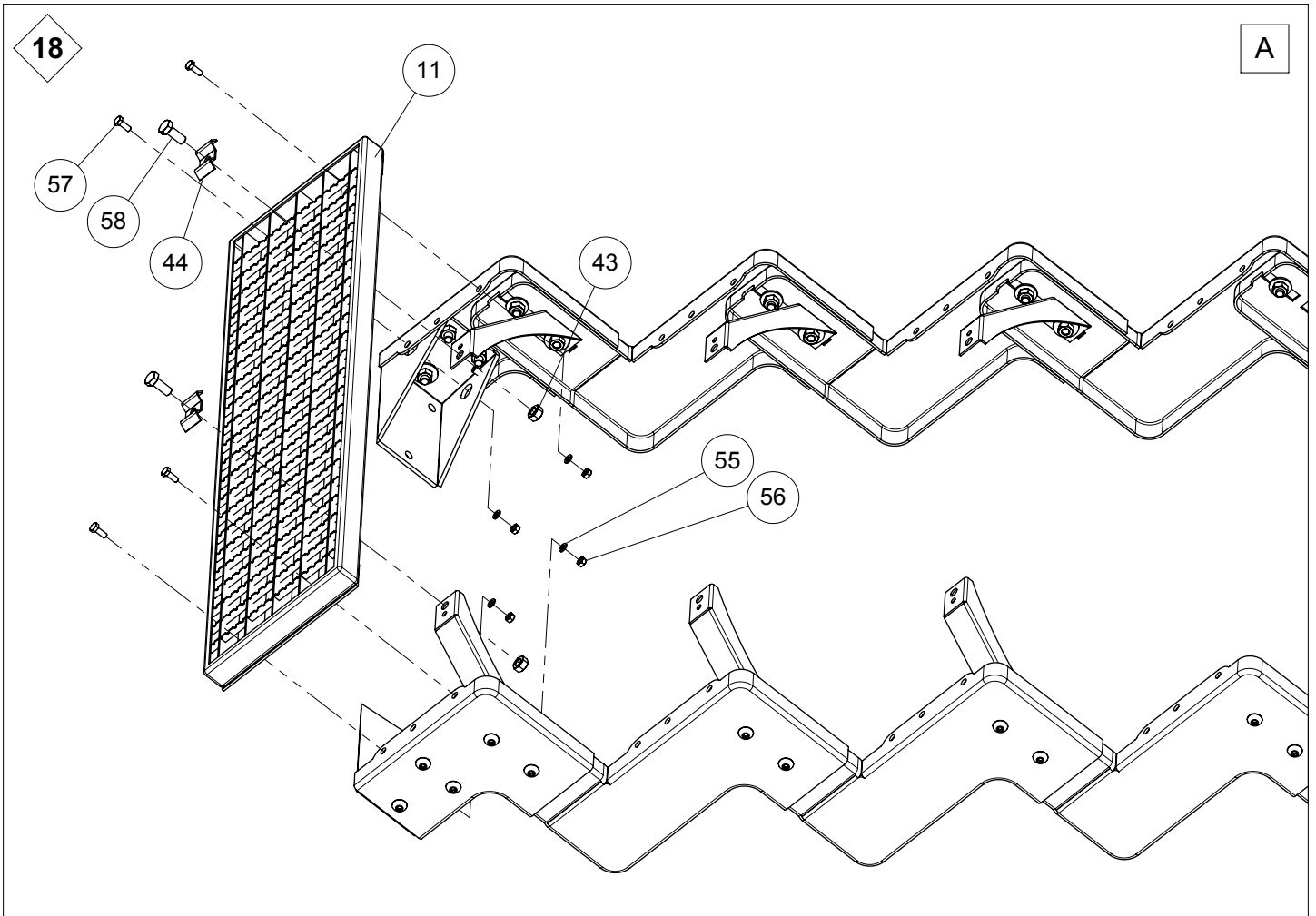
A



17

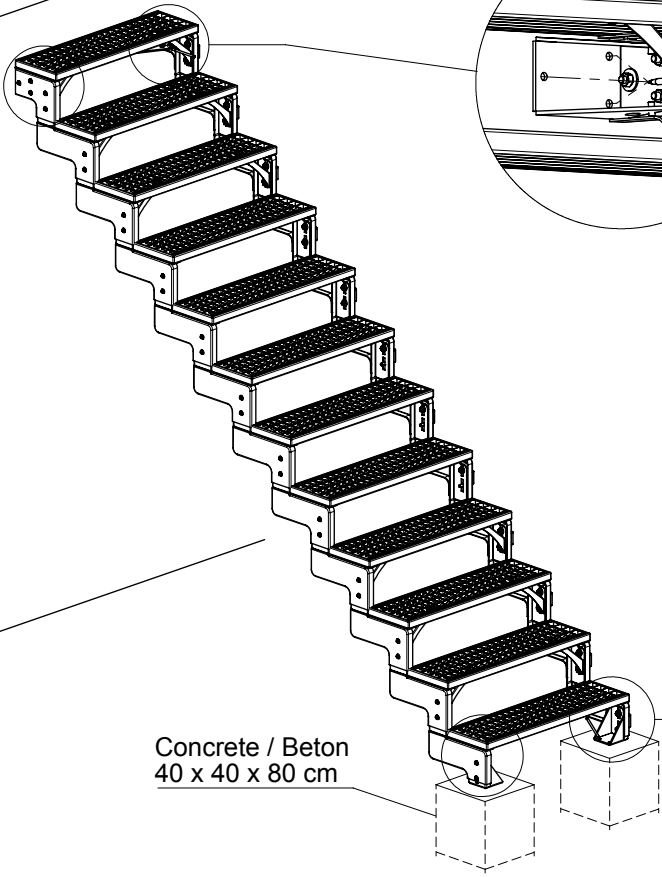
A



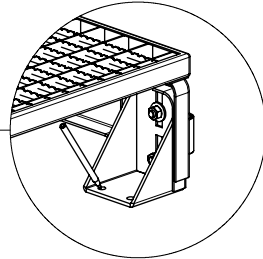
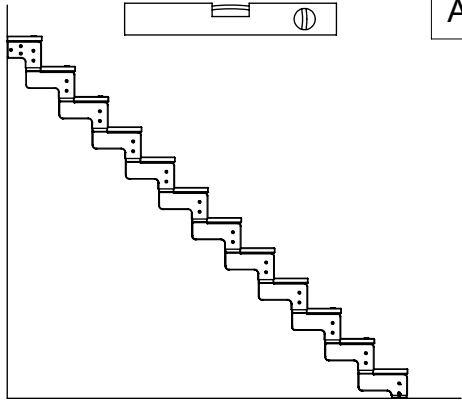


20

A



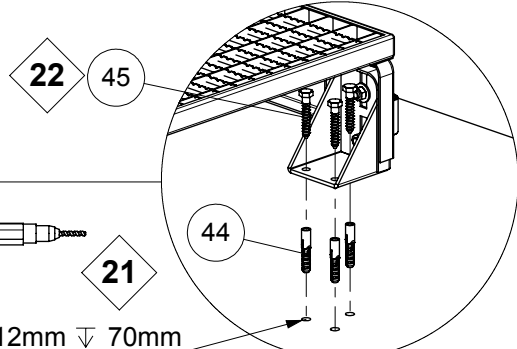
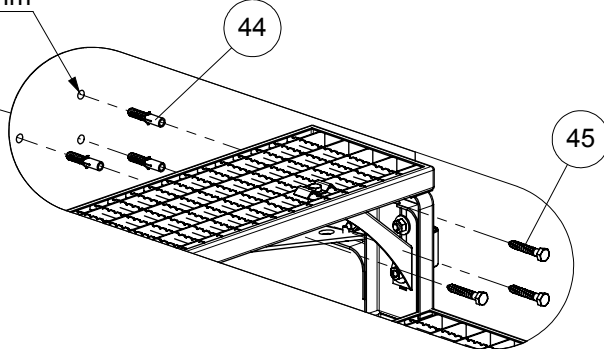
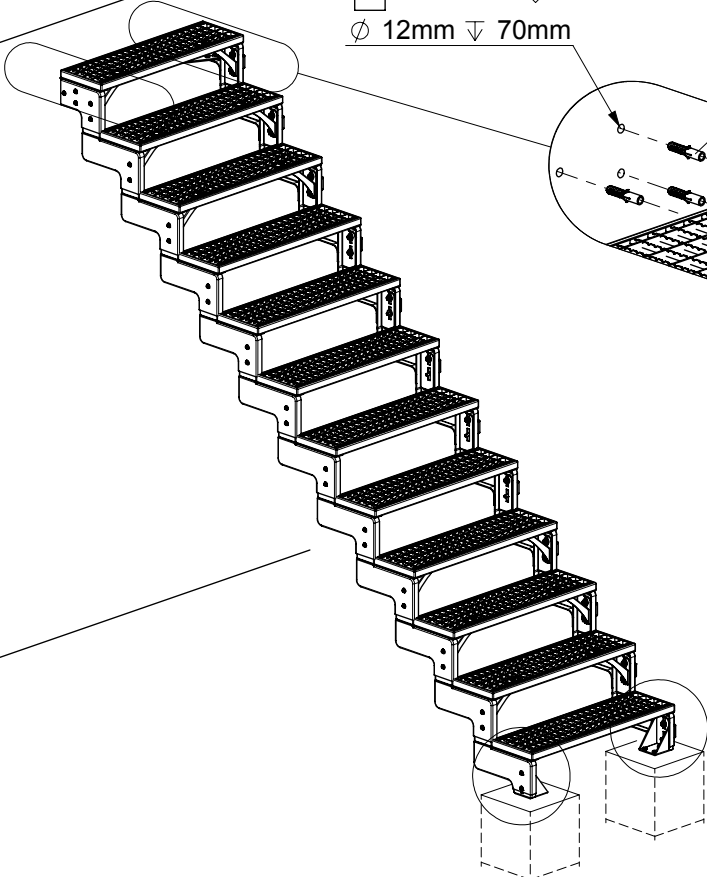
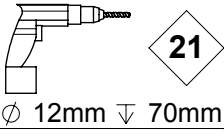
Concrete / Beton  
40 x 40 x 80 cm



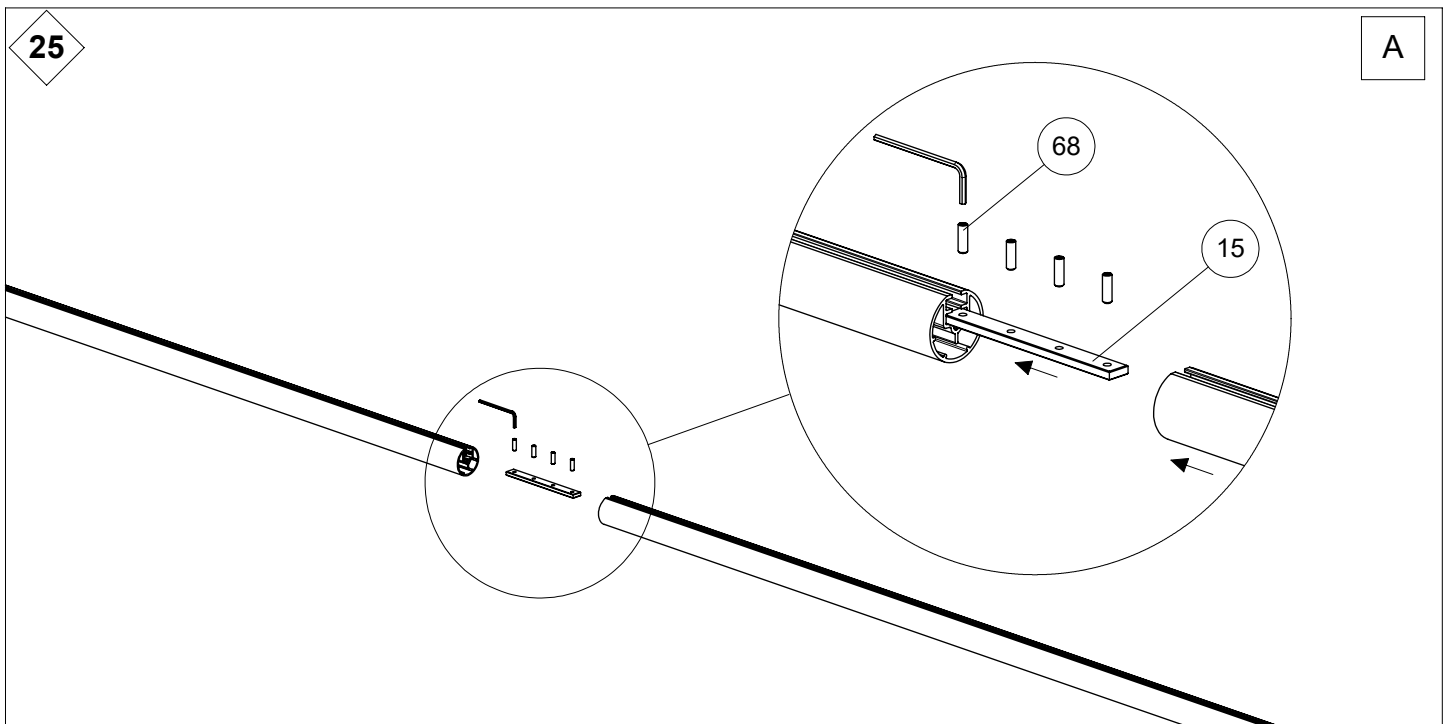
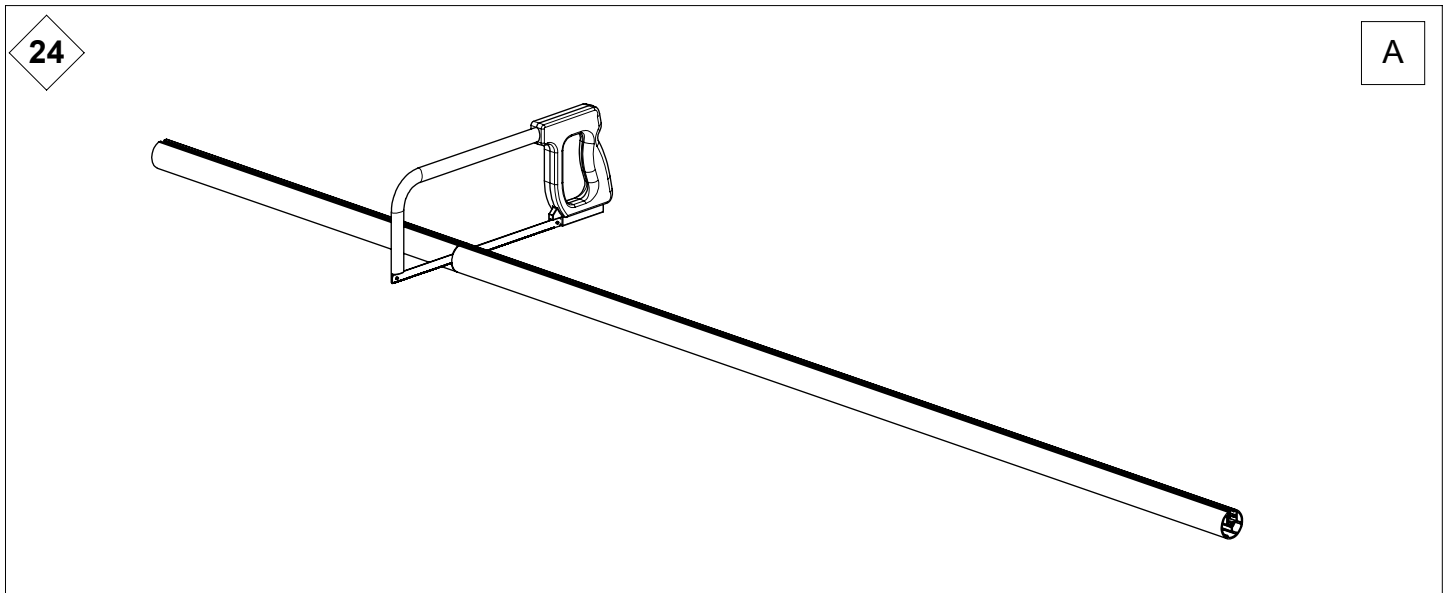
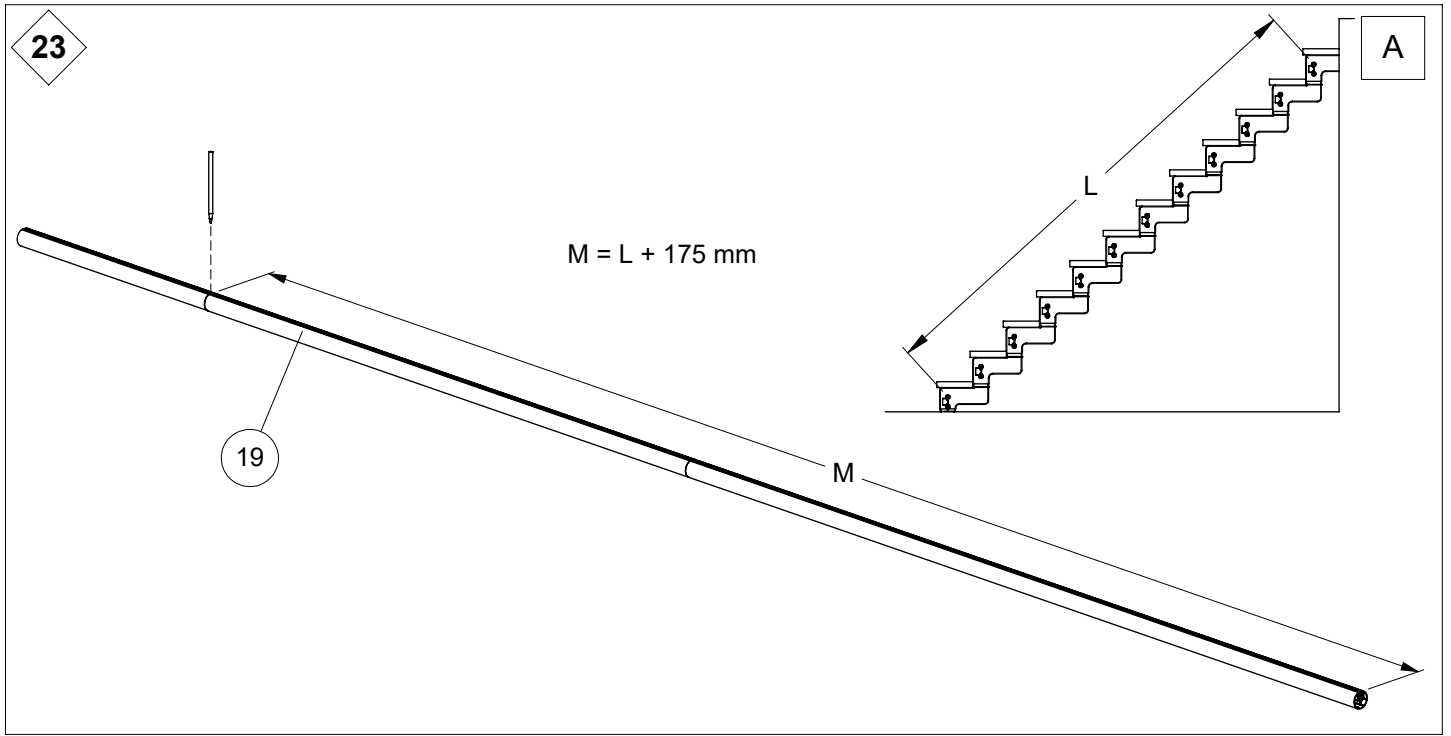
21

22

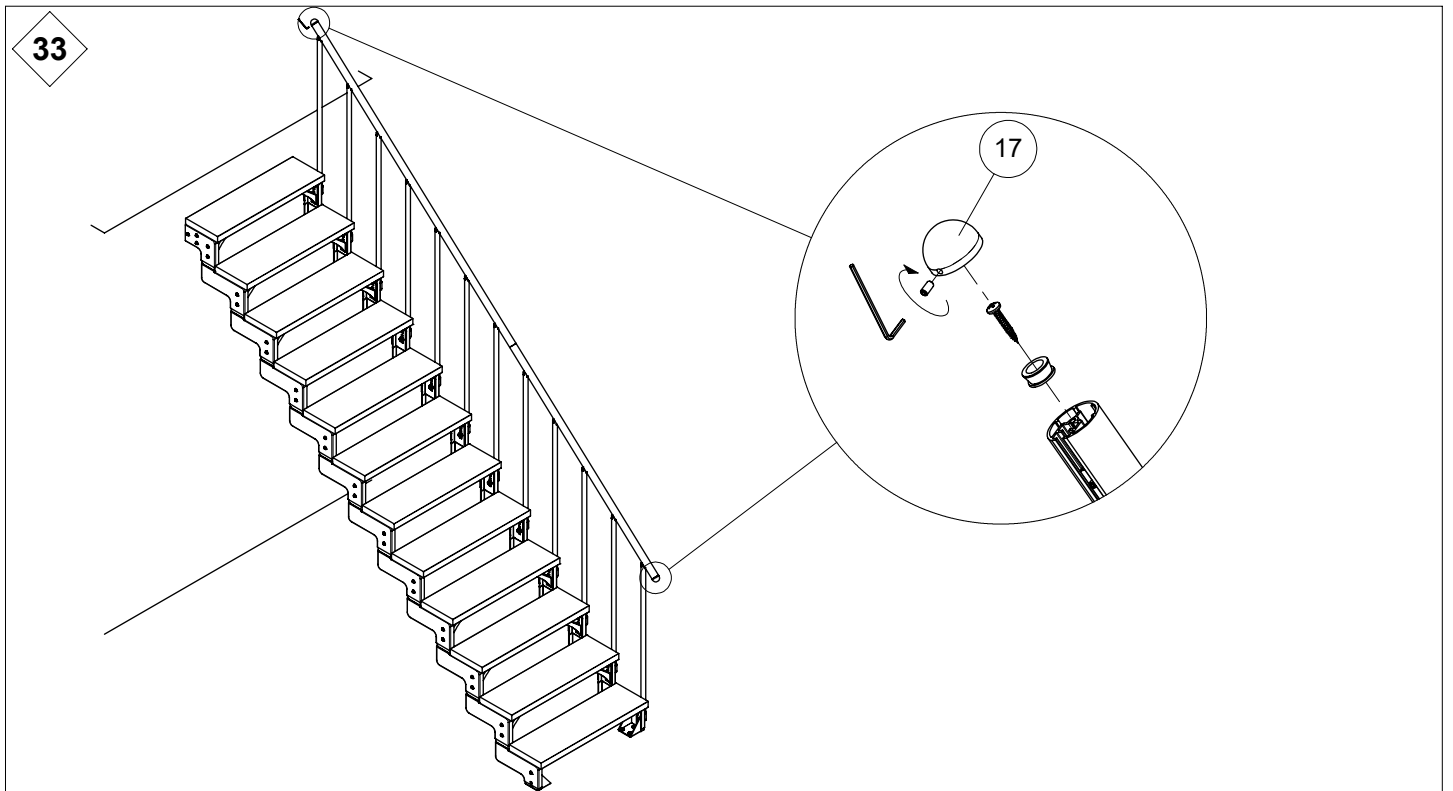
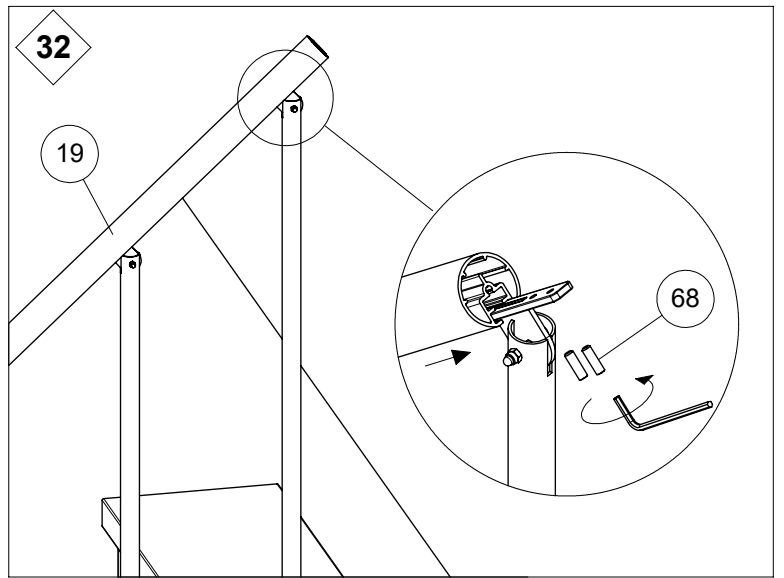
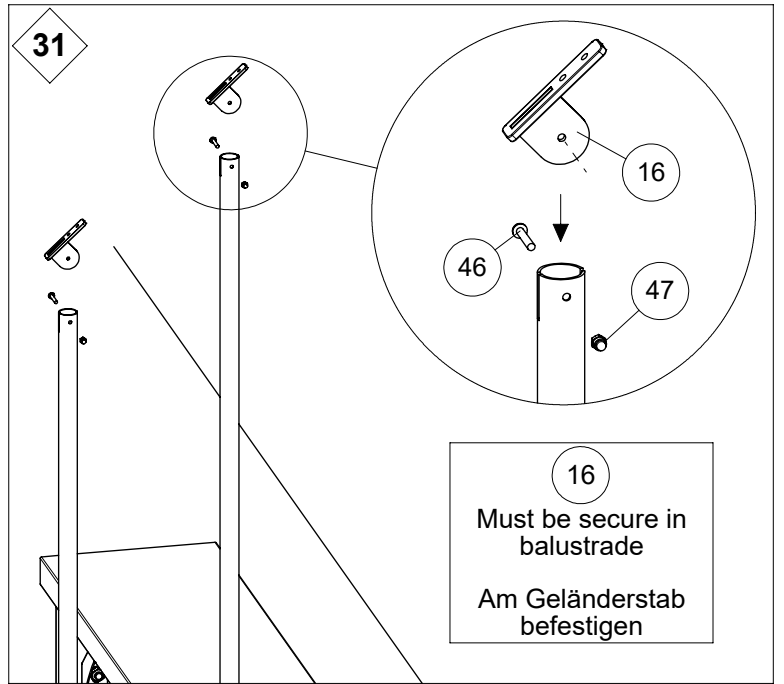
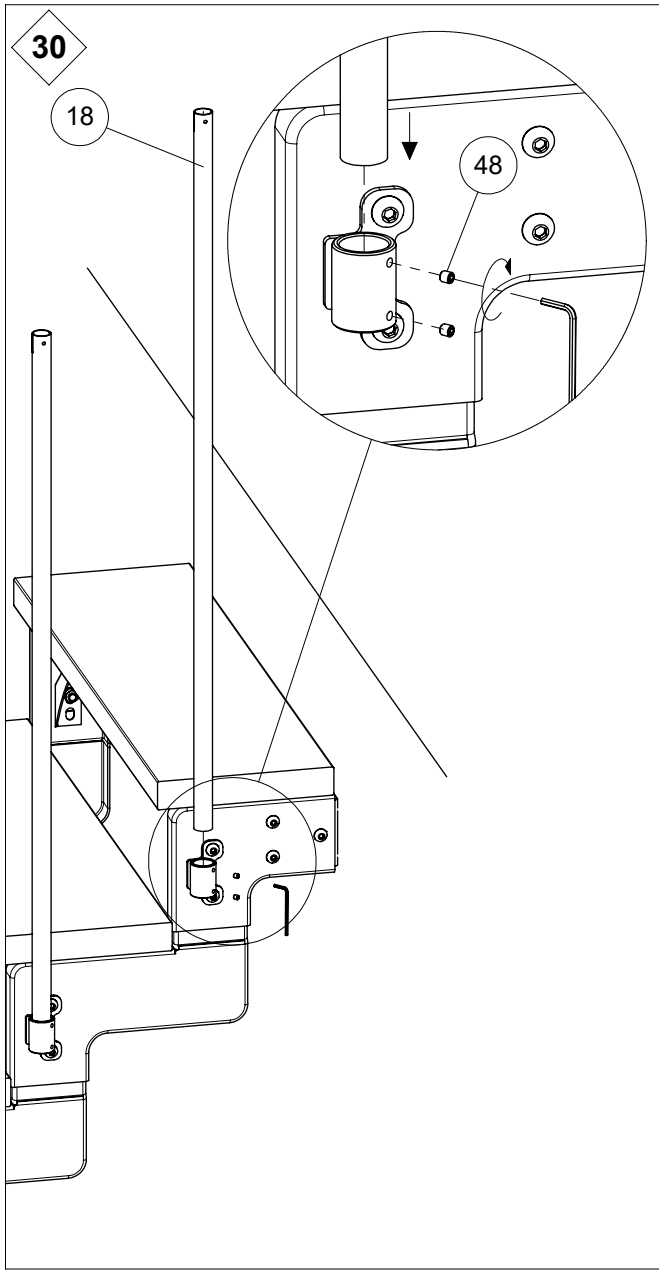
A

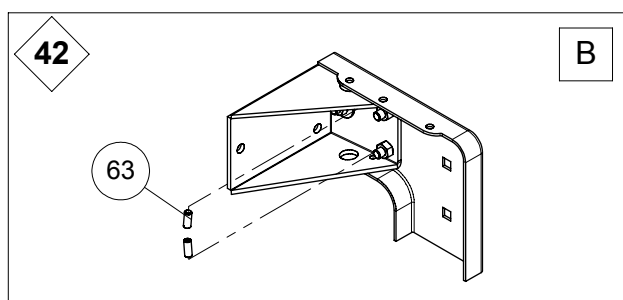
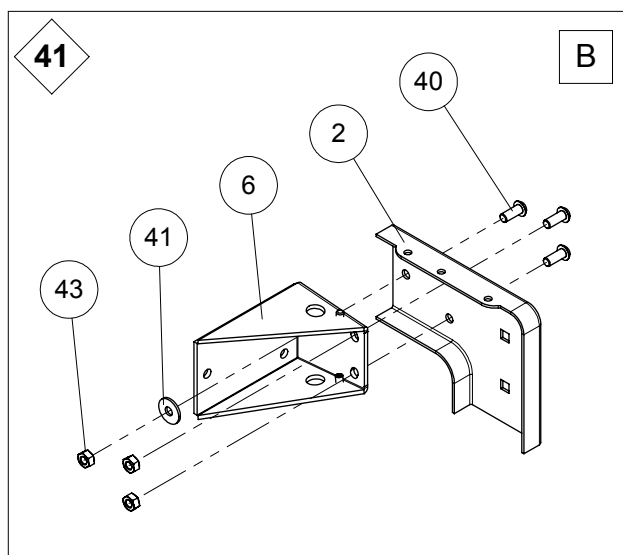
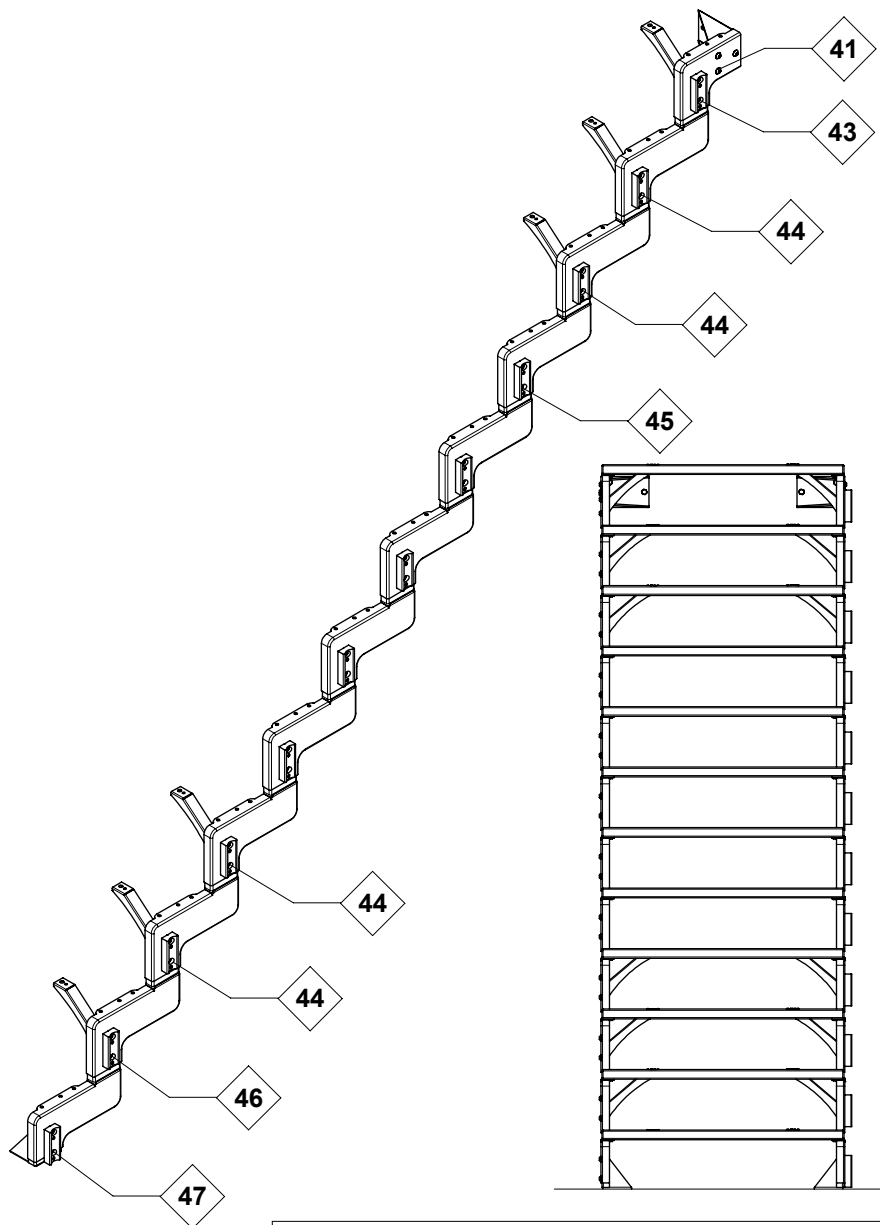


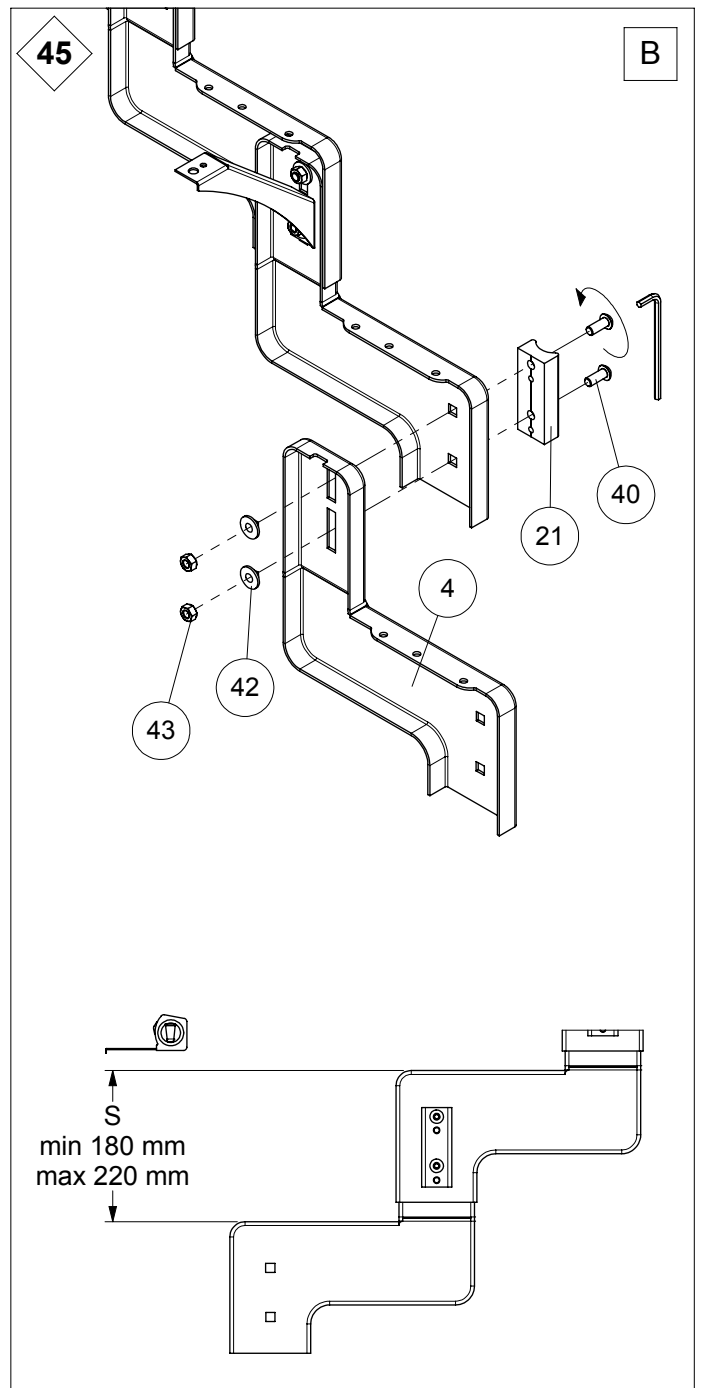
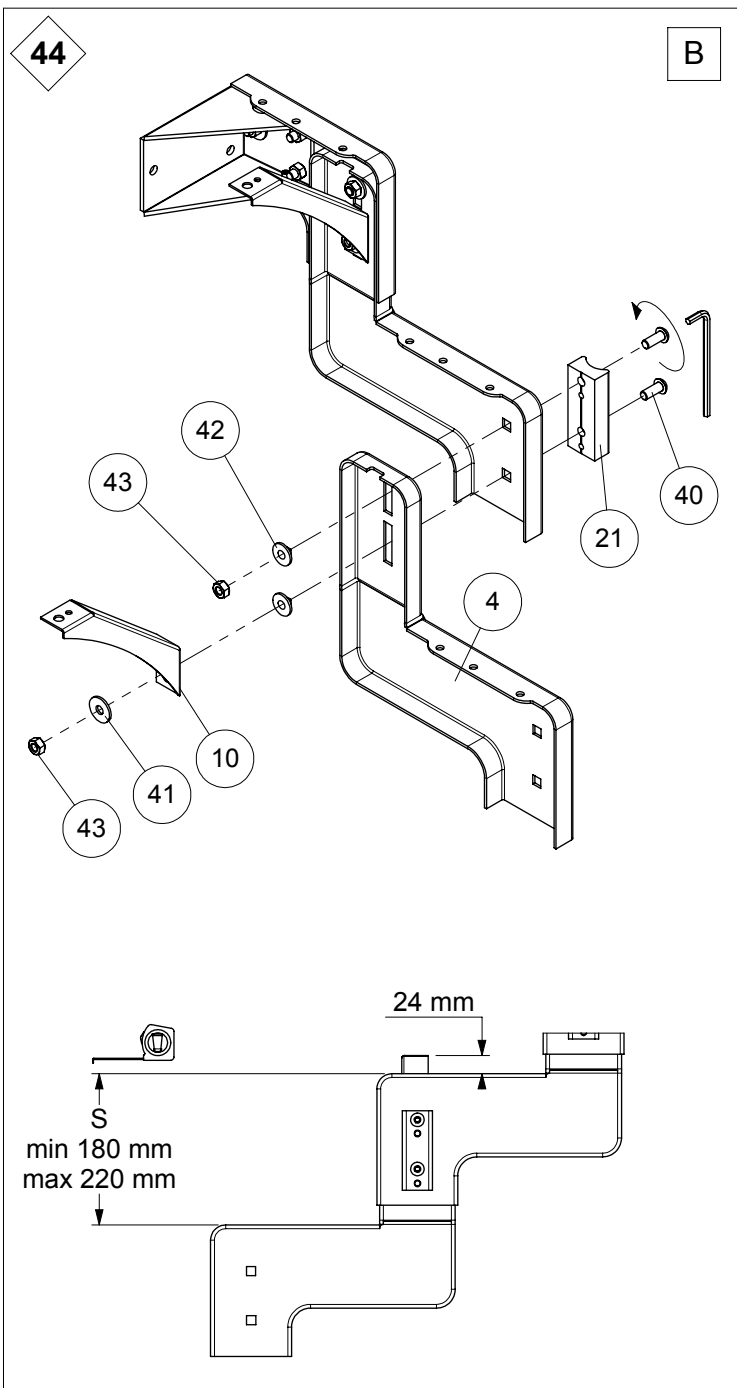
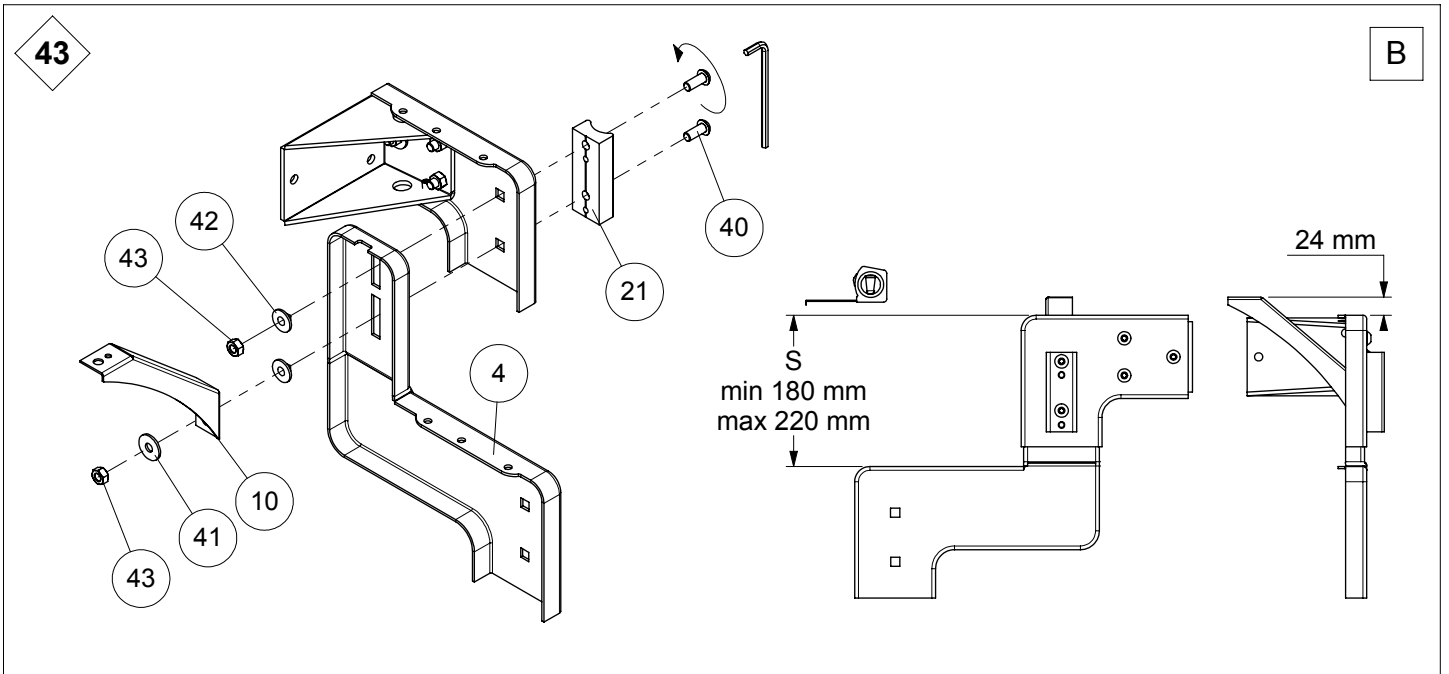
Ø 12mm ▽ 70mm





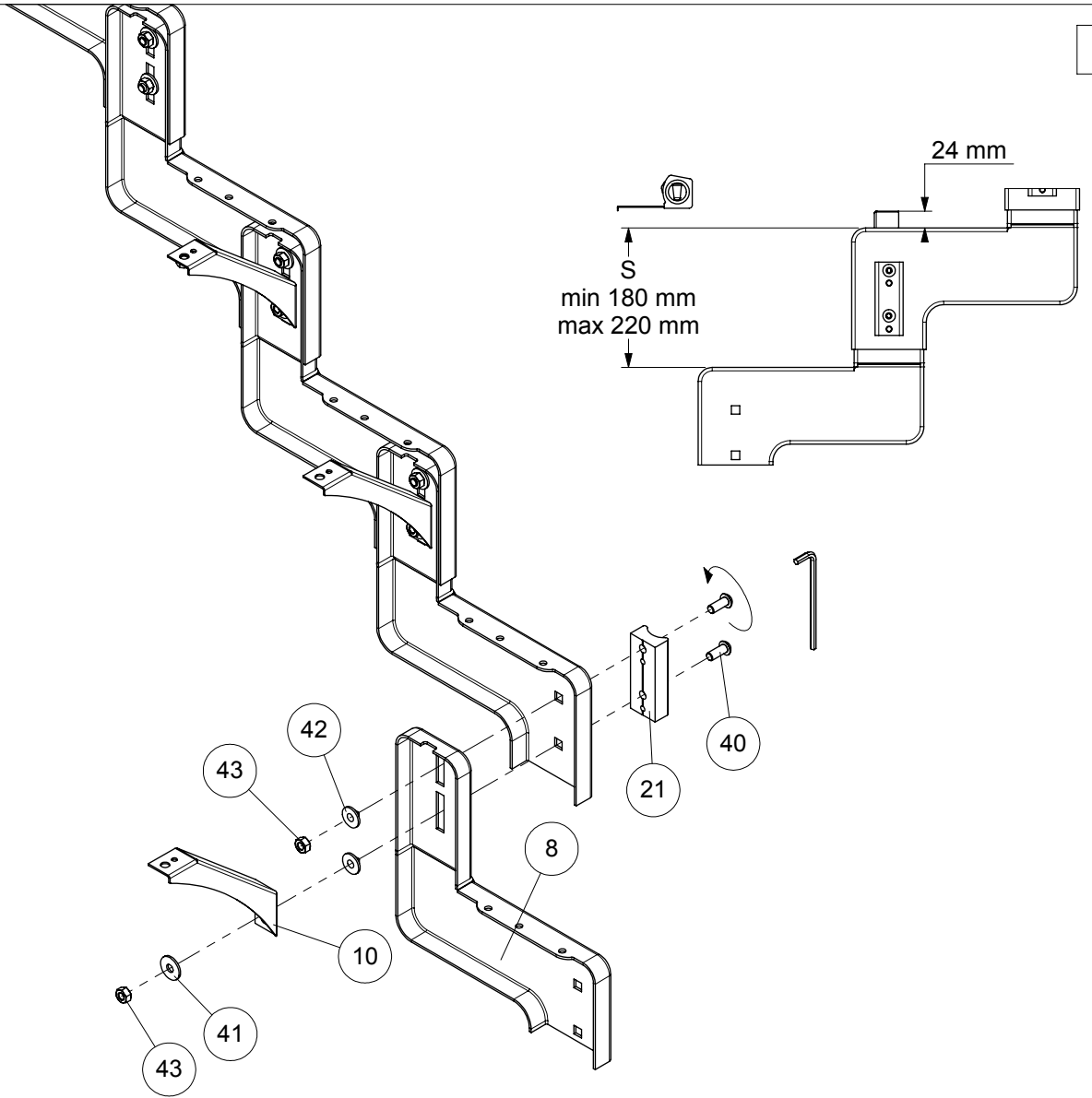






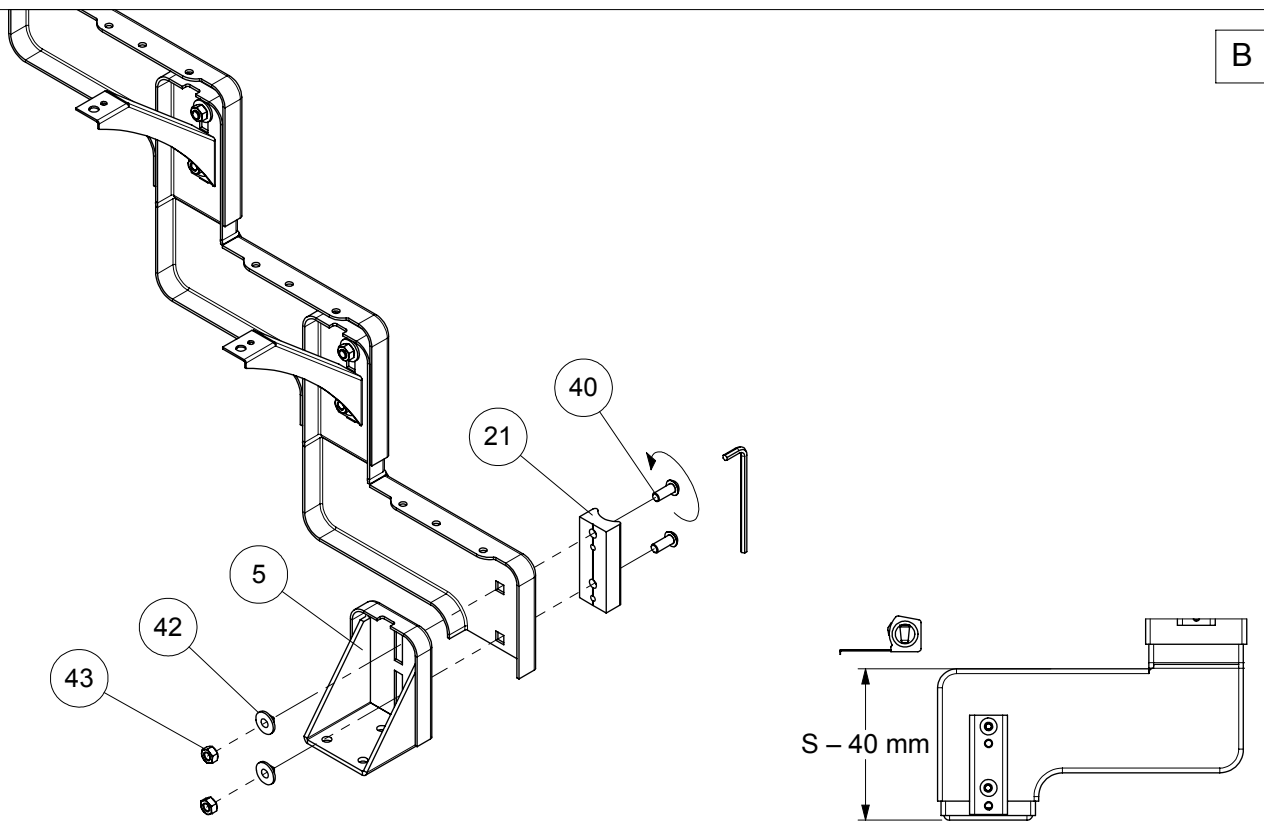
46

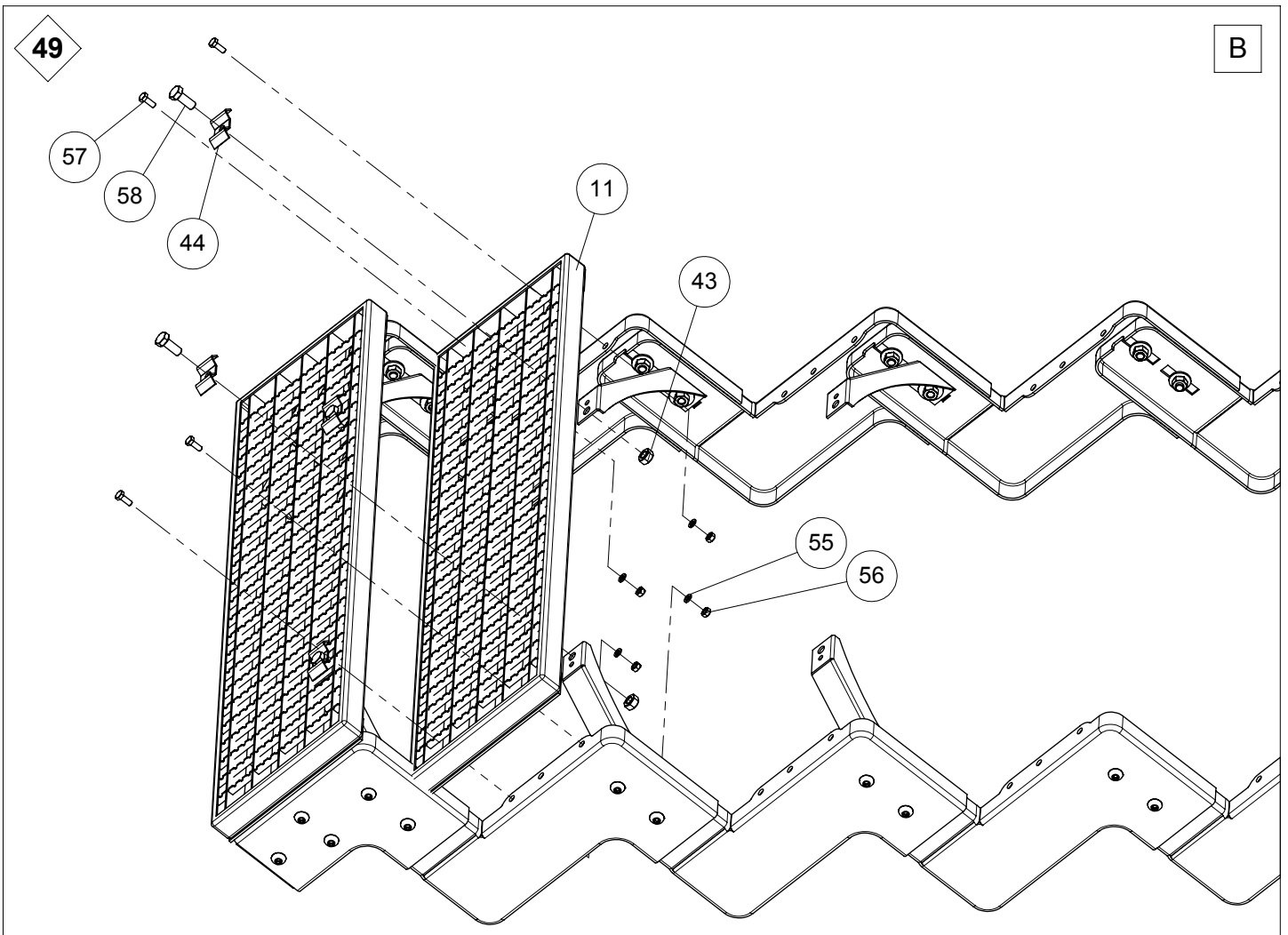
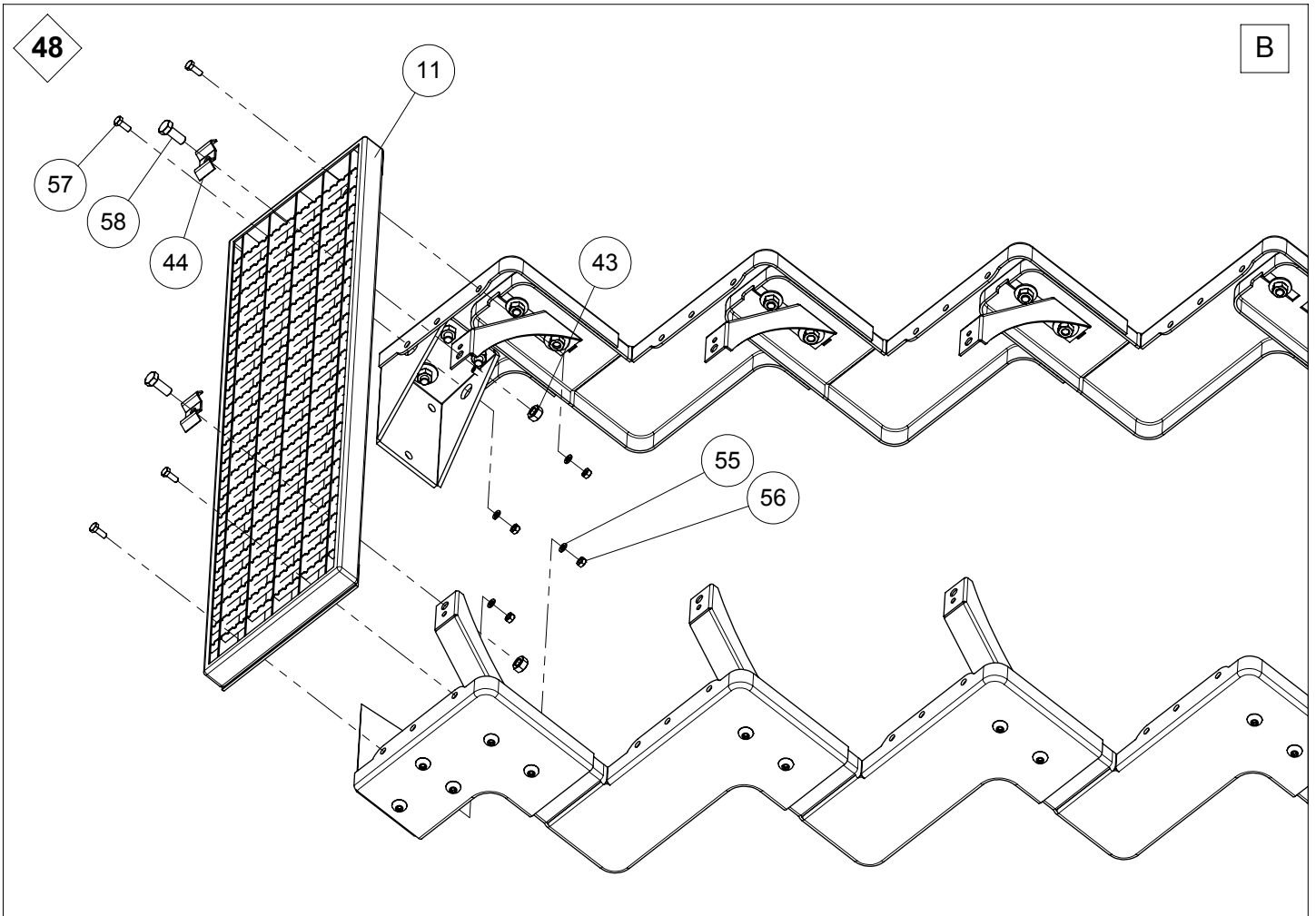
B



47

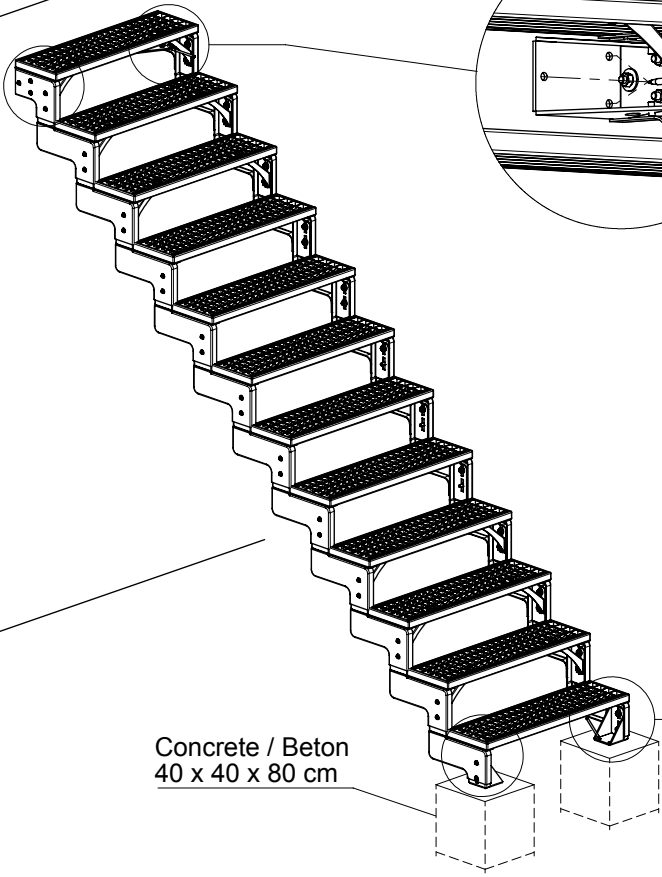
B



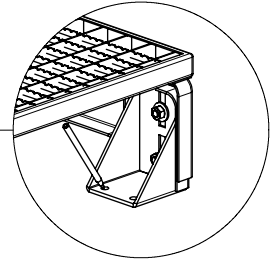
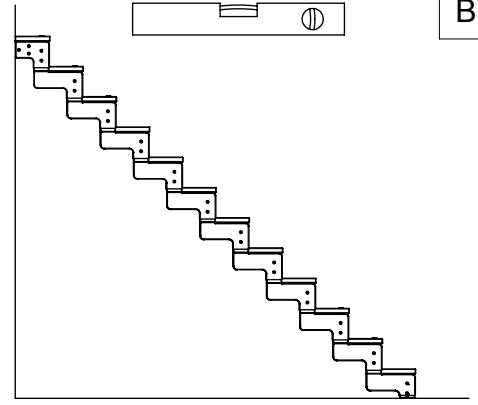


50

B



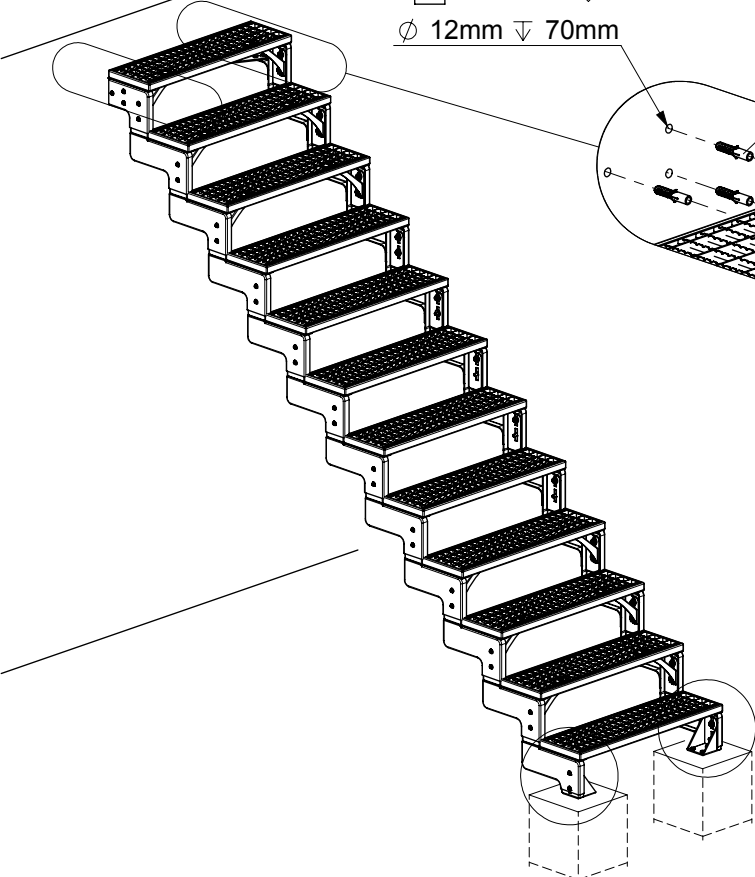
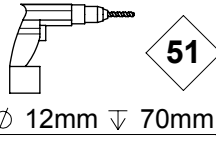
Concrete / Beton  
40 x 40 x 80 cm



51

52

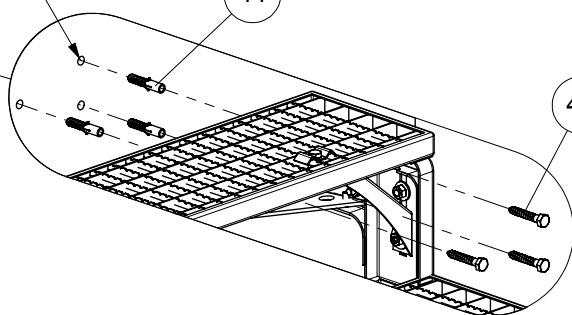
B



51

Ø 12mm ▽ 70mm

44

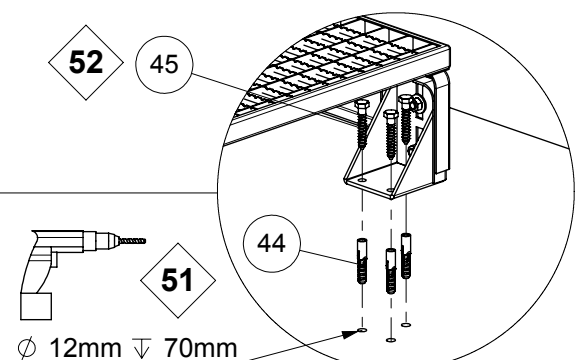


45

52

52

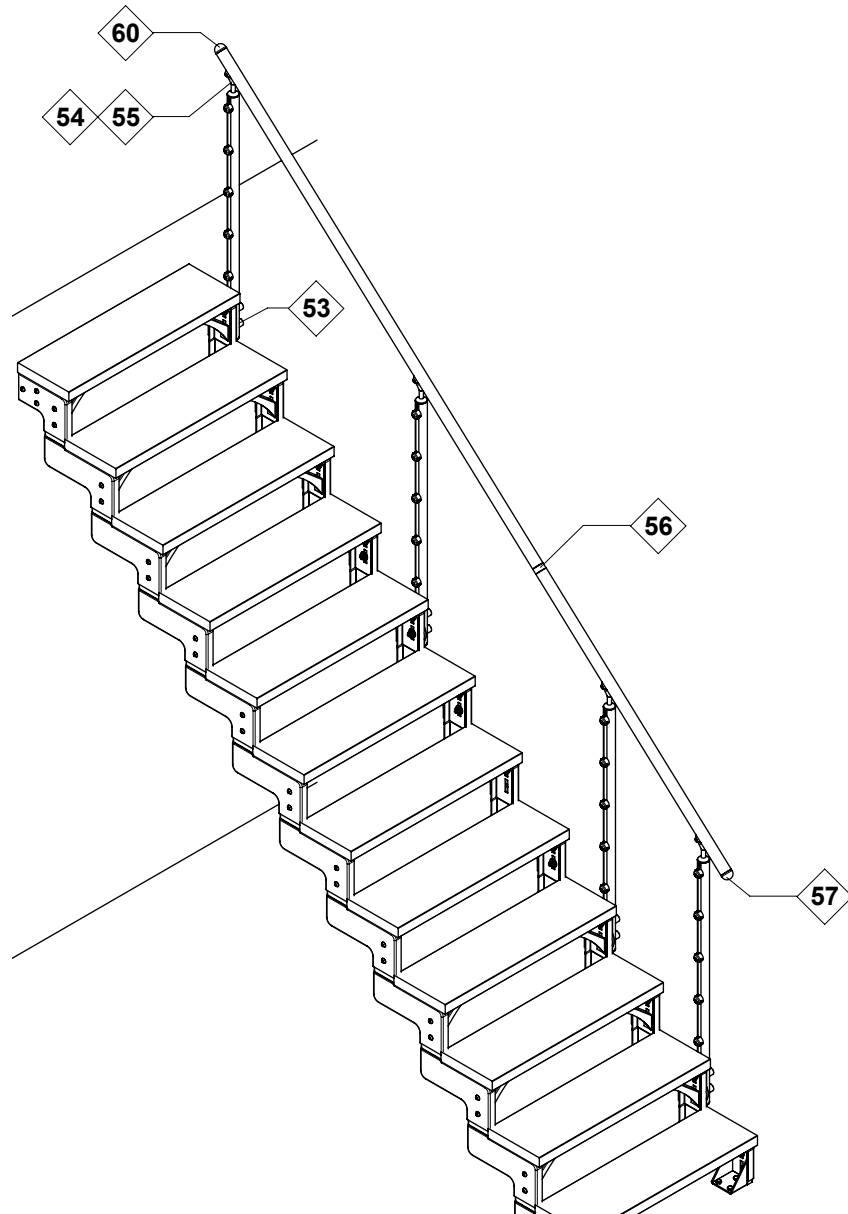
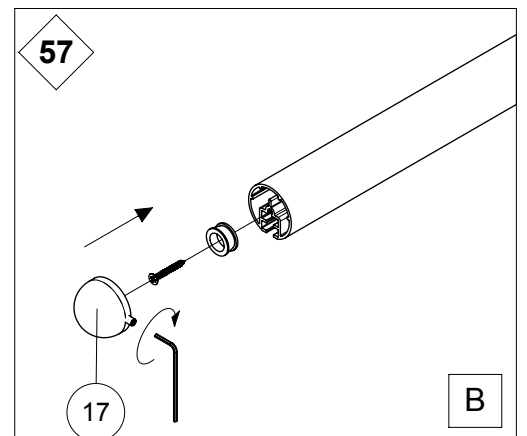
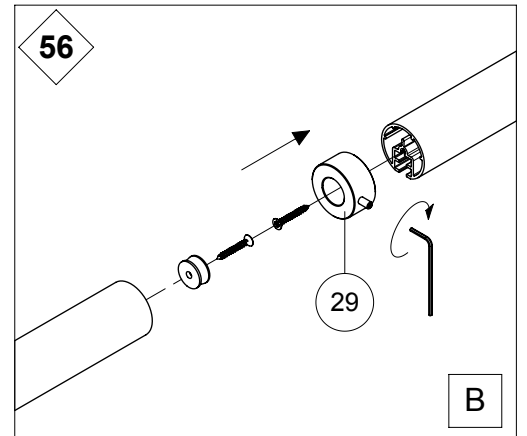
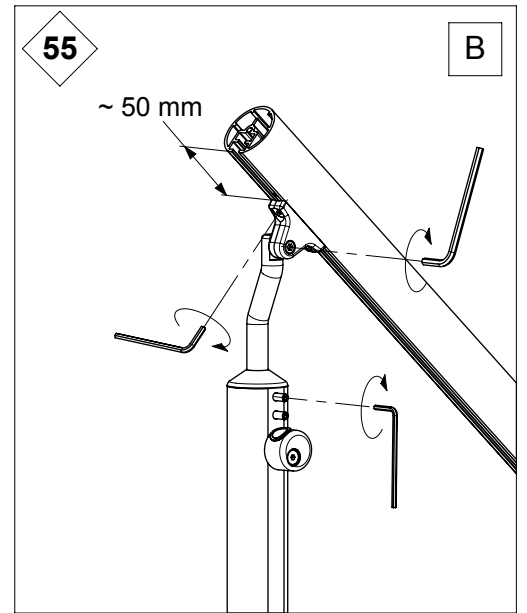
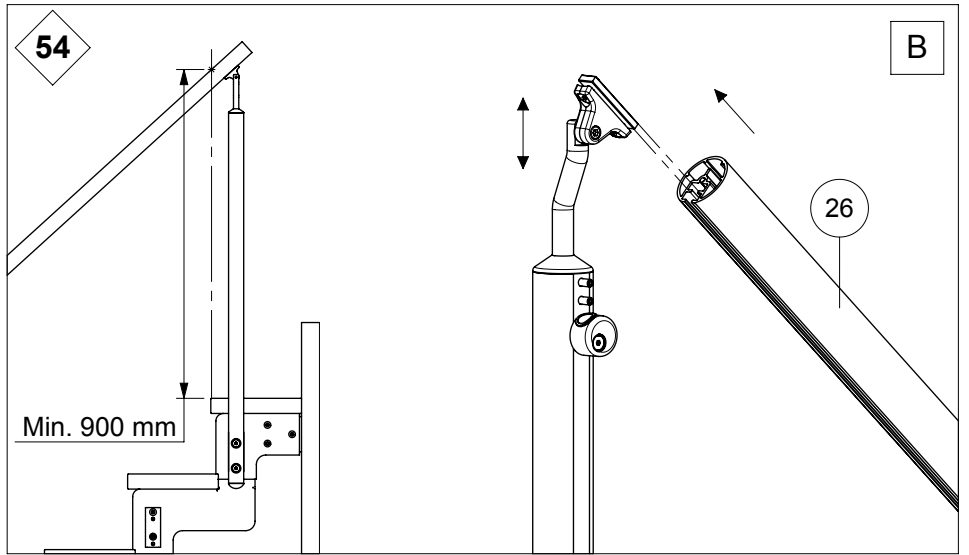
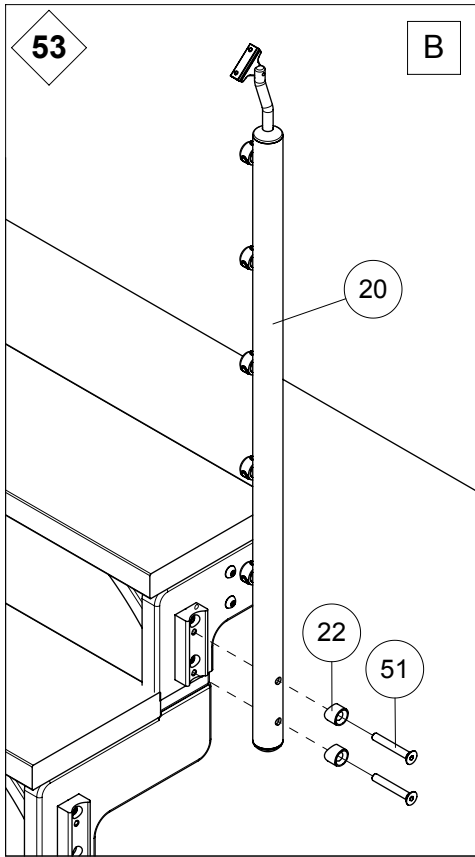
45

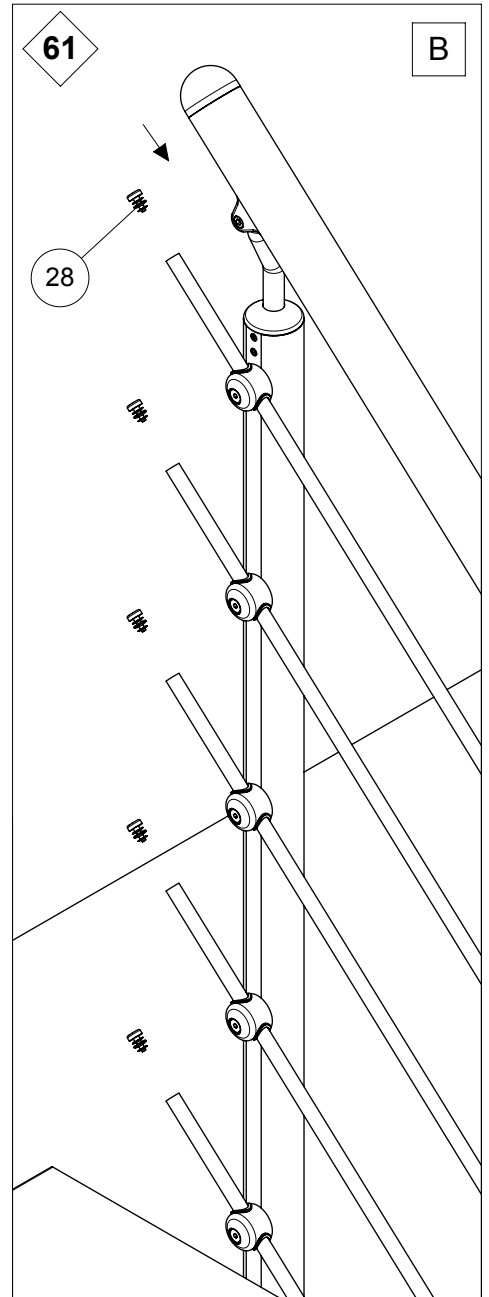
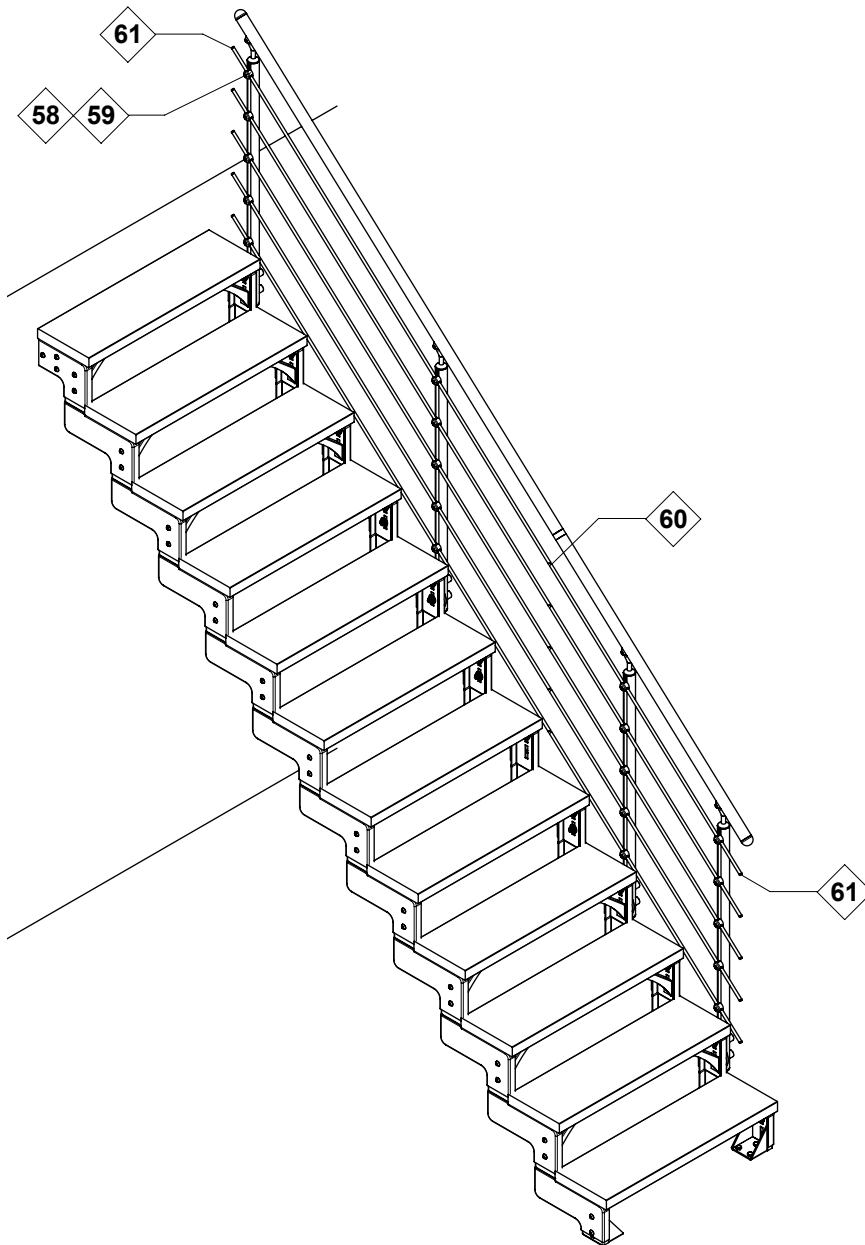
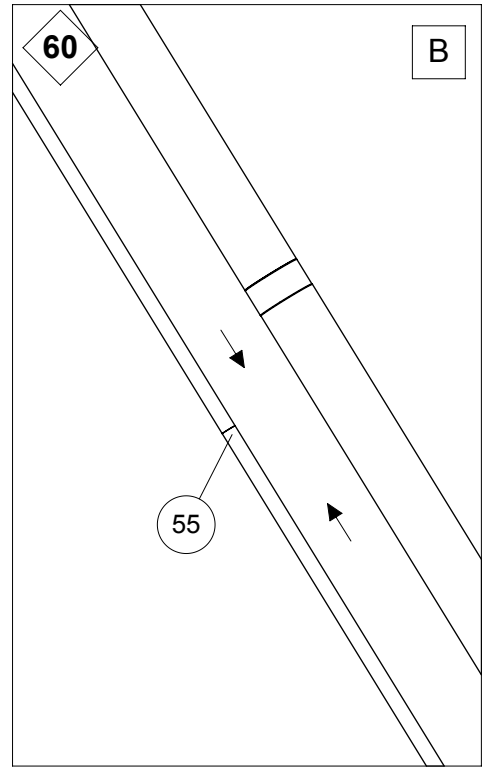
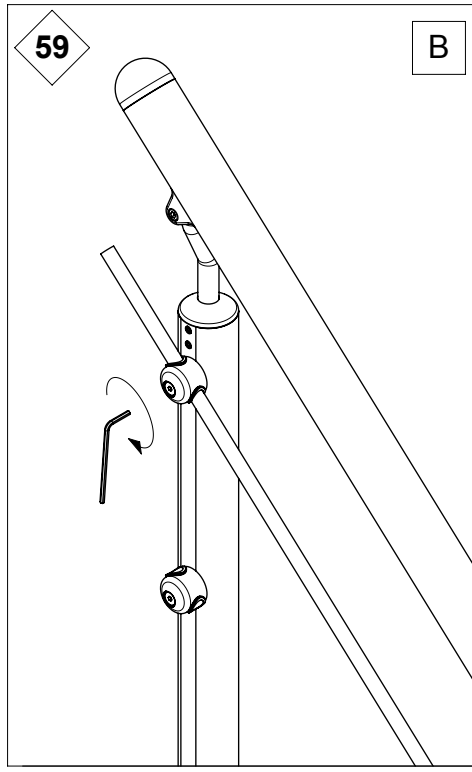
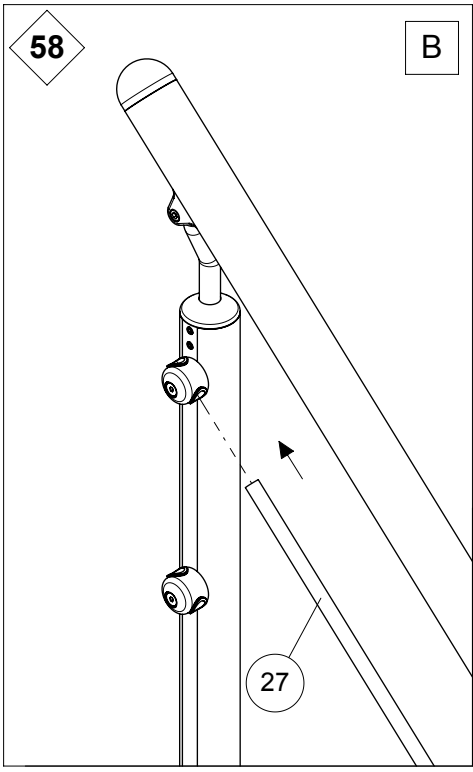


44

51

Ø 12mm ▽ 70mm









We recommend  
using a support  
column from 8 treads  
and if  $W = 100$  cm

Ab 8 Stufen und  $W =$   
100 cm empfehlen  
wir eine Abstützung  
der Treppe

