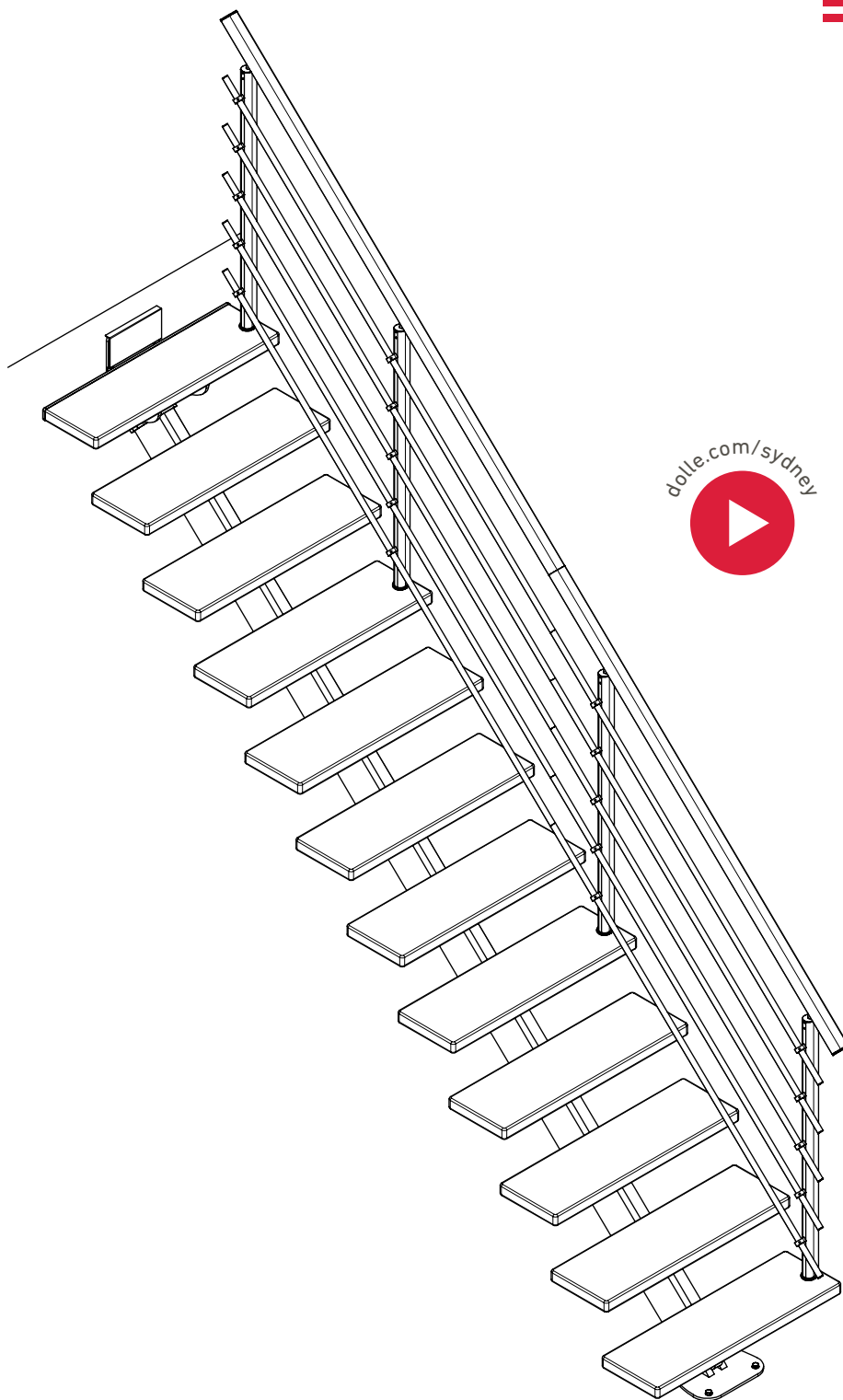


**DOLLE**<sup>®</sup>



[dolle.com/sydney](https://dolle.com/sydney)

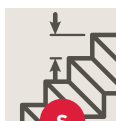
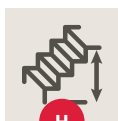
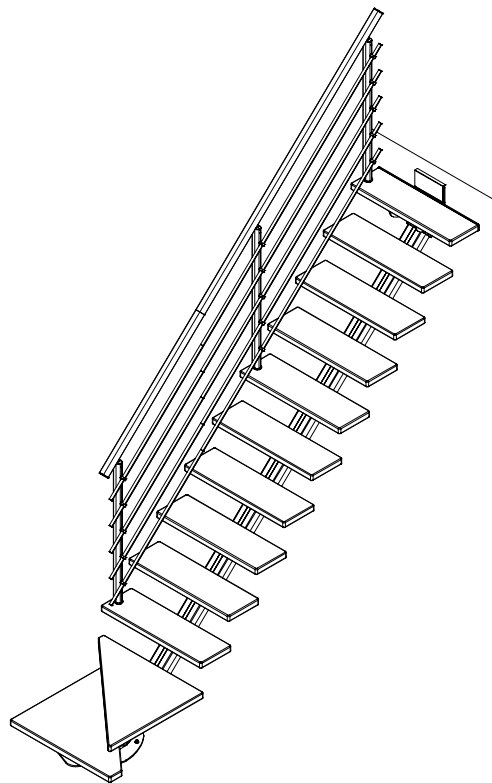
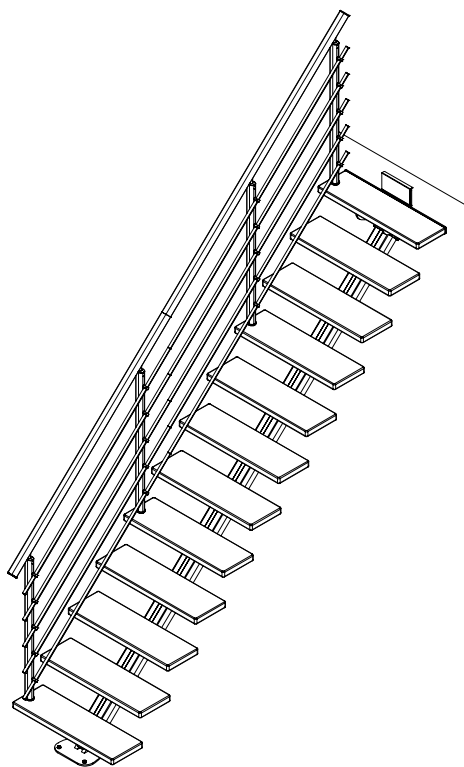


**PURE BANISTER**

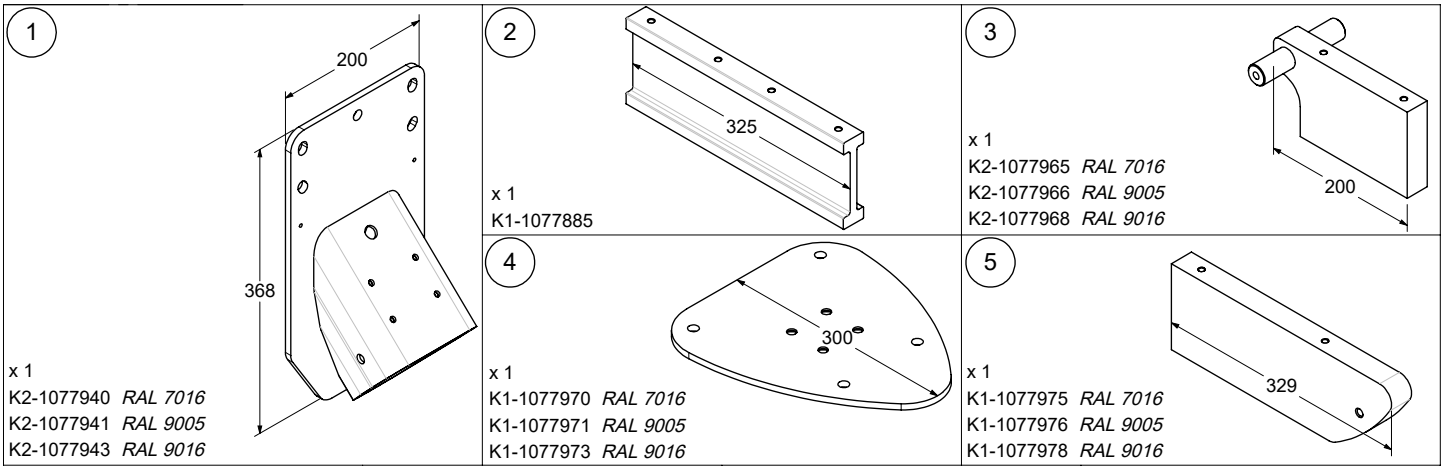
# SYDNEY

**INSTRUCTION / MONTAGEANLEITUNG  
INSTRUKTION / INSTRUCCIÓN / INSTRUKCJA**

**SO GEM**<sup>®</sup>  
PART OF DOLLE GROUP



|  |  |                    |                          |                            |
|--|--|--------------------|--------------------------|----------------------------|
|  | Height floor-to-floor                      | Rise height        | Going (of tread)         | Number of treads           |
|  | Geschosshöhe                               | Steigungshöhe      | Auftrittsbreite          | Anzahl Stufen              |
|  | Hauteur sol-sol                            | Hauteur de marche  | Giron                    | Nombre de marches          |
|  | Altura de suelo/suelo                      | Altura de peldaños | Huella                   | Numero de peldaños         |
|  | Altura do chão / chão                      | Altura do degrau   | Pegada                   | Número de etapas (degraus) |
|  | Hoogte vloer/vloer                         | Hoogte trede       | Aantrede                 | Aantal treden              |
|  | Etagehøjde                                 | Stigningshøjde     | Grund                    | Antal trin                 |
|  | Golv till golv höjd                        | Stigningshöjd      | Grund                    | Antal steg                 |
|  | Wysokość kondygnacji od podłogi do podłogi | Wysokość stopnia   | Głębokość stopnia        | Ilość stopni               |
|  | Înălțime sol-sol                           | Înălțime treaptă   | Lățime utilă treaptă     | Număr trepte               |
|  | Výška patra podlaha-podlaha                | Výška schodu       | Hloubka nášlapu          | Počet nášlapů              |
|  | Висота от пола до пола                     | Шаг ступени        | Глубина ступени          | Кол-во ступеней            |
|  | Aukšto aukštis                             | Pakopos aukštis    | Pakopos gylis            | Pakopų kiekis              |
|  | Stėva augstums                             | Pakėpiena augstums | Pakėpiena dziūlums       | Pakėpienu skaitis          |
|  | Korruše kōrgus                             | Astme kōrgus       | Astme sūgavus            | Astmete arv                |
|  | Višina nadstropja                          | Višina stopnice    | Hodatna globina stopnice | Število stopnic            |
|  | Višina kata                                | Višina stepenice   | Dubina stuba             | Broj stepenica             |
|  | Výška podlažia                             | Výška stupňa       | Hĺbka stupňa             | Počet stupňov              |



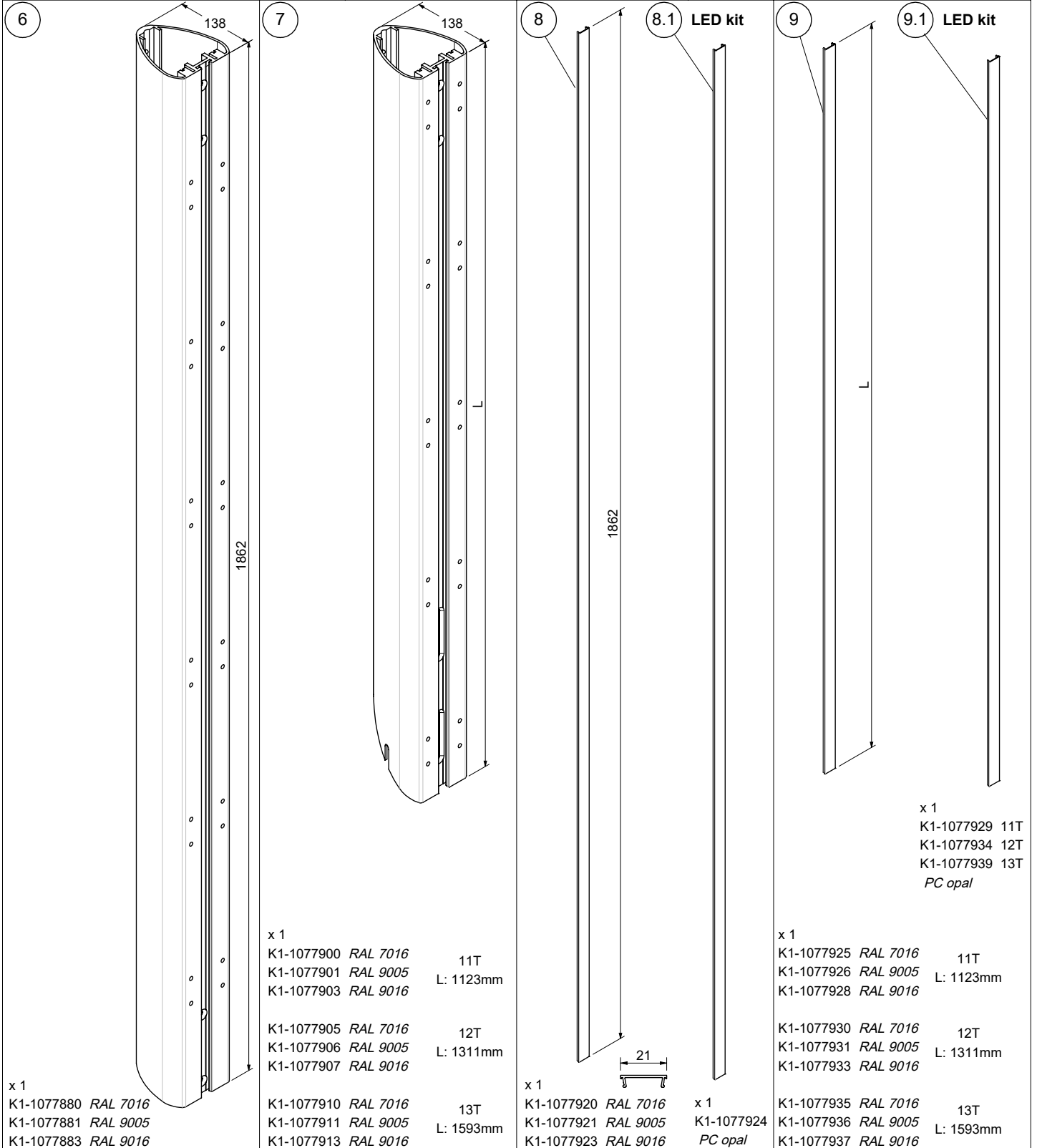
x 1  
K2-1077940 RAL 7016  
K2-1077941 RAL 9005  
K2-1077943 RAL 9016

x 1  
K1-1077885

x 1  
K2-1077965 RAL 7016  
K2-1077966 RAL 9005  
K2-1077968 RAL 9016

x 1  
K1-1077970 RAL 7016  
K1-1077971 RAL 9005  
K1-1077973 RAL 9016

x 1  
K1-1077975 RAL 7016  
K1-1077976 RAL 9005  
K1-1077978 RAL 9016



x 1  
K1-1077880 RAL 7016  
K1-1077881 RAL 9005  
K1-1077883 RAL 9016

x 1  
K1-1077900 RAL 7016 11T  
K1-1077901 RAL 9005 L: 1123mm  
K1-1077903 RAL 9016

K1-1077905 RAL 7016 12T  
K1-1077906 RAL 9005 L: 1311mm  
K1-1077907 RAL 9016

K1-1077910 RAL 7016 13T  
K1-1077911 RAL 9005 L: 1593mm  
K1-1077913 RAL 9016

x 1  
K1-1077920 RAL 7016  
K1-1077921 RAL 9005  
K1-1077923 RAL 9016



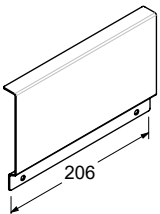


x 1  
K1-1077924 PC opal

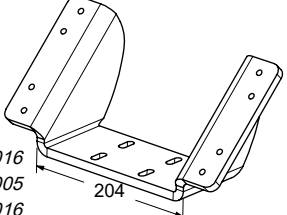
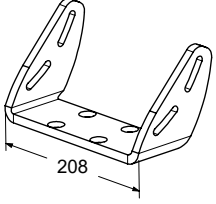
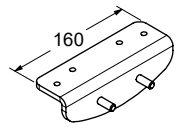
x 1  
K1-1077925 RAL 7016 11T  
K1-1077926 RAL 9005 L: 1123mm  
K1-1077928 RAL 9016

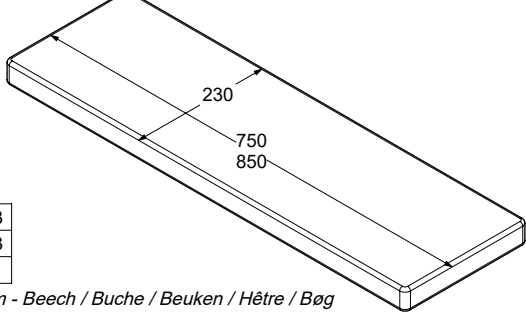
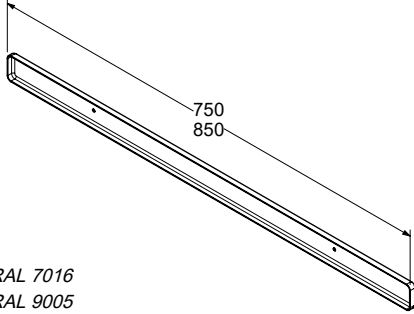
K1-1077930 RAL 7016 12T  
K1-1077931 RAL 9005 L: 1311mm  
K1-1077933 RAL 9016

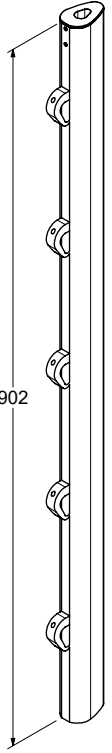



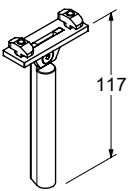
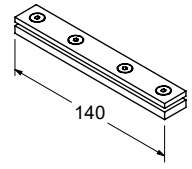
K1-1077935 RAL 7016 13T  
K1-1077936 RAL 9005 L: 1593mm  
K1-1077937 RAL 9016



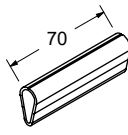

x 1  
K1-1077929 11T  
K1-1077934 12T  
K1-1077939 13T  
PC opal

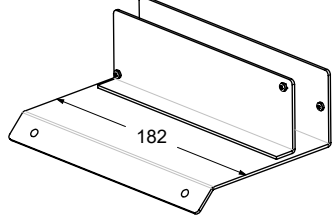
|  |  |   |  |  |
|--|--|---|--|--|
| <p>10</p>  <p>x 1<br/>K1-1077985 RAL 7016<br/>K1-1077986 RAL 9005<br/>K1-1077988 RAL 9016</p> | <p>11</p>  <p>x 1<br/>K1-1077980 RAL 7016<br/>K1-1077981 RAL 9005<br/>K1-1077983 RAL 9016</p> | <p>12</p>  <p>x 1<br/>K1-1077950 RAL 7016<br/>K1-1077951 RAL 9005<br/>K1-1077953 RAL 9016</p> | <p>13</p>  <p>x 1<br/>K1-1077895 RAL 7016<br/>K1-1077896 RAL 9005<br/>K1-1077898 RAL 9016</p> | <p>14</p>  <p>x 1<br/>K1-1077890 RAL 7016<br/>K1-1077891 RAL 9005<br/>K1-1077893 RAL 9016</p> |
|--|--|---|--|--|

|  |  |    |    |    |    |   |    |    |    |   |  |    |    |    |   |    |    |    |
|--|--|----|----|----|----|---|----|----|----|---|--|----|----|----|---|----|----|----|
| <p>15</p>  <p>x 1<br/>K1-1077945 RAL 7016<br/>K1-1077946 RAL 9005<br/>K1-1077948 RAL 9016</p> | <p>16</p>  <table border="1"> <tr><td></td><td>11</td><td>12</td><td>13</td></tr> <tr><td>x</td><td>10</td><td>11</td><td>12</td></tr> </table> <p>K1-1077990 RAL 7016<br/>K1-1077991 RAL 9005<br/>K1-1077993 RAL 9016</p> |    | 11 | 12 | 13 | x | 10 | 11 | 12 | <p>17</p>  <table border="1"> <tr><td></td><td>11</td><td>12</td><td>13</td></tr> <tr><td>x</td><td>20</td><td>22</td><td>24</td></tr> </table> <p>K2-1077995 RAL 7016<br/>K2-1077996 RAL 9005<br/>K2-1077998 RAL 9016</p> |  | 11 | 12 | 13 | x | 20 | 22 | 24 |
|  | 11   | 12 | 13 |    |    |   |    |    |    |   |  |    |    |    |   |    |    |    |
| x  | 10   | 11 | 12 |    |    |   |    |    |    |   |  |    |    |    |   |    |    |    |
|  | 11   | 12 | 13 |    |    |   |    |    |    |   |  |    |    |    |   |    |    |    |
| x  | 20   | 22 | 24 |    |    |   |    |    |    |   |  |    |    |    |   |    |    |    |

|   |    |    |    |    |   |    |    |    |   |   |    |    |  |
|---|----|----|----|----|---|----|----|----|---|---|----|----|--|
| <p>18</p>  <table border="1"> <tr><td></td><td>11</td><td>12</td><td>13</td></tr> <tr><td>x</td><td>11</td><td>12</td><td>13</td></tr> <tr><td>L</td><td>9</td><td>10</td><td>11</td></tr> </table> <p>M2-1078601 750mm - Beech / Buche / Beuken / Hêtre / Bøg<br/>M2-1078611 750mm - Oak / Eiche / Bijv / Chêne / Eg<br/>M2-1078621 750mm - Oak white / Eiche weiß / Bijv wt / Chêne blanc / Eg hvid<br/>M2-1078651 850mm - Beech / Buche / Beuken / Hêtre / Bøg<br/>M2-1078661 850mm - Oak / Eiche / Bijv / Chêne / Eg<br/>M2-1078671 850mm - Oak white / Eiche weiß / Bijv wt / Chêne blanc / Eg hvid</p> |    | 11 | 12 | 13 | x | 11 | 12 | 13 | L | 9 | 10 | 11 | <p>19</p>  <p>x 1<br/>K1-1077955 750mm - RAL 7016<br/>K1-1077956 750mm - RAL 9005<br/>K1-1077958 750mm - RAL 9016<br/>K1-1077960 850mm - RAL 7016<br/>K1-1077961 850mm - RAL 9005<br/>K1-1077963 850mm - RAL 9016</p> |
|   | 11 | 12 | 13 |    |   |    |    |    |   |   |    |    |  |
| x   | 11 | 12 | 13 |    |   |    |    |    |   |   |    |    |  |
| L   | 9  | 10 | 11 |    |   |    |    |    |   |   |    |    |  |

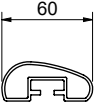
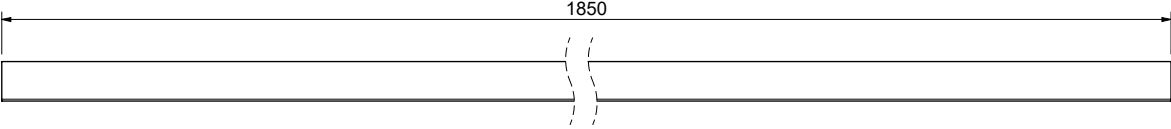
|  |  |    |    |    |    |   |   |   |   |   |   |   |   |  |  |    |    |    |   |   |   |   |   |   |   |   |   |  |    |    |    |   |   |   |   |   |   |   |   |  |  |    |    |    |   |   |   |   |   |   |   |   |   |
|--|--|----|----|----|----|---|---|---|---|---|---|---|---|--|--|----|----|----|---|---|---|---|---|---|---|---|---|--|----|----|----|---|---|---|---|---|---|---|---|--|--|----|----|----|---|---|---|---|---|---|---|---|---|
| <p>20</p>  <p>902</p> | <p>21</p>  <table border="1"> <tr><td></td><td>11</td><td>12</td><td>13</td></tr> <tr><td>x</td><td>3</td><td>4</td><td>4</td></tr> <tr><td>L</td><td>3</td><td>3</td><td>3</td></tr> </table> <p>K1-1085115 RAL 9005<br/>K1-1085215 RAL 9016<br/>K1-1085315 RAL 7016</p> |    | 11 | 12 | 13 | x | 3 | 4 | 4 | L | 3 | 3 | 3 | <p>22</p>  <table border="1"> <tr><td></td><td>11</td><td>12</td><td>13</td></tr> <tr><td>x</td><td>3</td><td>4</td><td>4</td></tr> <tr><td>L</td><td>3</td><td>3</td><td>3</td></tr> </table> <p>K1-1085116 RAL 9005<br/>K1-1085216 RAL 9016<br/>K1-1085316 RAL 7016</p> |  | 11 | 12 | 13 | x | 3 | 4 | 4 | L | 3 | 3 | 3 | <p>23</p>  <table border="1"> <tr><td></td><td>11</td><td>12</td><td>13</td></tr> <tr><td>x</td><td>6</td><td>8</td><td>8</td></tr> <tr><td>L</td><td>6</td><td>6</td><td>6</td></tr> </table> <p>K3-02155</p> |  | 11 | 12 | 13 | x | 6 | 8 | 8 | L | 6 | 6 | 6 | <p>24</p>  <table border="1"> <tr><td></td><td>11</td><td>12</td><td>13</td></tr> <tr><td>x</td><td>3</td><td>4</td><td>4</td></tr> <tr><td>L</td><td>3</td><td>3</td><td>3</td></tr> </table> <p>K2-1085118 RAL 9005<br/>K2-1085218 RAL 9016<br/>K2-1085318 RAL 7016</p> |  | 11 | 12 | 13 | x | 3 | 4 | 4 | L | 3 | 3 | 3 | <p>25</p>  <p>x 1<br/>K2-1085045</p> |
|  | 11   | 12 | 13 |    |    |   |   |   |   |   |   |   |   |  |  |    |    |    |   |   |   |   |   |   |   |   |   |  |    |    |    |   |   |   |   |   |   |   |   |  |  |    |    |    |   |   |   |   |   |   |   |   |   |
| x  | 3  | 4  | 4  |    |    |   |   |   |   |   |   |   |   |  |  |    |    |    |   |   |   |   |   |   |   |   |   |  |    |    |    |   |   |   |   |   |   |   |   |  |  |    |    |    |   |   |   |   |   |   |   |   |   |
| L  | 3  | 3  | 3  |    |    |   |   |   |   |   |   |   |   |  |  |    |    |    |   |   |   |   |   |   |   |   |   |  |    |    |    |   |   |   |   |   |   |   |   |  |  |    |    |    |   |   |   |   |   |   |   |   |   |
|  | 11   | 12 | 13 |    |    |   |   |   |   |   |   |   |   |  |  |    |    |    |   |   |   |   |   |   |   |   |   |  |    |    |    |   |   |   |   |   |   |   |   |  |  |    |    |    |   |   |   |   |   |   |   |   |   |
| x  | 3  | 4  | 4  |    |    |   |   |   |   |   |   |   |   |  |  |    |    |    |   |   |   |   |   |   |   |   |   |  |    |    |    |   |   |   |   |   |   |   |   |  |  |    |    |    |   |   |   |   |   |   |   |   |   |
| L  | 3  | 3  | 3  |    |    |   |   |   |   |   |   |   |   |  |  |    |    |    |   |   |   |   |   |   |   |   |   |  |    |    |    |   |   |   |   |   |   |   |   |  |  |    |    |    |   |   |   |   |   |   |   |   |   |
|  | 11   | 12 | 13 |    |    |   |   |   |   |   |   |   |   |  |  |    |    |    |   |   |   |   |   |   |   |   |   |  |    |    |    |   |   |   |   |   |   |   |   |  |  |    |    |    |   |   |   |   |   |   |   |   |   |
| x  | 6  | 8  | 8  |    |    |   |   |   |   |   |   |   |   |  |  |    |    |    |   |   |   |   |   |   |   |   |   |  |    |    |    |   |   |   |   |   |   |   |   |  |  |    |    |    |   |   |   |   |   |   |   |   |   |
| L  | 6  | 6  | 6  |    |    |   |   |   |   |   |   |   |   |  |  |    |    |    |   |   |   |   |   |   |   |   |   |  |    |    |    |   |   |   |   |   |   |   |   |  |  |    |    |    |   |   |   |   |   |   |   |   |   |
|  | 11   | 12 | 13 |    |    |   |   |   |   |   |   |   |   |  |  |    |    |    |   |   |   |   |   |   |   |   |   |  |    |    |    |   |   |   |   |   |   |   |   |  |  |    |    |    |   |   |   |   |   |   |   |   |   |
| x  | 3  | 4  | 4  |    |    |   |   |   |   |   |   |   |   |  |  |    |    |    |   |   |   |   |   |   |   |   |   |  |    |    |    |   |   |   |   |   |   |   |   |  |  |    |    |    |   |   |   |   |   |   |   |   |   |
| L  | 3  | 3  | 3  |    |    |   |   |   |   |   |   |   |   |  |  |    |    |    |   |   |   |   |   |   |   |   |   |  |    |    |    |   |   |   |   |   |   |   |   |  |  |    |    |    |   |   |   |   |   |   |   |   |   |

|  |  |  |   |
|--|--|--|---|
| <p>26</p>  <p>x 1<br/>K2-1085148 RAL 9005<br/>K2-1085248 RAL 9016<br/>K2-1085348 RAL 7016</p> | <p>27</p>  <p>x 1<br/>K2-1085149 RAL 9005<br/>K2-1085249 RAL 9016<br/>K2-1085349 RAL 7016</p> | <p>28</p>  <p>x 5<br/>K1-1085059</p> | <p>29</p>  <p>x 10<br/>K1-1085128 RAL 9005<br/>K1-1085129 RAL 9016<br/>K1-1085358 RAL 7016</p> |
|--|--|--|---|

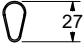
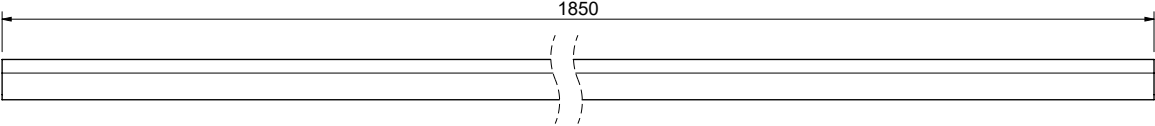
|  |
|--|
| <p>32</p>  <p>x 1<br/>K2-1078000 RAL 7016<br/>K2-1078001 RAL 9005<br/>K2-1078003 RAL 9006</p> |
|--|

|   |    |    |    |
|---|----|----|----|
|   | 11 | 12 | 13 |
| x | 3  | 4  | 4  |
| L | 3  | 3  | 3  |


K2-1085101 RAL 9005  
K2-1085201 RAL 9016  
K2-1085301 RAL 7016

33  


x 2  
 K1-1085145 RAL 9005  
 K1-1085245 RAL 9016  
 K1-1085345 RAL 7016

34  

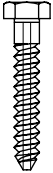
x 2  
 K1-1085155 RAL 9005  
 K1-1085255 RAL 7016  
 K1-1085355 RAL 9016

50 



x 9  
 K3-08001  $\varnothing 12 \times 60$

51 



x 9  
 K3-04001  $\varnothing 10$

52 

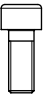

x 9  
 K3-06003  $\varnothing 10 \times 60$

53   




x 15  
 K3-02136 M8 x 20

54   




x 4  
 K3-02137 M10 x 20

55   


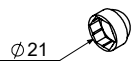
x 2  
 K3-02205 M10 x 25

56   




x 2  
 K3-02258 M10 x 25

57   


x 2  
 K3-02041 M5 x 8


58 

x 4  
 K1-10027 RAL 7016  
 K1-01018 RAL 9005  
 K1-01007 RAL 9016

59   




|   |    |    |    |
|---|----|----|----|
|   | 11 | 12 | 13 |
| x | 44 | 48 | 52 |

K3-04150  $\varnothing 8 / \varnothing 16$



60 

|   |    |    |    |
|---|----|----|----|
|   | 11 | 12 | 13 |
| x | 40 | 44 | 48 |

K3-03011 M8



61   


x 4  
 K3-02267 M8 x 25



62   


|   |    |    |    |
|---|----|----|----|
|   | 11 | 12 | 13 |
| x | 40 | 44 | 48 |

K3-02138 M8 x 35

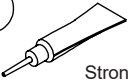
63   


x 2  
 K3-06013  $\varnothing 4 \times 20$

64   


|   |    |    |     |
|---|----|----|-----|
|   | 11 | 12 | 13  |
| x | 88 | 96 | 104 |

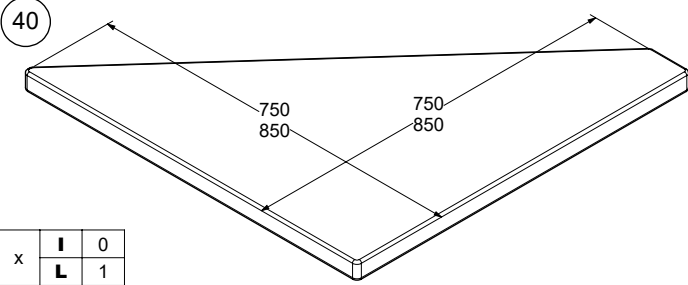
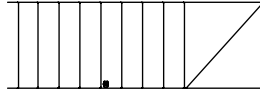
K3-06128  $\varnothing 6 \times 35$

91 

Strong glue  
 Superkleber  
 Seconde lijm  
 Colle forte  
 Superlim

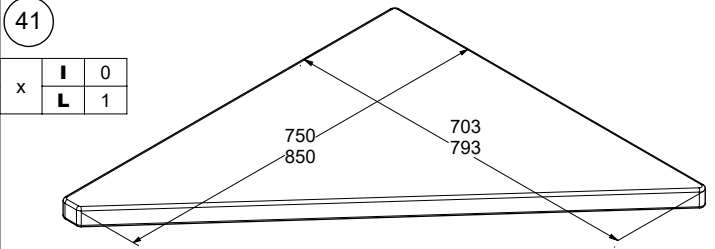
x 1  
 K7-71999

1077860 RAL 7016  
 1077870 RAL 9005  
 1077890 RAL 9016



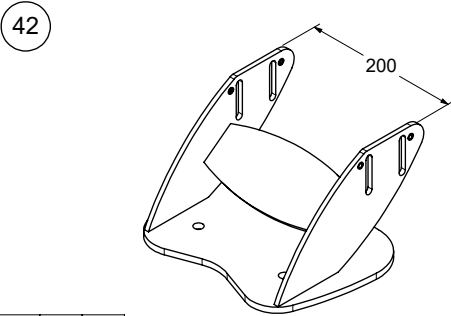
|   |   |   |
|---|---|---|
| x | I | 0 |
|   | L | 1 |

M2-1078609 750mm - Beech / Buche / Beuken / Hêtre / Bøg  
 M2-1078619 750mm - Oak / Eiche / Bijv / Chêne / Eg  
 M2-1078629 750mm - Oak white / Eiche weiß / Bijv wt / Chêne blanc / Eg hvid  
 M2-1078659 850mm - Beech / Buche / Beuken / Hêtre / Bøg  
 M2-1078669 850mm - Oak / Eiche / Bijv / Chêne / Eg  
 M2-1078679 850mm - Oak white / Eiche weiß / Bijv wt / Chêne blanc / Eg hvid



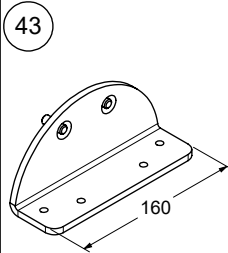
|   |   |   |
|---|---|---|
| x | I | 0 |
|   | L | 1 |

M2-1078608 750mm - Beech / Buche / Beuken / Hêtre / Bøg  
 M2-1078618 750mm - Oak / Eiche / Bijv / Chêne / Eg  
 M2-1078628 750mm - Oak white / Eiche weiß / Bijv wt / Chêne blanc / Eg hvid  
 M2-1078658 850mm - Beech / Buche / Beuken / Hêtre / Bøg  
 M2-1078668 850mm - Oak / Eiche / Bijv / Chêne / Eg  
 M2-1078678 850mm - Oak white / Eiche weiß / Bijv wt / Chêne blanc / Eg hvid



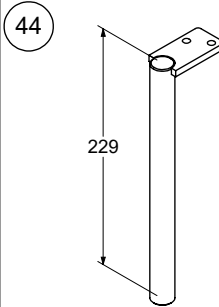
|   |   |   |
|---|---|---|
| x | I | 0 |
|   | L | 1 |

K2-1078030 RAL 7016  
 K2-1078031 RAL 9005  
 K2-1078033 RAL 9016



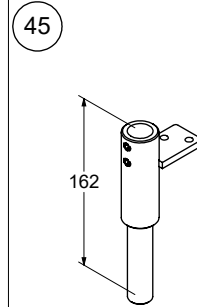
|   |   |   |
|---|---|---|
| x | I | 0 |
|   | L | 2 |

K2-1078035 RAL 7016  
 K2-1078036 RAL 9005  
 K2-1078038 RAL 9016



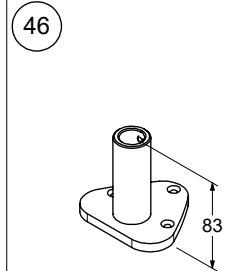
|   |   |   |
|---|---|---|
| x | I | 0 |
|   | L | 1 |

K2-1078060 RAL 7016  
 K2-1078061 RAL 9005  
 K2-1078063 RAL 9016



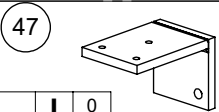
|   |   |   |
|---|---|---|
| x | I | 0 |
|   | L | 1 |

K2-1078055 RAL 7016  
 K2-1078056 RAL 9005  
 K2-1078058 RAL 9016



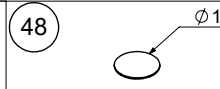
|   |   |   |
|---|---|---|
| x | I | 0 |
|   | L | 1 |

K2-1078050 RAL 7016  
 K2-1078051 RAL 9005  
 K2-1078053 RAL 9016



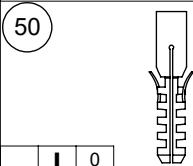
|   |   |   |
|---|---|---|
| x | I | 0 |
|   | L | 2 |

K1-1077295 RAL 7016  
 K1-1077296 RAL 9005  
 K1-1077298 RAL 9016



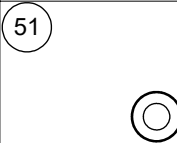
|   |   |   |
|---|---|---|
| x | I | 0 |
|   | L | 4 |

K3-09800 RAL 7016  
 K3-09801 RAL 9005  
 K3-09803 RAL 9016



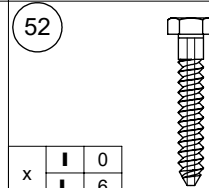
|   |   |   |
|---|---|---|
| x | I | 0 |
|   | L | 6 |

K3-08001 Ø12 x 60



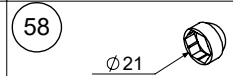
|   |   |   |
|---|---|---|
| x | I | 0 |
|   | L | 6 |

K3-04001 Ø10



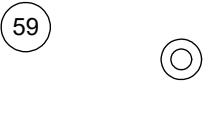
|   |   |   |
|---|---|---|
| x | I | 0 |
|   | L | 6 |

K3-06003 Ø10 x 60



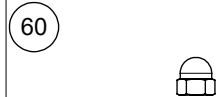
|   |   |   |
|---|---|---|
| x | I | 0 |
|   | L | 2 |

K1-01027 RAL 7016  
 K1-01018 RAL 9005  
 K1-01007 RAL 9016



|   |   |   |
|---|---|---|
| x | I | 0 |
|   | L | 4 |

K3-04150 Ø8 / Ø16



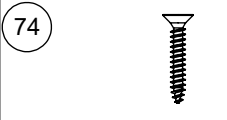
|   |   |   |
|---|---|---|
| x | I | 0 |
|   | L | 4 |

K3-03011 M8



|   |   |    |
|---|---|----|
| x | I | 0  |
|   | L | 18 |

K3-06128 Ø6 x 35 - TX30



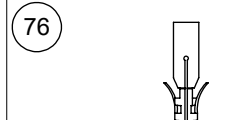
|   |   |    |
|---|---|----|
| x | I | 0  |
|   | L | 18 |

K3-06135 Ø6 x 35 - TX30



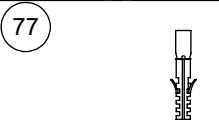
|   |   |   |
|---|---|---|
| x | I | 0 |
|   | L | 2 |

K3-06015 Ø8 x 70



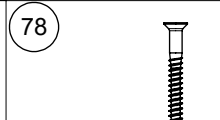
|   |   |   |
|---|---|---|
| x | I | 0 |
|   | L | 2 |

K3-08004 Ø10 x 60



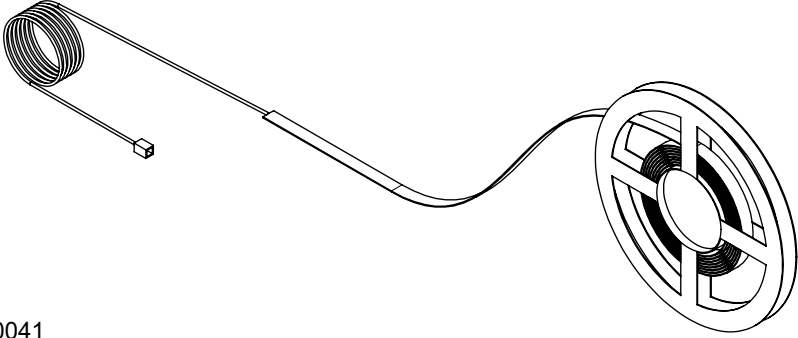
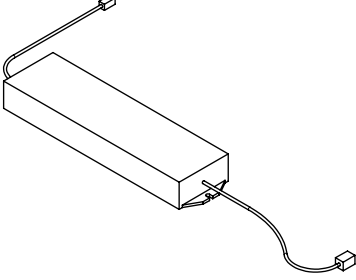
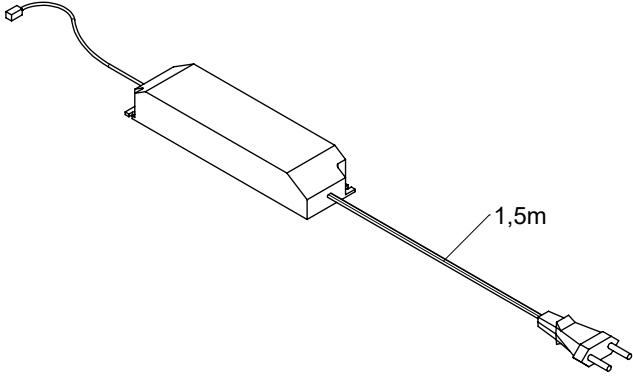
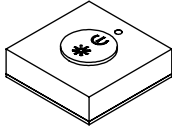
|   |   |   |
|---|---|---|
| x | I | 0 |
|   | L | 3 |

K3-08006 Ø6 x 30



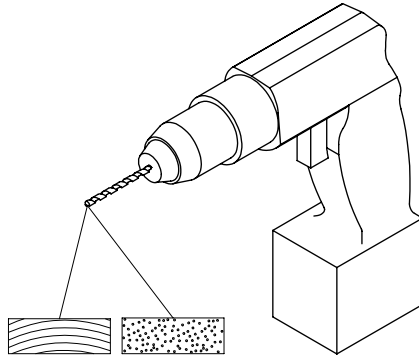
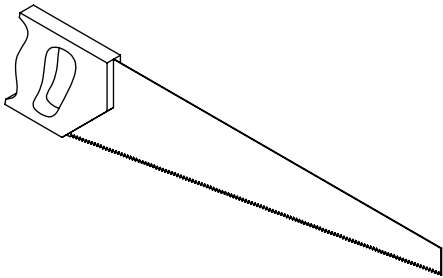
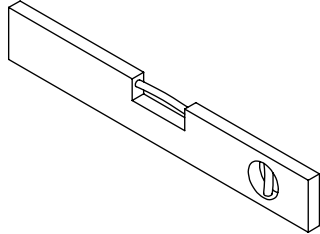
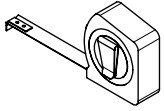
|   |   |   |
|---|---|---|
| x | I | 0 |
|   | L | 3 |

K3-06005 Ø5 x 50

| OPTION   | 1077899-0100 LED kit |  |
|--|----------------------|--|
| <p>100</p>  <p>x 1<br/>640041<br/>LED strip</p>   |                      | <p>101</p>  <p>x 1<br/>22742<br/>RF LED dimmer</p>  |
| <p>102</p>  <p>x 1<br/>600245<br/>LED driver</p> |                      | <p>103</p>  <p>x 1<br/>20222<br/>Remote control</p> |



Tools not included!  
Werkzeuge nicht enthalten!  
Gereedschap niet inbegrepen!  
Outils non inclus!  
Værktøj ikke inkluderet!



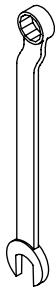
- |       |        |
|-------|--------|
| ∅ 3mm | ∅ 6mm  |
| ∅ 4mm | ∅ 8mm  |
| ∅ 6mm | ∅ 12mm |
| ∅ 8mm |        |



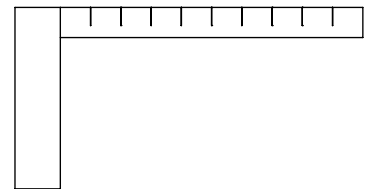
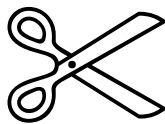
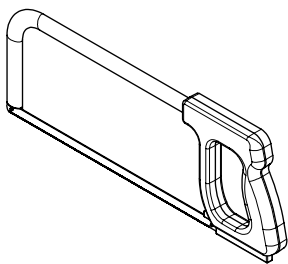
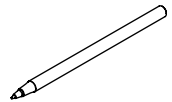
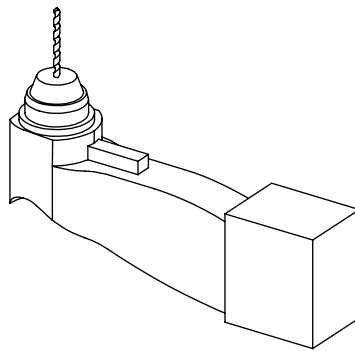
TX25  
TX30  
PZ2



3 mm  
5 mm  
6 mm  
8 mm



13mm  
16mm  
17mm



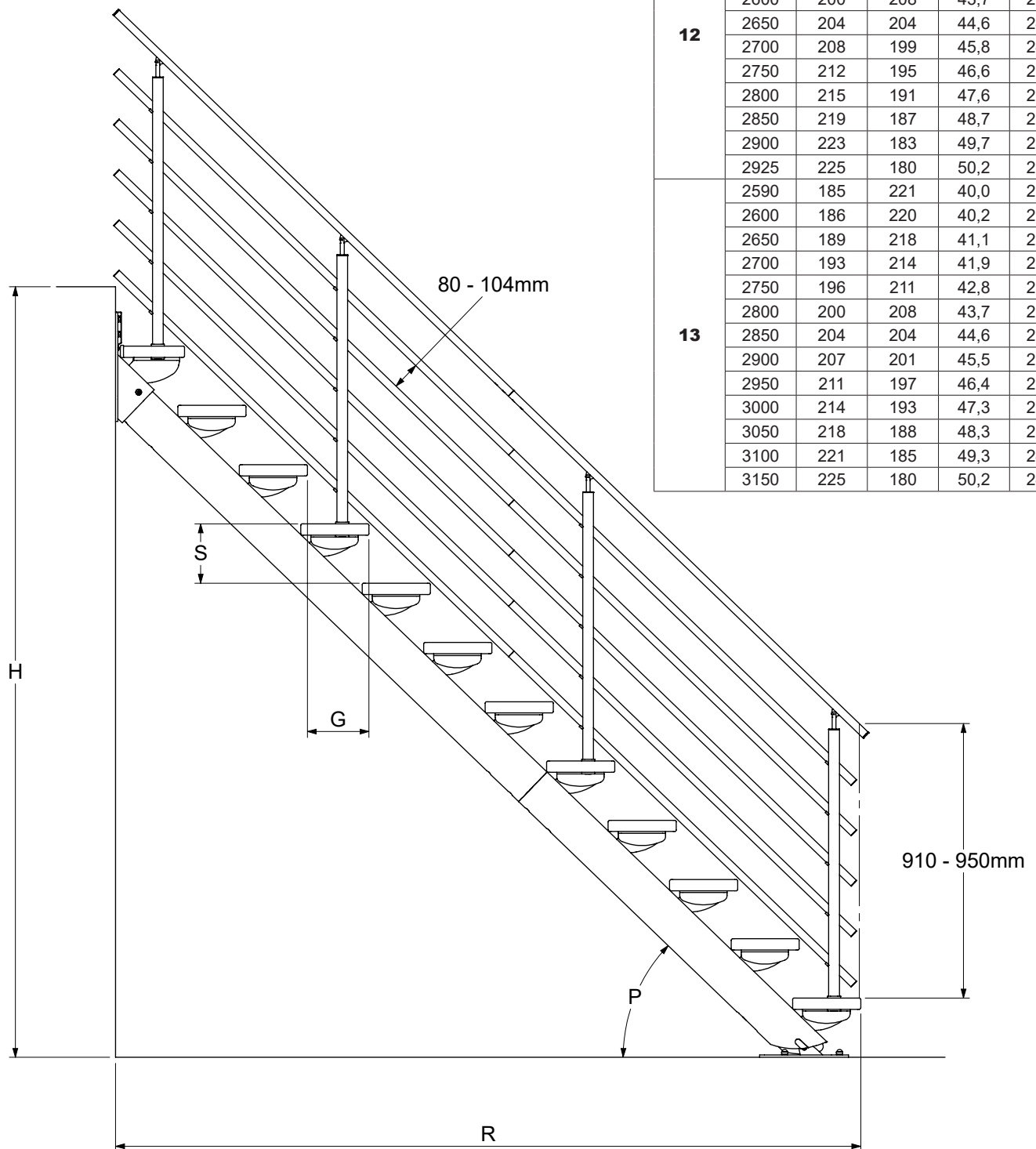




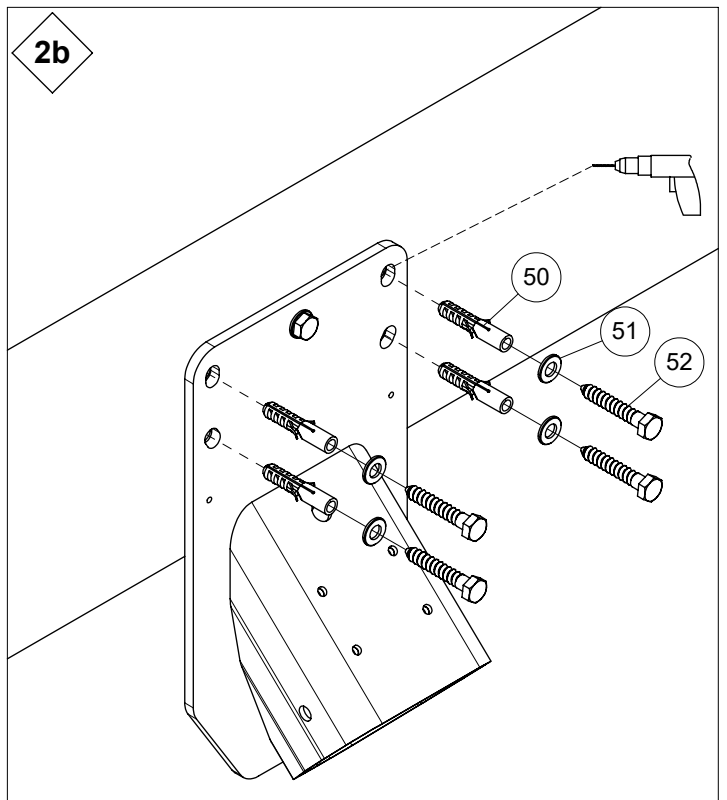
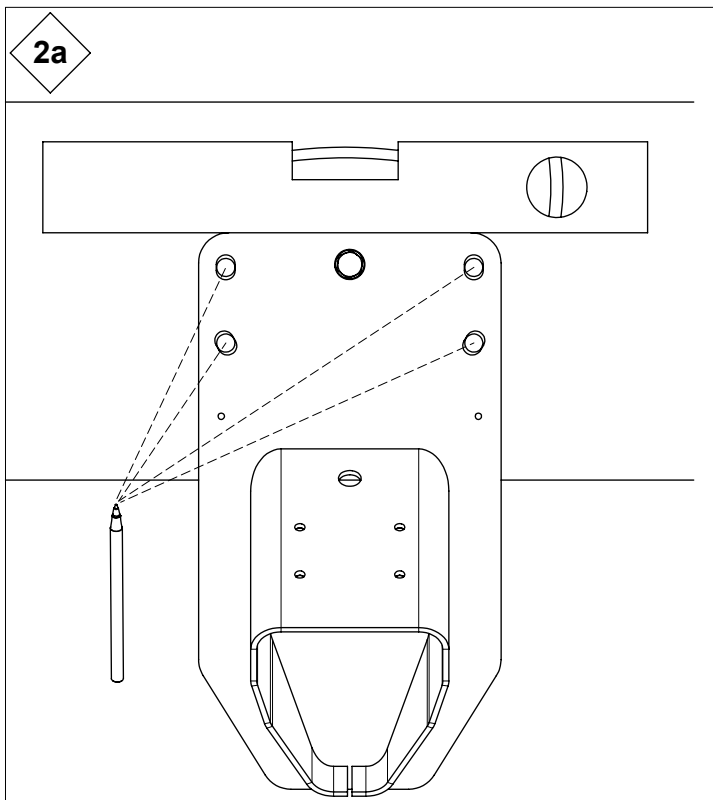
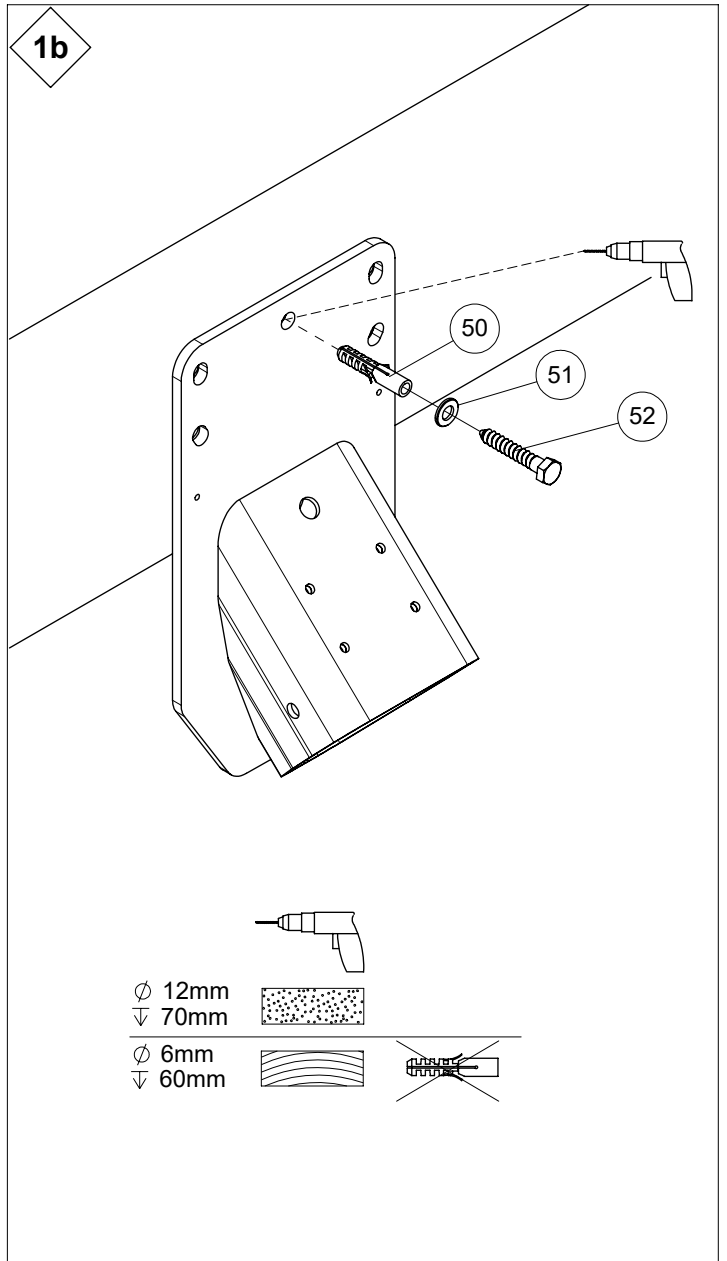
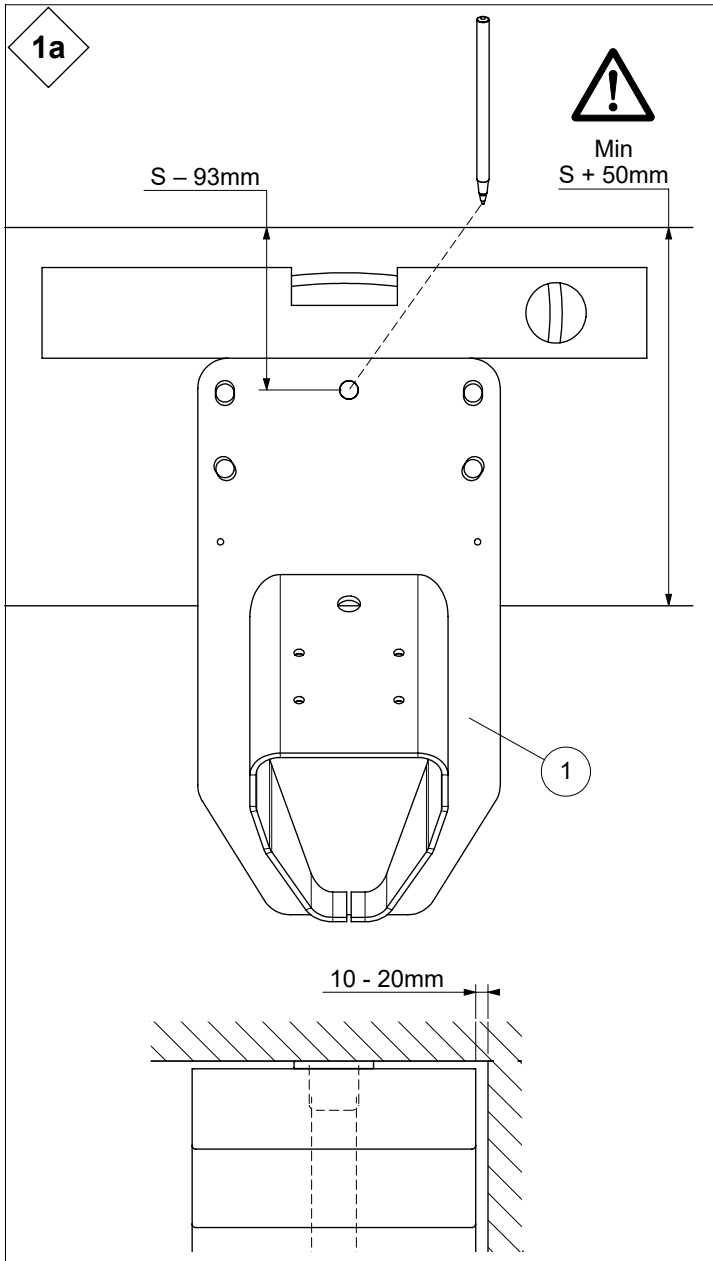
$$S = \frac{H}{T + 1}$$

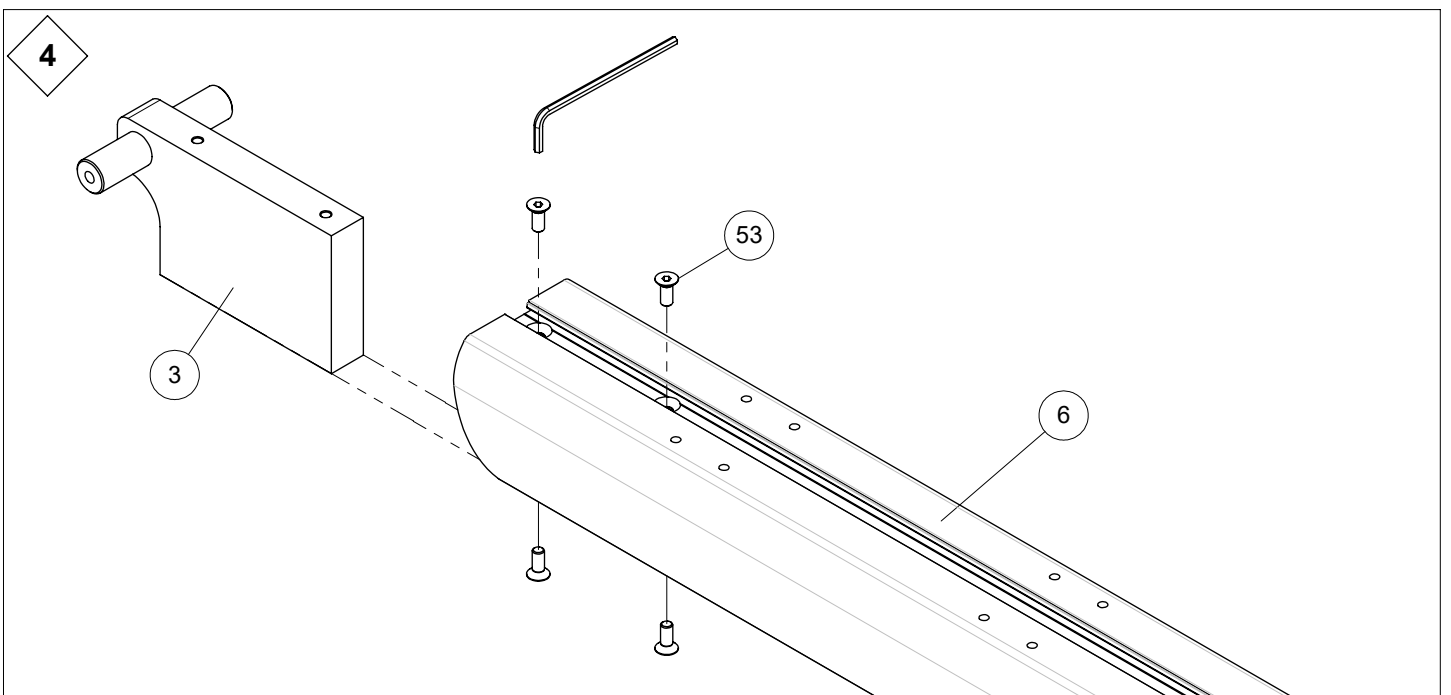
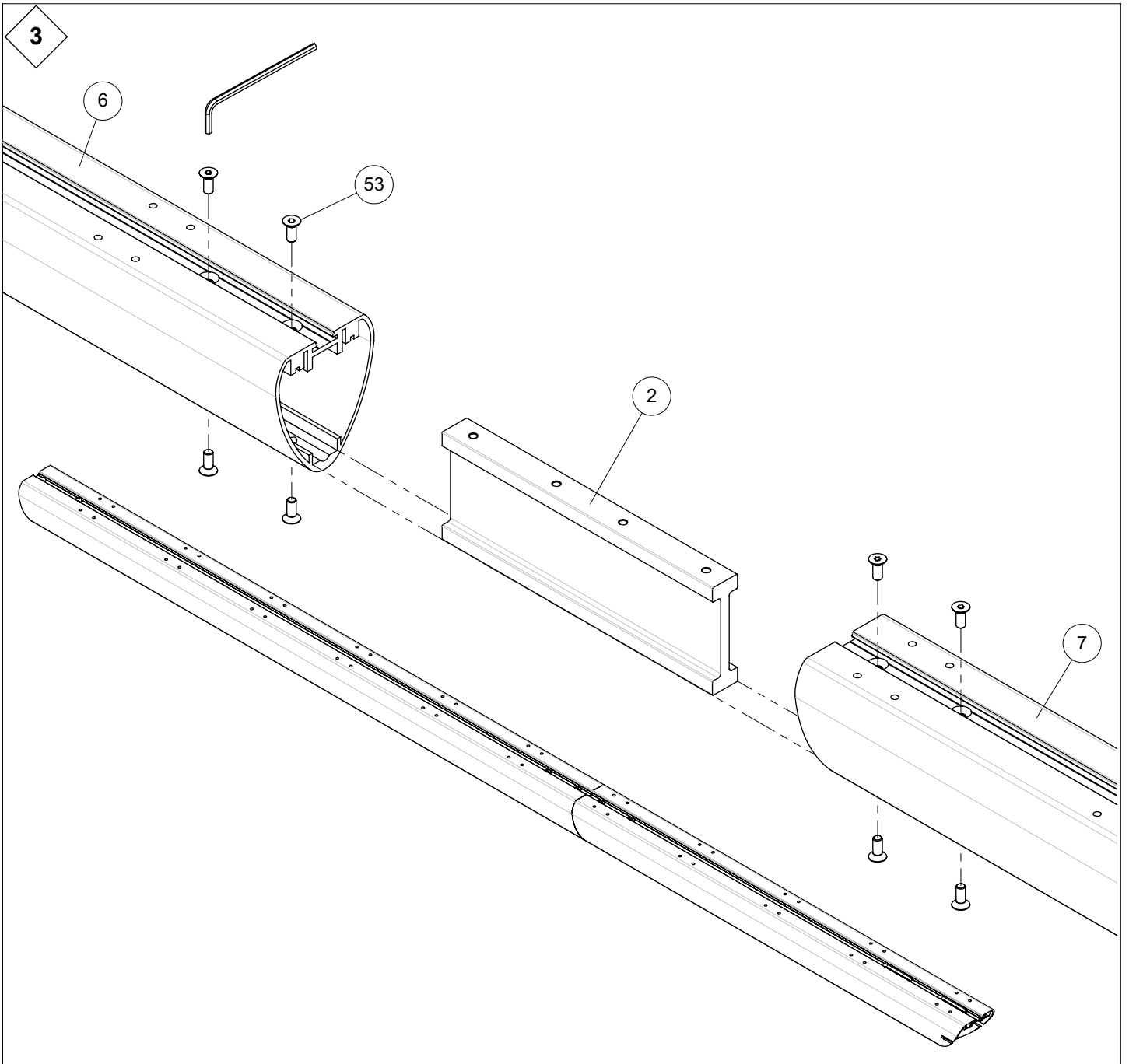
H = 2600 mm, T = 12

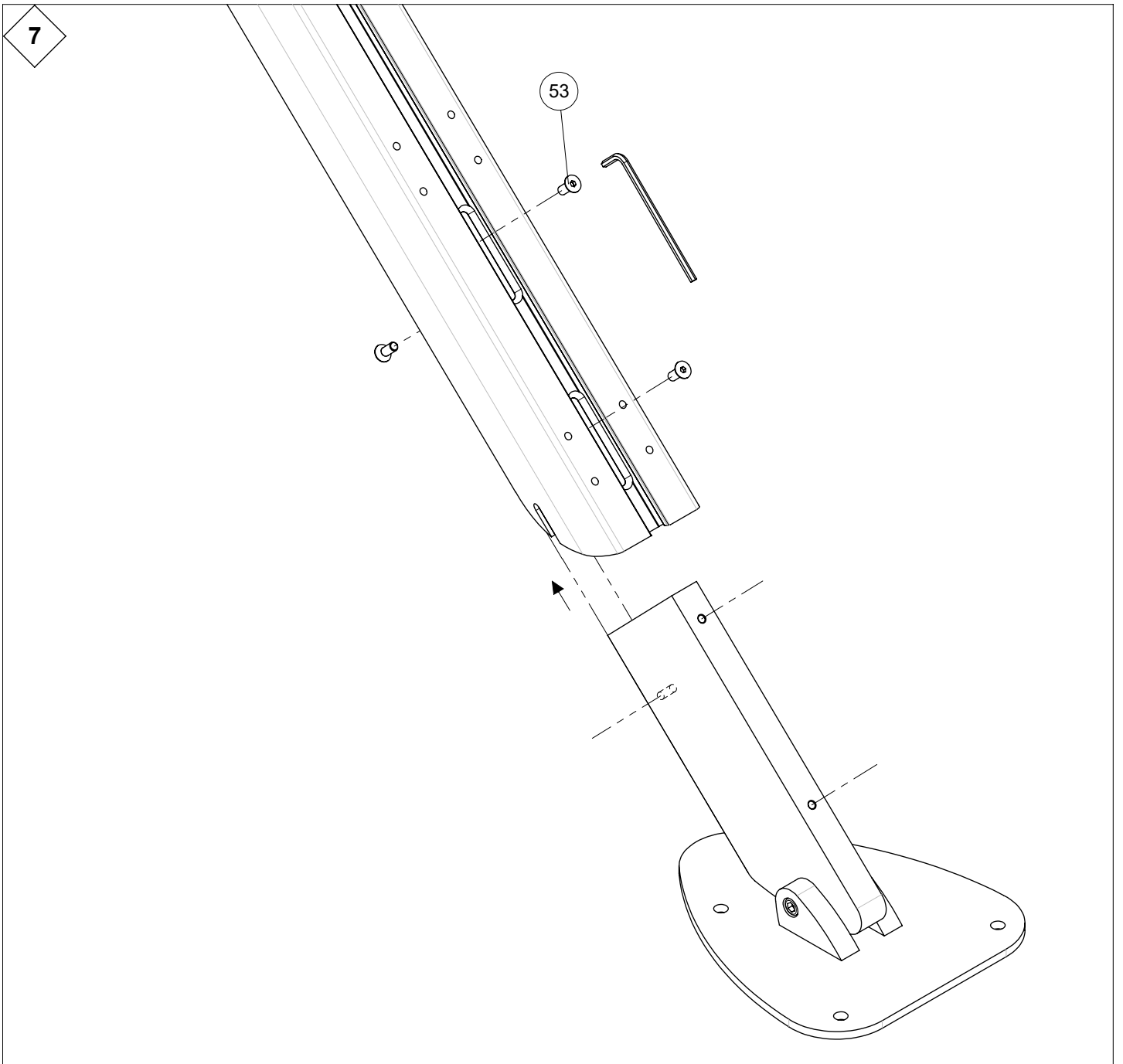
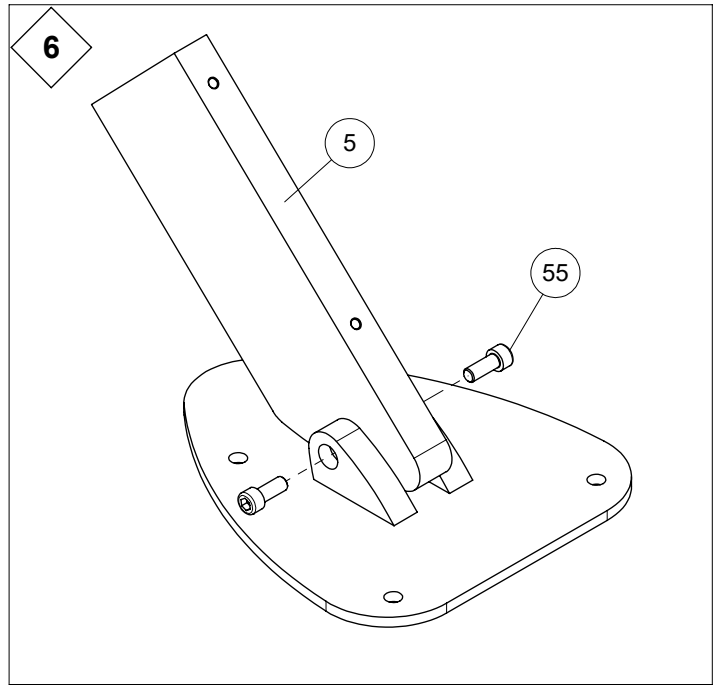
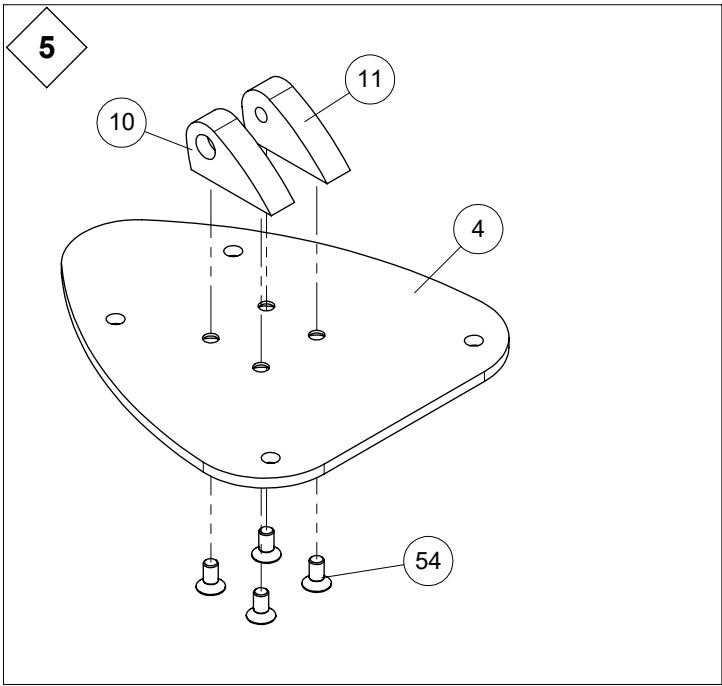
$$S = \frac{2600 \text{ mm}}{12 + 1} = 200 \text{ mm}$$



| T           | H<br>mm | S<br>mm | G<br>mm | P<br>° | R<br>mm |
|-------------|---------|---------|---------|--------|---------|
| <b>11</b>   | 2220    | 185     | 221     | 40,0   | 2427    |
|             | 2250    | 188     | 219     | 40,6   | 2406    |
|             | 2300    | 192     | 215     | 41,6   | 2374    |
|             | 2350    | 196     | 211     | 42,6   | 2341    |
|             | 2400    | 200     | 208     | 43,7   | 2309    |
|             | 2450    | 204     | 204     | 44,7   | 2274    |
|             | 2500    | 208     | 199     | 45,8   | 2236    |
|             | 2550    | 213     | 194     | 46,9   | 2189    |
|             | 2600    | 217     | 189     | 48,0   | 2148    |
|             | 2650    | 221     | 185     | 48,8   | 2107    |
| <b>12</b>   | 2405    | 185     | 221     | 40,0   | 2648    |
|             | 2450    | 188     | 219     | 40,9   | 2625    |
|             | 2500    | 192     | 215     | 41,8   | 2589    |
|             | 2550    | 192     | 211     | 42,7   | 2552    |
|             | 2600    | 200     | 208     | 43,7   | 2517    |
|             | 2650    | 204     | 204     | 44,6   | 2478    |
|             | 2700    | 208     | 199     | 45,8   | 2435    |
|             | 2750    | 212     | 195     | 46,6   | 2393    |
|             | 2800    | 215     | 191     | 47,6   | 2358    |
|             | 2850    | 219     | 187     | 48,7   | 2315    |
| <b>13</b>   | 2900    | 223     | 183     | 49,7   | 2269    |
|             | 2925    | 225     | 180     | 50,2   | 2243    |
|             | 2590    | 185     | 221     | 40,0   | 2869    |
|             | 2600    | 186     | 220     | 40,2   | 2860    |
|             | 2650    | 189     | 218     | 41,1   | 2834    |
|             | 2700    | 193     | 214     | 41,9   | 2794    |
|             | 2750    | 196     | 211     | 42,8   | 2763    |
|             | 2800    | 200     | 208     | 43,7   | 2725    |
|             | 2850    | 204     | 204     | 44,6   | 2682    |
|             | 2900    | 207     | 201     | 45,5   | 2649    |
| 910 - 950mm | 2950    | 211     | 197     | 46,4   | 2604    |
|             | 3000    | 214     | 193     | 47,3   | 2565    |
|             | 3050    | 218     | 188     | 48,3   | 2514    |
|             | 3100    | 221     | 185     | 49,3   | 2477    |
|             | 3150    | 225     | 180     | 50,2   | 2423    |









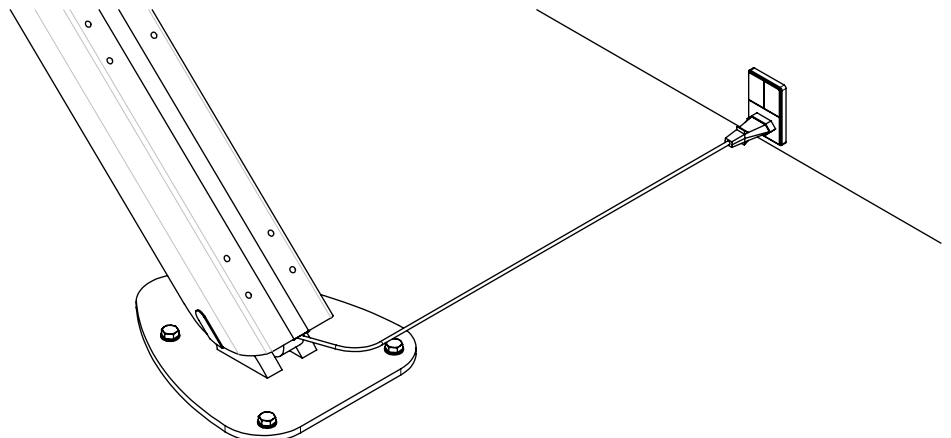
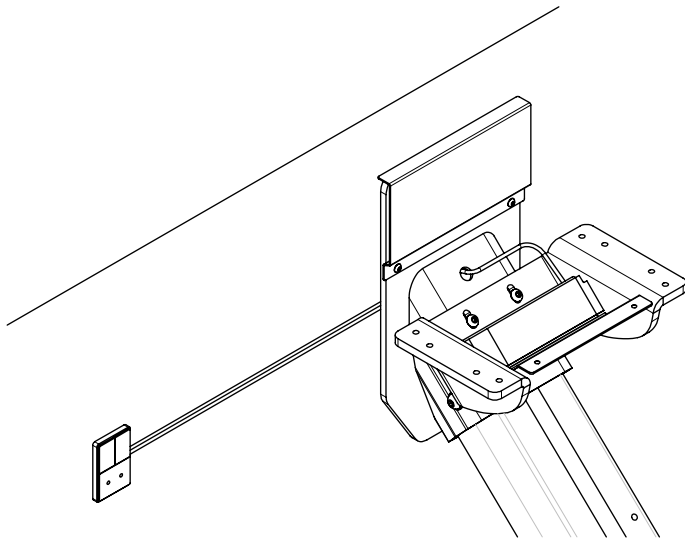
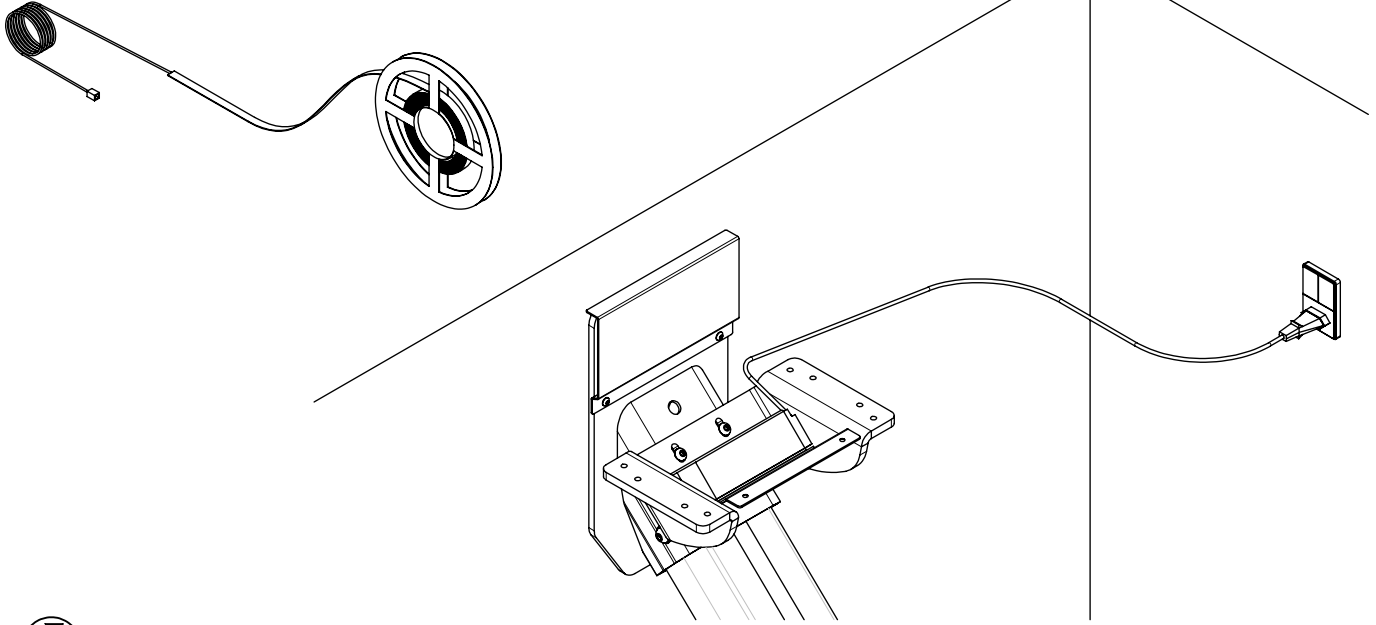
LED kit

8

11

8

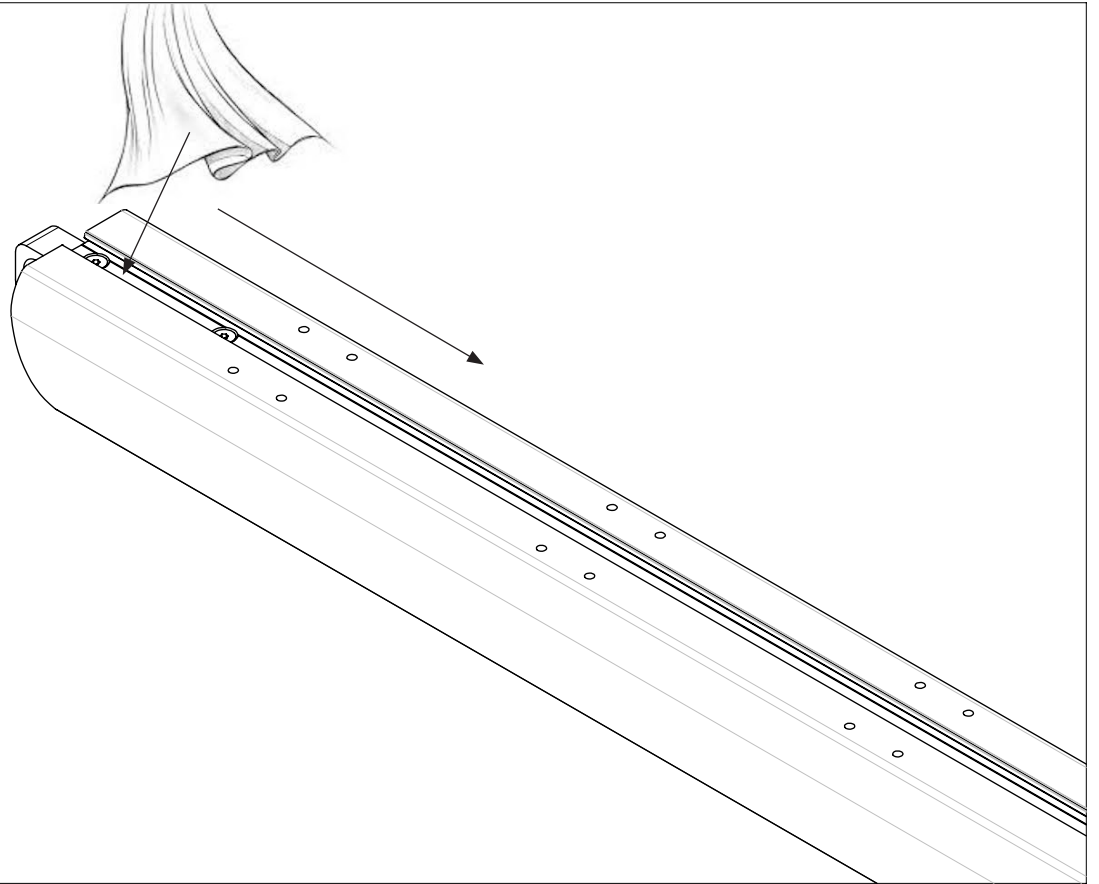
OPTION LED kit



9

OPTION

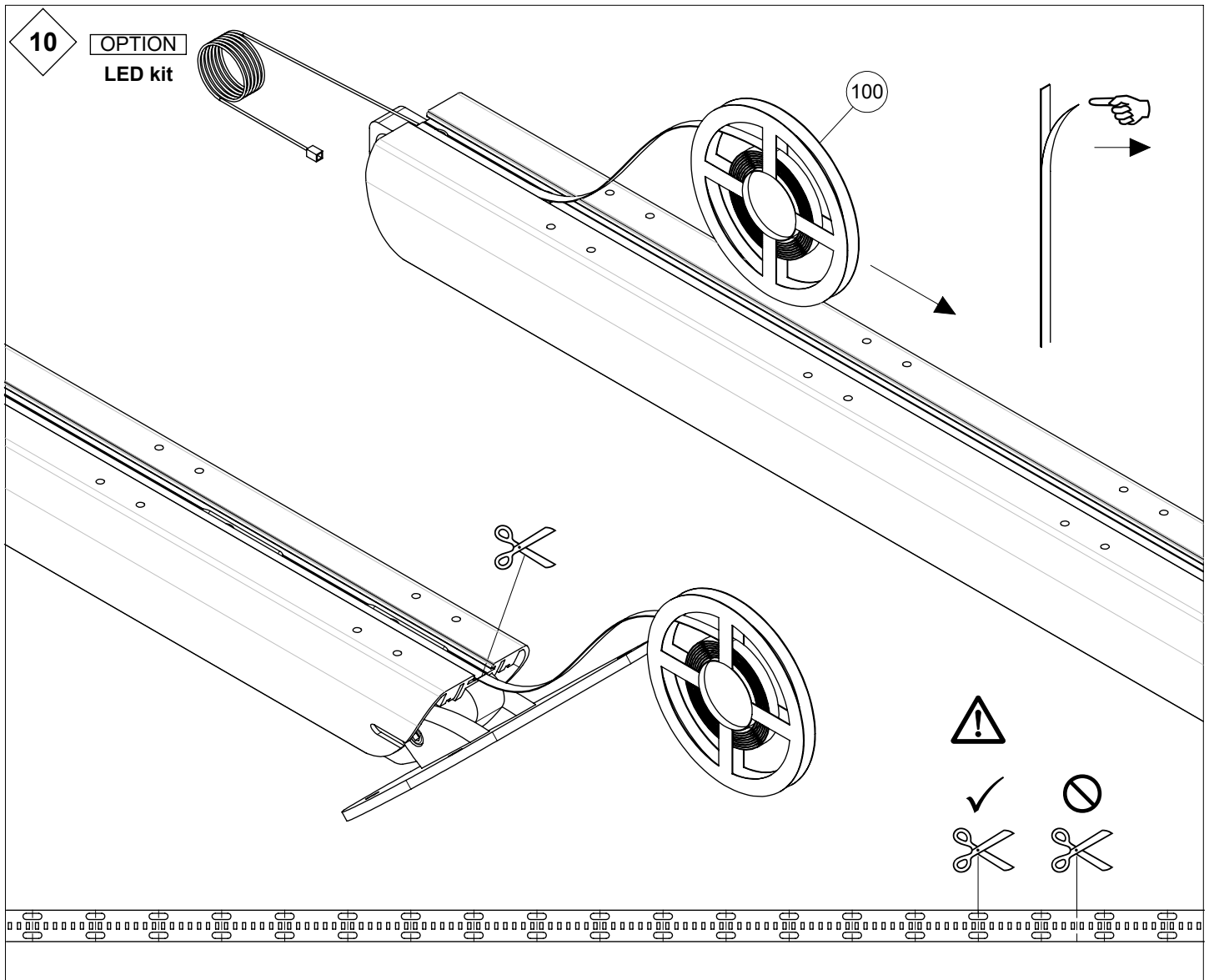
LED kit

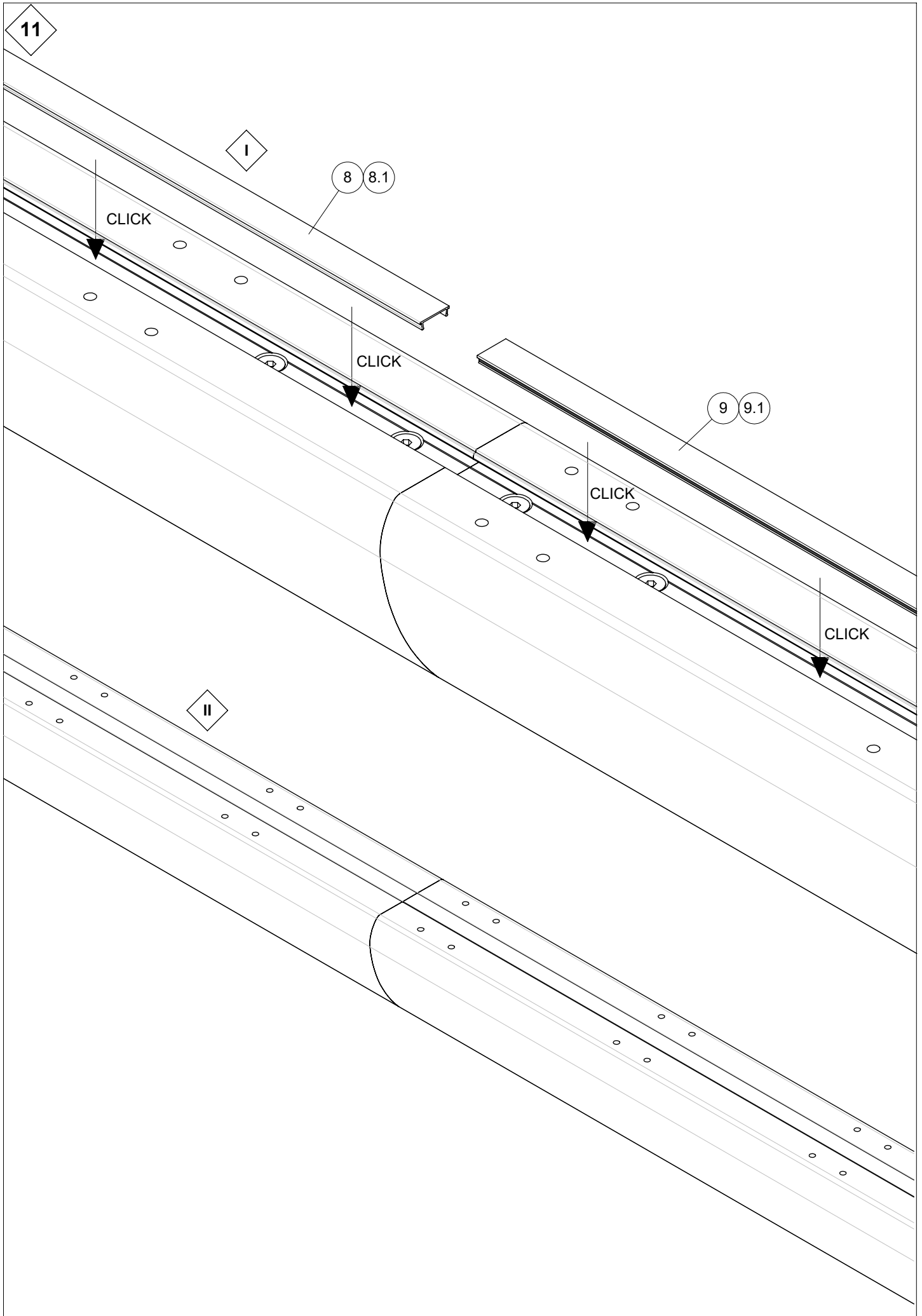


10

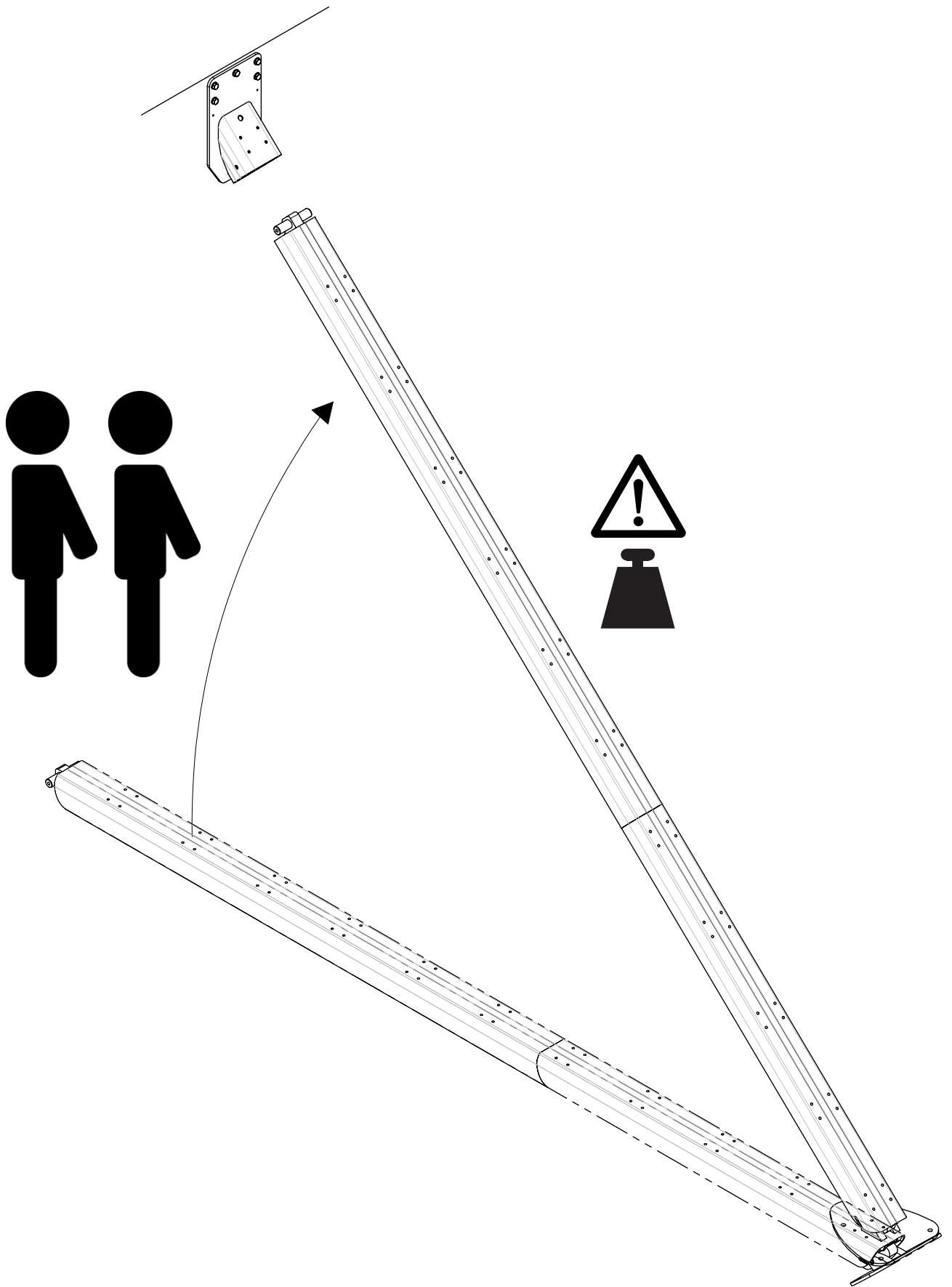
OPTION

LED kit

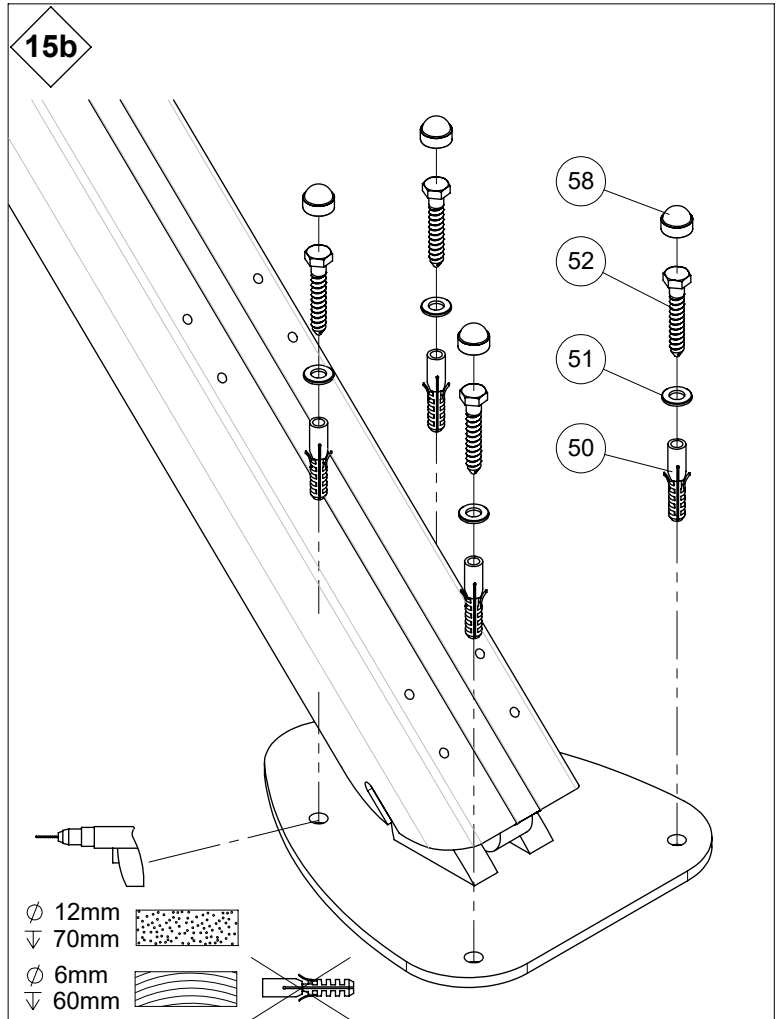
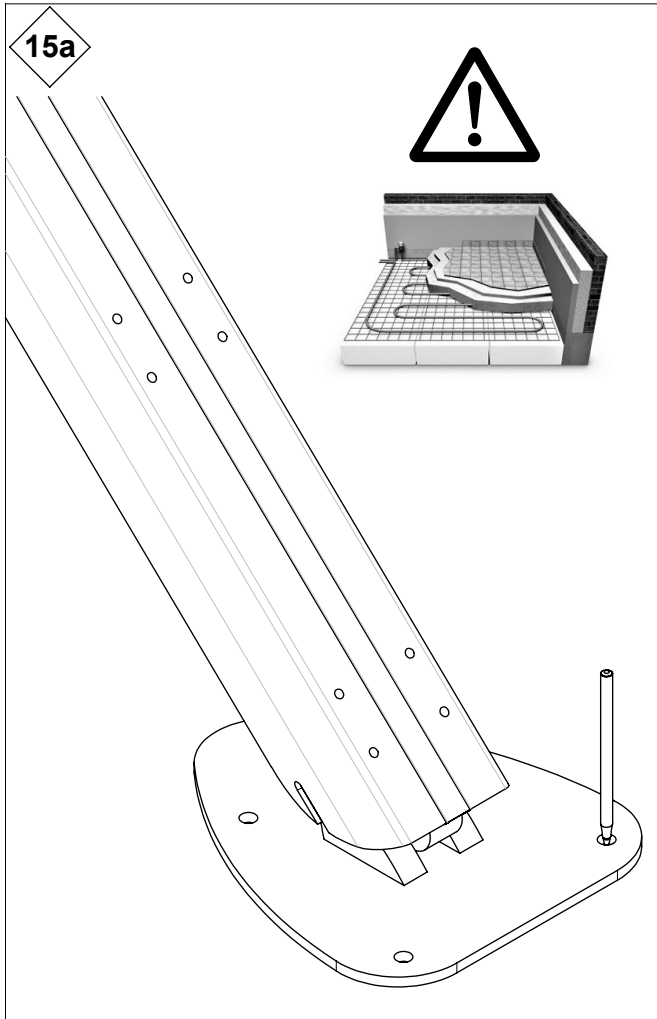
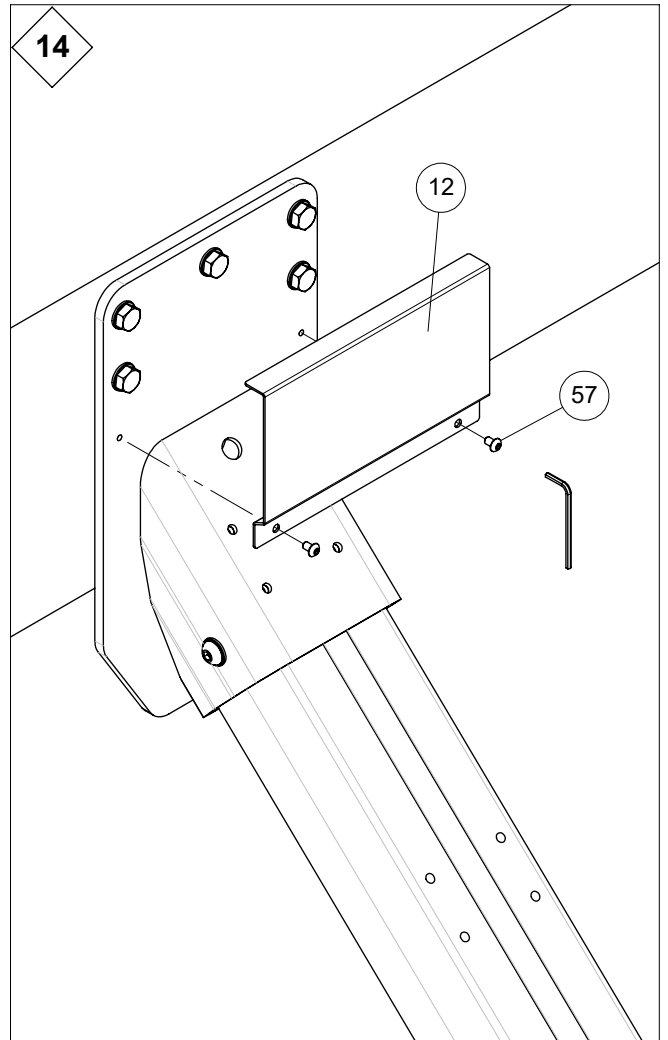
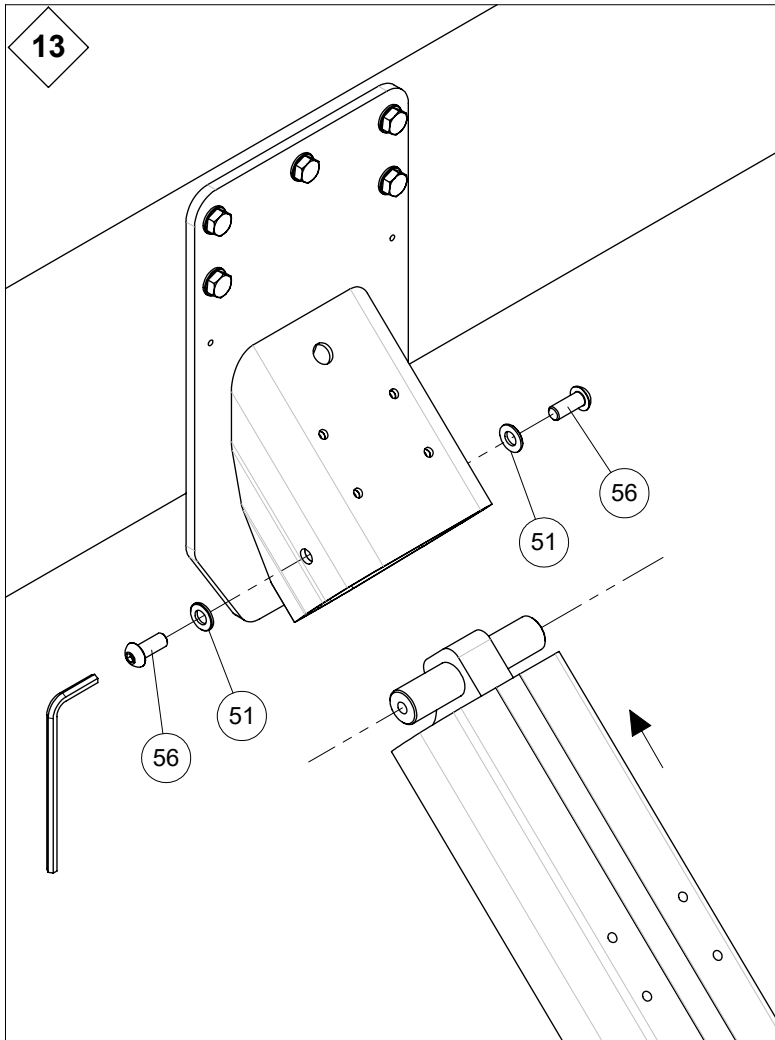


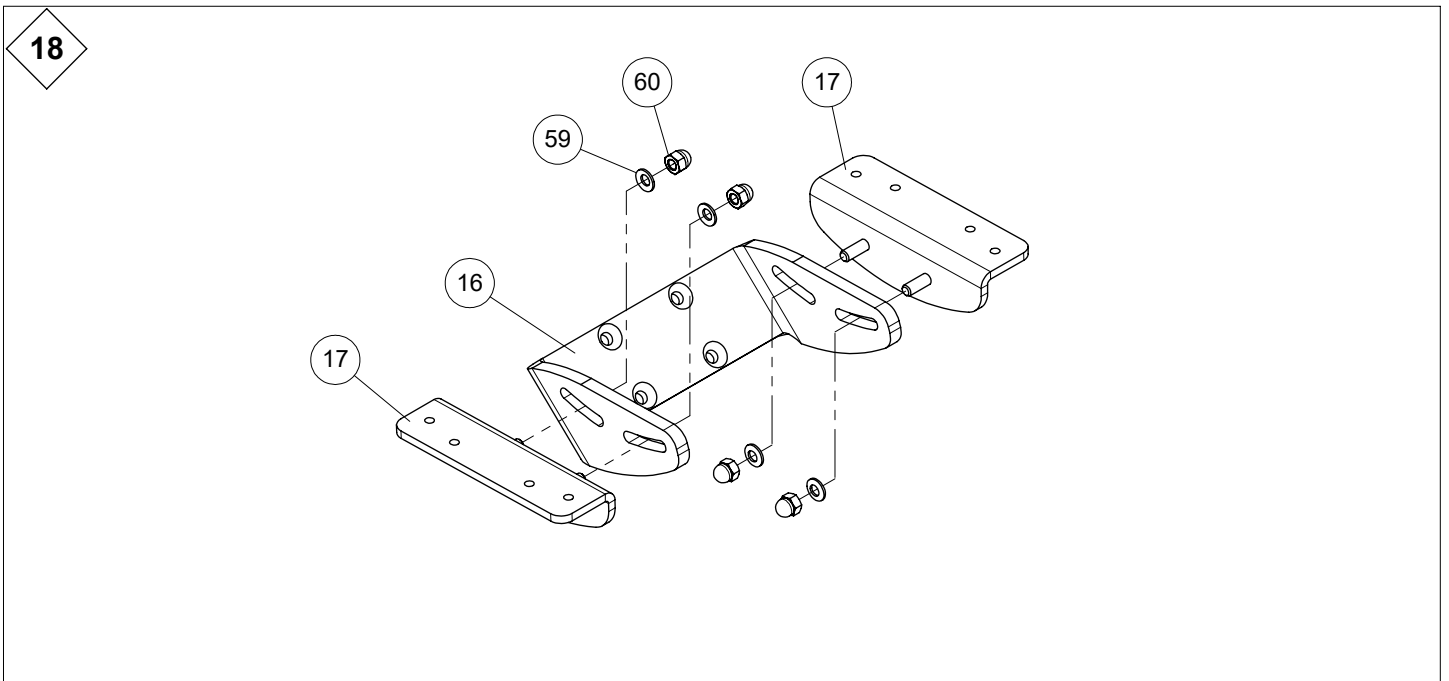
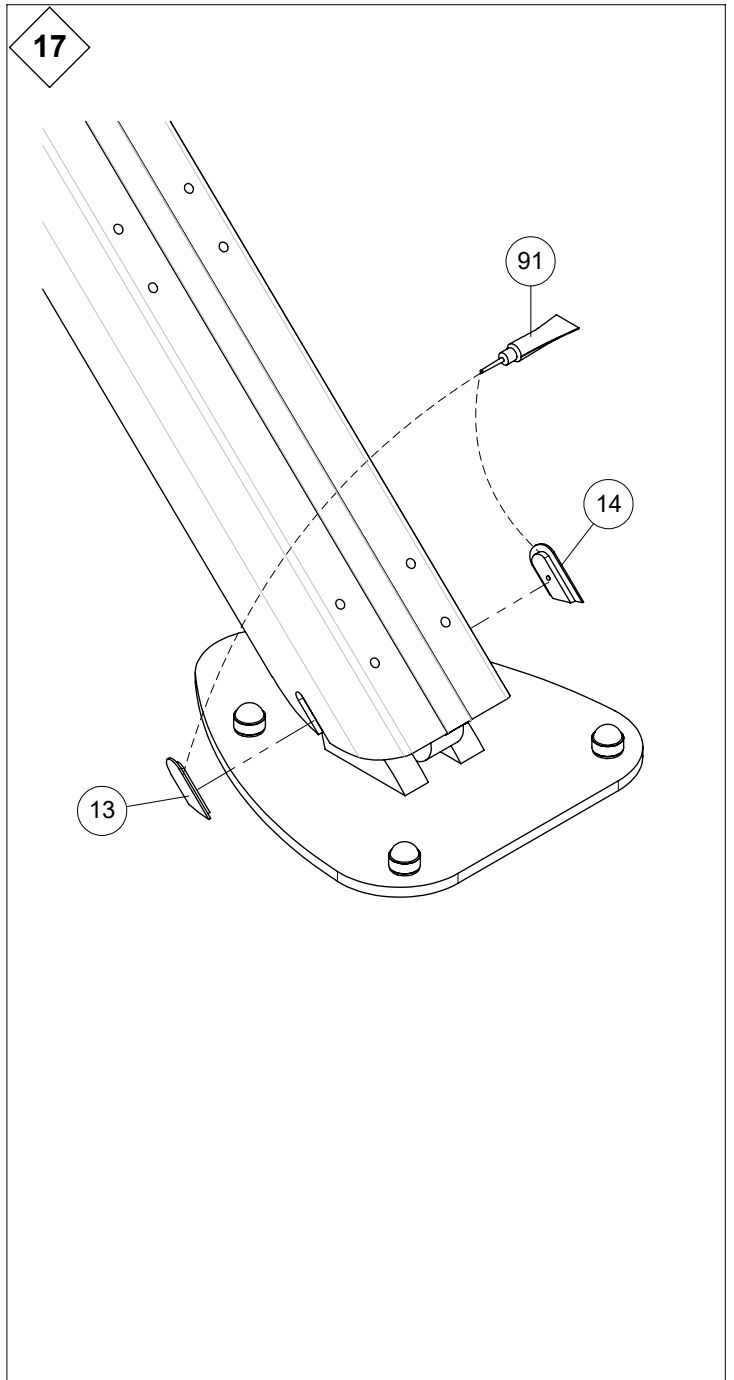
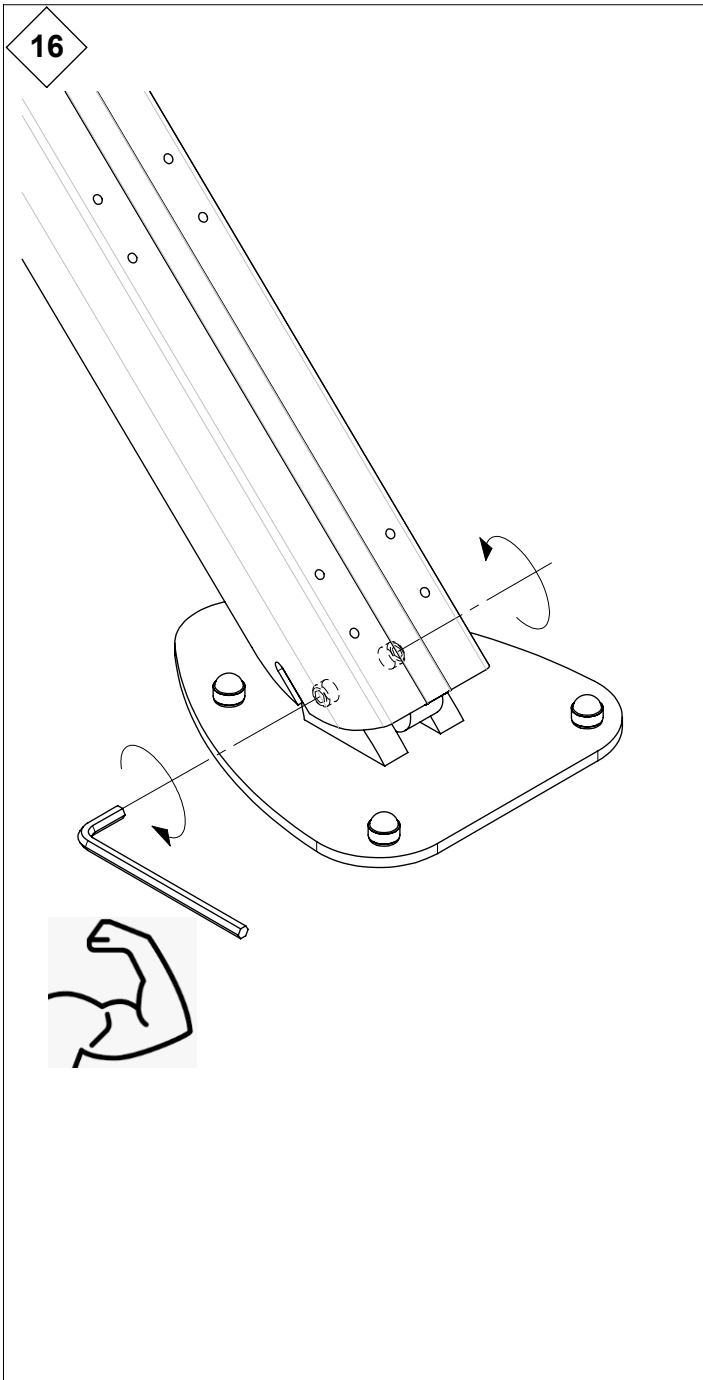


12

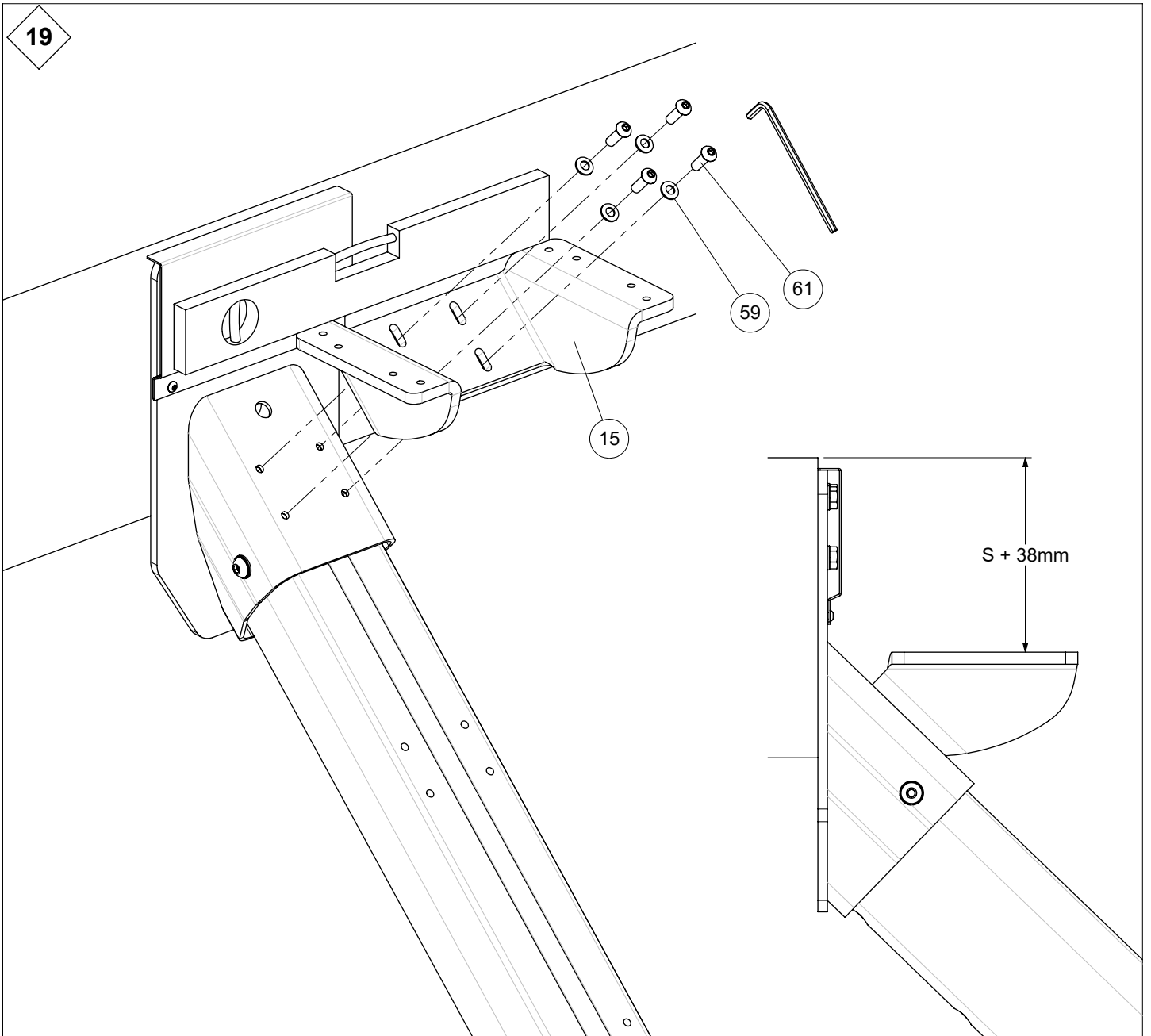




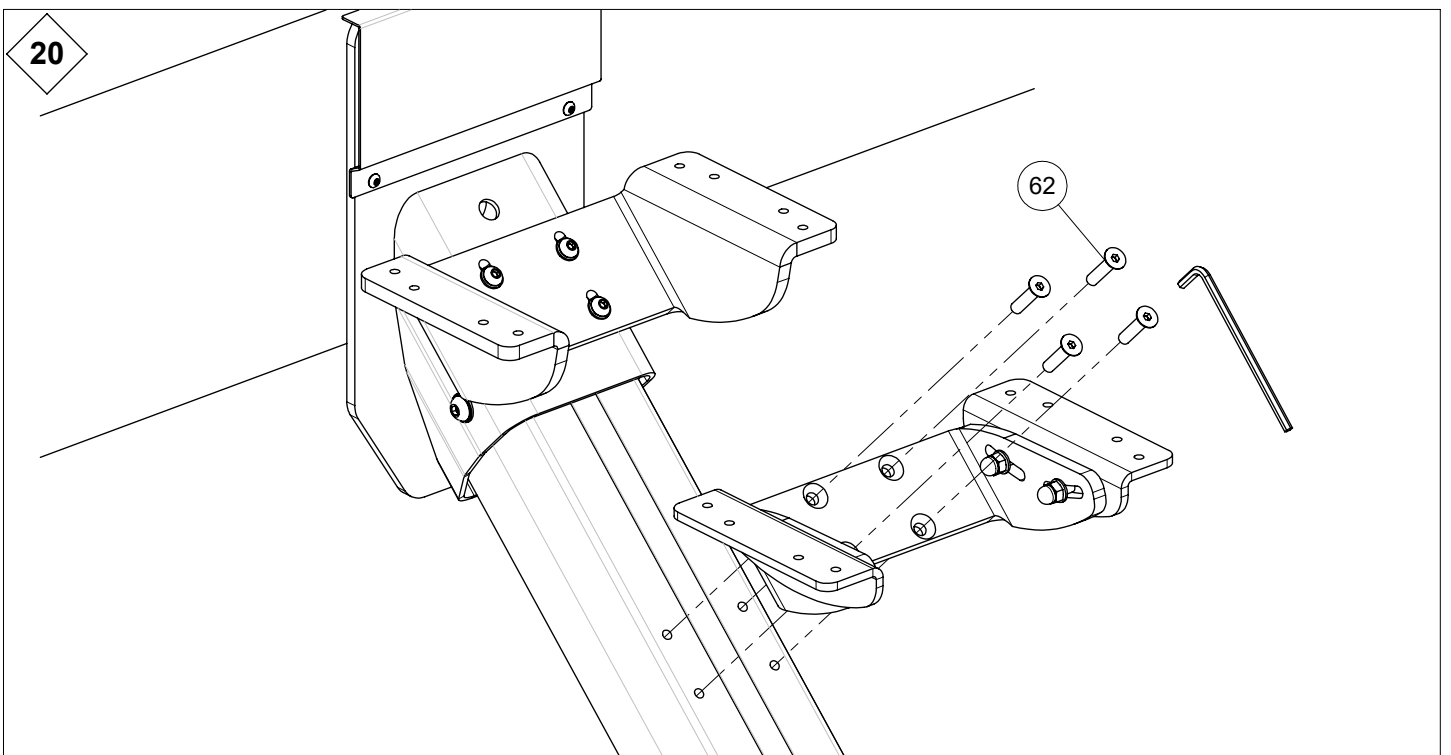


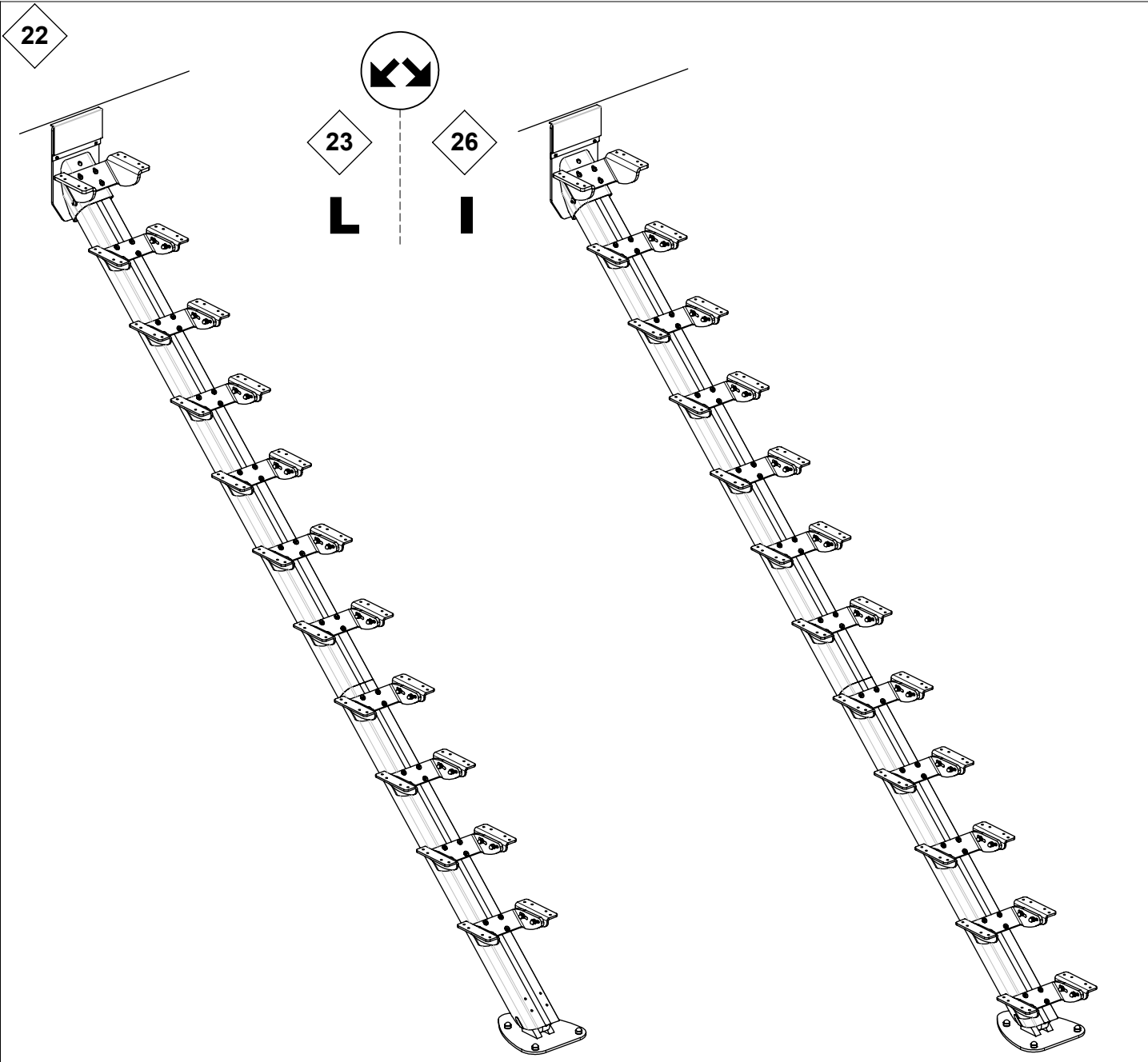
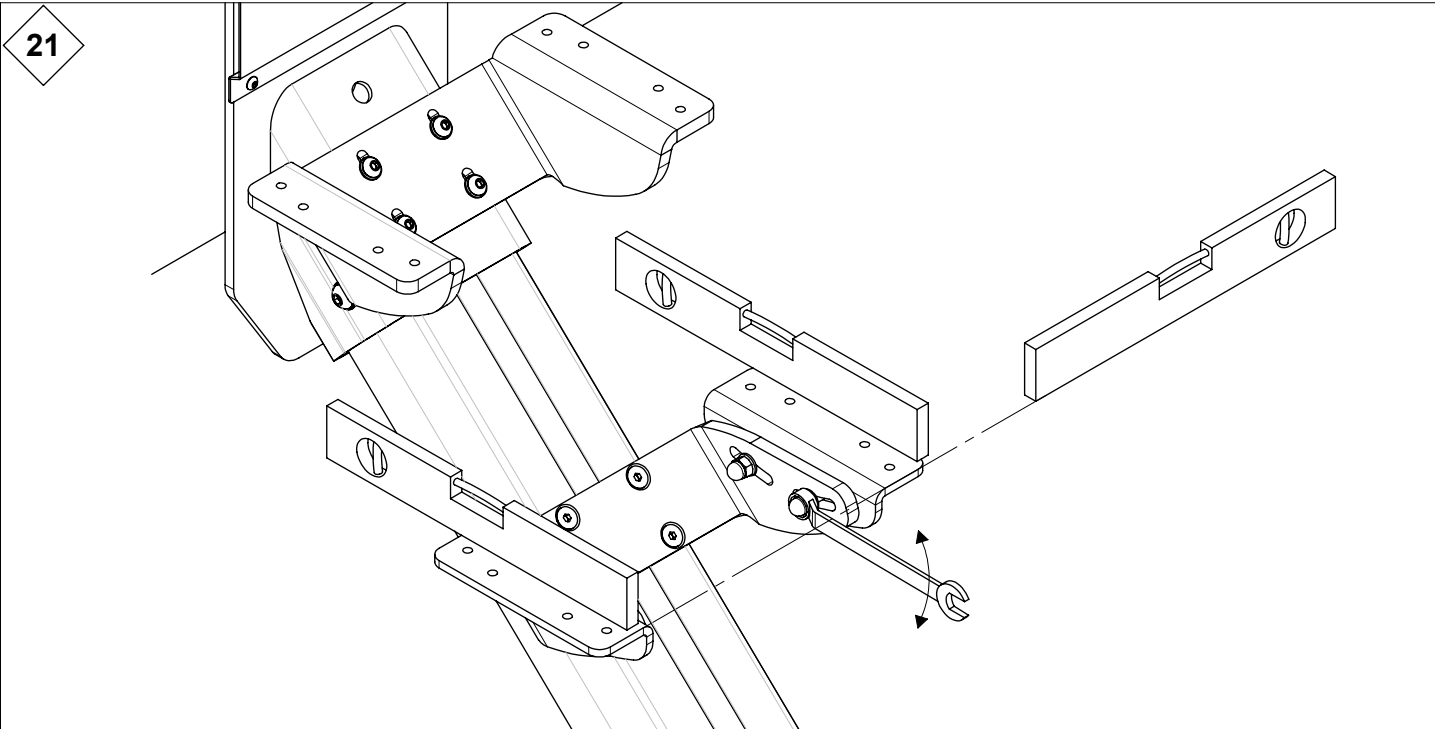


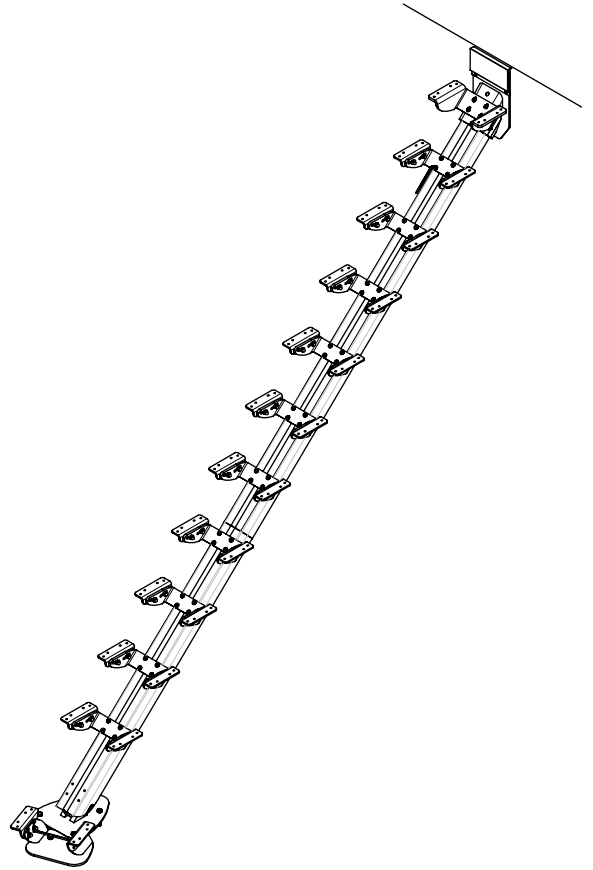
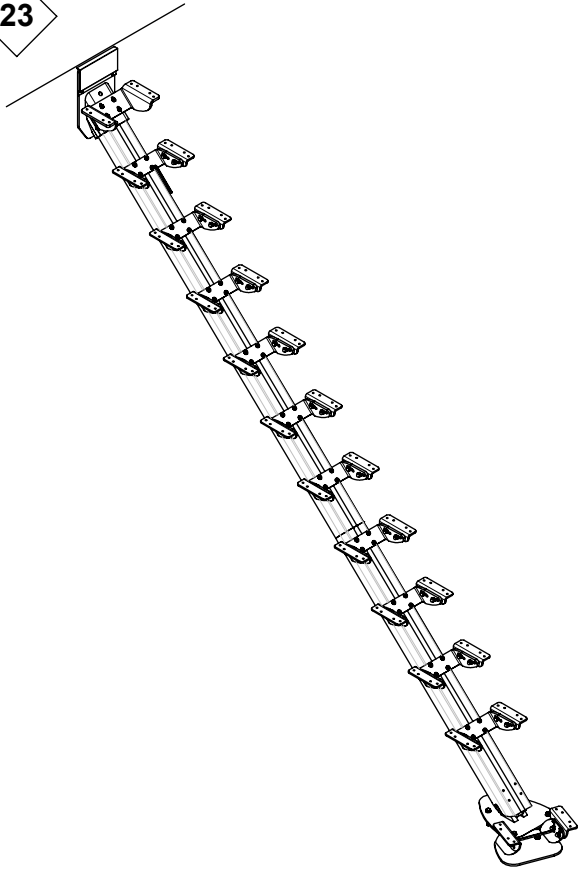
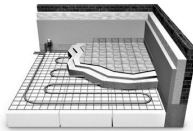
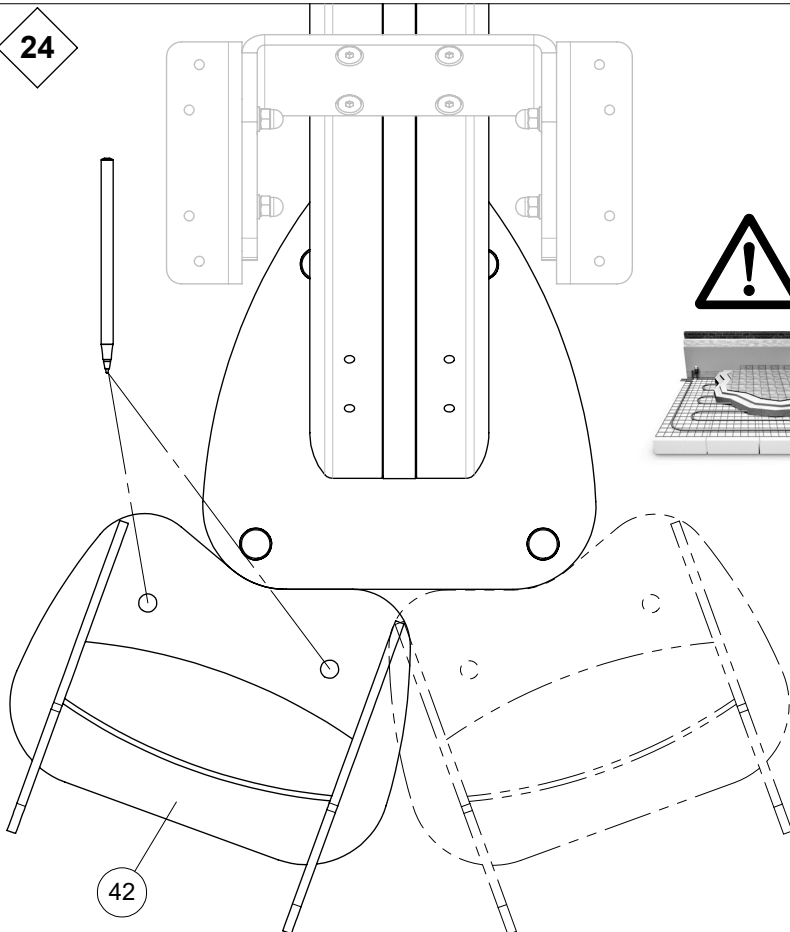
19



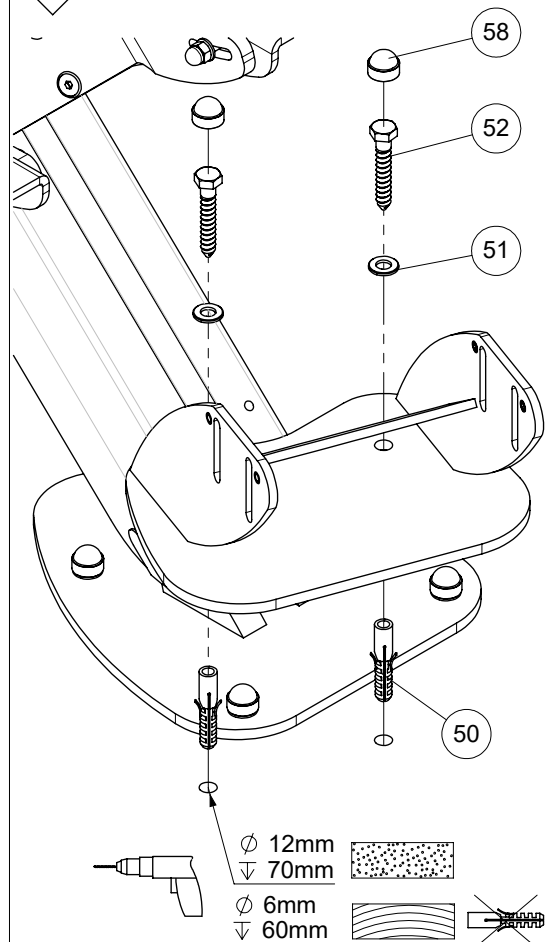
20





**L****23****24**

42

**25**

58

52

51

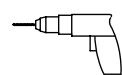
50

Ø 12mm

▽ 70mm

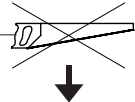
Ø 6mm

▽ 60mm

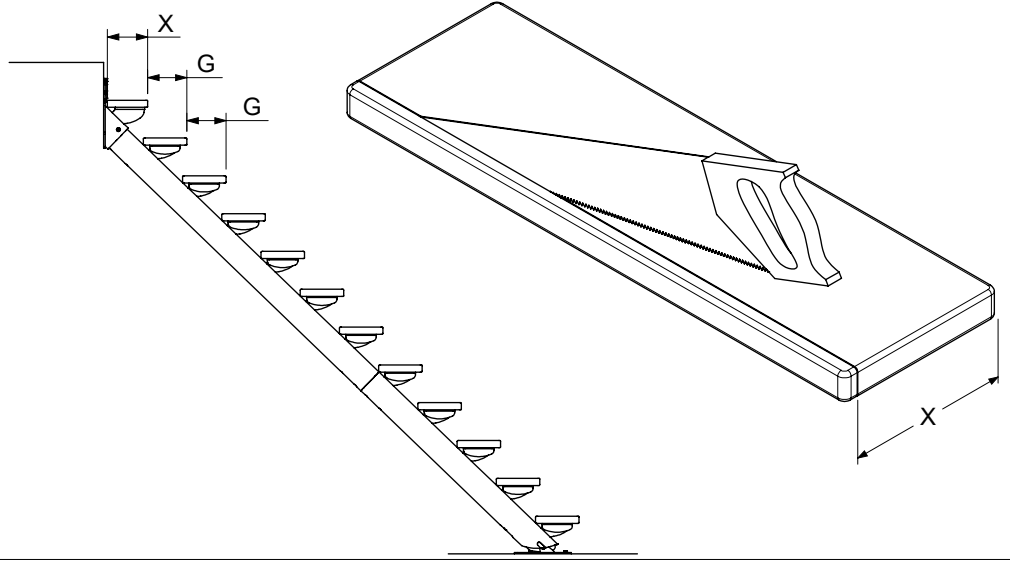


26

| G<br>mm | X<br>mm |
|---------|---------|
| 221     | 200     |
| 217     | 205     |
| 212     | 210     |
| 207     | 216     |
| 203     | 221     |
| 197     | 230     |
| 192     | 230     |
| 186     | 230     |
| 180     | 230     |

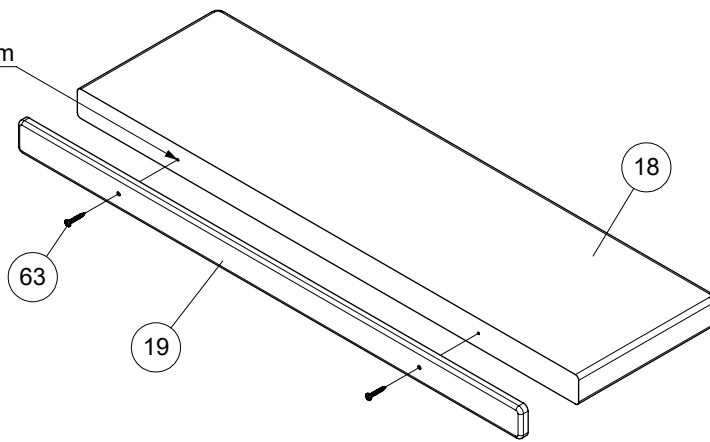
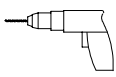


28a

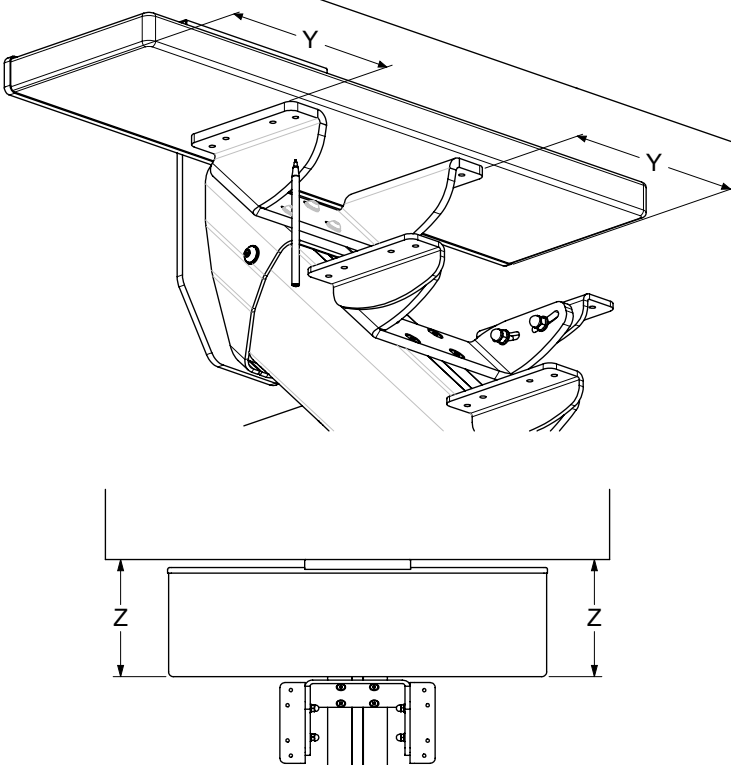


27

Ø 3mm ∇ 25mm

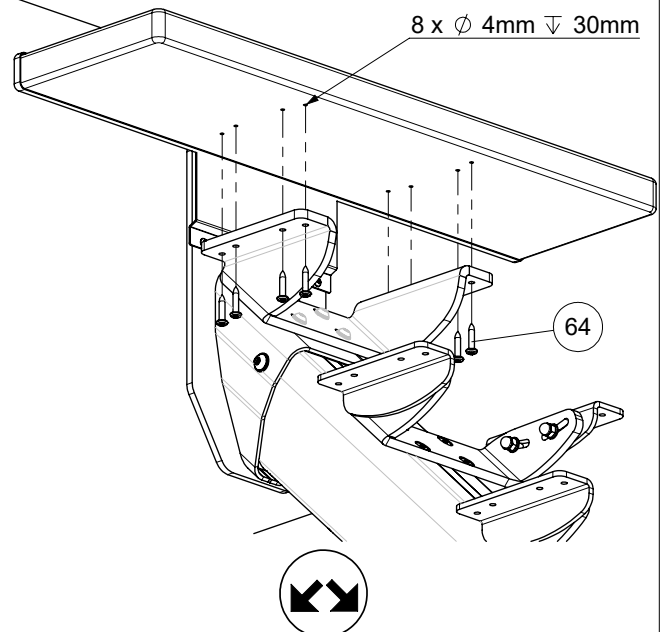
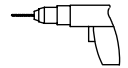


28a



28b

8 x Ø 4mm ∇ 30mm



LED kit

29

33

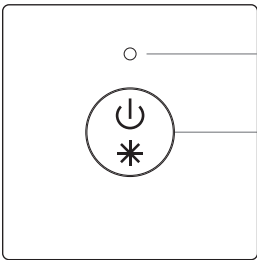
**UK: RF Single Color Remote Controller**  
**DE: RF Fernbedienung einfarbig**  
**FR: Télécommande RF couleur unique**  
**NL: RF-afstandsbediening met enkele kleur**  
**PL: Pilot zdalnego sterowania do oświetlenia LED**  
**DK: RF Enkelt farve fjernbetjening**



**UK: Important: Read All Instructions Prior to Installation**  
**DE: Wichtig: Lesen Sie VOR dem Einbau die gesamte Bedienungsanleitung einmal durch!**  
**FR: Important : Lire toutes les instructions avant installation**  
**NL: Belangrijk: Lees alle instructies vóór installatie**  
**PL: UWAGA! Przed montażem należy zapoznać się z całą instrukcją**  
**DK: VIGTIGT: Læs instruktionerne før installation**

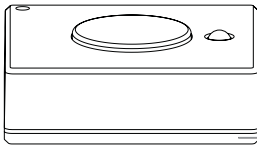
**UK: Funtion introduction**  
**DE: Erklärung Bedienung**  
**FR: Fonctions d'introduction**  
**NL: Inleidende functies**  
**PL: Funkcje - wprowadzenie**  
**DK: Anvendelse**

UK: LED indicator  
 DE: LED Anzeige  
 FR: Indicateur LED  
 NL: LED-indicator  
 PL: Wskaźnik LED  
 DK: LED indikator



UK: Click to turn on/off. Press and hold down to increase/decrease light intensity  
 DE: Drücken zum Ein- und Ausschalten. Gedrückt halten, um die Helligkeit zu erhöhen oder zu verringern.  
 FR: Cliquez pour allumer/éteindre. Maintenez le bouton enfoncé pour augmenter/diminuer l'intensité lumineuse.  
 NL: Klik om aan/uit te zetten. Houd de knop ingedrukt om de lichtintensiteit te verhogen/verlagen.  
 PL: Naciśnij, aby włączyć/wyłączyć oświetlenie LED. Naciśnij i przytrzymaj, aby zwiększyć/zmniejszyć intensywność oświetlenia  
 DK: Klik på tænd/sluk knappen. Klik og hold knappen nede for at justere lysstyrken.

UK: Front side  
 DE: Vorderseite  
 FR: Face avant  
 NL: Voorkant  
 PL: Przednia strona  
 DK: Forside



UK: If the remote is out of power, you can open the back cover and replace the battery (CR2025)  
 DE: Wenn die Batterie der Fernbedienung leer ist, öffnen Sie die Rückseite und legen Sie neue Batterien ein (CR2025).  
 FR: Si la télécommande n'est pas alimentée, vous pouvez ouvrir la couvercle arrière et remplacer la pile (CR2025).  
 NL: Als de afstandsbediening geen stroom krijgt, kunt u de achterklep openen en de batterij (CR2025) vervangen.  
 PL: W przypadku, kiedy pilot nie reaguje, otwórz tylną pokrywę i wymień baterię (CR2025)  
 DK: Hvis fjernbetjeningen er tør for strøm, kan bagklappen åbnes til skift af batteri (CR2025)

**UK: Operation**  
**DE: Bedienung**  
**FR: Fonctionnement**  
**NL: Bediening**  
**PL: Działanie**  
**DK: Anvendelse**

1. UK: Pair with RF receivers  
 DE: Verbinden der Fernbedienung mit einem RF Empfänger  
 FR: Appairage avec les récepteurs RF  
 NL: Koppelen met RF-ontvangers  
 PL: Sparuj z odbiornikami  
 DK: Forbind med RF modtagere

a) UK: Click "Learning Key" on RF receiver  
 DE: Drücken Sie "Learning Key" am RF Empfänger.  
 FR: Cliquez sur "Learning Key" (clé d'apprentissage) sur le récepteur RF  
 NL: Klik op "Learning Key" op de RF-ontvanger  
 PL: Zaciśnij "Learning Key" na odbiorniku  
 DK: "Klik "Learning Key" på RF modtageren"

b) UK: Click the on/off button on RF remote  
 DE: Drücken Sie den on/off Knopf auf der RF Fernbedienung.  
 FR: Cliquez sur le bouton marche/arrêt sur la télécommande RF  
 NL: Klik op de aan/uit-knop van de RF-afstandsbediening  
 PL: Naciśnij przycisk ON/OFF na pilocie  
 DK: Klik på tænd/sluk knap på RF fjernbetjeningen

c) UK: LED lights connected with the RF receiver will flicker once  
 DE: Das LED Licht, das mit dem RF Empfänger verbunden ist, flackert dann einmal kurz auf.  
 FR: Les voyants lumineux connectés au récepteur RF clignotent une fois.  
 NL: De LED verlichting die geconnecteerd zijn met de RF ontvanger zullen éénmalig oplichten.  
 PL: Po podłączeniu diody LED zamigotają raz  
 DK: LED lys forbundet med RF modtageren

d) UK: The receiver is paired with remote successfully.  
 DE: Danach ist der Empfänger erfolgreich mit der Fernbedienung verbunden.  
 FR: Le récepteur est appairé avec succès télécommande avec succès.  
 NL: De ontvanger is succesvol gekoppeld met de afstandsbediening.  
 PL: Odbiornik został połączony z pilotem  
 DK: Modtageren er nu succesfuldt forbundet med fjernbetjeningen.

2. UK: How to delete the pairing:  
 DE: Verbindung zwischen RF Empfänger und Fernbedienung trennen:  
 FR: Comment annuler l'appairage:  
 NL: Hoe de koppeling te annuleren:  
 PL: Jak usunąć sparowanie  
 DK: Sådan fjernes en forbindelse

UK: Press and hold down "Learning Key" on the receiver for over 3 seconds until connected LED lights flicker twice, which means the pairing is deleted successfully.  
 DE: Drücken Sie die Taste "Learning Key" am Empfänger und halten sie diese mehr als 3 Sekunden gedrückt bis das verbundene LED Licht 2x blinkt. Dann ist die Verbindung getrennt.  
 FR: Appuyez sur la touche "Learning Key" (clé d'apprentissage) du récepteur et maintenez-la enfoncée pendant plus de 3 secondes jusqu'à ce que les voyants LED connectés clignotent deux fois, ce qui signifie que l'appairage est annulé avec succès.  
 NL: Houd de "Learning Key" knop op de ontvanger langer dan 3 seconden ingedrukt totdat de aangesloten LED's twee keer knipperen. Dit betekent dat de koppeling met succes is geannuleerd.  
 PL: Naciśnij i przytrzymaj "Learning Key" na odbiorniku przez ponad 3 sekundy, aż połączona dioda LED zamigotają dwa razy.  
 DK: "Klik og hold knappen "Learning Key" på modtageren i mere end 3 sekunder indtil det forbundet LED lys blinker to gange, hvilket betyder at afbyrdselsen nu er gennemført."

09.2807S.04134

**UK: Product Data**  
**DE: Produktdaten**  
**FR: Données relatives au produit**  
**NL: Productgegevens**  
**PL: Dane produktu**  
**DK: Produktinfo**

|  |  |
|--|--|
| UK: Output<br>DE: Ausgabe<br>FR: Tension de sortie<br>NL: Uitgang<br>PL: Wyjście<br>DK: Output   | UK: RF signal<br>DE: RF Signal<br>FR: Signal RF<br>NL: RF-signaal<br>PL: Sygnał radiowy<br>DK: FR signal   |
| UK: Operation Frequency<br>DE: Betriebsfrequenz<br>FR: Fréquence d'utilisation<br>NL: Gebruiksfrequentie<br>PL: Częstotliwość<br>DK: Driftsfrekvens                                | 868/915/434MHz   |
| UK: Power Supply<br>DE: Stromversorgung<br>FR: Alimentation électrique<br>NL: Stroomvoorziening<br>PL: Zasilanie<br>DK: Strømforsyning   | UK: 3V(CR2025 battery)<br>DE: 3V(CR2025 Batterien)<br>FR: 3V (batterie CR2025)<br>NL: 3V (CR2025-batterij)<br>PL: 3V(bateria CR2025)<br>DK: 3V(CR2025 batteri) |
| UK: Operating temperature<br>DE: Betriebstemperatur<br>FR: Plage de températures d'utilisation<br>NL: Werkende temperatuurwaaijer<br>PL: Temperatura pracy<br>DK: Driftstemperatur | 0-40°C   |
| UK: Relative humidity<br>DE: Relative Luftfeuchtigkeit<br>FR: Humidité relative<br>NL: Relatieve vochtigheid<br>PL: Wilgotność<br>DK: Relativ fugtighed                            | 8% - 80%   |
| UK: Dimensions<br>DE: Maße<br>FR: Dimensions<br>NL: Afmetingen<br>PL: Wymiary<br>DK: Dimensioner   | 32 x 32 x 9.8 mm   |

UK: Control 1 zone  
DE: Für 1 Kontrollzone  
FR: Zone de contrôle 1  
NL: Controle Zone 1  
PL: Strefa kontroli 1  
DK: Kontrolerer 1 zone

UK: Single color controller  
DE: Einfarbige Fernbedienung  
FR: Contrôleur couleur unique  
NL: Controller voor enkele kleur  
PL: Pilot zdalnego sterowania do oświetlenia LED (1 kolor)  
DK: Enkelt farve betjening

UK: Memory Function  
DE: Memory Funktion  
FR: Fonction mémoire  
NL: Opslag functie  
PL: Funkcja Zapamiętywania (Memory)  
DK: Memory funktion

UK: Compatible with all universal series RF receivers  
DE: Kompatibel mit allen RF Empfängern der Serie  
FR: Compatible avec tous les récepteurs RF universels  
NL: Compatibel met alle universele RF-ontvangers  
PL: Kompatybilne z uniwersalnymi odbiornikami radiowymi RF  
DK: Kompatibel med alle universale RF modtagere

UK: 1 receiver can be paired by max 8 different remote controls  
DE: Ein Empfänger kann mit maximal 8 anderen Fernbedienungen gekoppelt werden.  
FR: 1 récepteur peut être appairé pour max 8 télécommandes différentes  
NL: 1 ontvanger kan gekoppeld worden met tot 8 verschillende afstandsbedieningen  
PL: 1 odbiornik może być sparowany z max. 8 pilotami zdalnego sterowania  
DK: 1 modtager kan forbindes til maks. 8 forskellige fjernbetjeninger

UK: Waterproof grade: IP20 not waterproof  
DE: Grad der Wasserfestigkeit: IP20 Nicht wasserfest  
FR: Degré d'étanchéité: IP20 non étanche  
NL: Waterdichtheitsgraad: IP20 niet waterproof  
PL: Wodoodporność: IP20 nie jest wodoodporny  
DK: Vandtæt rating: IP20 ikke vandtæt

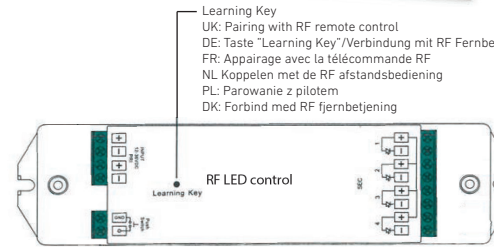
**UK: Safety & Warnings**  
**DE: Sicherheit und Warnhinweise**  
**FR: Sécurité et mises en garde**  
**NL: Veiligheidsvoorschriften en waarschuwingen**  
**PL: Bezpieczeństwo i ostrzeżenia**  
**DK: Sikkerhed & Advarsel**

UK: This device contains a button lithium battery that shall be stored and disposed properly.  
 DE: Dieses Gerät enthält eine Lithium-Knopfbatterie, die fachgerecht aufbewahrt und entsorgt werden muss.  
 FR: Cet appareil contient une pile bouton au lithium qui doit être stockée et recyclée conformément aux consignes.  
 NL: Dit toestel bevat een lithium knoop celbatterij die volgens de instructies bewaard en gerecycleerd moeten worden.  
 PL: Urządzenia zawiera baterię litową, która powinna być przechowywana, a po wyczerpaniu oddana w wyznaczonym punkcie  
 DK: Denne enhed indeholder et lithiumbatteri som bør opbevares og bortskaffes korrekt.

UK: DO NOT expose the device to moisture.  
 DE: Setzen Sie das Gerät keiner Feuchtigkeit aus!  
 FR: NE PAS exposer l'appareil à l'humidité  
 NL: Stel de unit NIET aan vocht bloot  
 PL: Nie narażać urządzenia na działanie wilgoci.  
 DK: Udsæt IKKE enheden for fugt

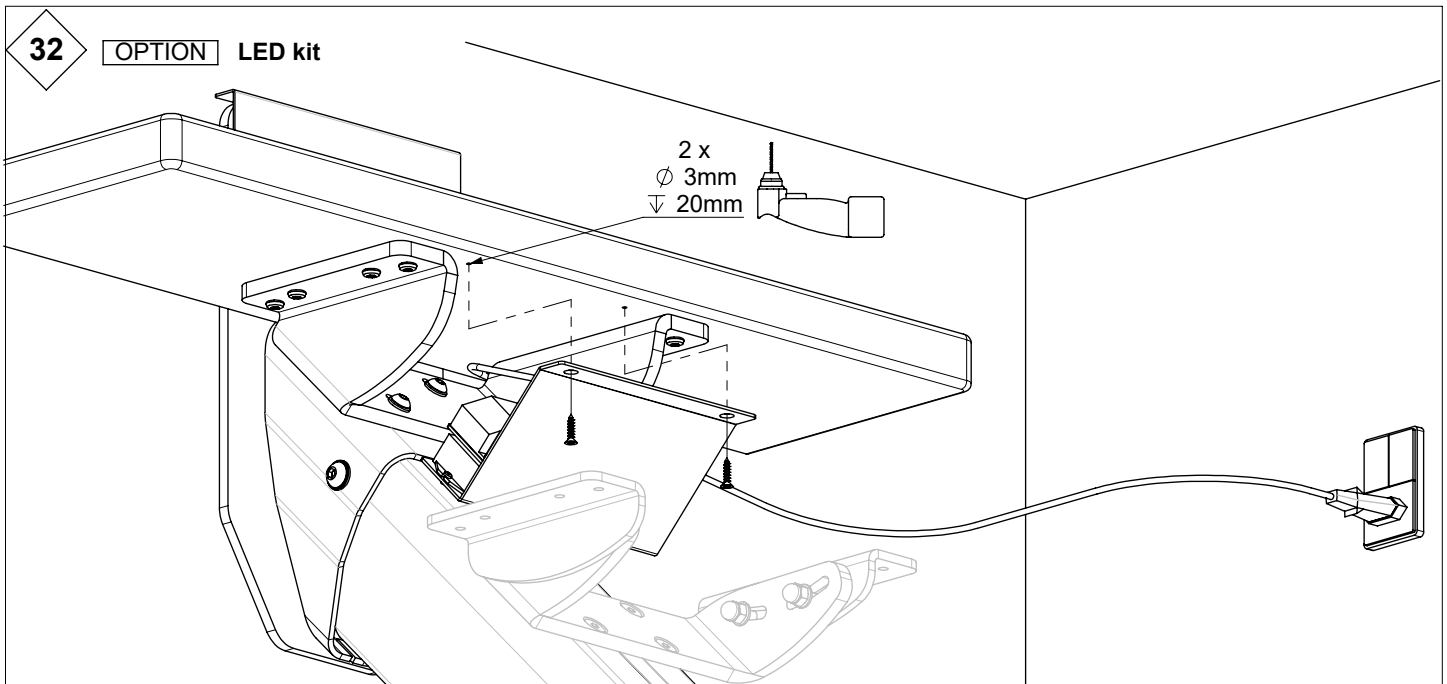
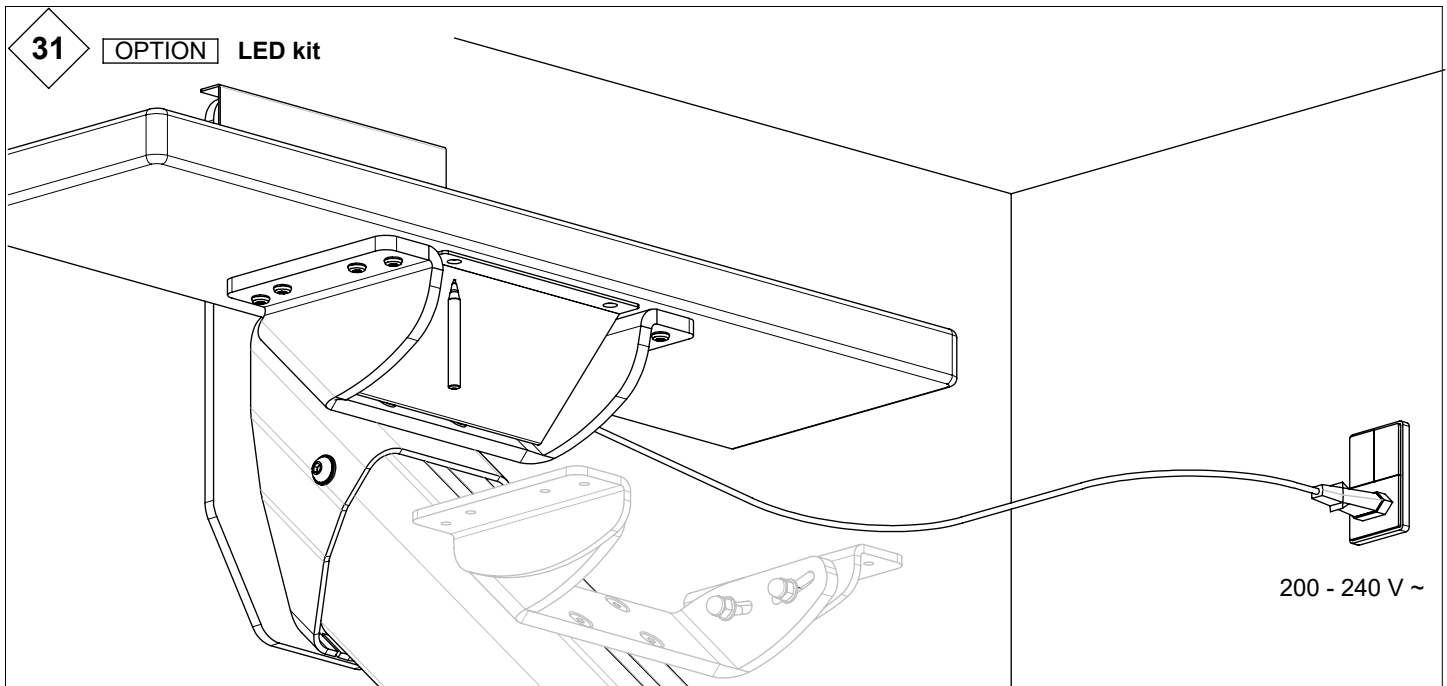
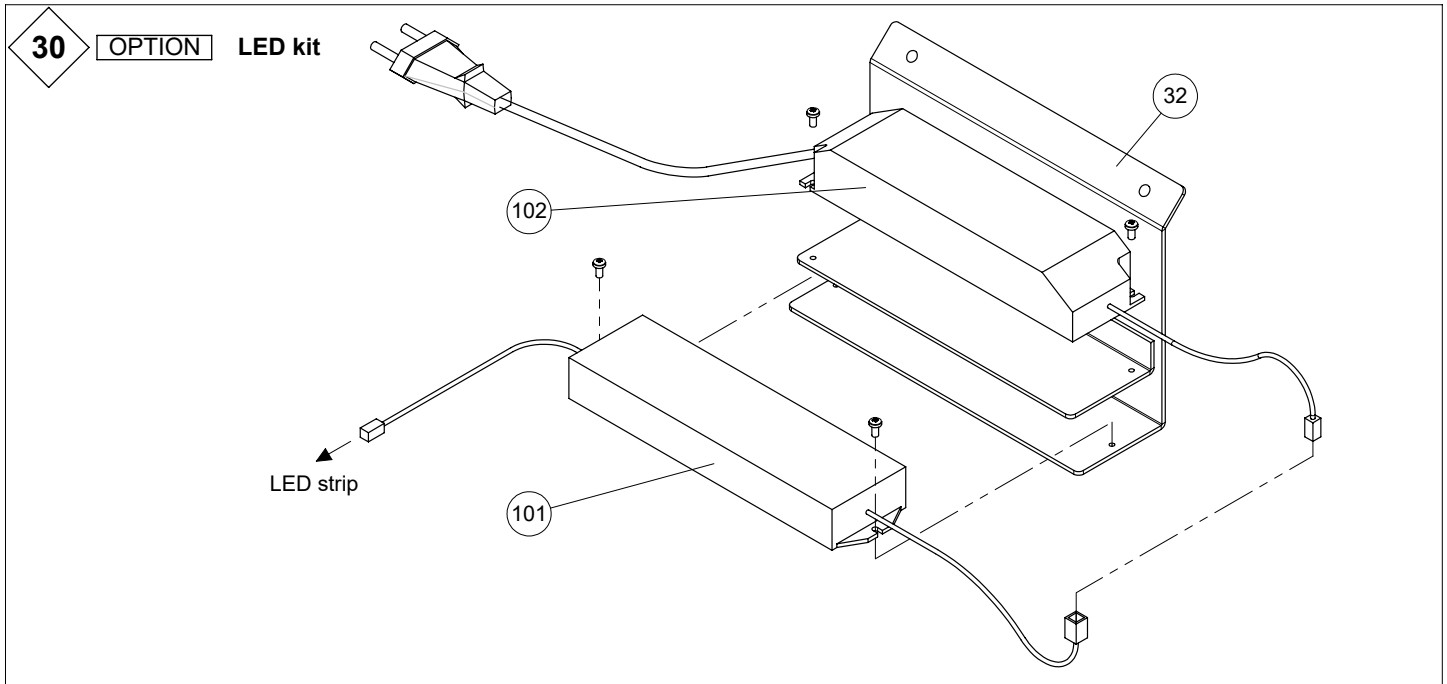


UK: Photo  
 DE: Foto  
 FR: Photo  
 NL: Foto  
 PL: Zdjęcie  
 DK: Billede



UK: Diagram  
 DE: Abbildung  
 FR: Schéma  
 NL: Plan  
 PL: Diagram  
 DK: Diagram

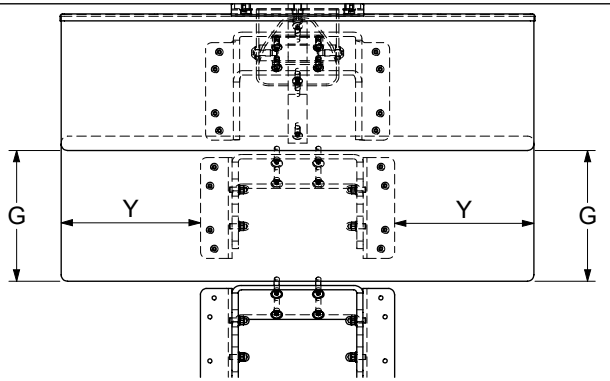
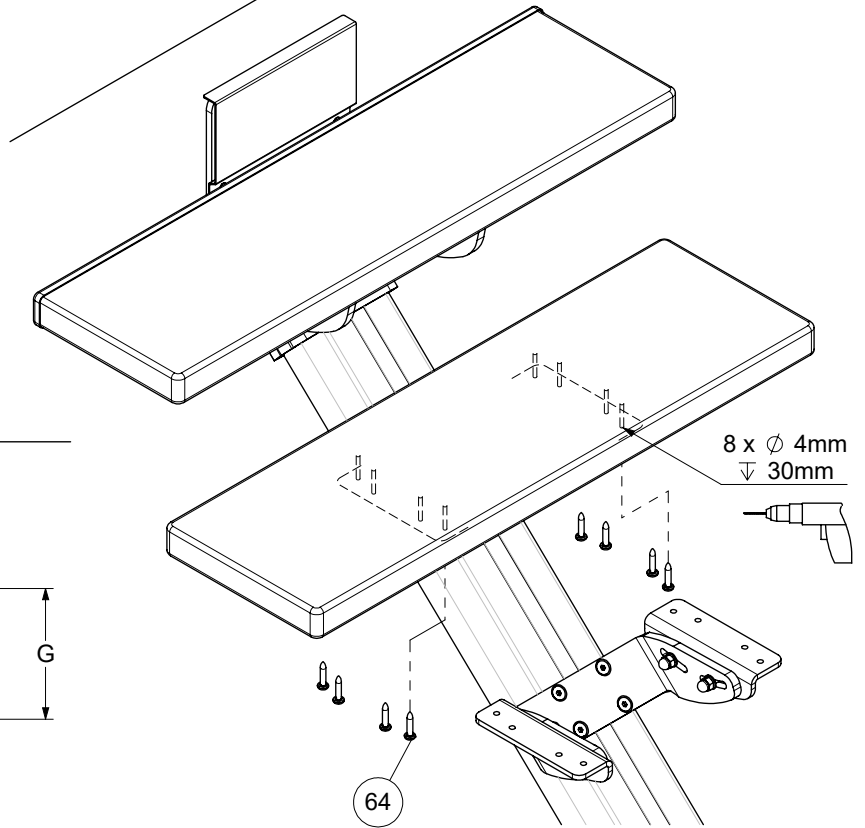
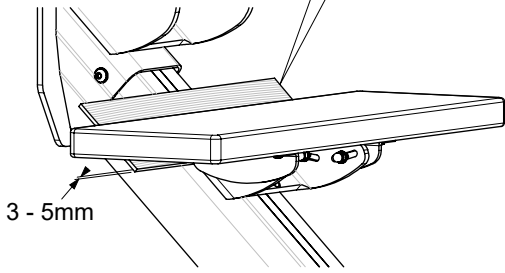






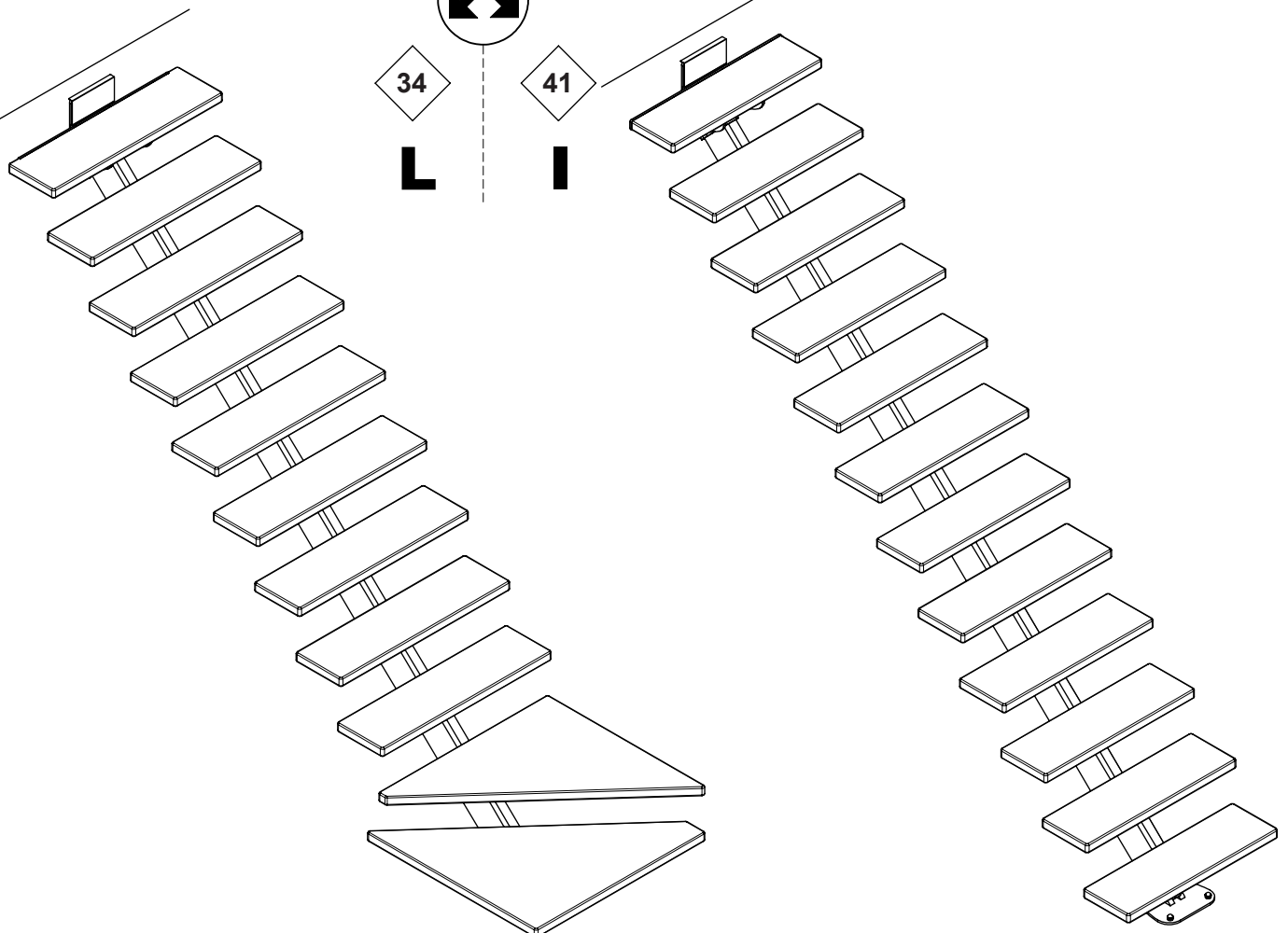
33

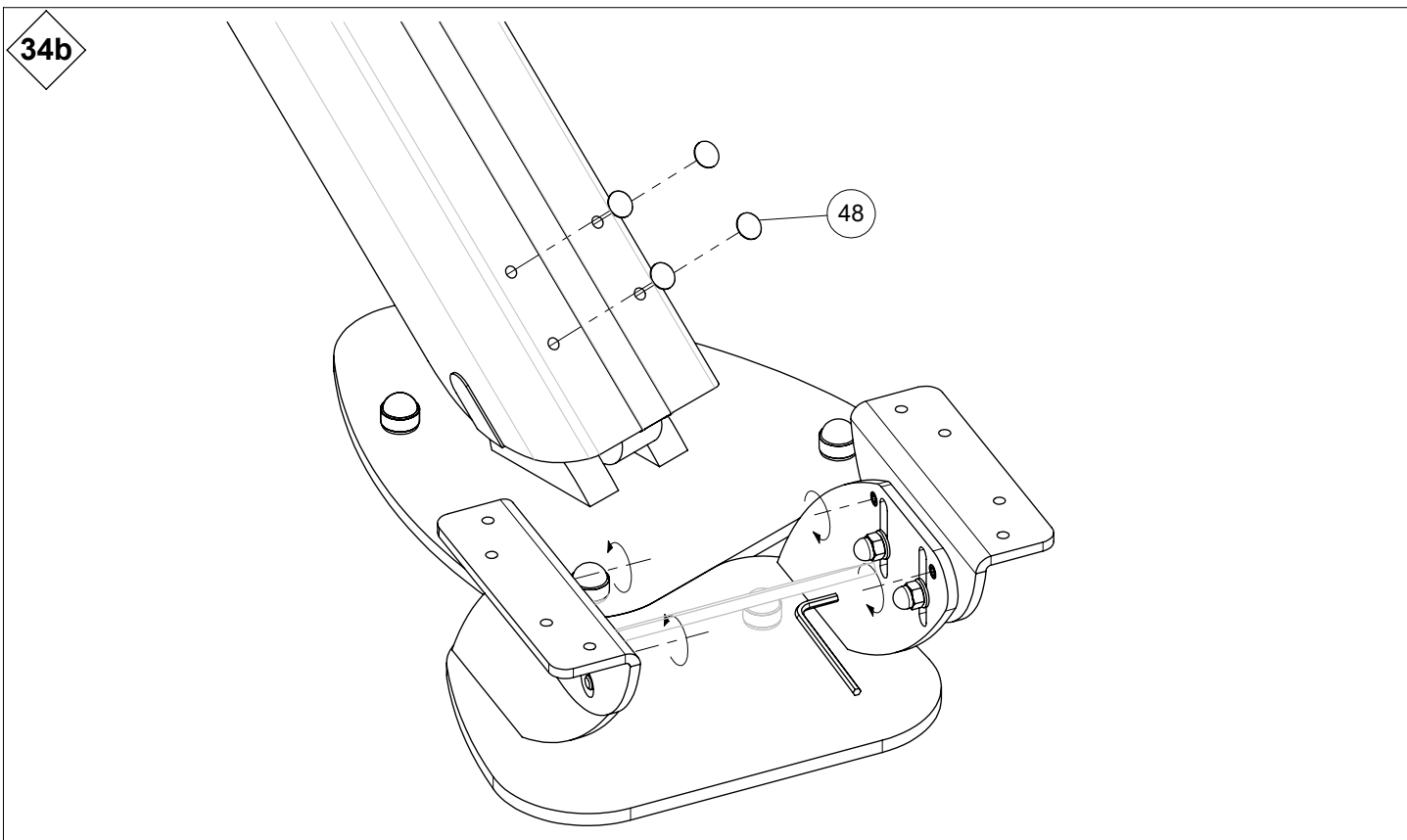
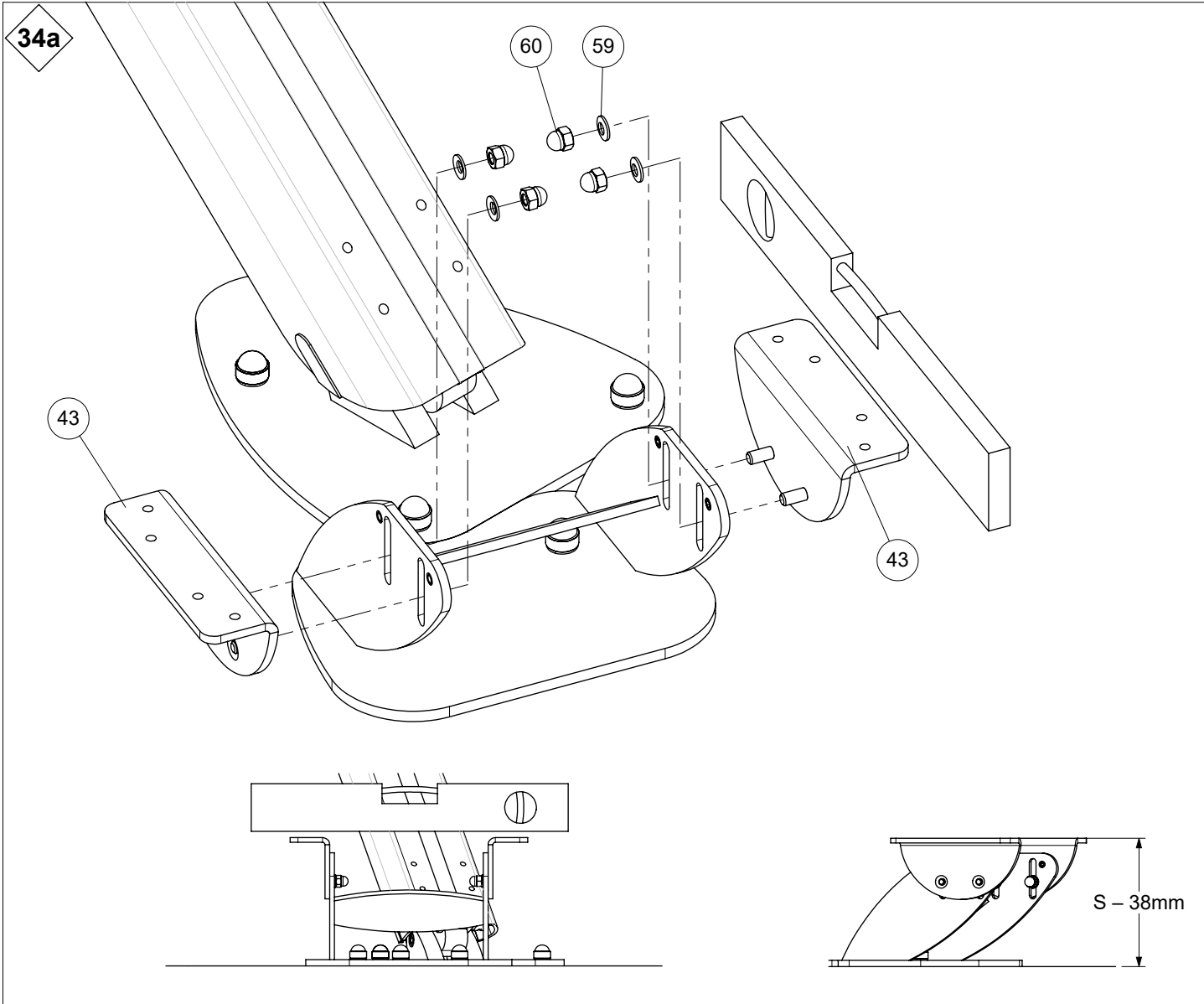
Tip!

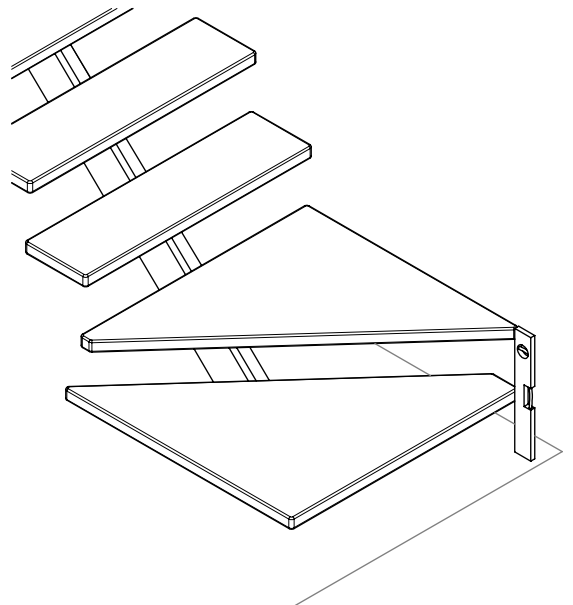
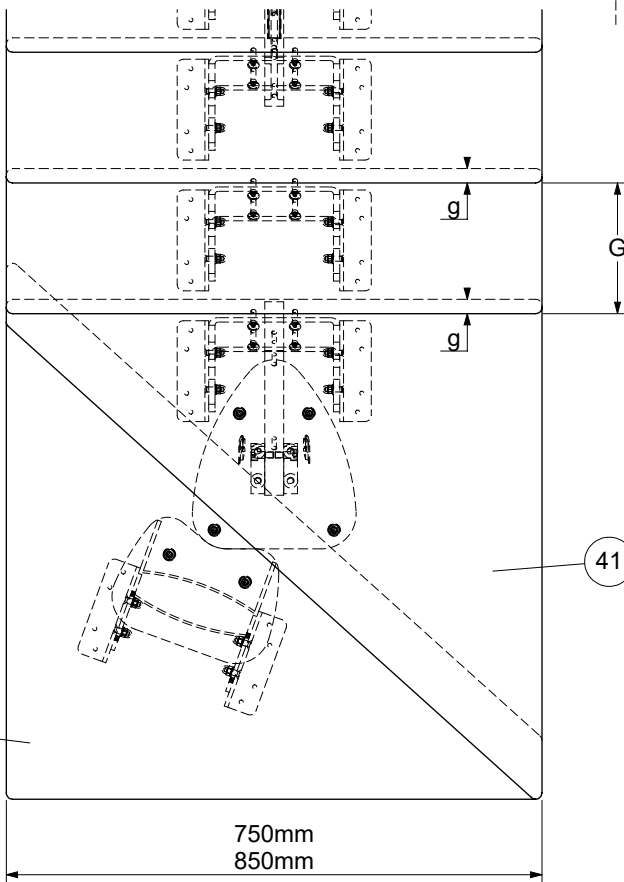
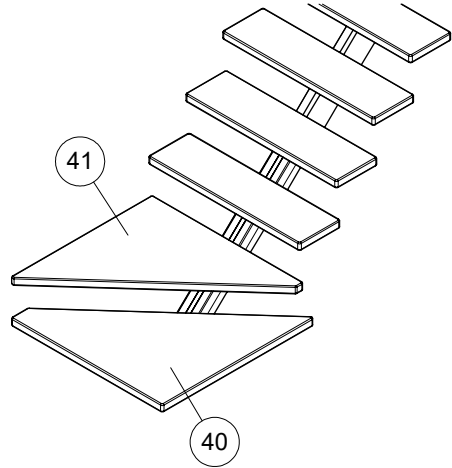
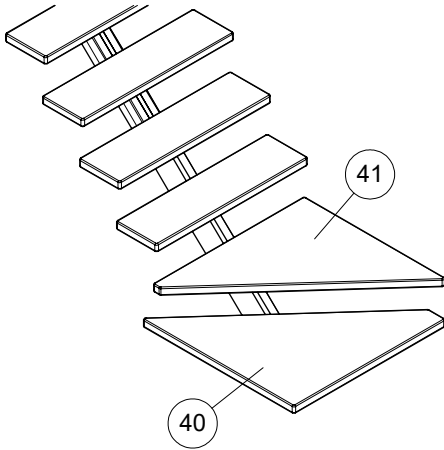
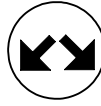


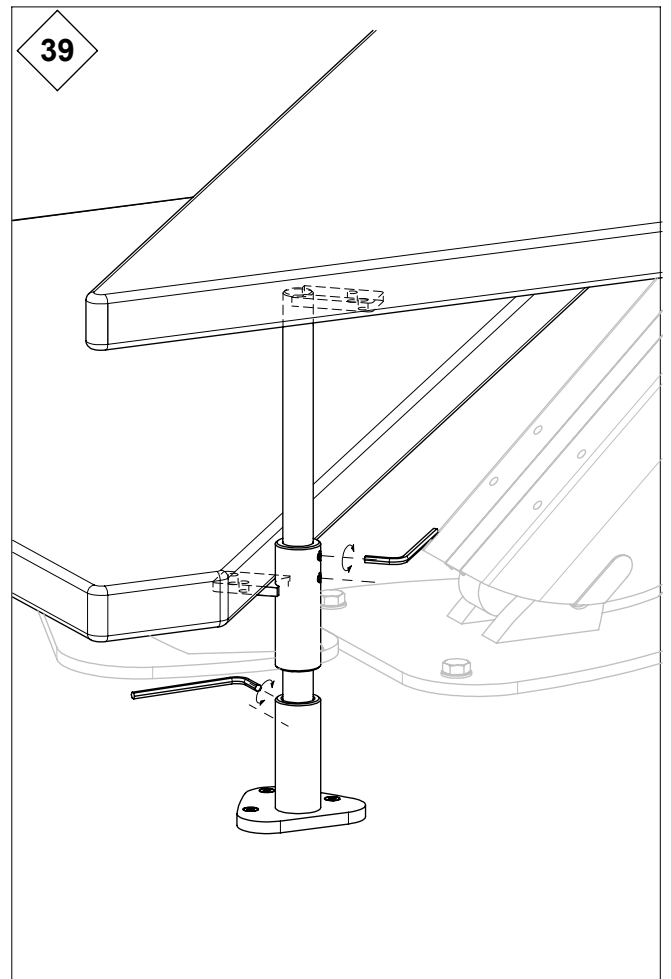
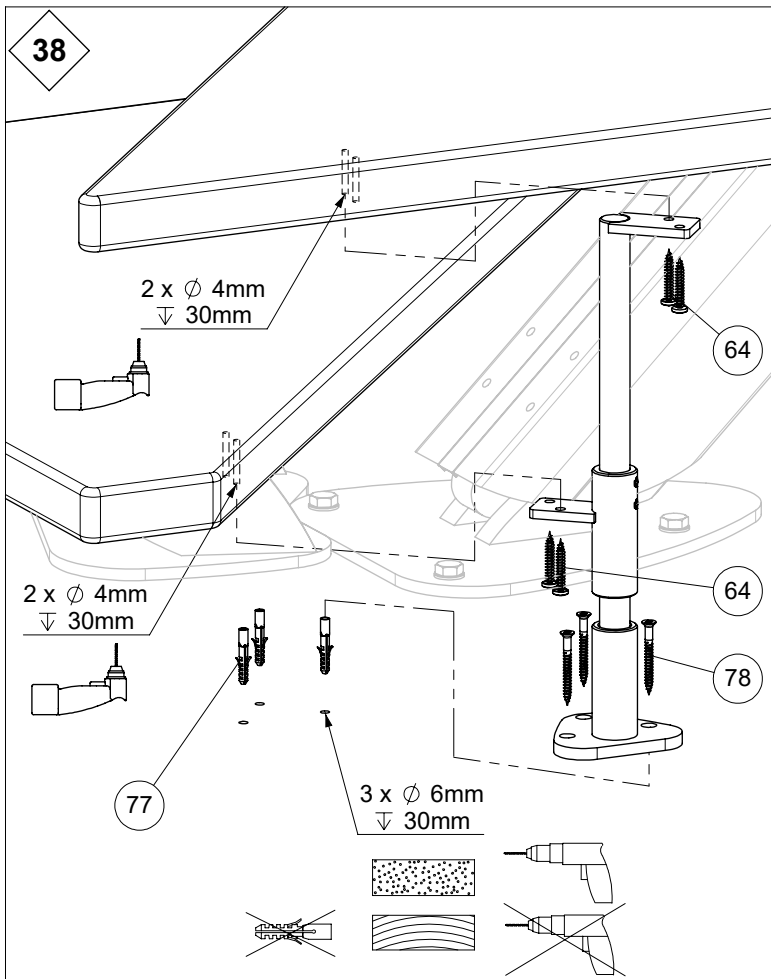
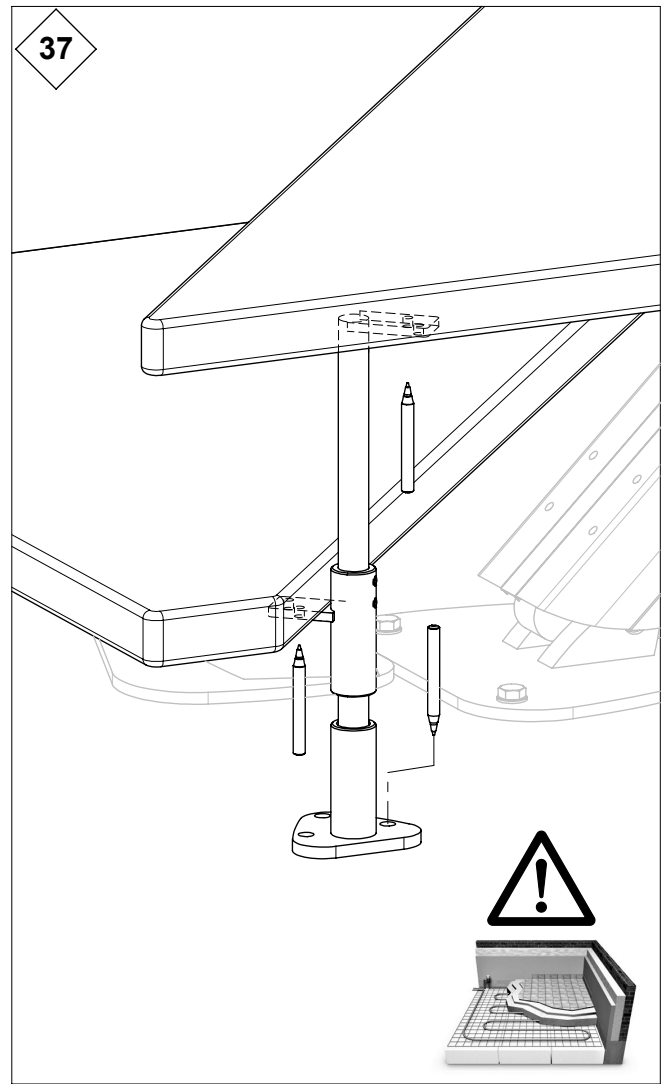
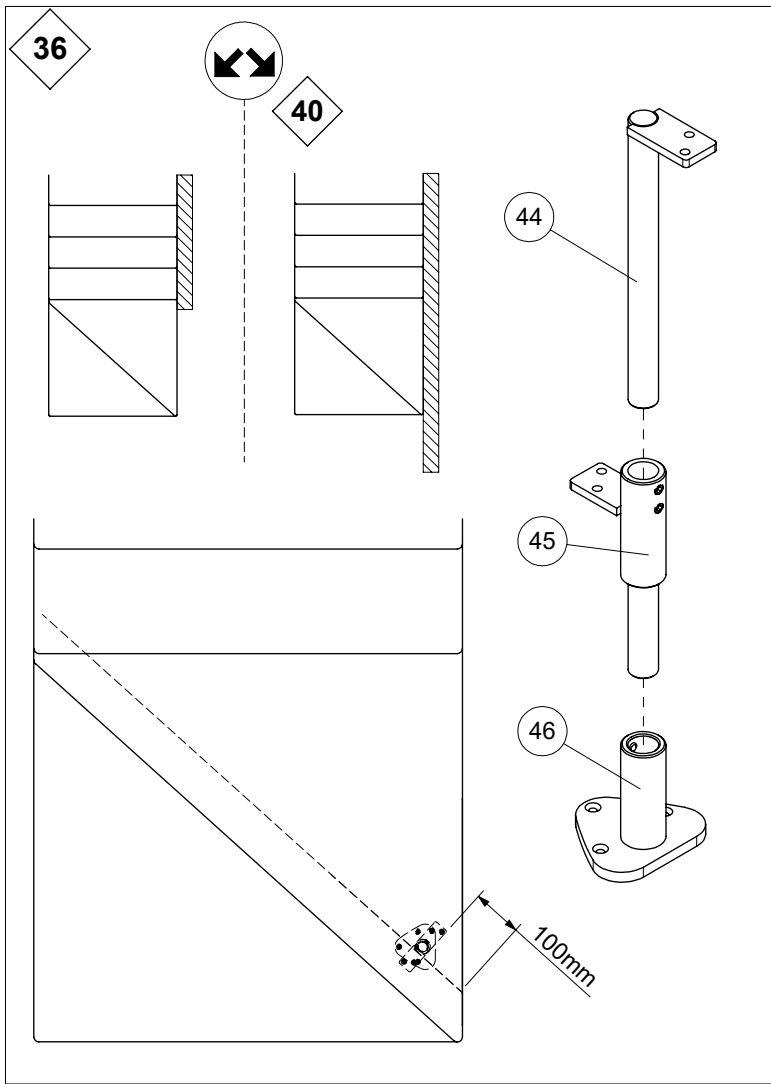
34

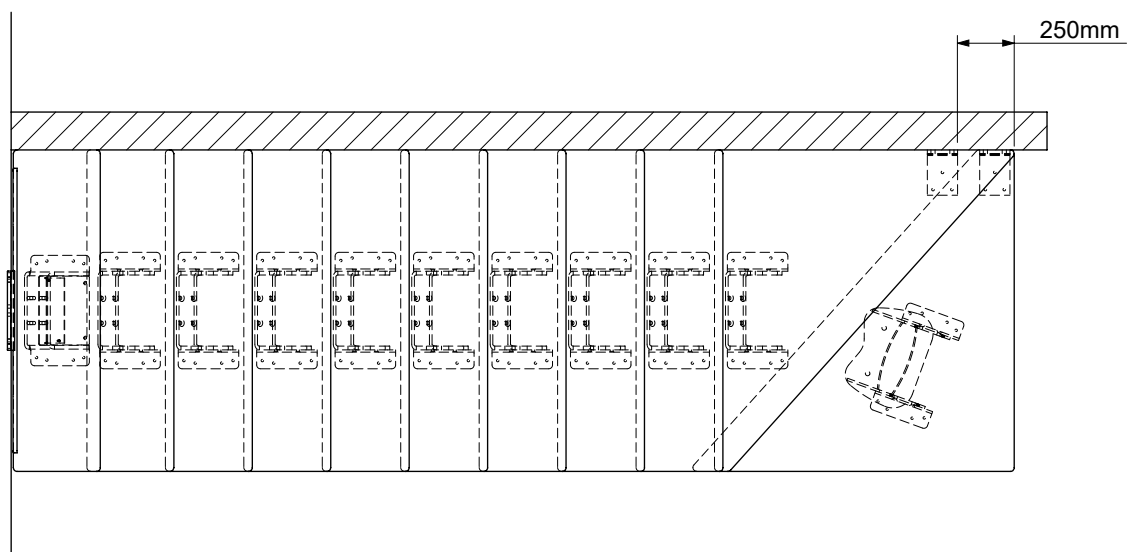
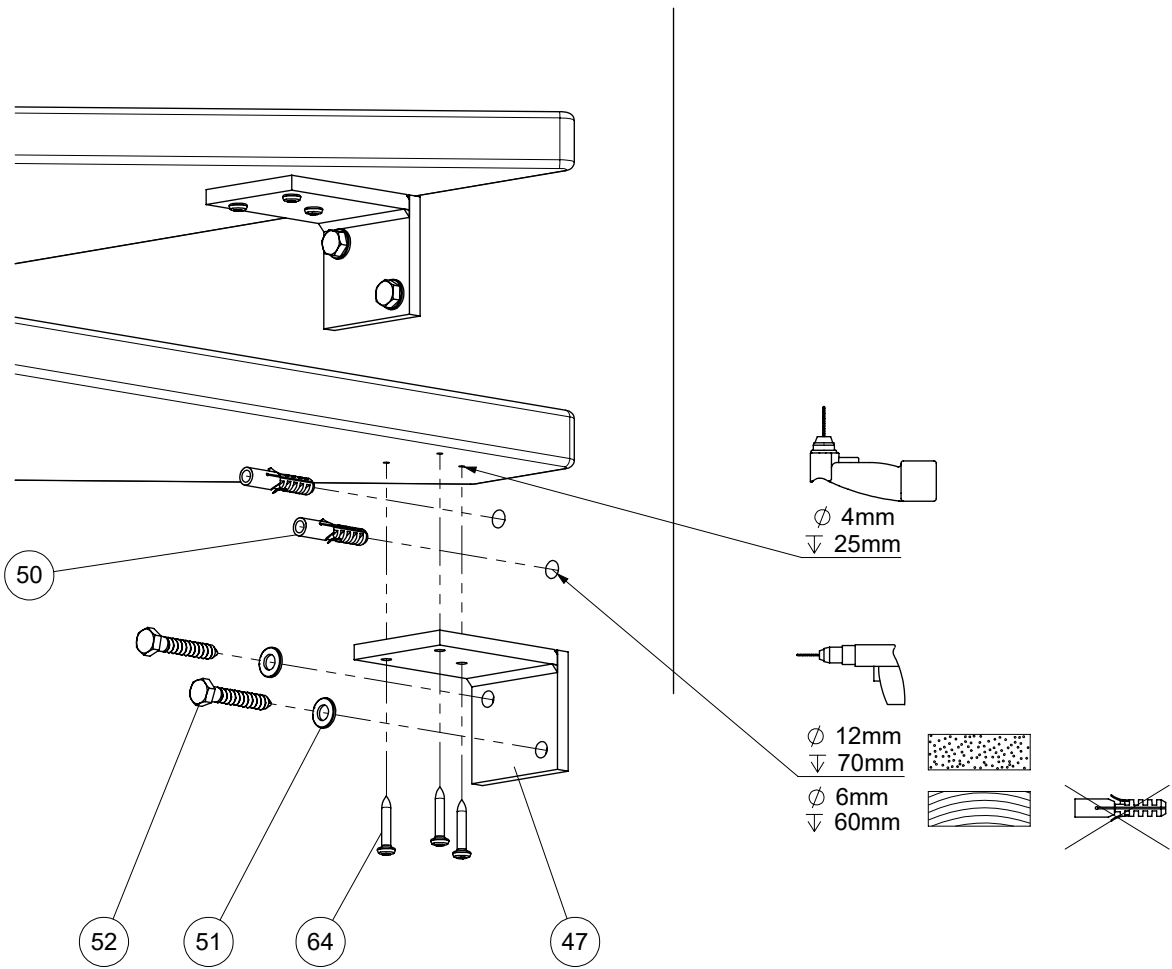
41



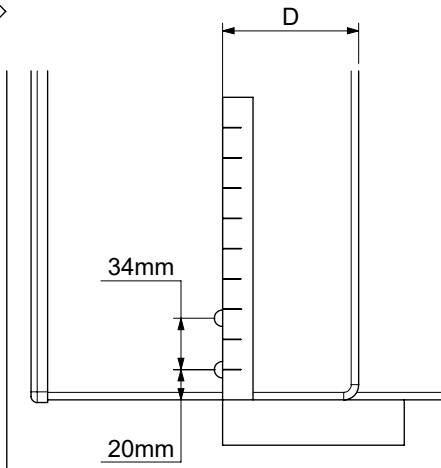




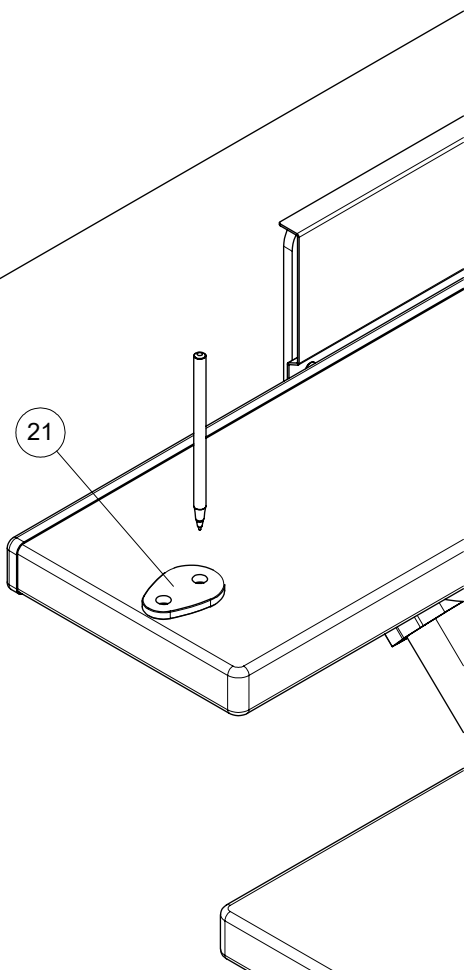




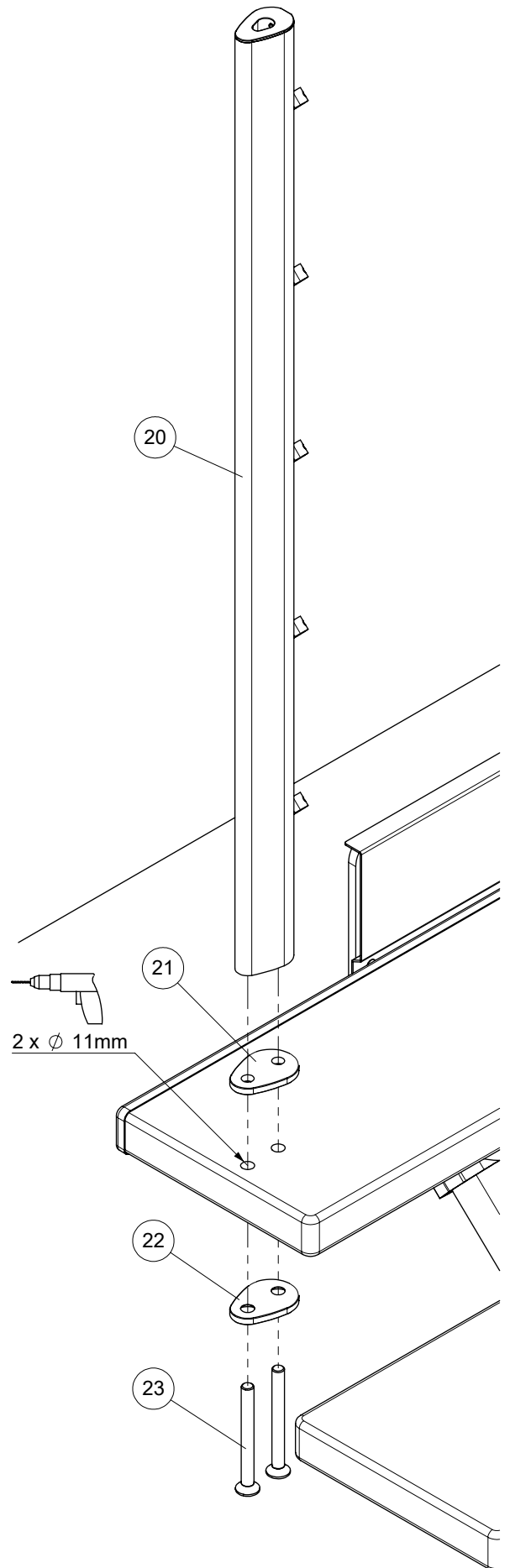
41



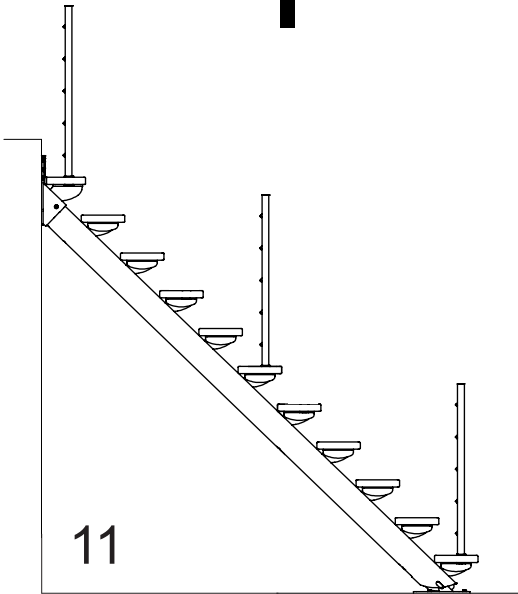
| S<br>mm | D<br>mm |
|---------|---------|
| 185     | 90      |
| 190     | 90      |
| 195     | 90      |
| 200     | 75      |
| 205     | 75      |
| 210     | 75      |
| 215     | 60      |
| 220     | 60      |
| 225     | 60      |



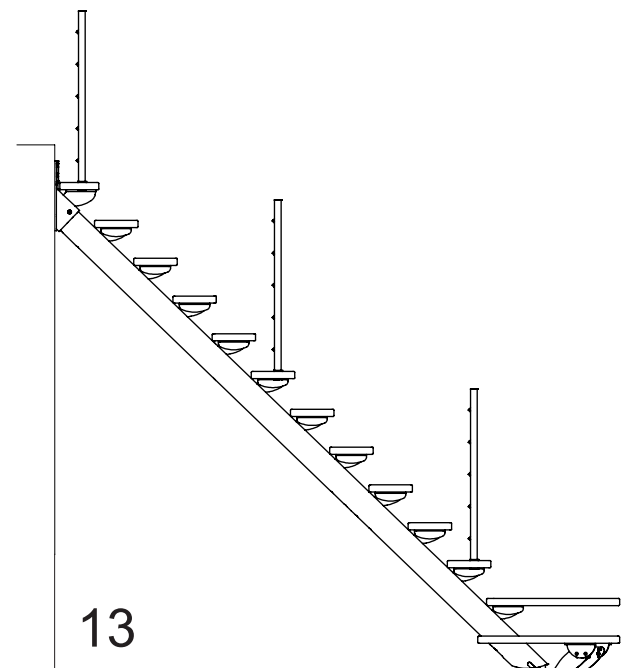
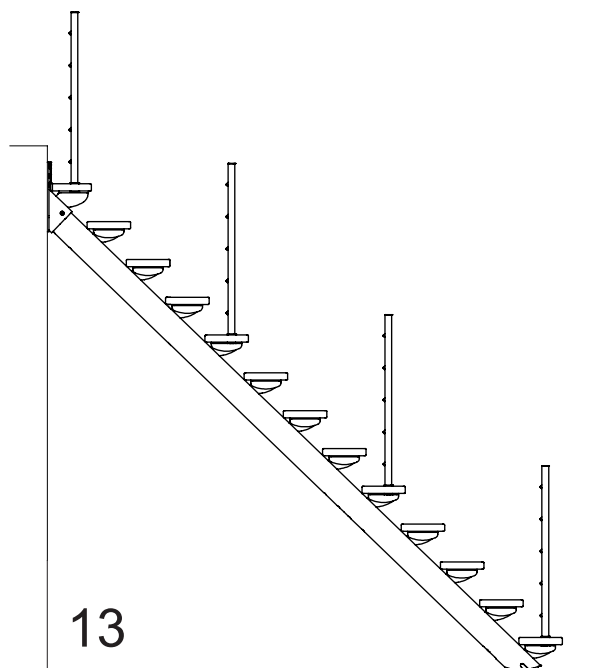
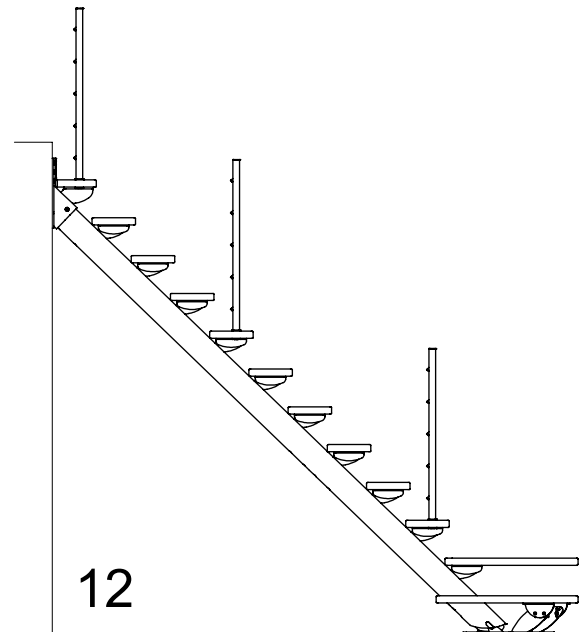
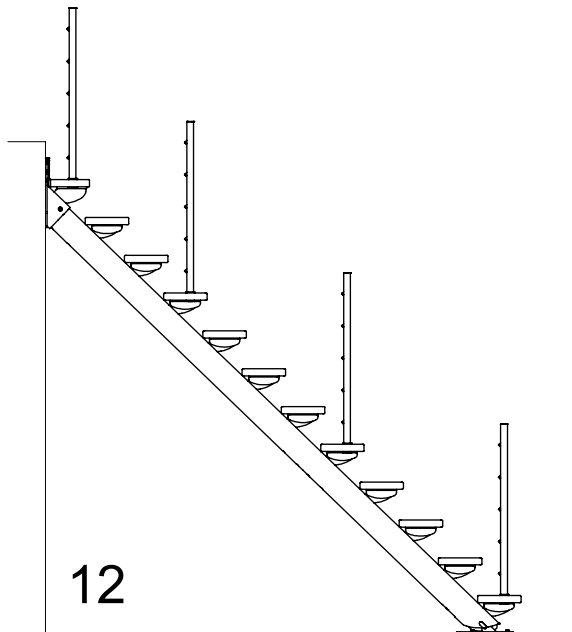
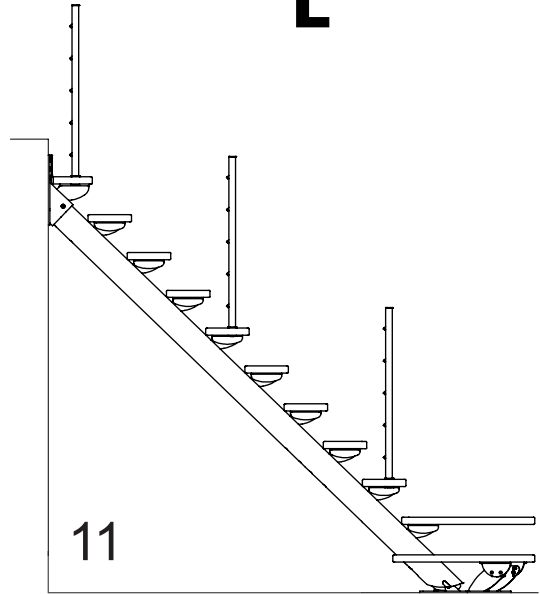
42



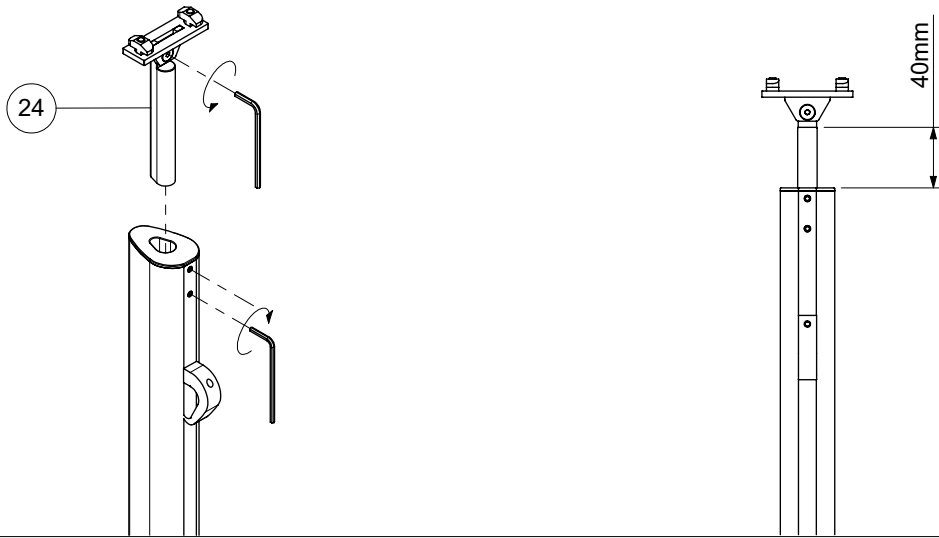
I



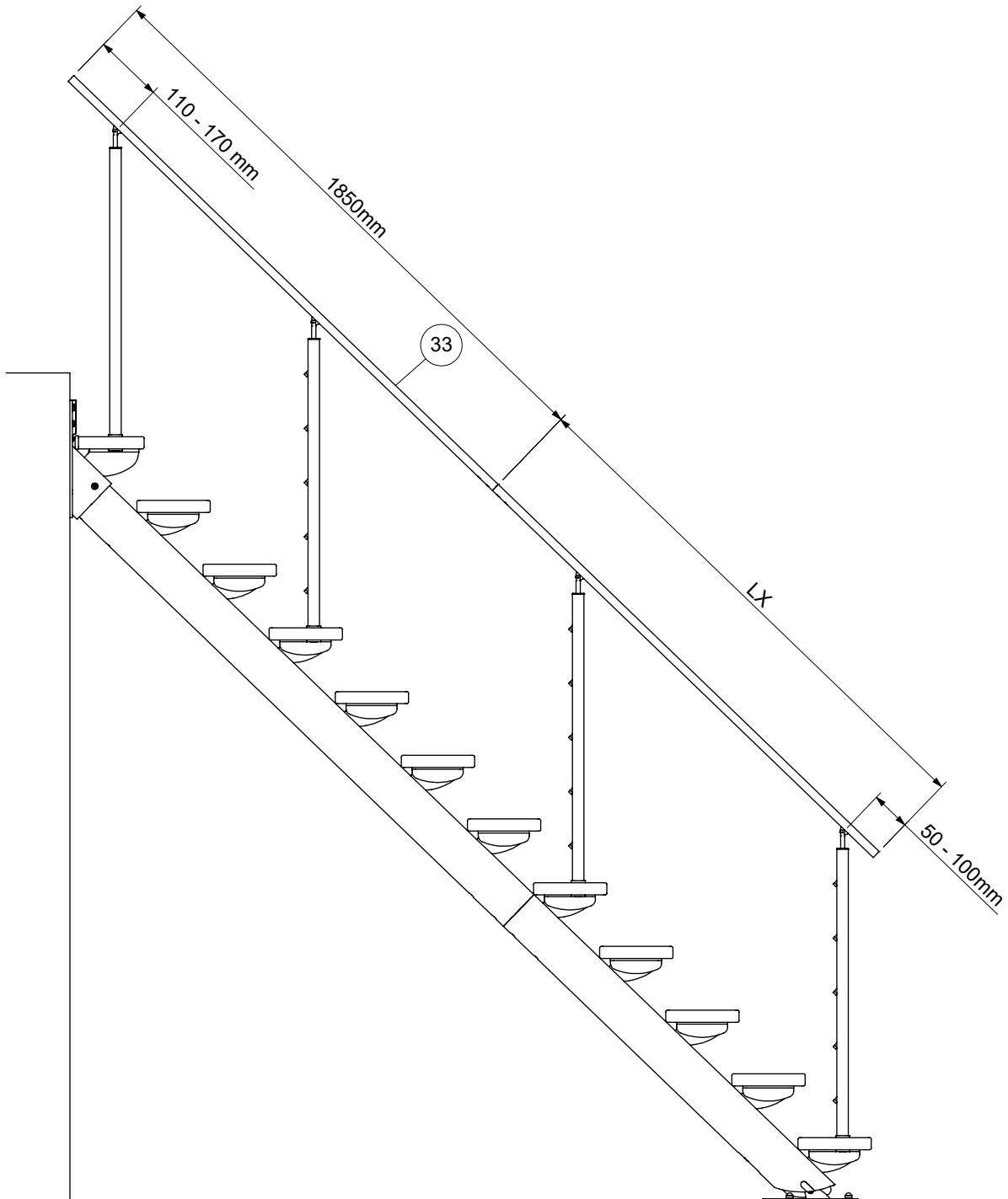
L



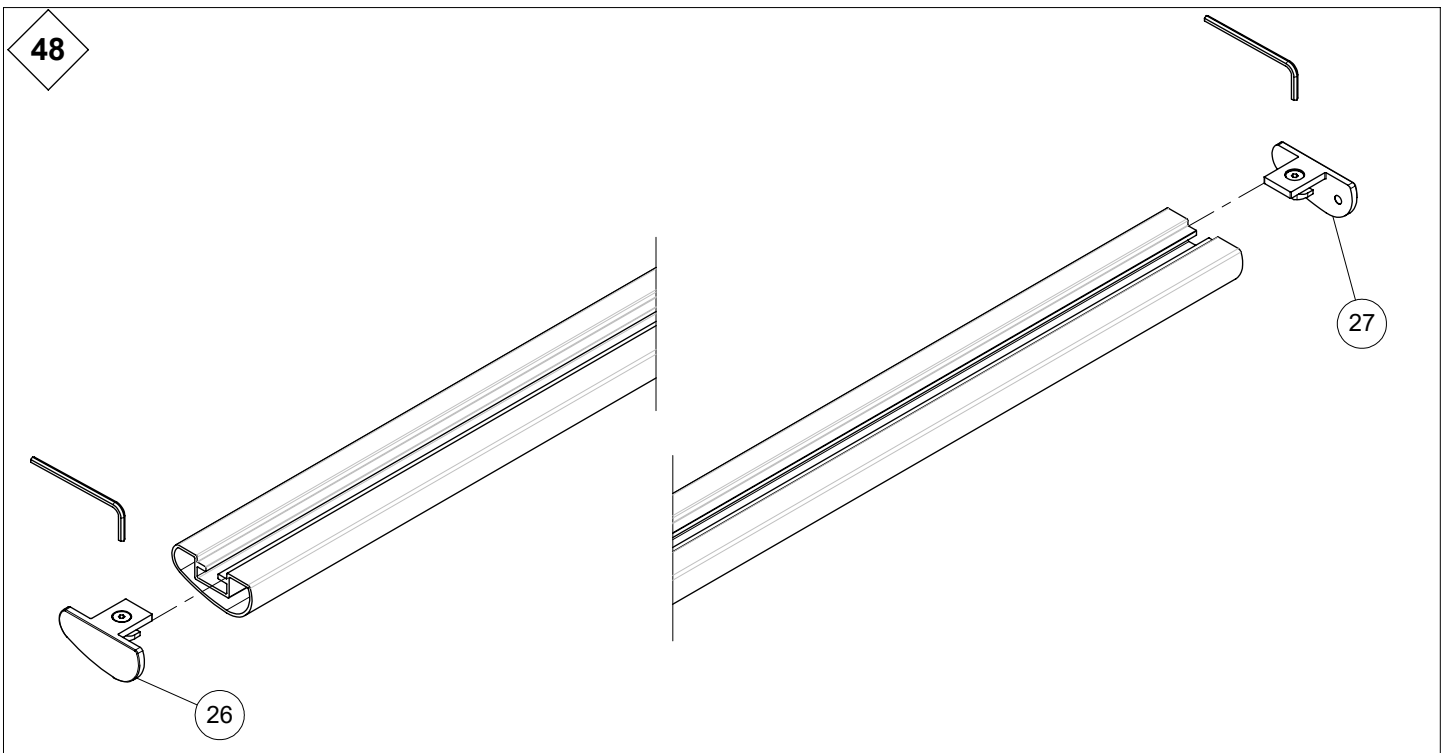
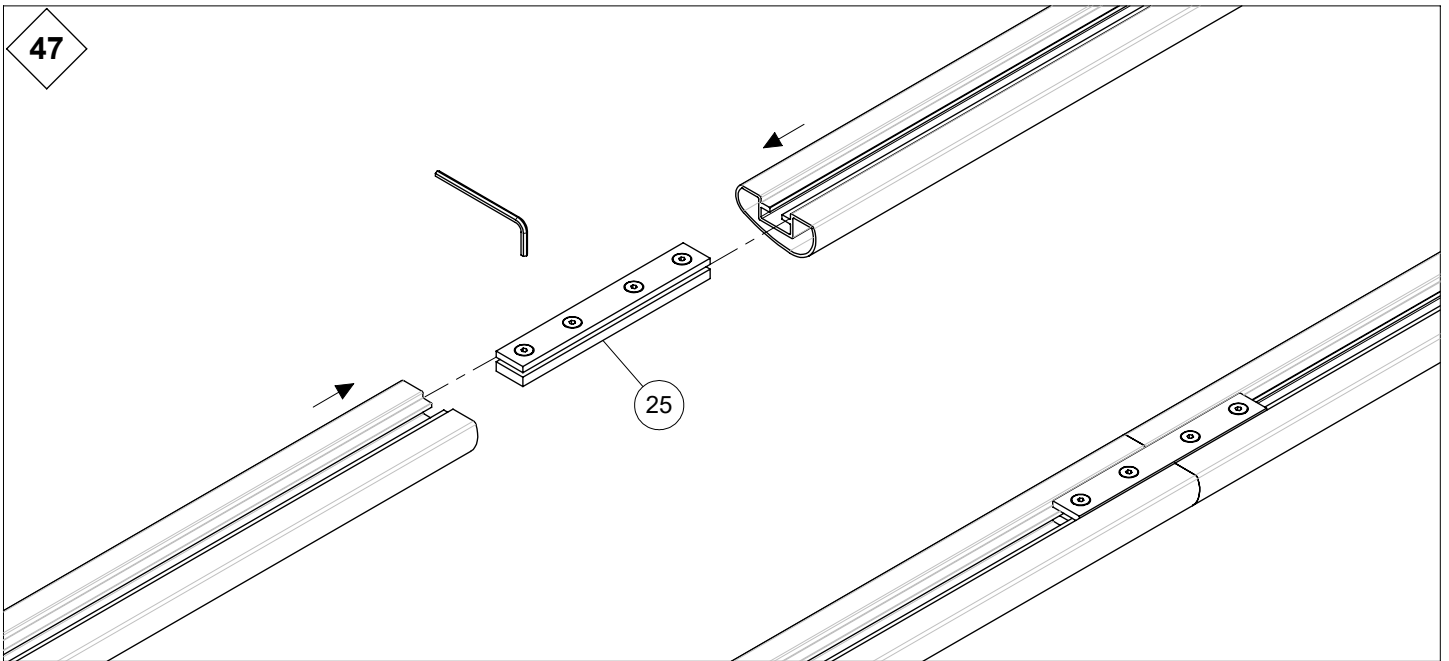
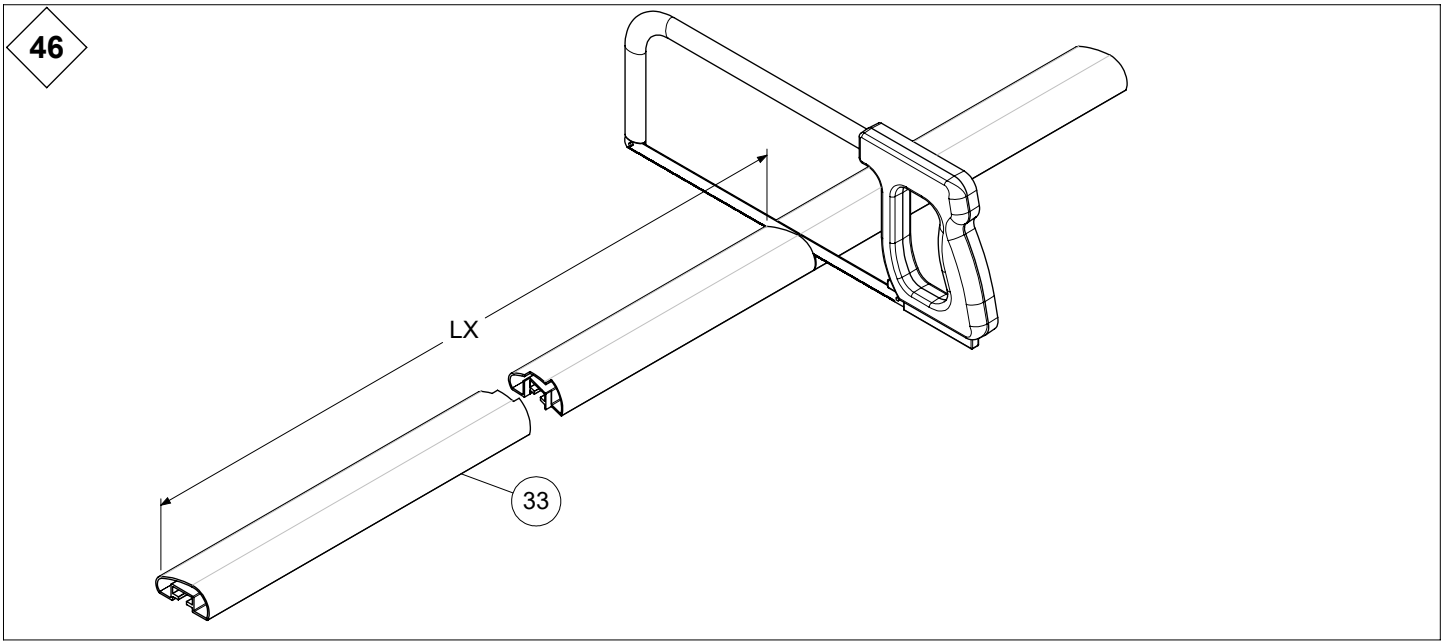
44



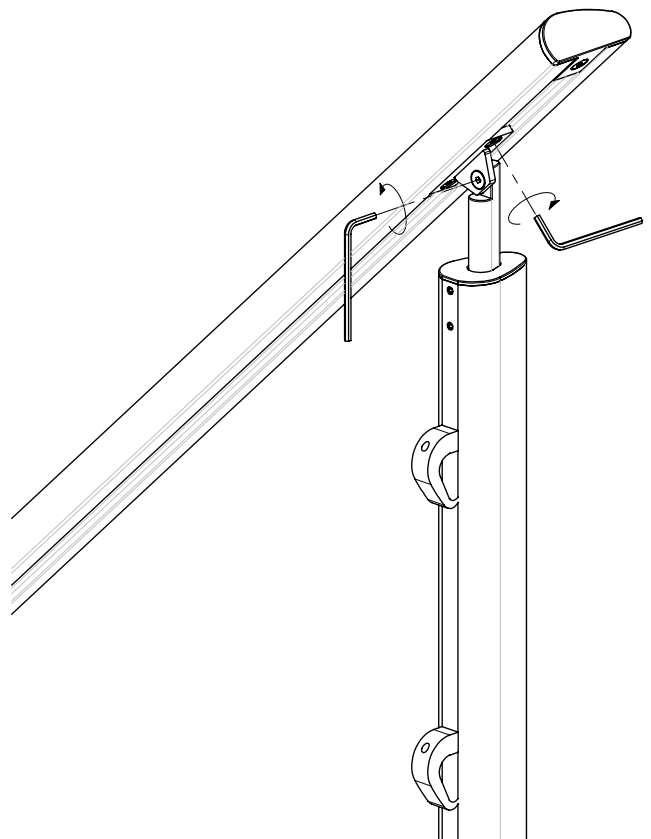
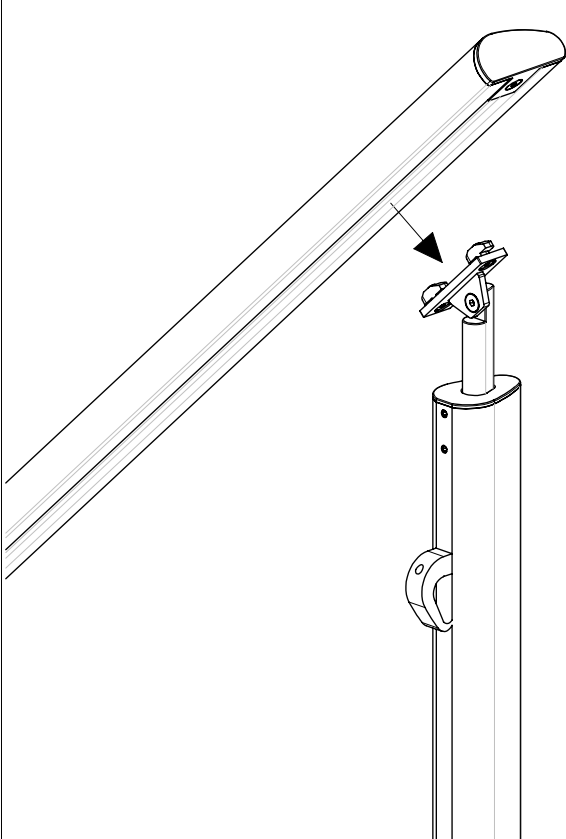
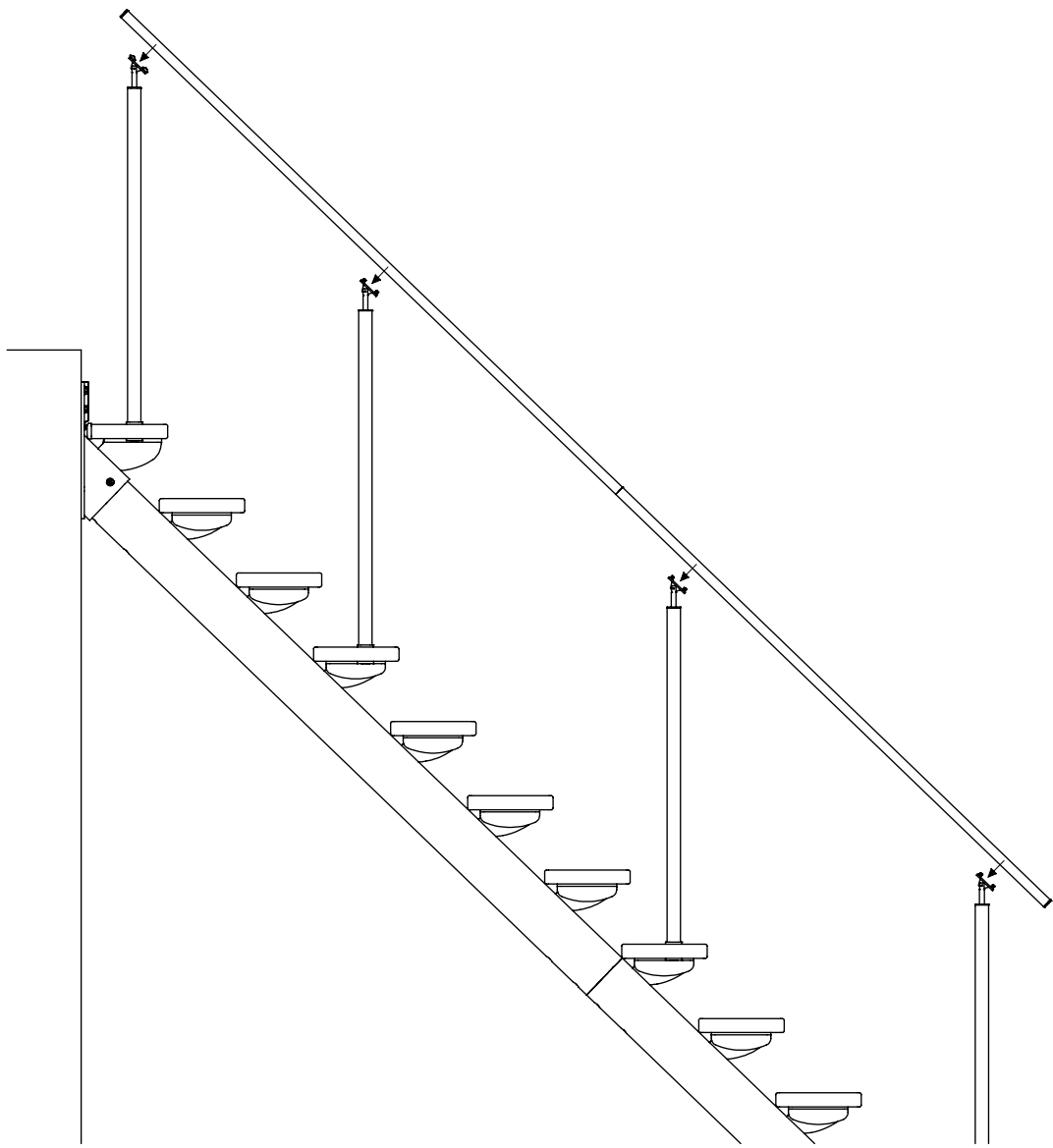
45





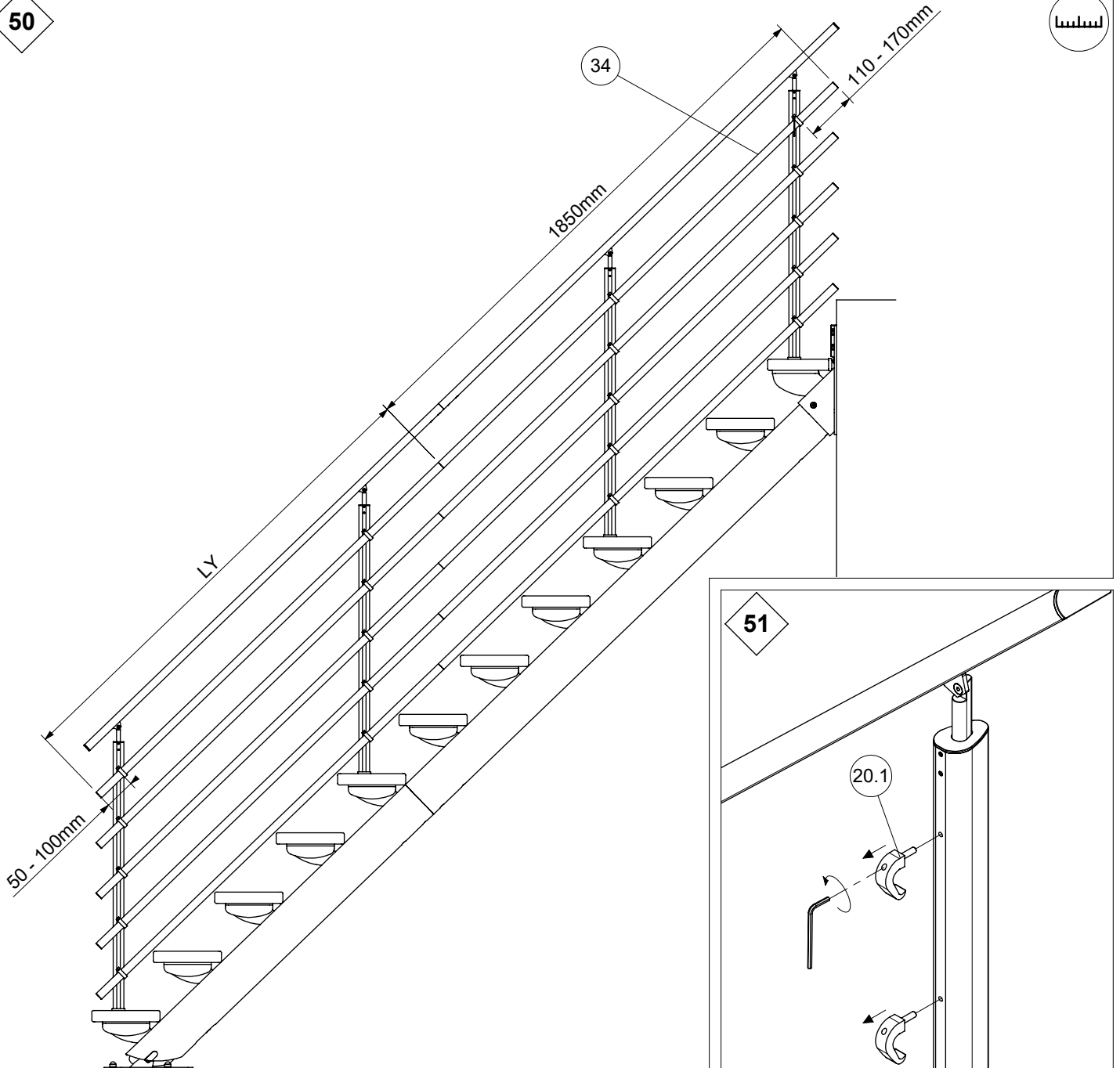


49



50

سلسبا



51

