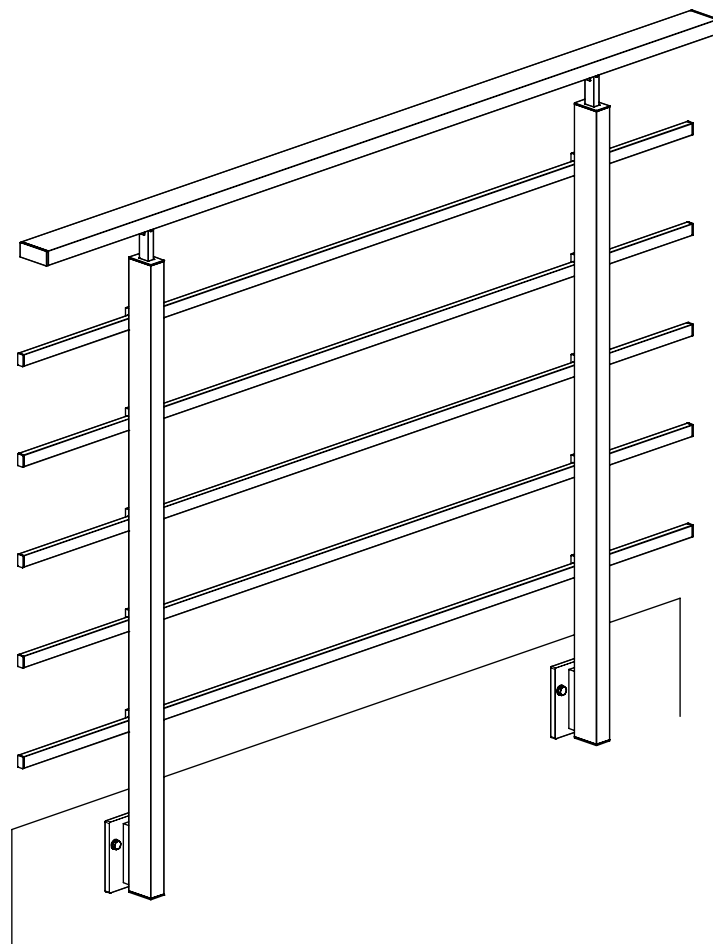
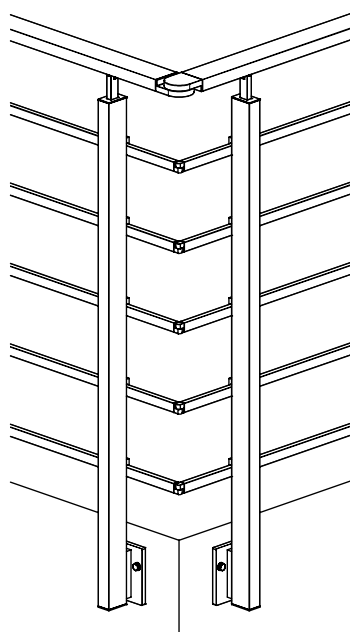


EA15W

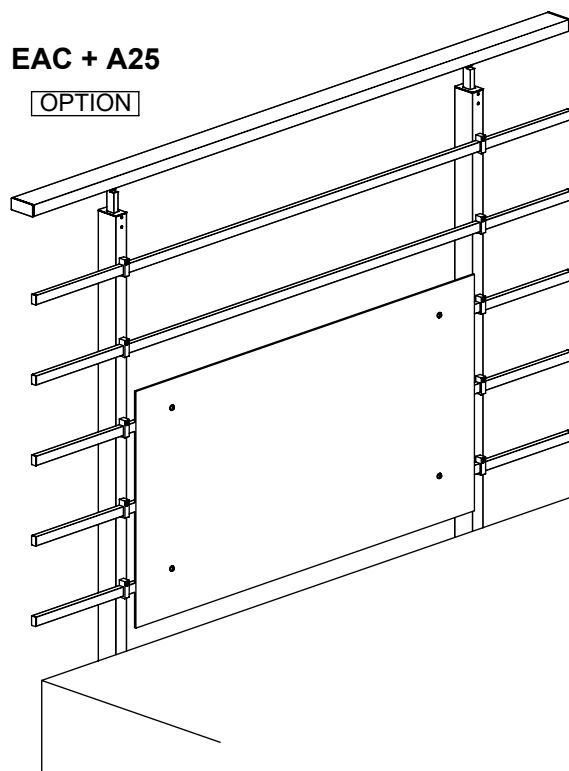
1,5 m




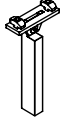
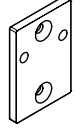



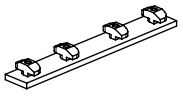
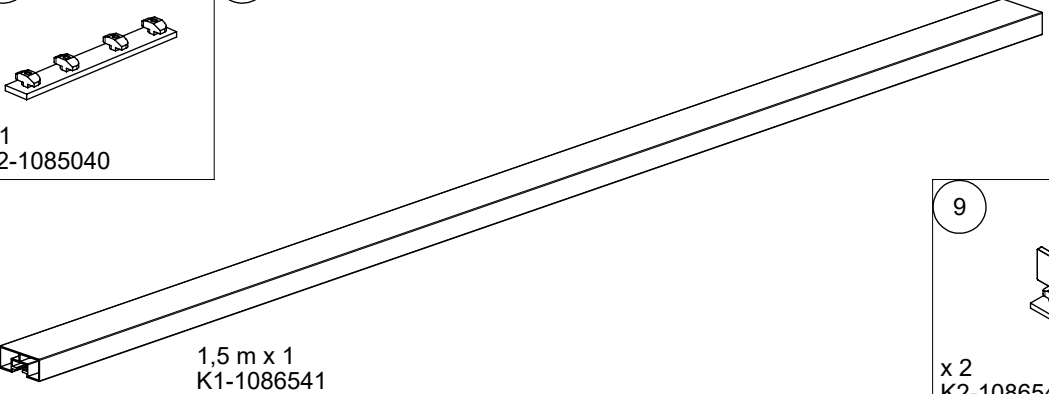
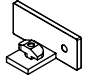
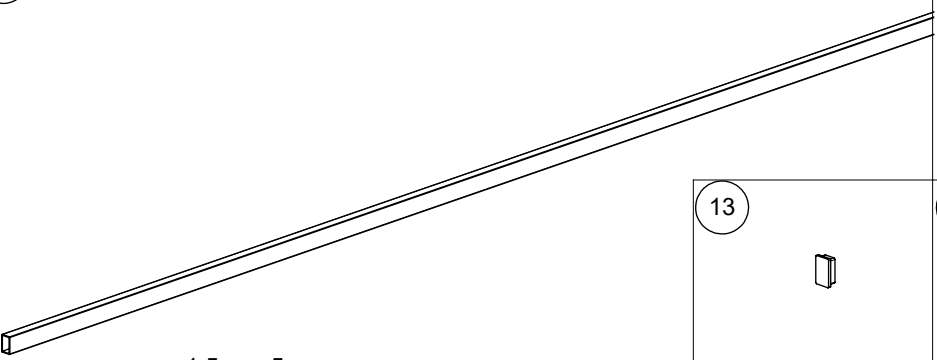


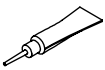
EAC
OPTION



EAC + A25
OPTION

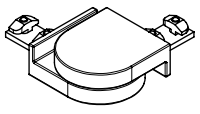
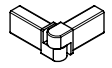





EA15W

<p>1</p>  <p>x 2 K2-1086502</p>	<p>2</p>  <p>x 2 K2-1086518</p>	<p>3</p>  <p>x 2 K1-1086521</p>	<p>4</p>  <p>x 2 K1-1086522</p>	<p>5</p>  <p>x 2 K1-1086523</p>	<p>6</p>  <p>x 4 K3-02195 M10 x 60</p>	
<p>7</p>  <p>x 1 K2-1085040</p>		<p>8</p>  <p>1,5 m x 1 K1-1086541</p>				<p>9</p>  <p>x 2 K2-1086548</p>
<p>11</p>  <p>1,5 m x 5 K1-1086551</p>		<p>12</p>  <p>x 5 K1-1086559</p>		<p>13</p>  <p>x 10 K1-1086558</p>	<p>14</p>  <p>x 1 K3-90001</p>	

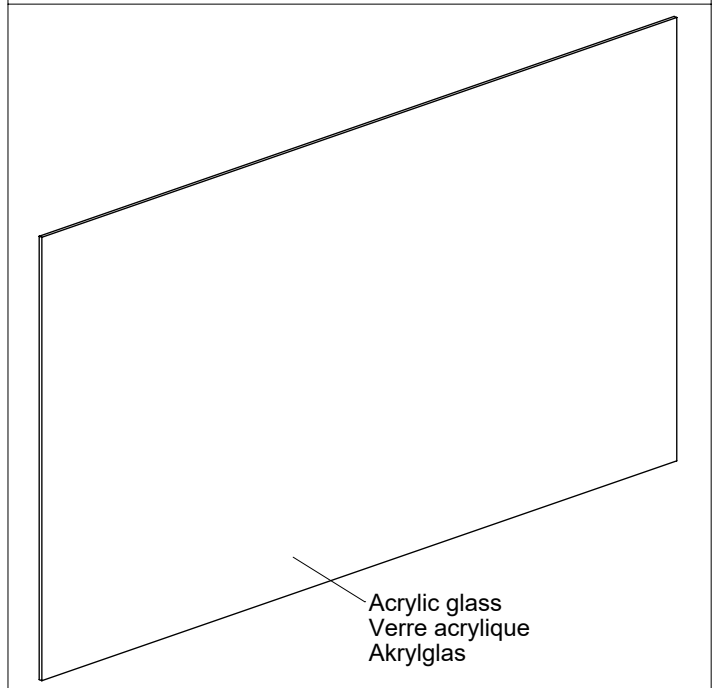
EAC

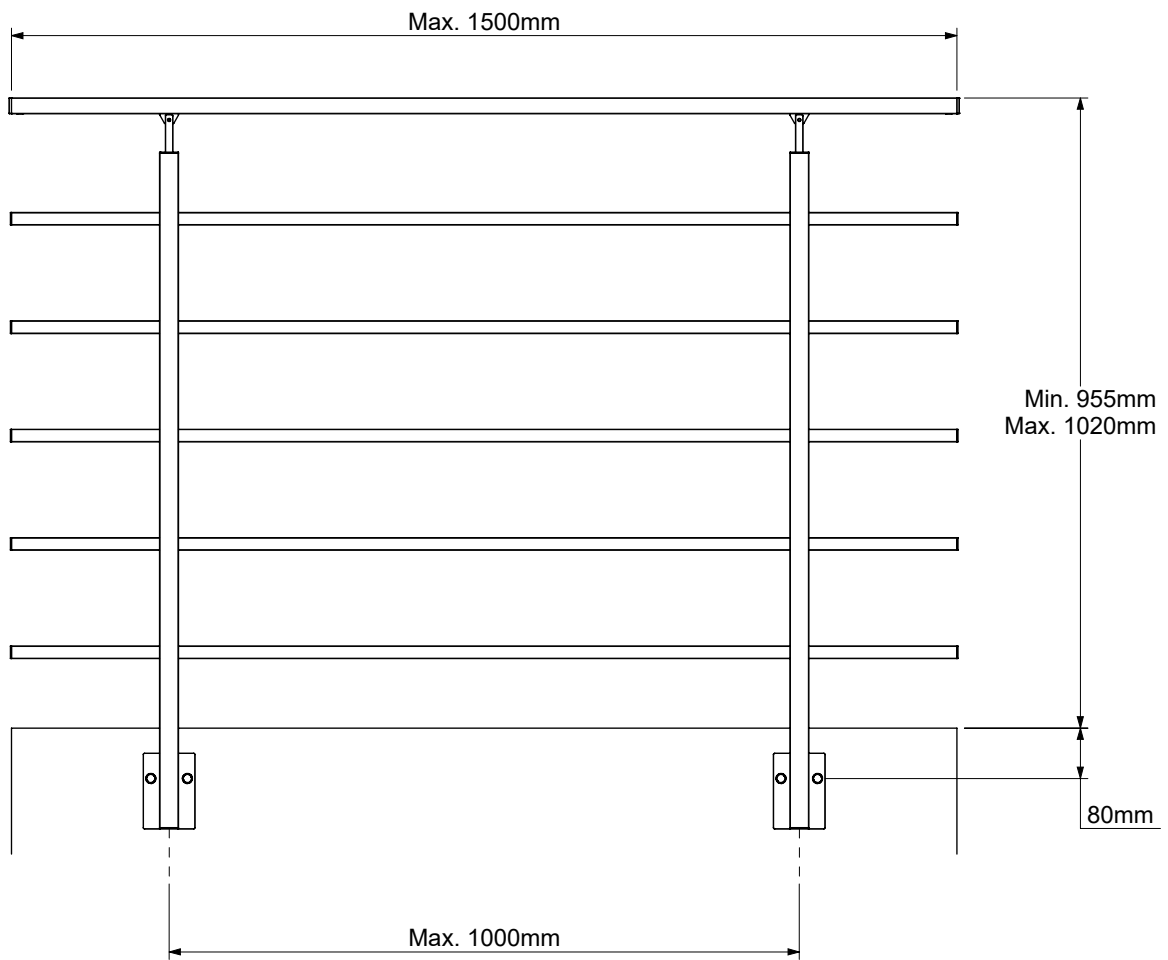
OPTION

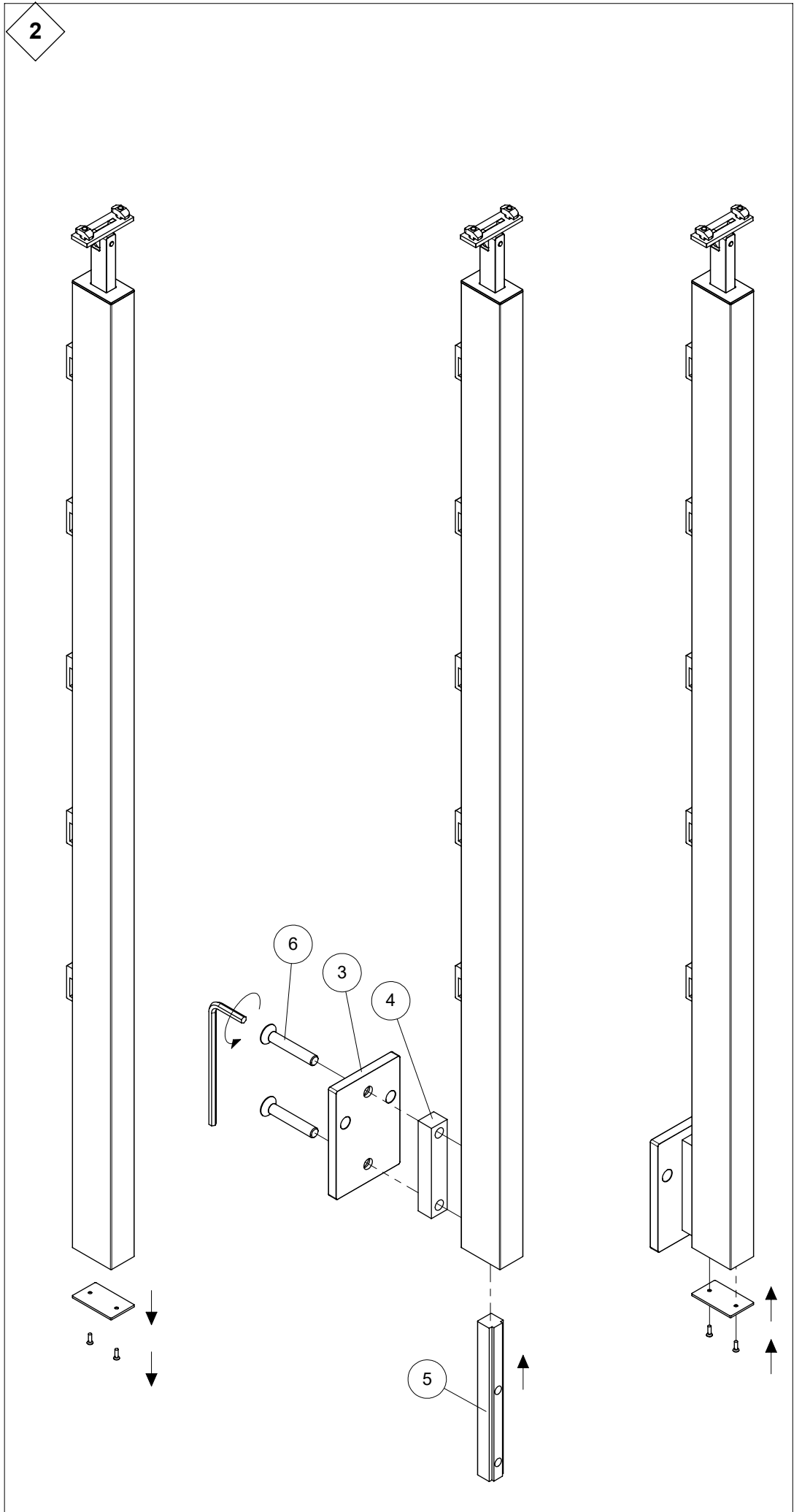
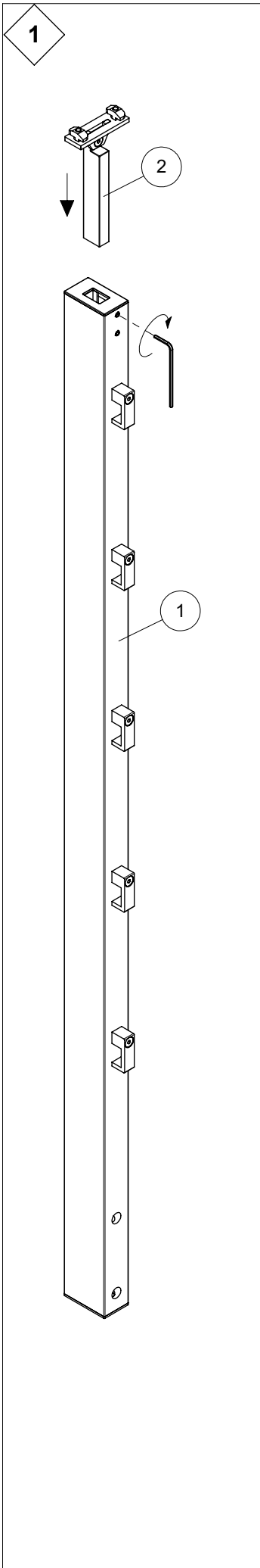
<p>20</p>  <p>x 1 K2-1086560</p>	<p>21</p>  <p>x 5 K2-1086562</p>	
<p>30</p>  <p>x 4 K1-1086598</p>	<p>31</p>  <p>⌀6,2mm</p> <p>x 8 K1-36047</p>	<p>32</p>  <p>x 4 K3-02176 M6 x 16</p>

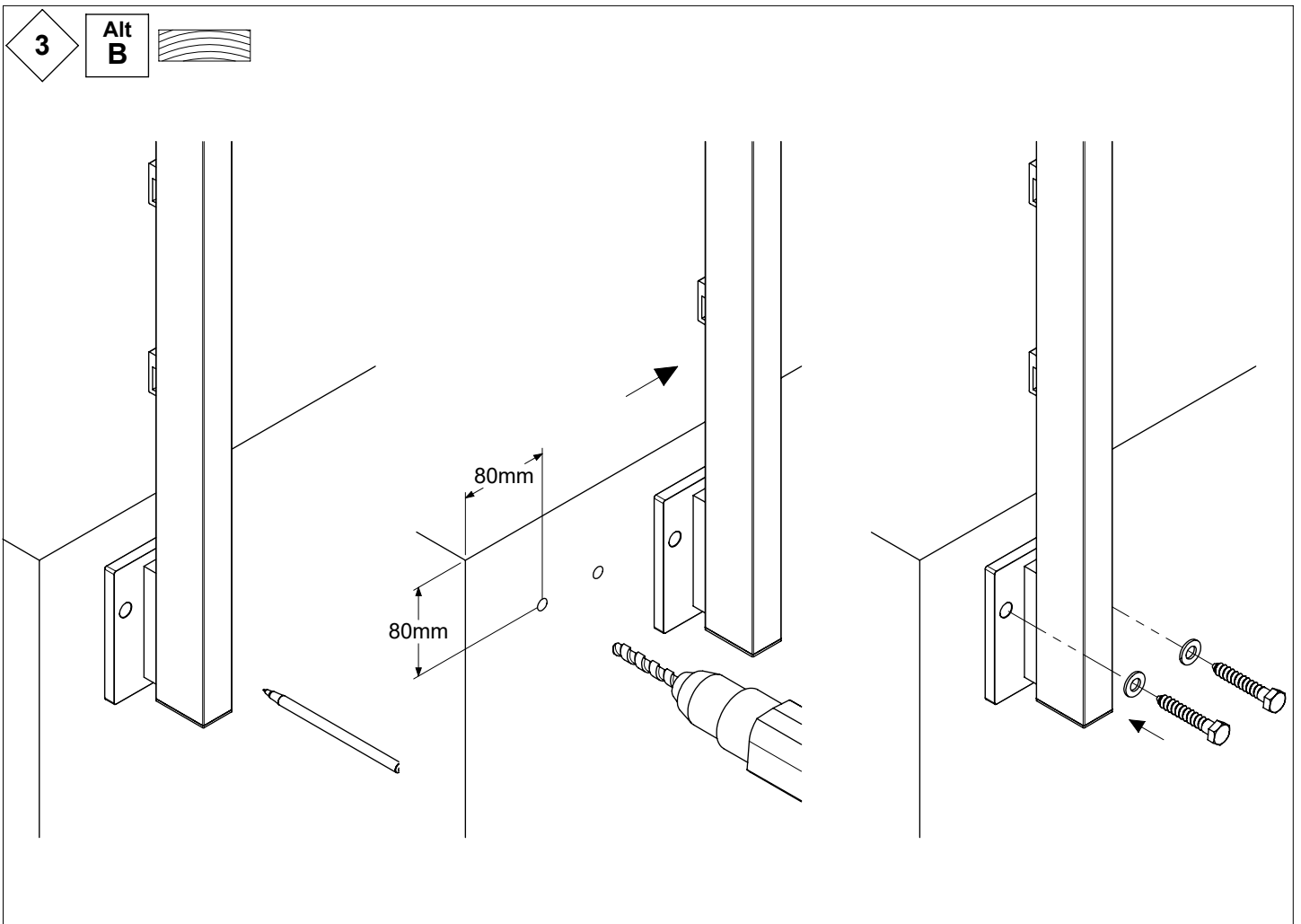
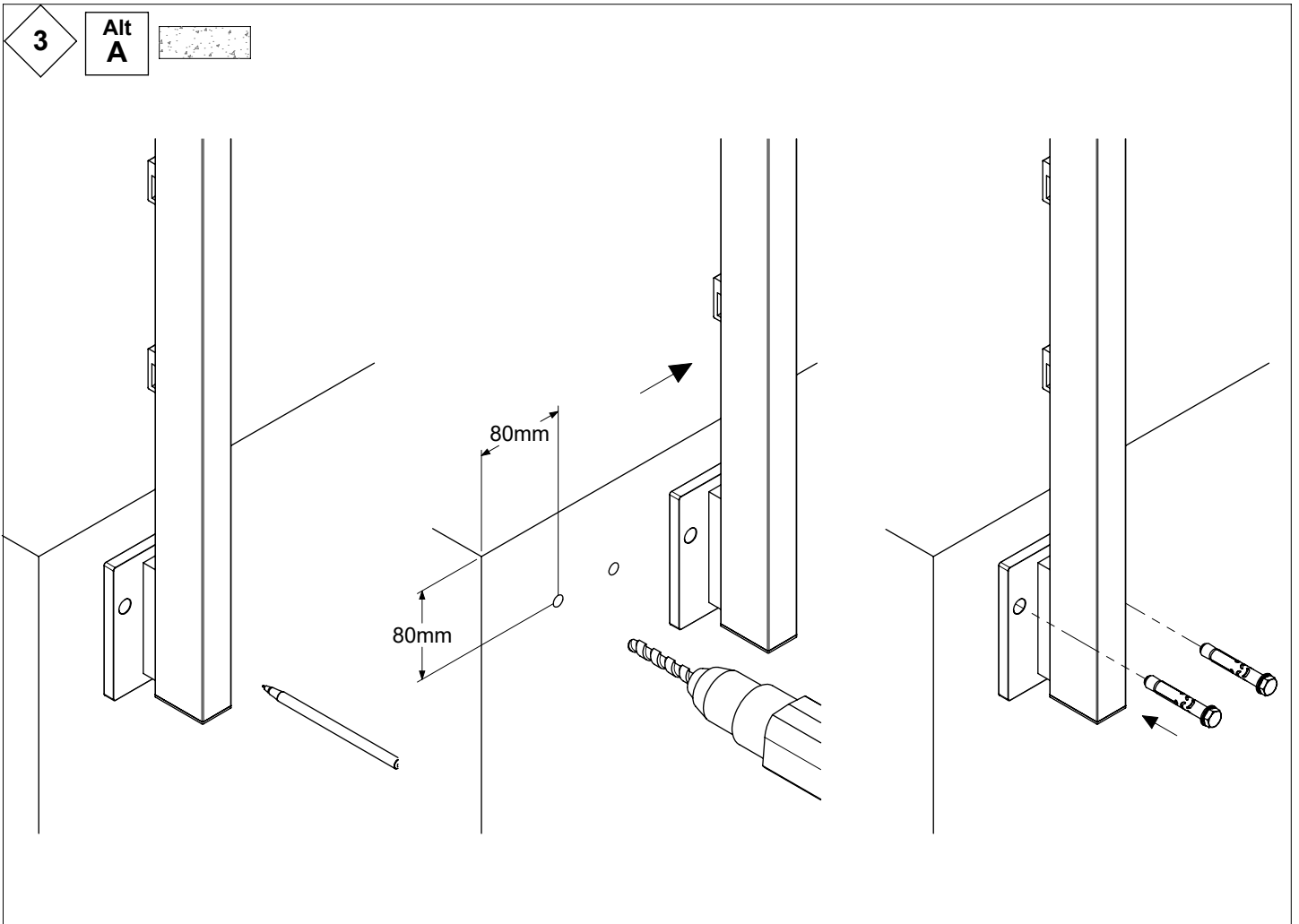
A25

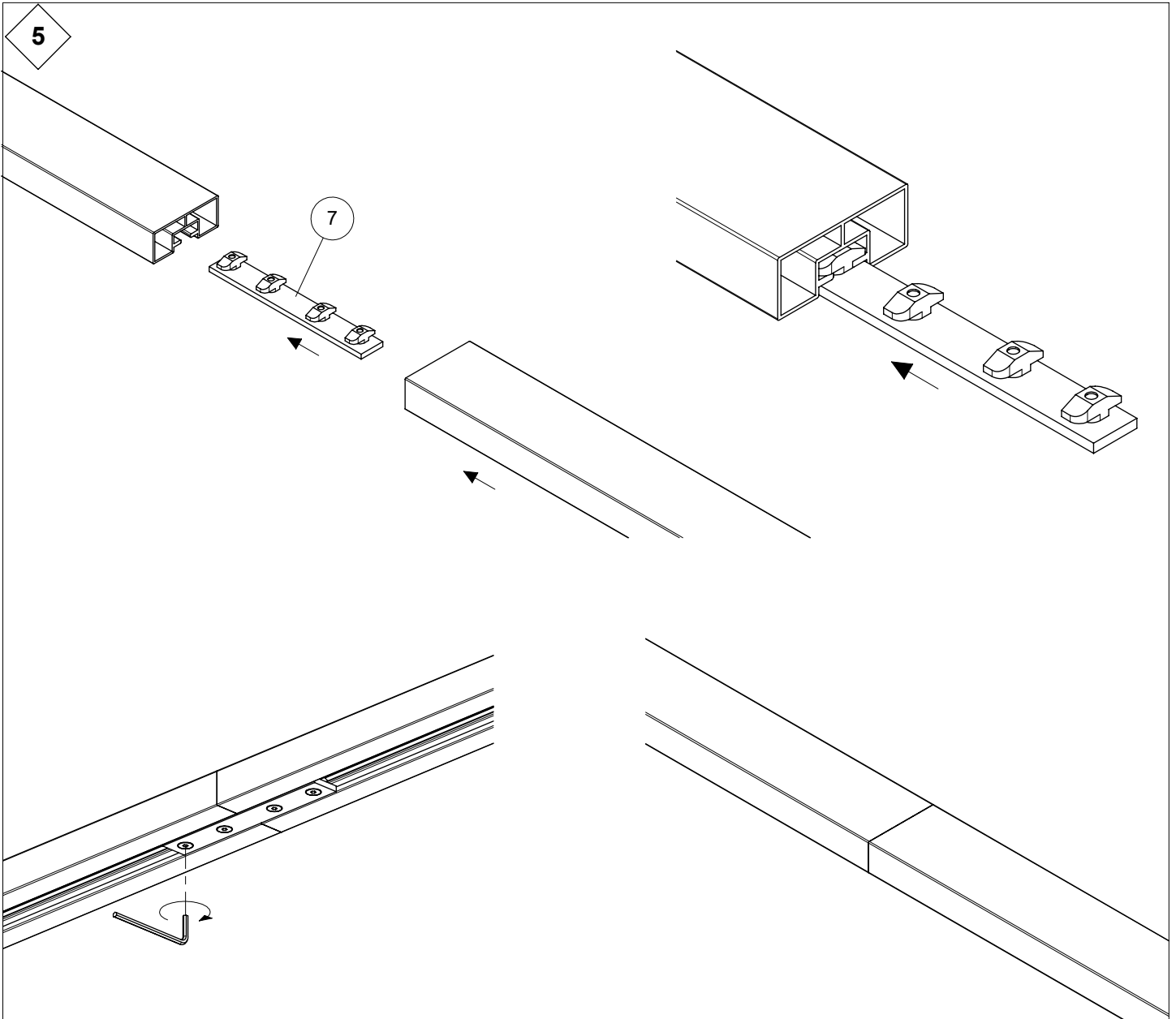
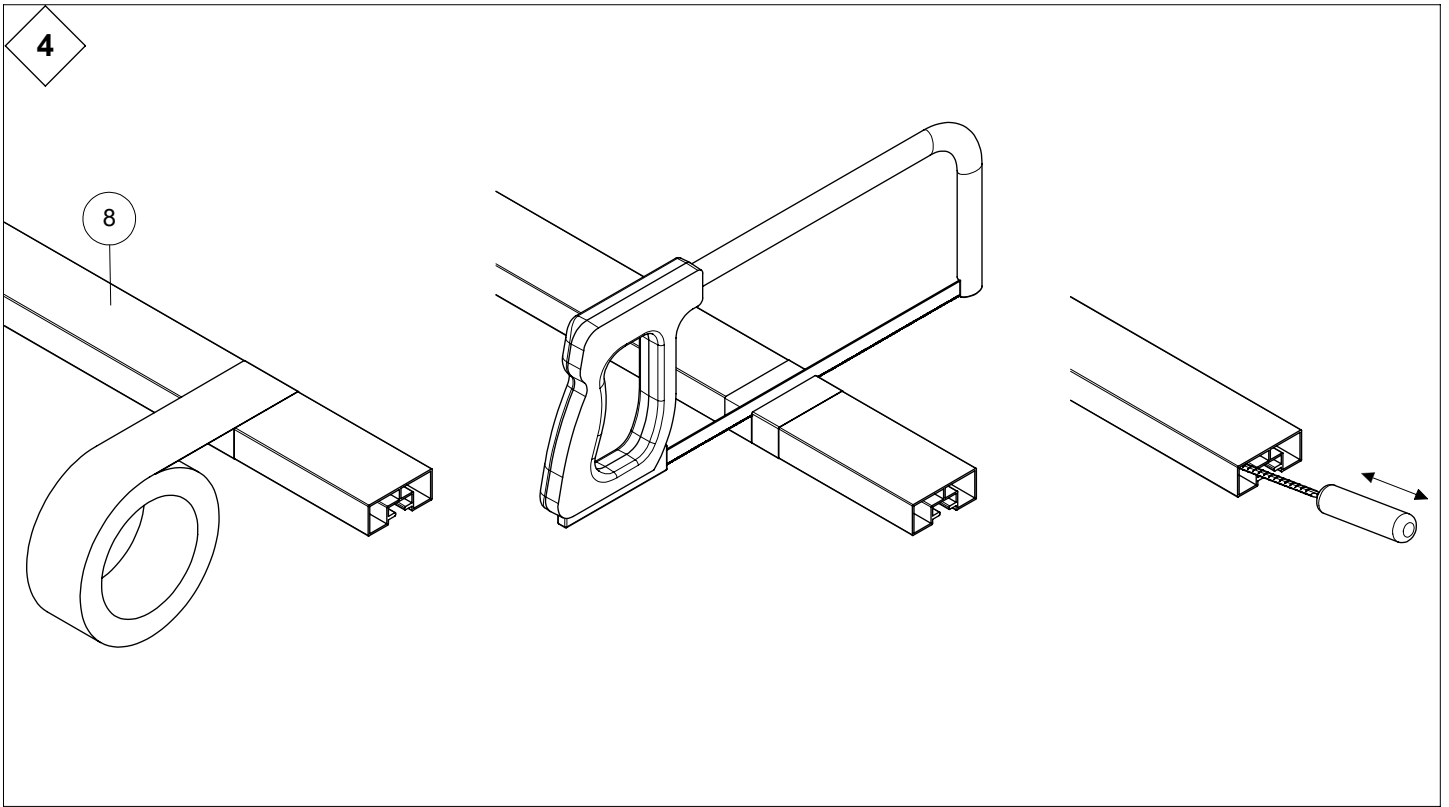
OPTION

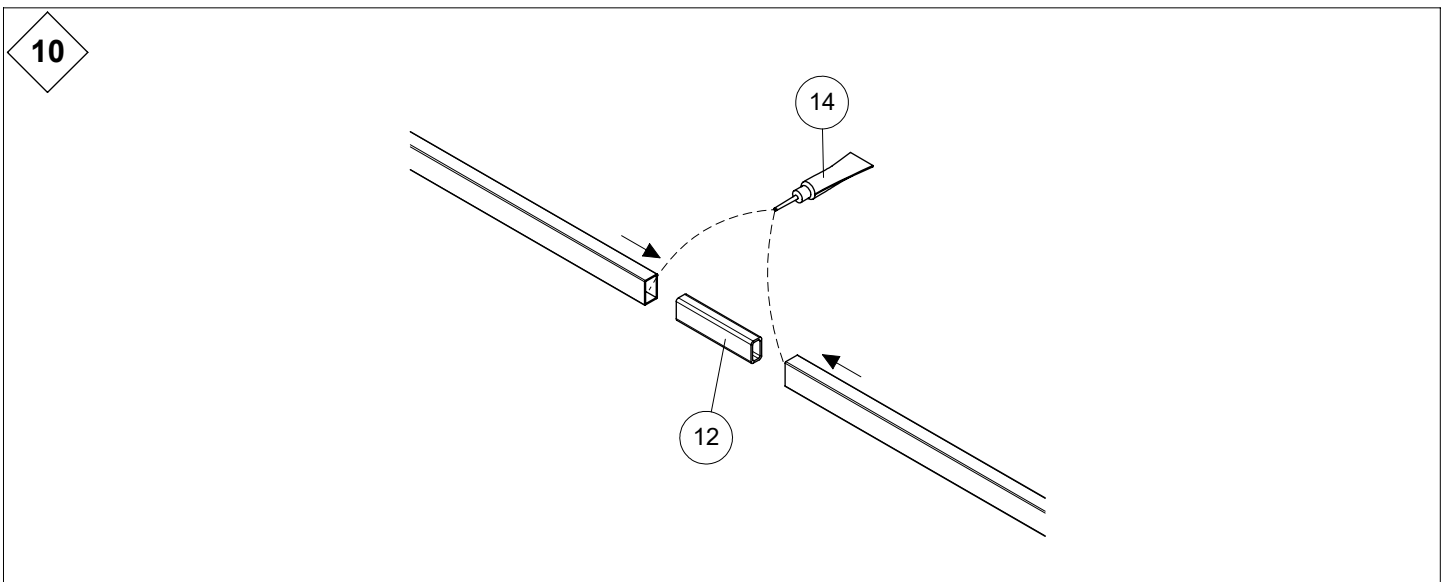
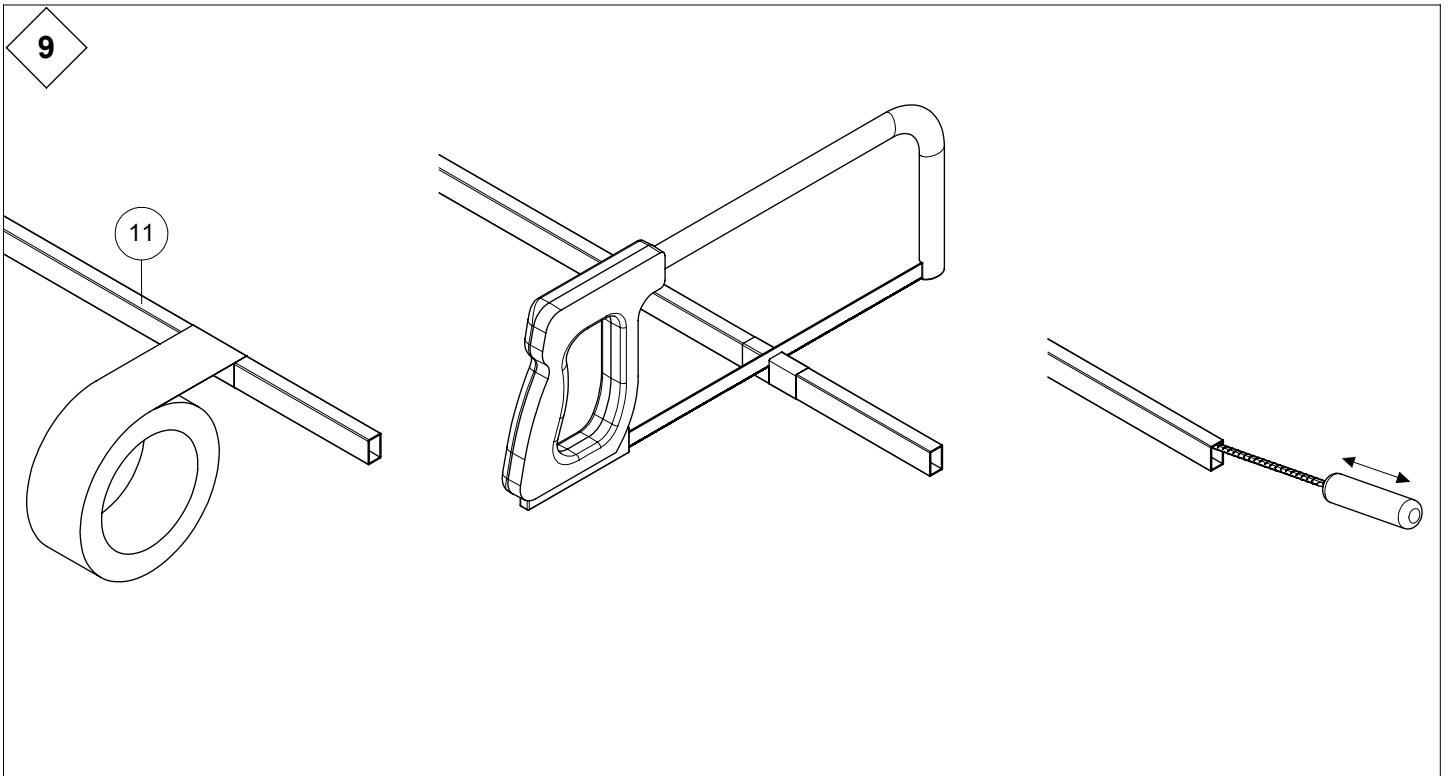
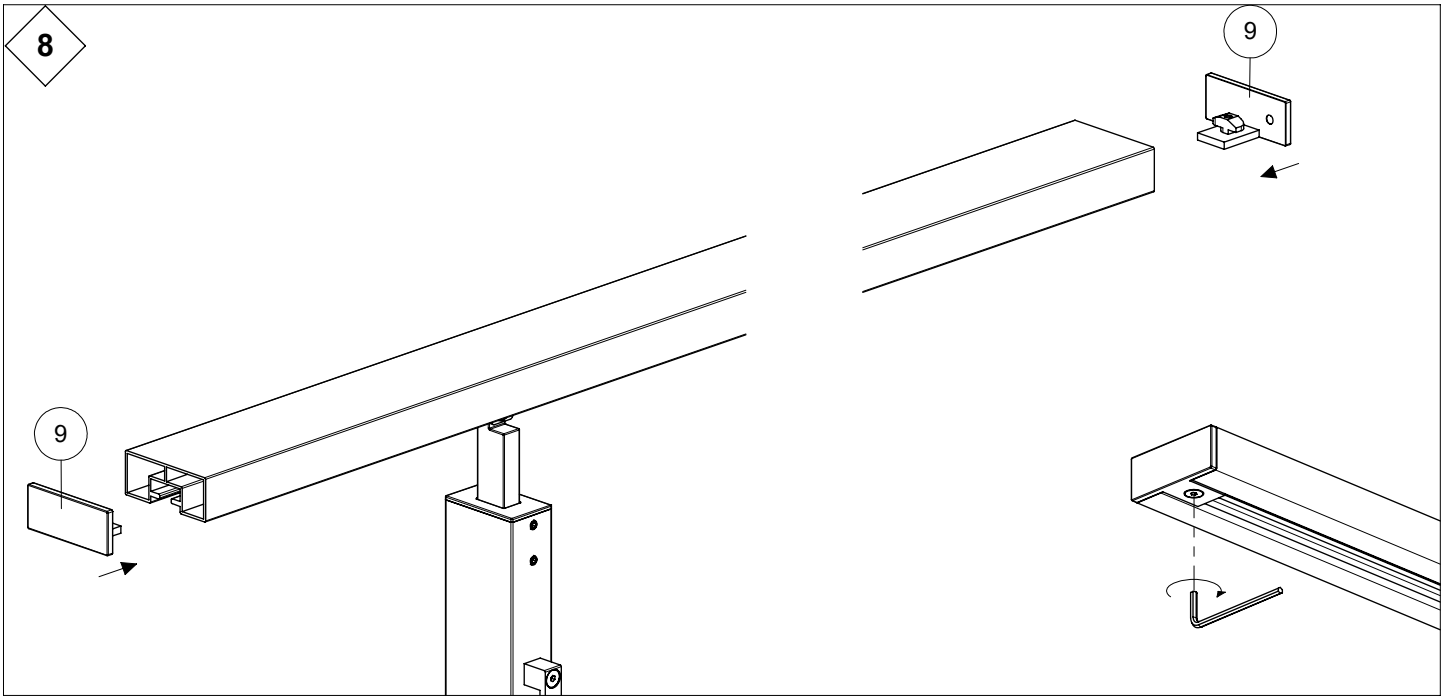


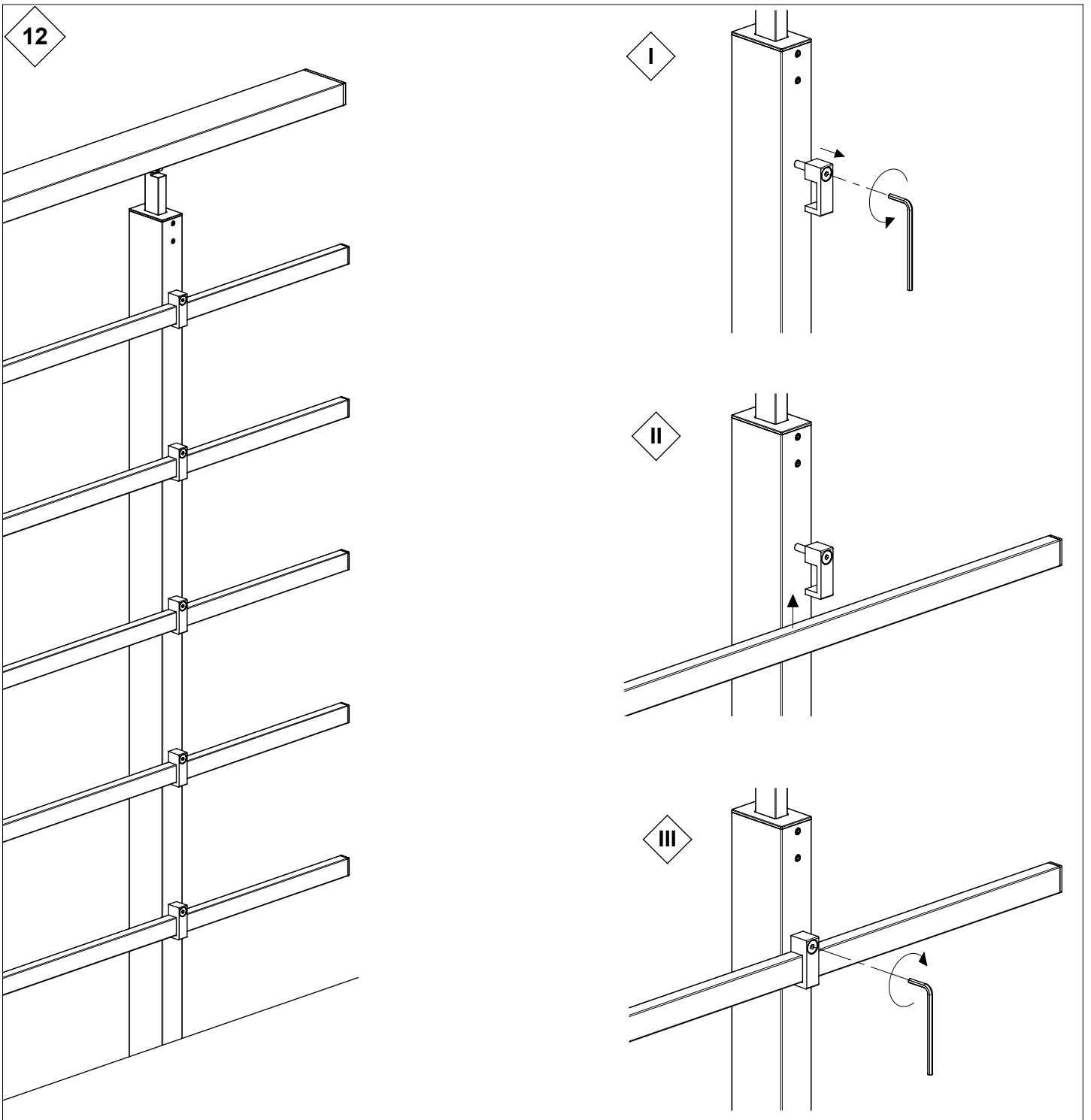
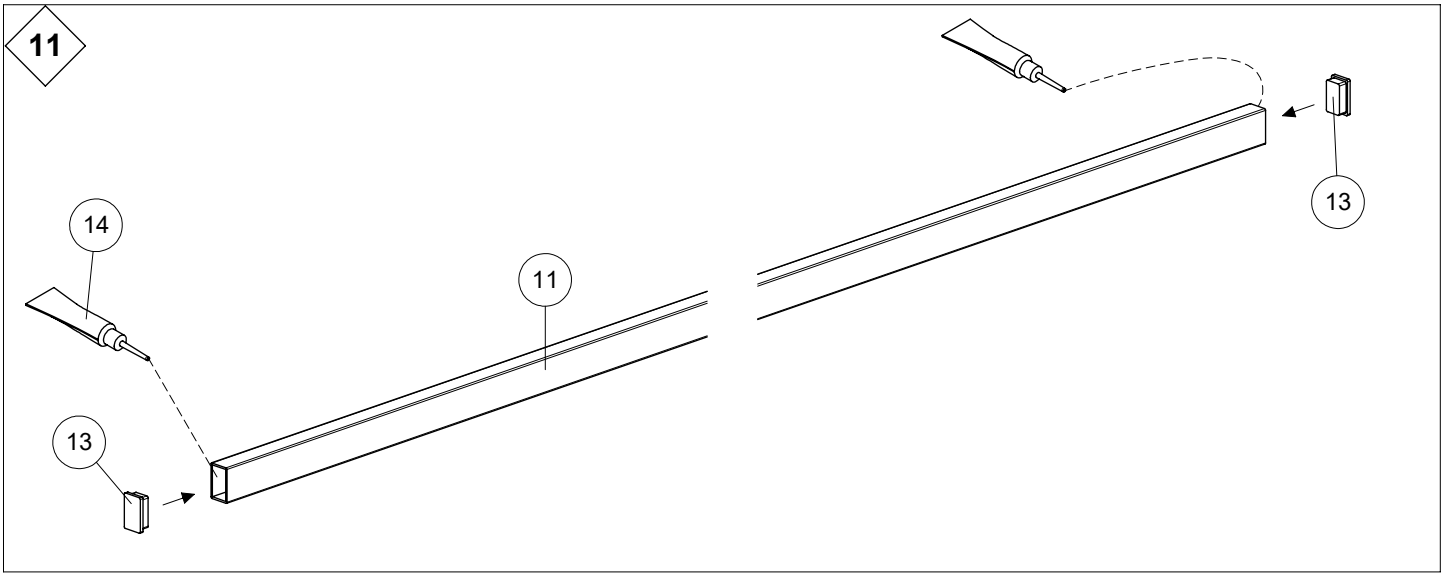




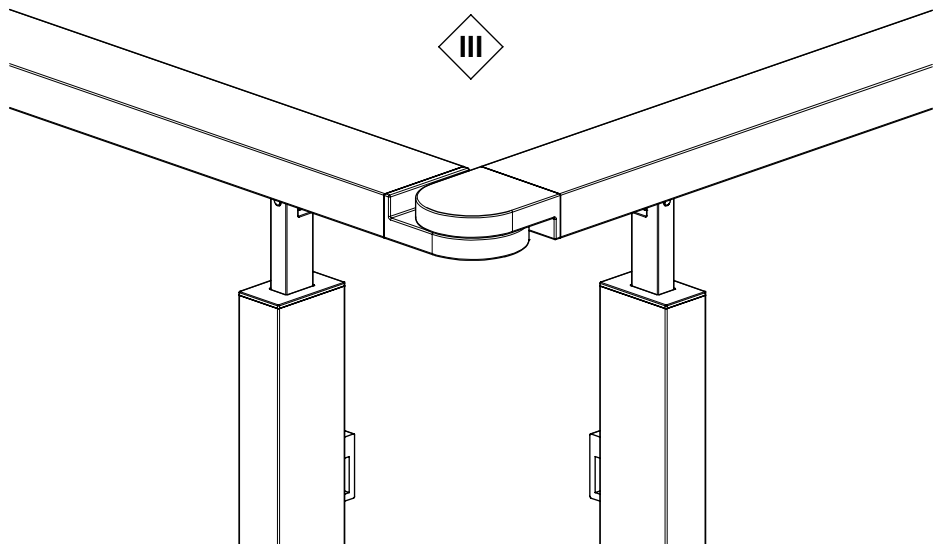
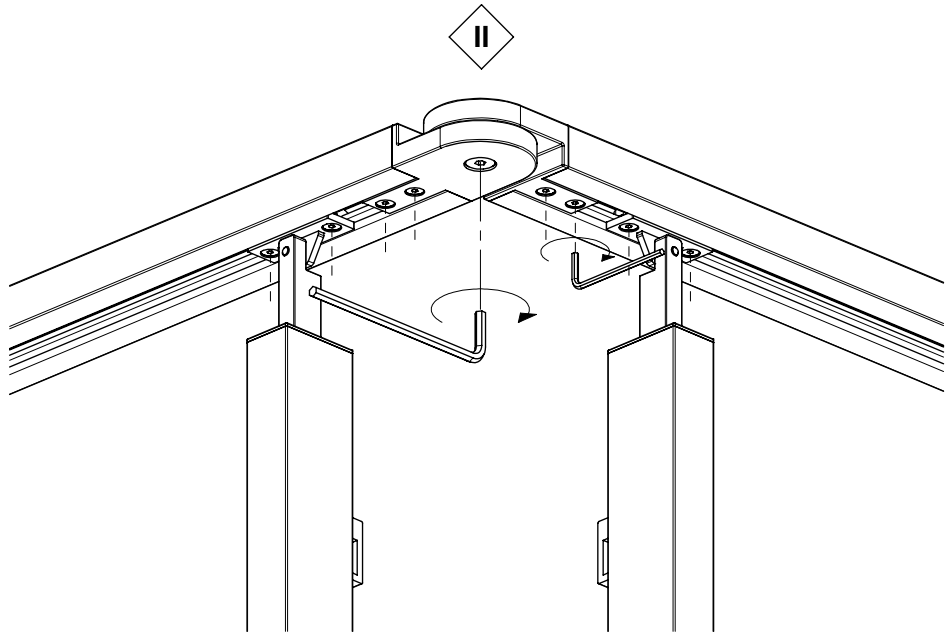
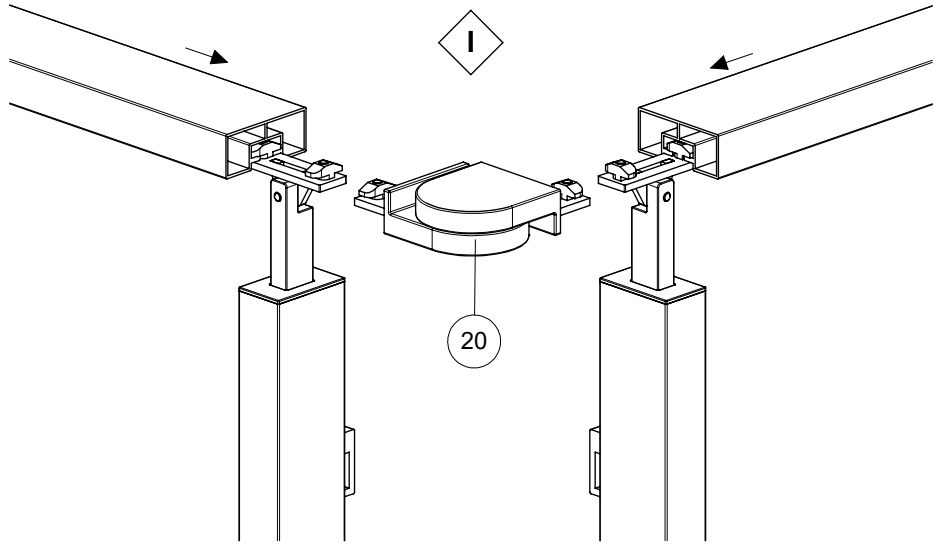
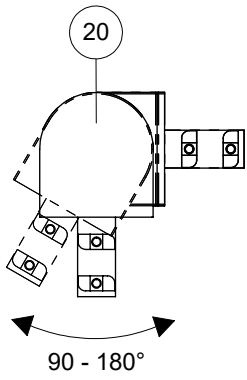




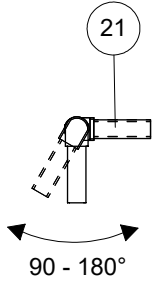




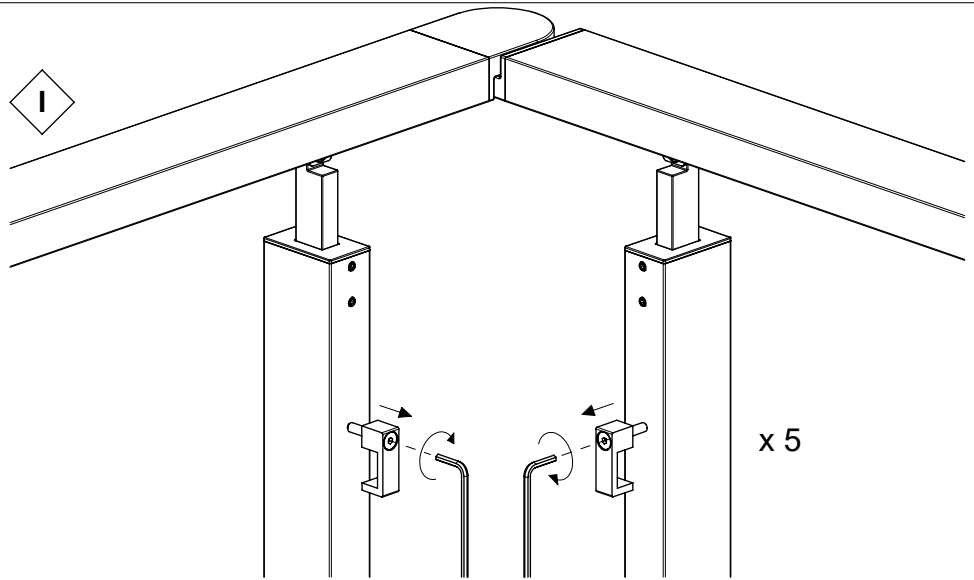
13 OPTION



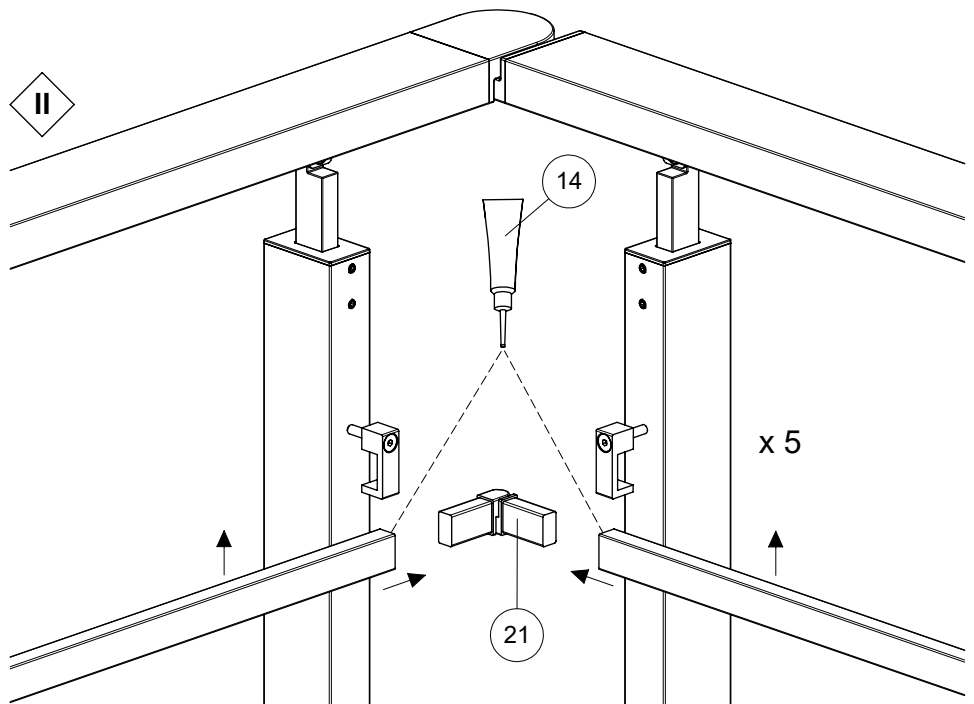
14 OPTION



I



II



III

