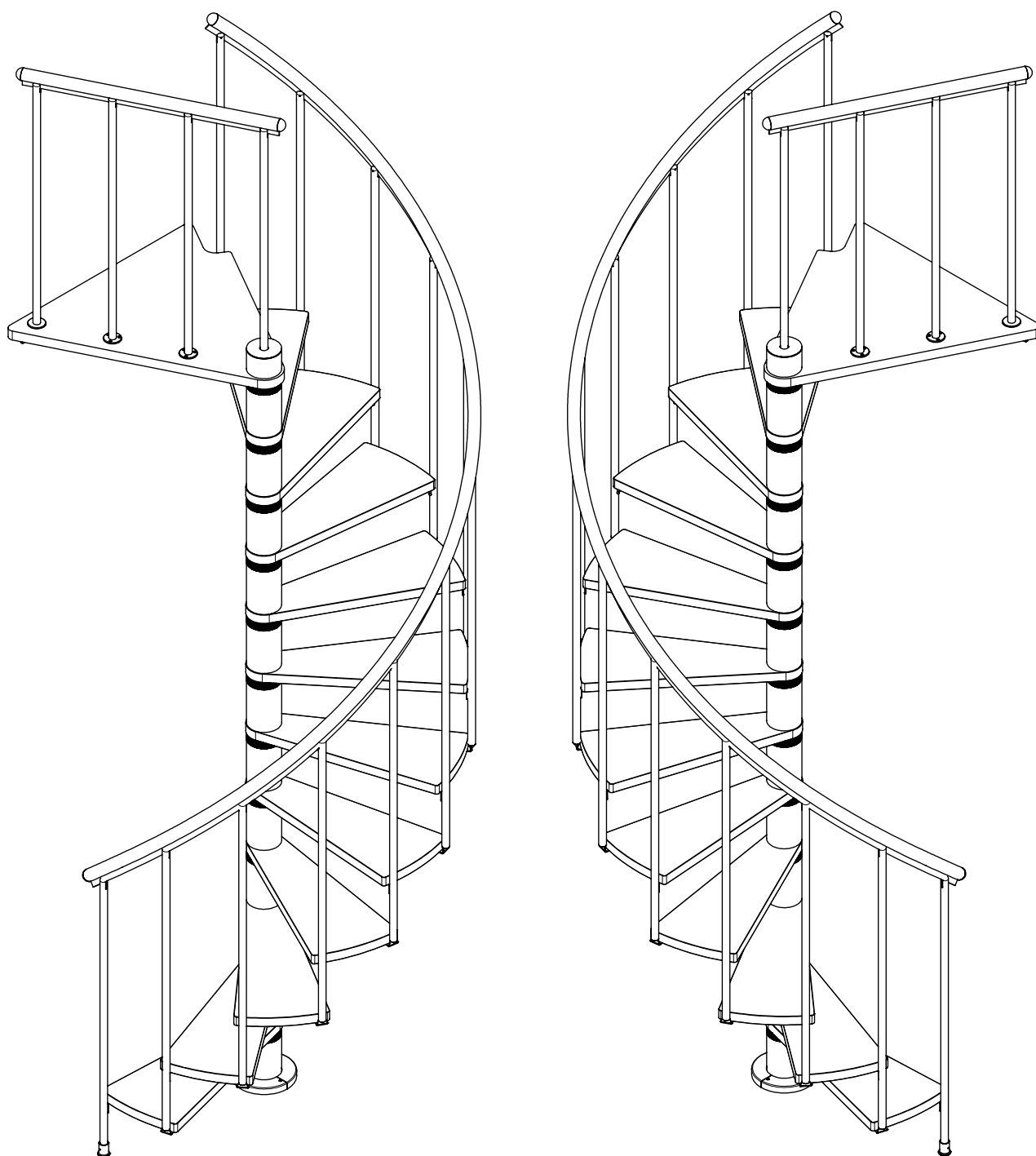
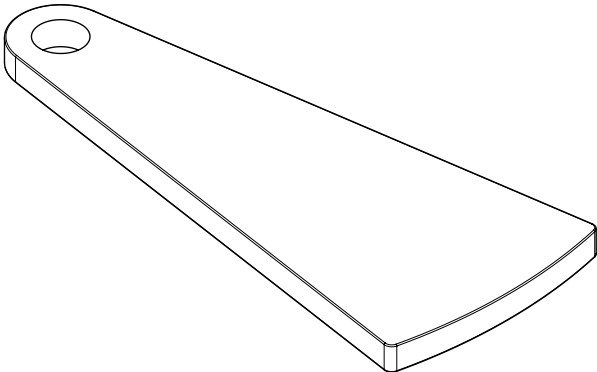

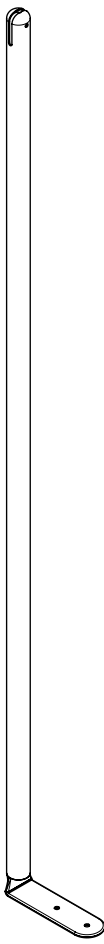

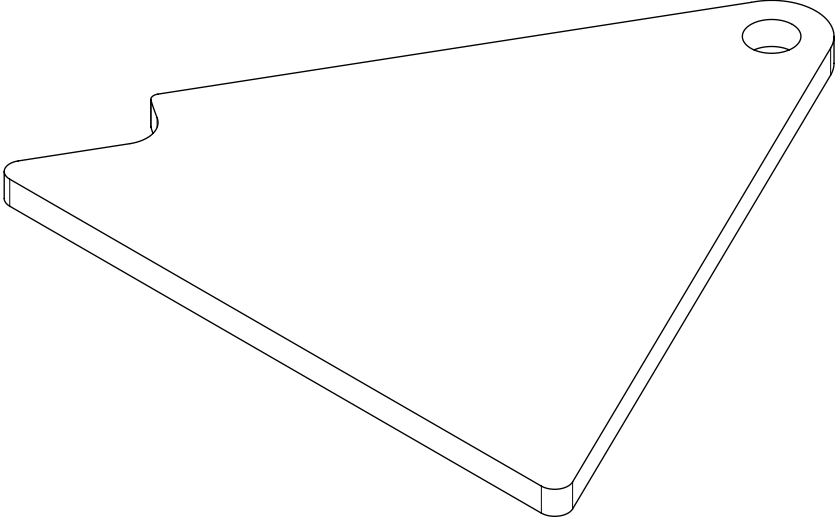


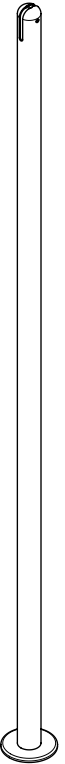


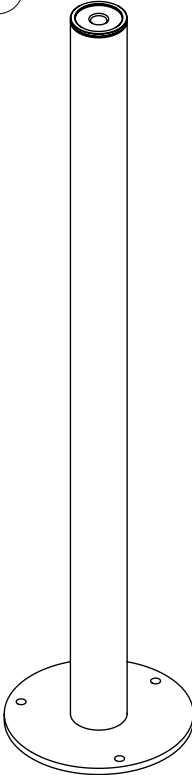
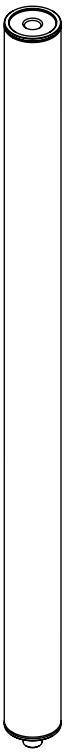

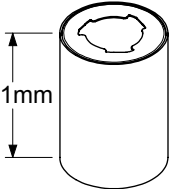
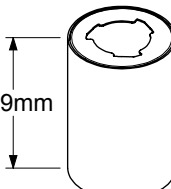
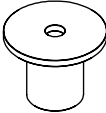
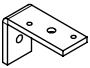
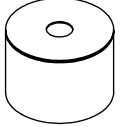
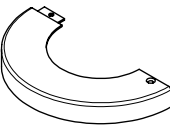


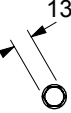
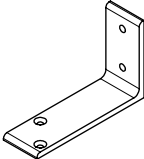
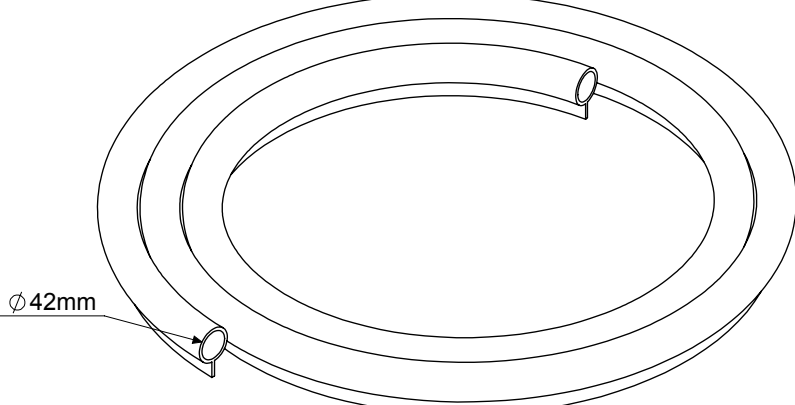
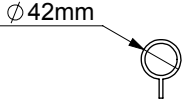
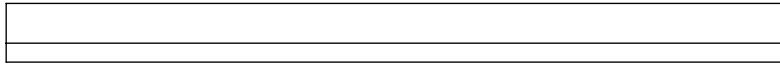





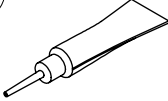



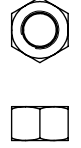





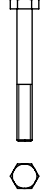



# CALGARY

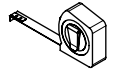
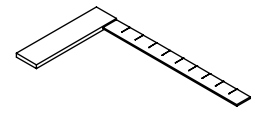
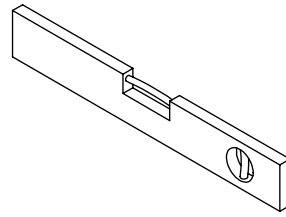
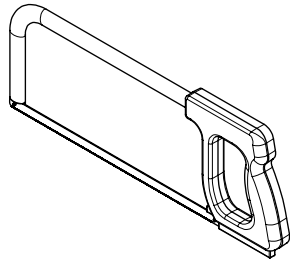
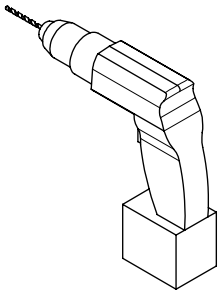


**You Tube**  
Dolle Group

<p>1</p>  <p>× 11</p>	<p>3</p>  <p>× 12 K1-71231 RAL 9006 K1-71431 RAL 7016 K1-71631 RAL 9016</p>	<p>5</p> 	<p>6</p>  <p>× 1 K1-71220 RAL 9006 K1-71420 RAL 7016 K1-71620 RAL 9016</p>		
<p>2</p>  <p>× 1</p>		<p>7</p>  <p>× 1 K1-32224 RAL 9006 K1-71421 RAL 7016 K1-32424 RAL 9016</p>			
<p>8</p>  <p>× 1 K2-71260 RAL 9006 K2-71460 RAL 7016 K2-71660 RAL 9016</p>	<p>9</p>  <p>× 2 K2-71250 RAL 9006 K2-71450 RAL 7016 K2-71650 RAL 9016</p>	<p>10</p>  <p>× 1 K2-71240 RAL 9006 K2-71440 RAL 7016 K2-71640 RAL 9016</p>	<p>11</p>  <p>× 1 K2-71010</p>	<p>12</p>  <p>× 1 K2-71012</p>	<p>13</p>  <p>× 1 K1-71000</p>

<p>14</p> 	<p>15</p>  <p>161mm</p>	<p>16</p>  <p>169mm</p>	<p>17</p> 	<p>18</p> 	<p>19</p> 
	<p>20</p> 	<p>21</p> 	<p>22</p> 	<p>23</p>  <p>13mm</p>	<p>24</p> 
<p>× 1 K3-07023</p>	<p>× 2 K2-71200 RAL 9006 K2-71400 RAL 7016 K2-71600 RAL 9016</p>	<p>× 11 K2-71211 RAL 9006 K2-71411 RAL 7016 K2-71611 RAL 9016</p>	<p>× 1 K2-71005</p>	<p>× 3 K1-71201 RAL 9006 K1-71401 RAL 7016 K1-71601 RAL 9016</p>	<p>× 1 K2-71215 RAL 9006 K2-71415 RAL 7016 K2-71615 RAL 9016</p>
<p>25</p>  <p>Ø 42mm</p>	<p>× 2 K1-71290 RAL 9006 K1-39010 RAL 7016 K1-29486 RAL 9016</p>	<p>× 4</p>	<p>× 6 K1-01013 RAL 9006 K1-01023 RAL 7016 K1-01003 RAL 9016</p>	<p>× 2 K1-39000</p>	<p>× 1 K1-19310 RAL 9006 K1-71402 RAL 7016 K1-71602 RAL 9016</p>
<p>26</p>  <p>Ø 42mm</p> 	<p>× 1 K1-71291 1,0 m - RAL 9006 K1-39110 1,0 m - RAL 7016 K1-29410 1,0 m - RAL 9016</p>				
<p>27</p> 	<p>× 72 K1-71205 RAL 9006 K1-71405 RAL 7016 K1-71605 RAL 9016</p>				

<p>50</p>  <p>× 63 K3-06022 RAL 9006 K3-10226 RAL 7016 K3-10126 RAL 9016 Ø5 x 35</p>	<p>51</p>  <p>× 24 K3-06199 RAL 9006 K3-10239 RAL 7016 K3-10139 RAL 9016 M5 x 20</p>	<p>52</p>  <p>× 1 K3-90001</p>	<p>53</p>  <p>× 9 K3-04028 Ø8,4</p>	<p>54</p>  <p>× 8 K3-08004 Ø10 x 60</p>	<p>55</p>  <p>× 8 K3-06015 M8 x 70</p>
<p>56</p>  <p>× 1 K3-03024 M20 x 18</p>	<p>57</p>  <p>× 1 K3-04020 Ø20</p>	<p>58</p>  <p>× 1 K3-08002 Ø8 x 40</p>	<p>59</p>  <p>× 2 K3-02131 RAL 9006 K3-10231 RAL 7016 K3-10131 RAL 9016 M4 x 10</p>	<p>60</p>  <p>× 1 K3-05013 RAL 9006 K3-10233 RAL 7016 K3-10133 RAL 9016 M6 x 6</p>	<p>61</p>  <p>× 16 K3-05011 RAL 9006 K3-10230 RAL 7016 K3-10130 RAL 9016 M5 x 20</p>
<p>62</p>  <p>× 1 K3-02081 M8 x 70</p>	<p>63</p>  <p>× 1 K3-03014 M20 x 10</p>	<p>69</p>  <p>× 1 R1-63272 Ø6 x 25</p>	<p>71</p>  <p>× 1 K3-06016 Ø6 x 40</p>		



Torx 25



2,5mm

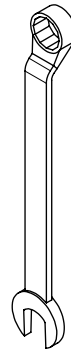


3mm

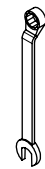


4mm

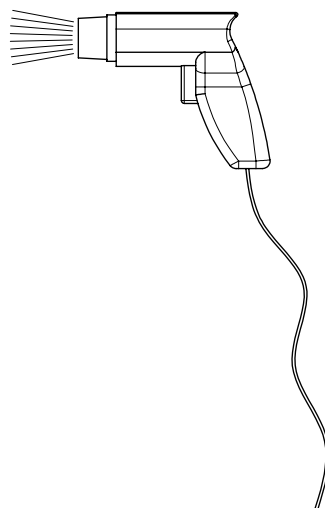
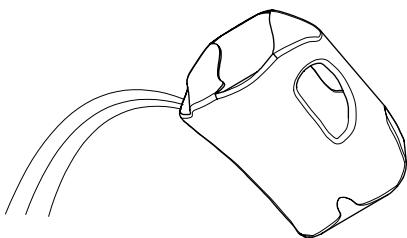
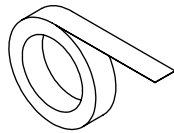
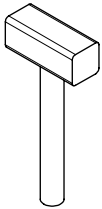
x 2

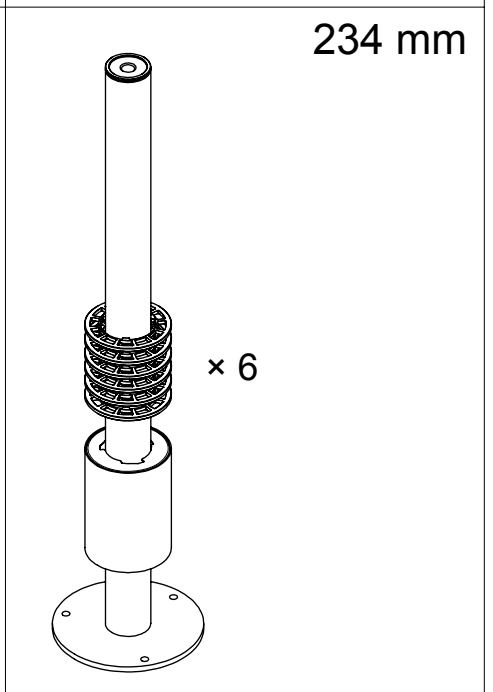
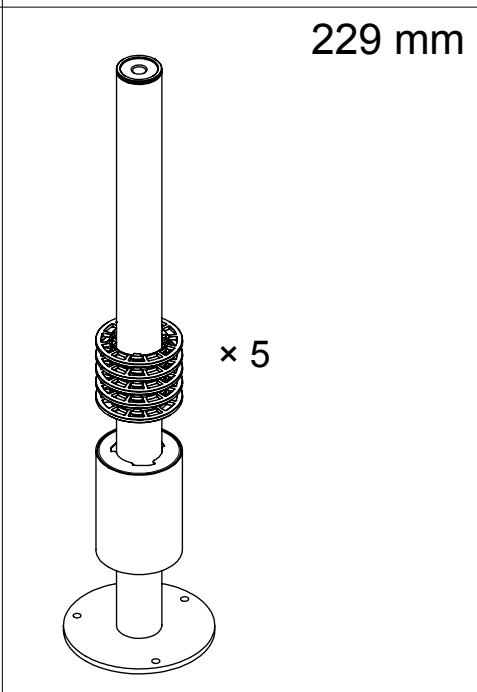
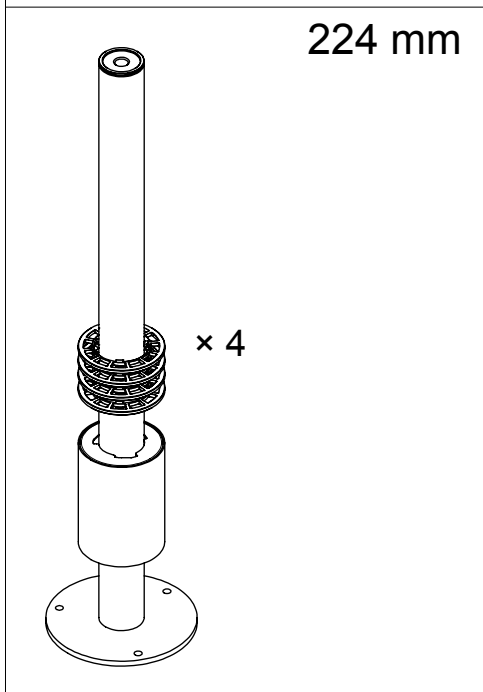
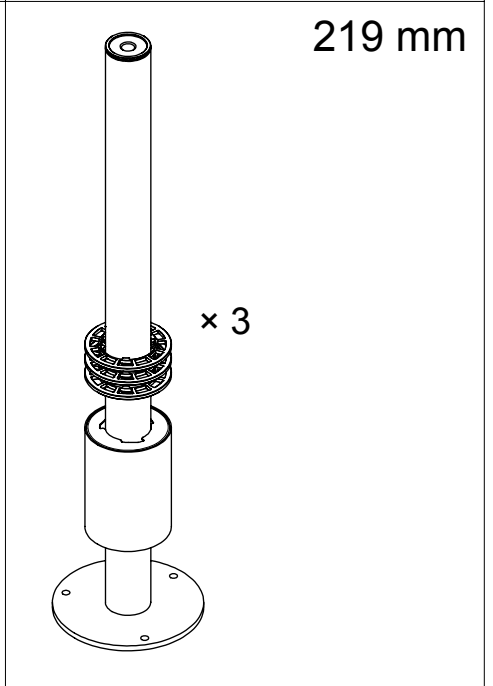
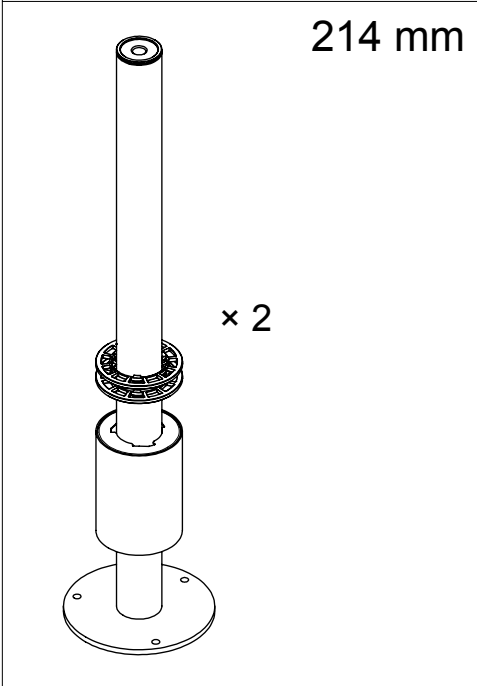
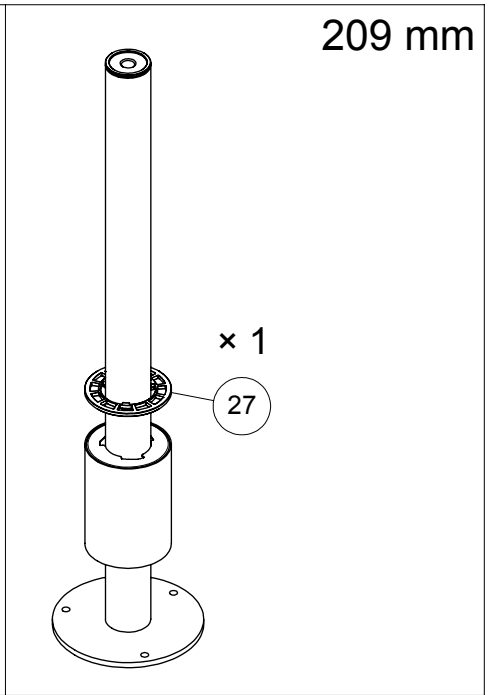
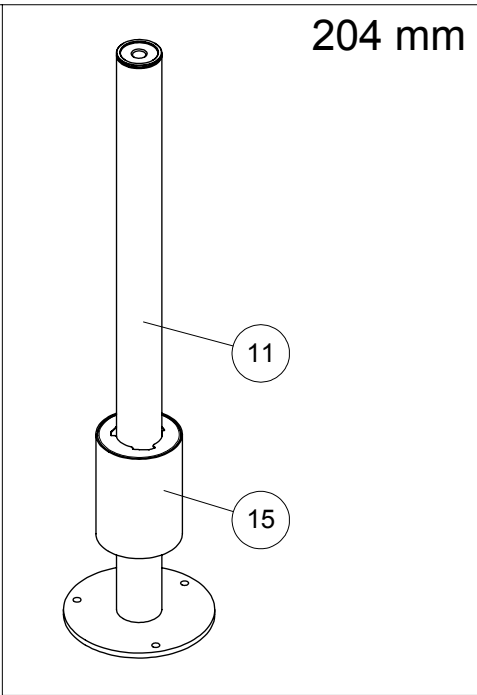
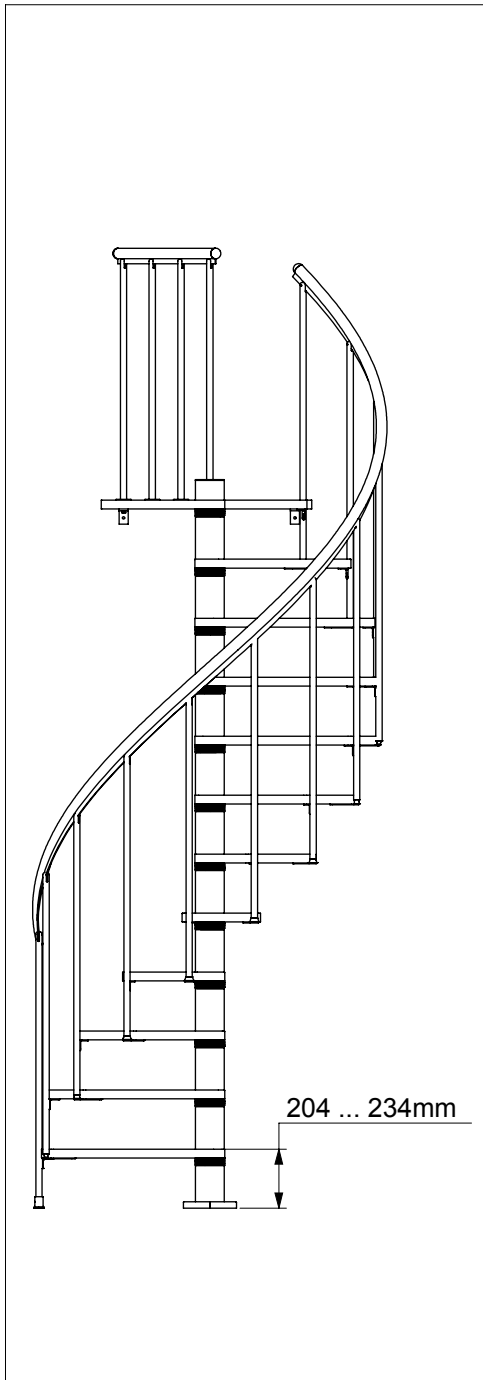


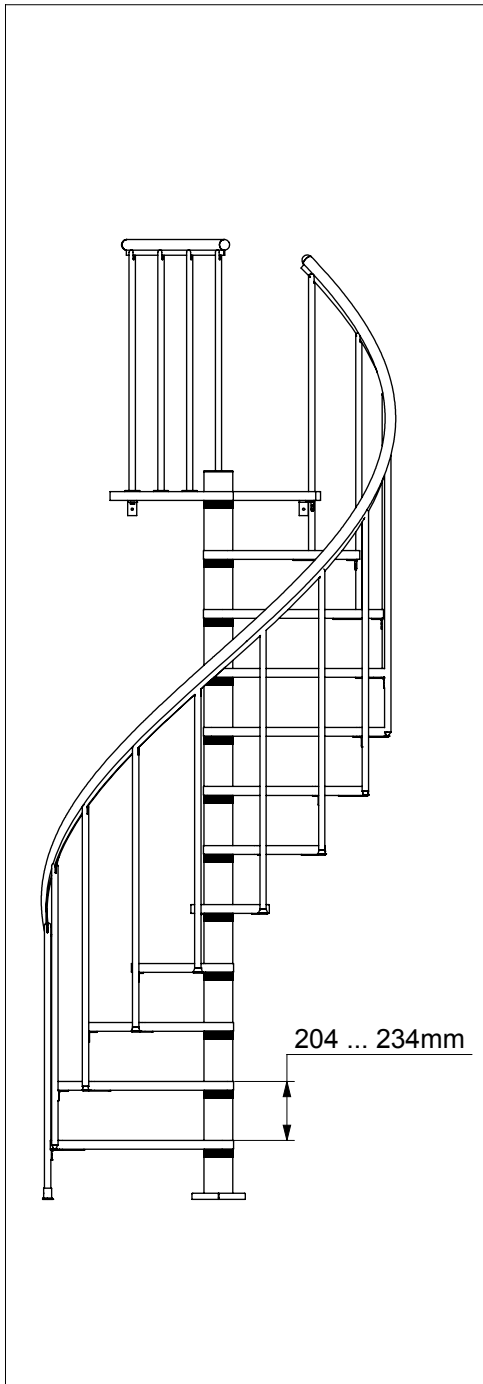
30mm



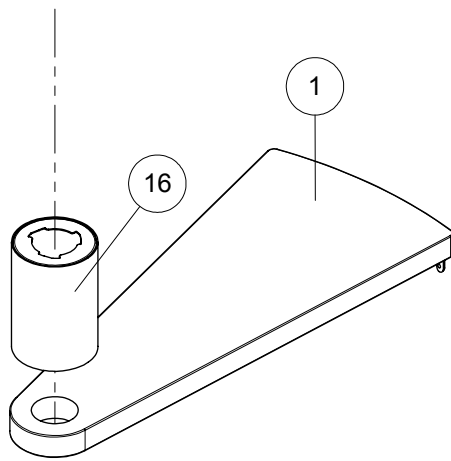
13mm



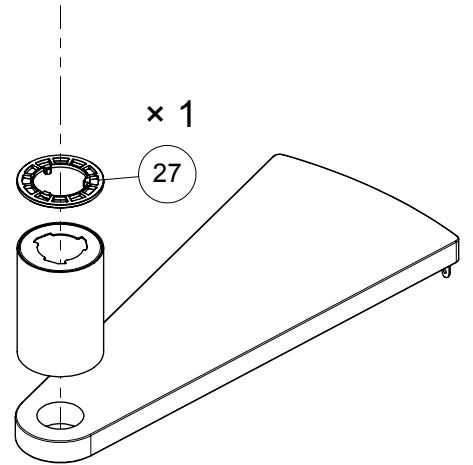




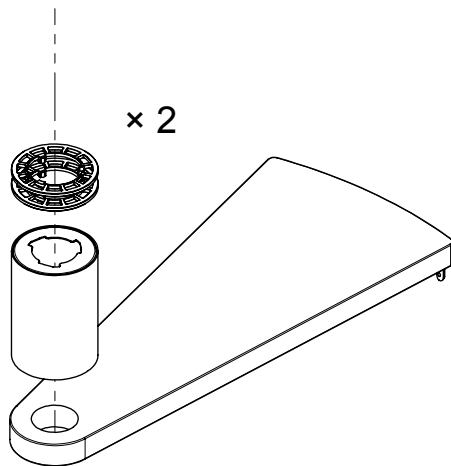
204 mm



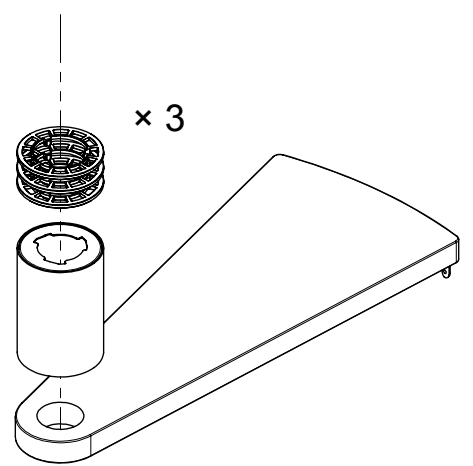
209 mm



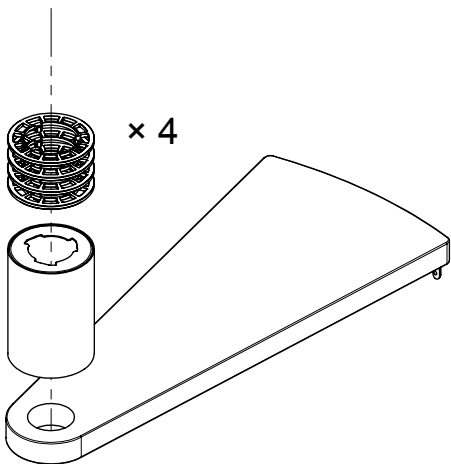
214 mm



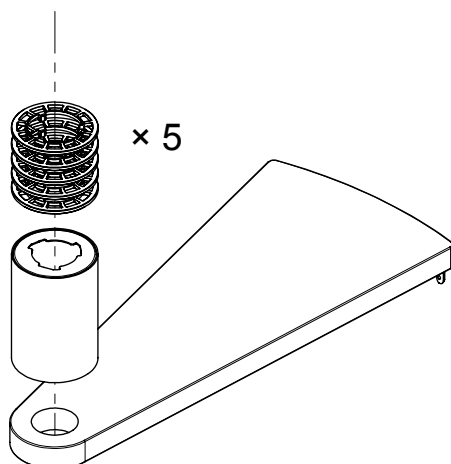
219 mm



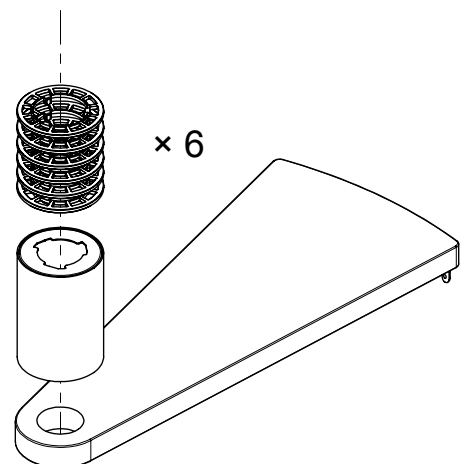
224 mm

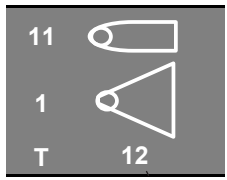


229 mm

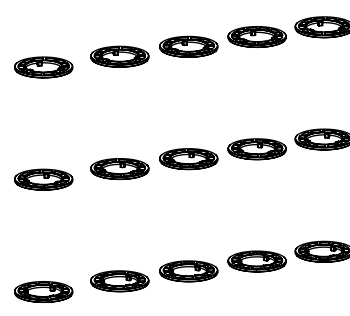


234 mm

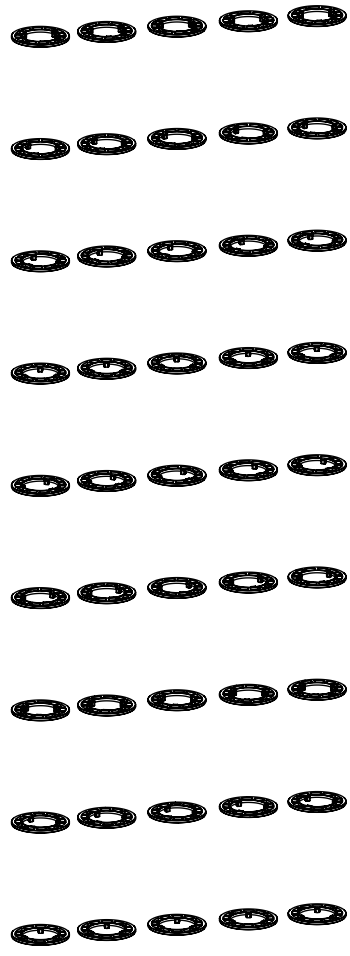




N  
0 ... 6 st (pcs)



N  
0 ... 6 st (pcs)



P  
+1  
st (pcs)

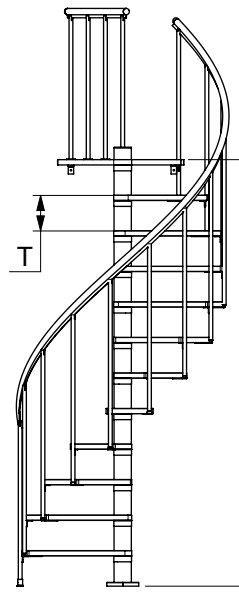
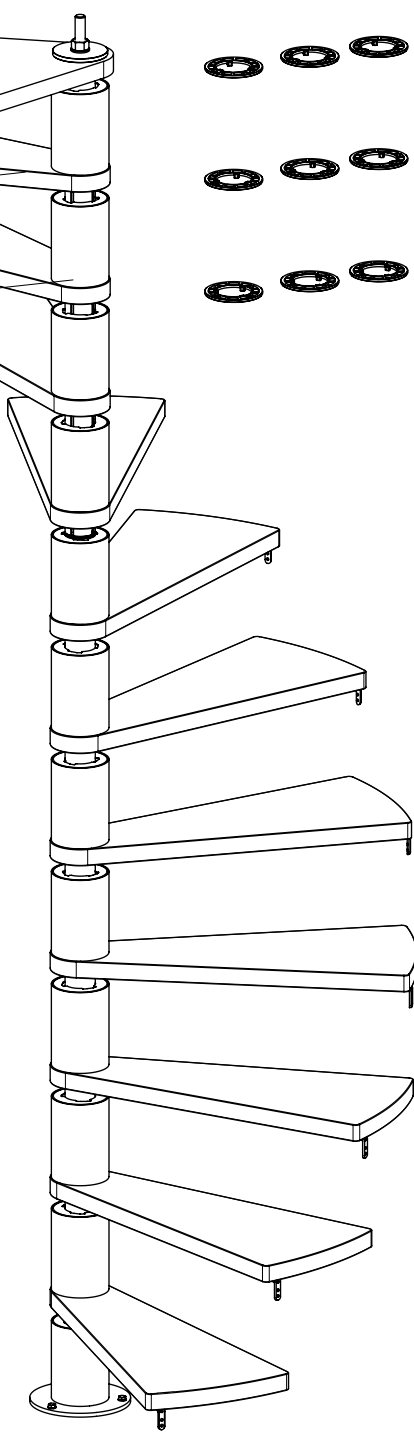


**N x T**  
5 st (pcs) x 12  
= 60 st (pcs)

**P**  
+6 st (pcs)


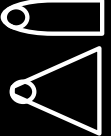

2773	5	5
2778	5	6
2783	5	7
2788	5	8
2793	5	9
2798	5	10

2773	5	5
2778	5	6
2783	5	7
2788	5	8
2793	5	9
2798	5	10

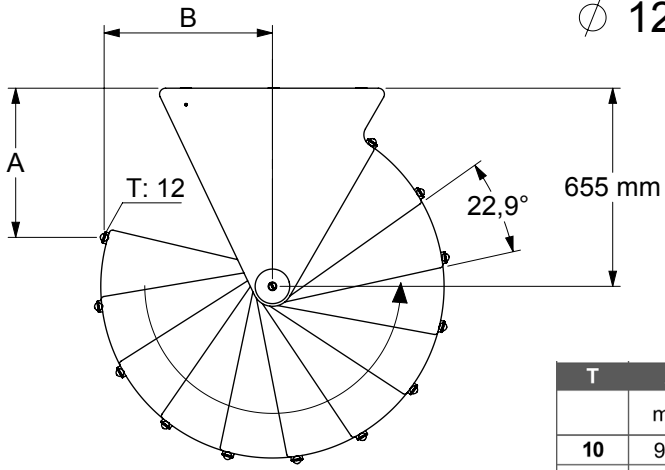


H 2778 mm

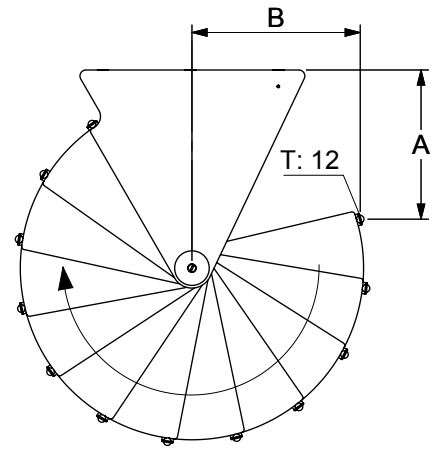


9 			10 			11 											
T 10			T 11			T 12											
H	N	P	H	N	P	H	N	P	H	N	P	H	N	P			
mm	st	st	mm	st	st	mm	st	st	mm	st	st	mm	st	st			
pcs	pcs		pcs	pcs		pcs	pcs		pcs	pcs		pcs	pcs				
2040	0	0	2195	3	1	2244	0	0	2414	3	1	2448	0	0	2633	3	1
2045	0	1	2200	3	2	2249	0	1	2419	3	2	2453	0	1	2638	3	2
2050	0	2	2205	3	3	2254	0	2	2424	3	3	2458	0	2	2643	3	3
2055	0	3	2210	3	4	2259	0	3	2429	3	4	2463	0	3	2648	3	4
2060	0	4	2215	3	5	2264	0	4	2434	3	5	2468	0	4	2653	3	5
2065	0	5	2220	3	6	2269	0	5	2439	3	6	2473	0	5	2658	3	6
2070	0	6	2225	3	7	2274	0	6	2444	3	7	2478	0	6	2663	3	7
2075	0	7	2230	3	8	2279	0	7	2449	3	8	2483	0	7	2668	3	8
2080	0	8	2235	3	9	2284	0	8	2454	3	9	2488	0	8	2673	3	9
2085	0	9	2240	4	0	2289	0	9	2459	3	10	2493	0	9	2678	3	10
2090	1	0	2245	4	1	2294	0	10	2464	4	0	2498	0	10	2683	3	11
2095	1	1	2250	4	2	2299	1	0	2469	4	1	2503	0	11	2688	4	0
2100	1	2	2255	4	3	2304	1	1	2474	4	2	2508	1	0	2693	4	1
2105	1	3	2260	4	4	2309	1	2	2479	4	3	2513	1	1	2698	4	2
2110	1	4	2265	4	5	2314	1	3	2484	4	4	2518	1	2	2703	4	3
2115	1	5	2270	4	6	2319	1	4	2489	4	5	2523	1	3	2708	4	4
2120	1	6	2275	4	7	2324	1	5	2494	4	6	2528	1	4	2713	4	5
2125	1	7	2280	4	8	2329	1	6	2499	4	7	2533	1	5	2718	4	6
2130	1	8	2285	4	9	2334	1	7	2504	4	8	2538	1	6	2723	4	7
2135	1	9	2290	5	0	2339	1	8	2509	4	9	2543	1	7	2728	4	8
2140	2	0	2295	5	1	2344	1	9	2514	4	10	2548	1	8	2733	4	9
2145	2	1	2300	5	2	2349	1	10	2519	5	0	2553	1	9	2738	4	10
2150	2	2	2305	5	3	2354	2	0	2524	5	1	2558	1	10	2743	4	11
2155	2	3	2310	5	4	2359	2	1	2529	5	2	2563	1	11	2748	5	0
2160	2	4	2315	5	5	2364	2	2	2534	5	3	2568	2	0	2753	5	1
2165	2	5	2320	5	6	2369	2	3	2539	5	4	2573	2	1	2758	5	2
2170	2	6	2325	5	7	2374	2	4	2544	5	5	2578	2	2	2763	5	3
2175	2	7	2330	5	8	2379	2	5	2549	5	6	2583	2	3	2768	5	4
2180	2	8	2335	5	9	2384	2	6	2554	5	7	2588	2	4	2773	5	5
2185	2	9	2340	6	0	2389	2	7	2559	5	8	2593	2	5	2778	5	6
2190	3	0				2394	2	8	2564	5	9	2598	2	6	2783	5	7
						2399	2	9	2569	5	10	2603	2	7	2788	5	8
						2404	2	10	2574	6	0	2608	2	8	2793	5	9
						2409	3	0				2613	2	9	2798	5	10
												2618	2	10	2803	5	11
												2623	2	11	2808	6	0
												2628	3	0			

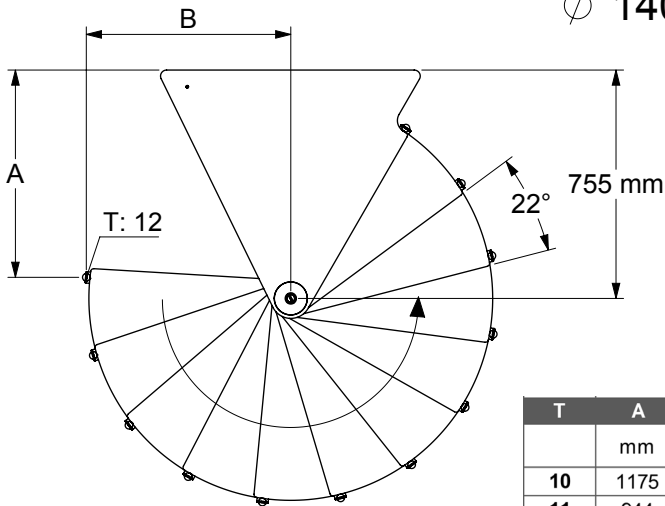
∅ 120 cm



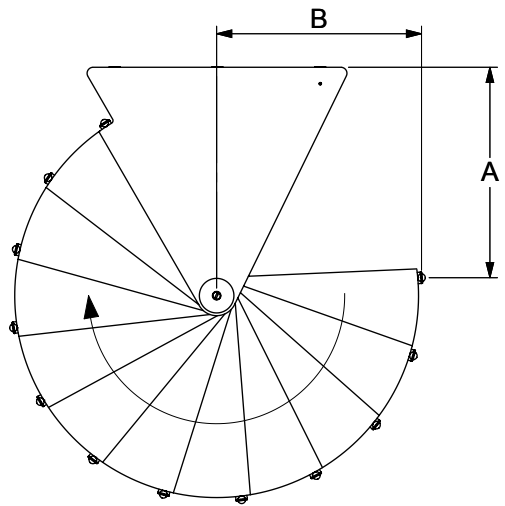
T	A	B
	mm	mm
10	941	506
11	722	578
12	493	558

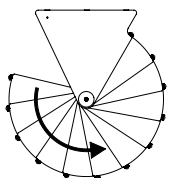
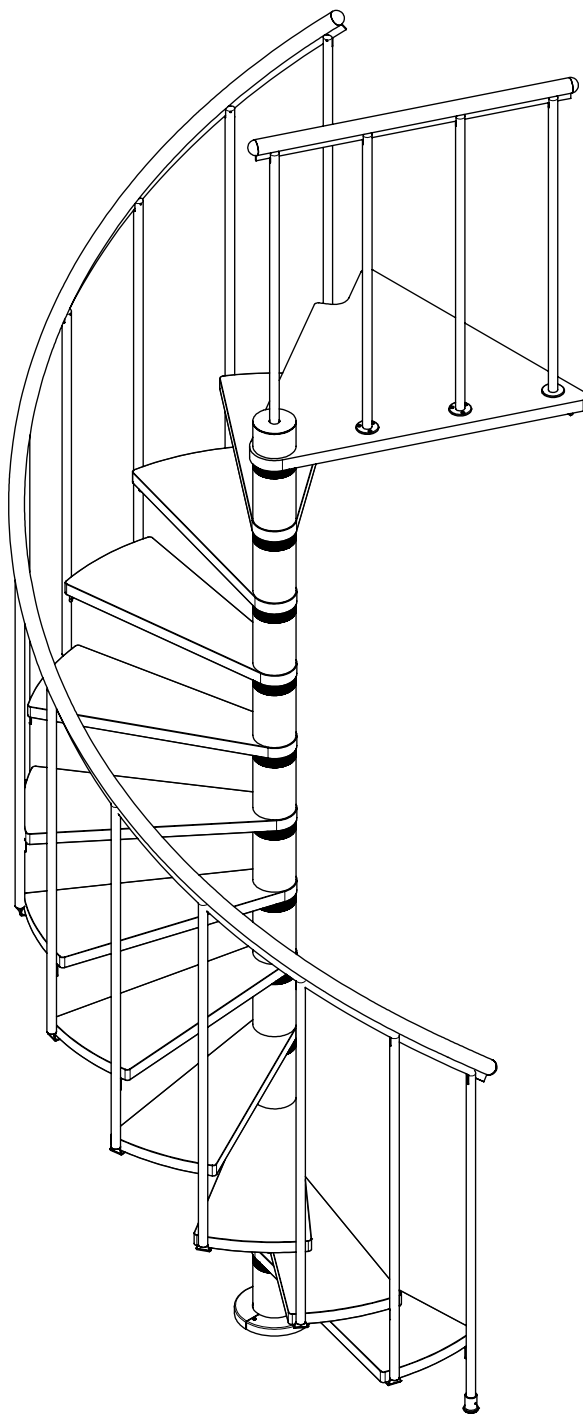
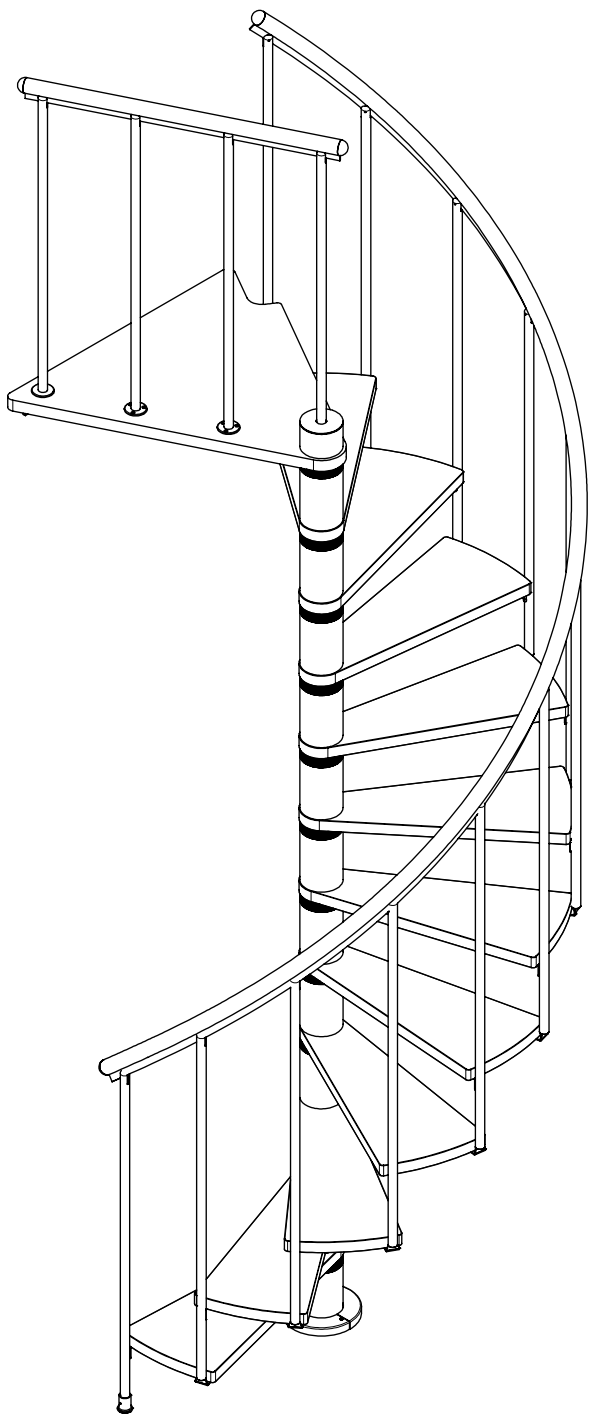
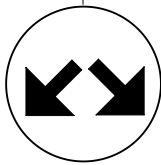


∅ 140 cm



T	A	B
	mm	mm
10	1175	537
11	944	655
12	685	678

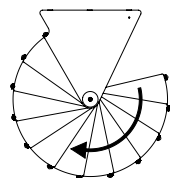




Left  
Links  
Gauche



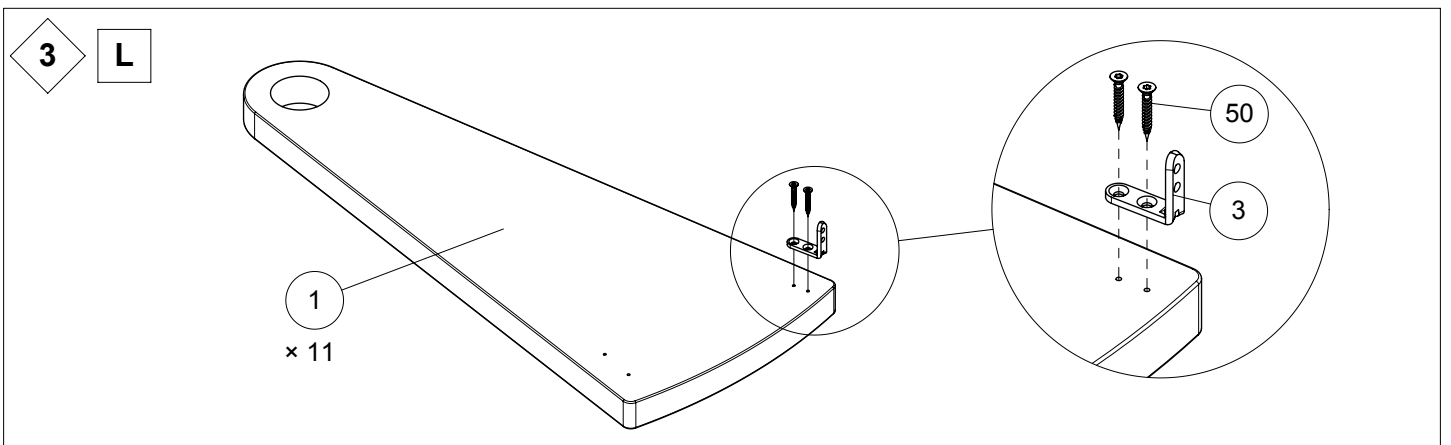
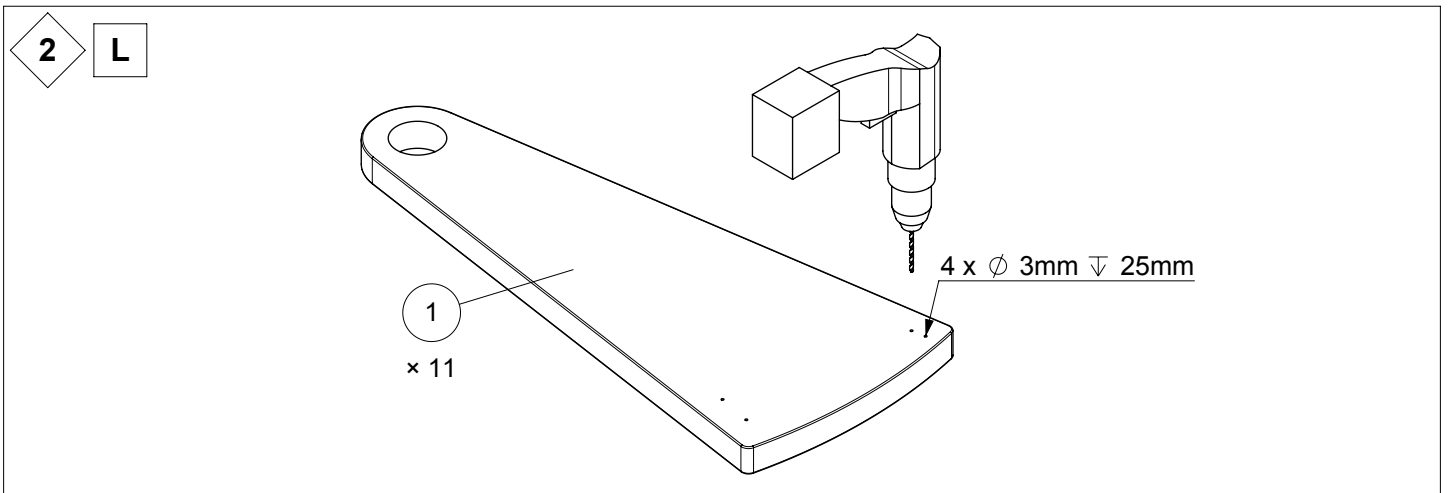
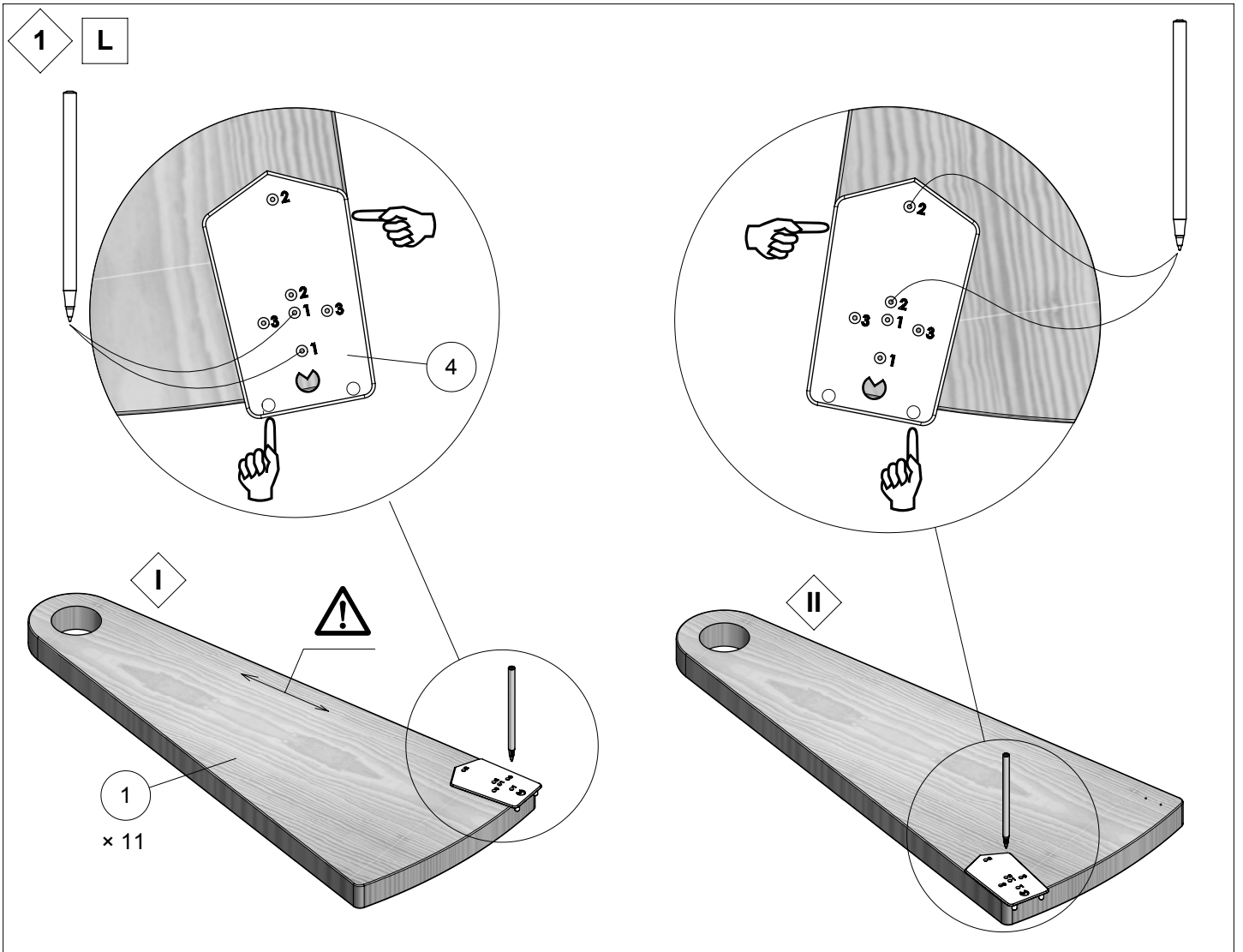
1 L

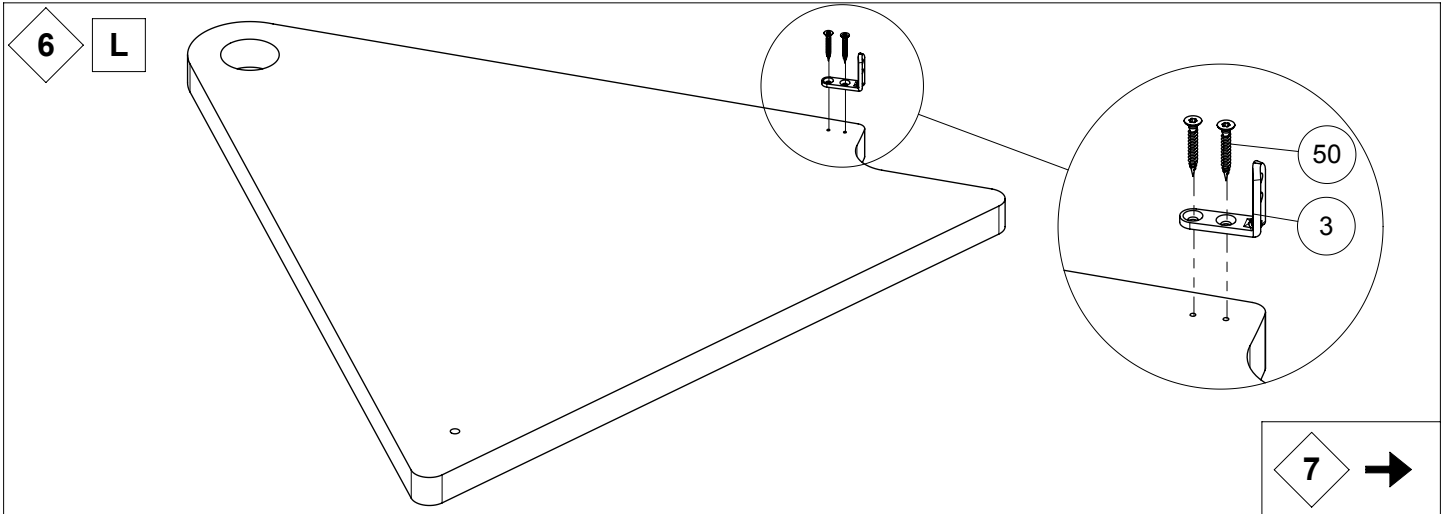
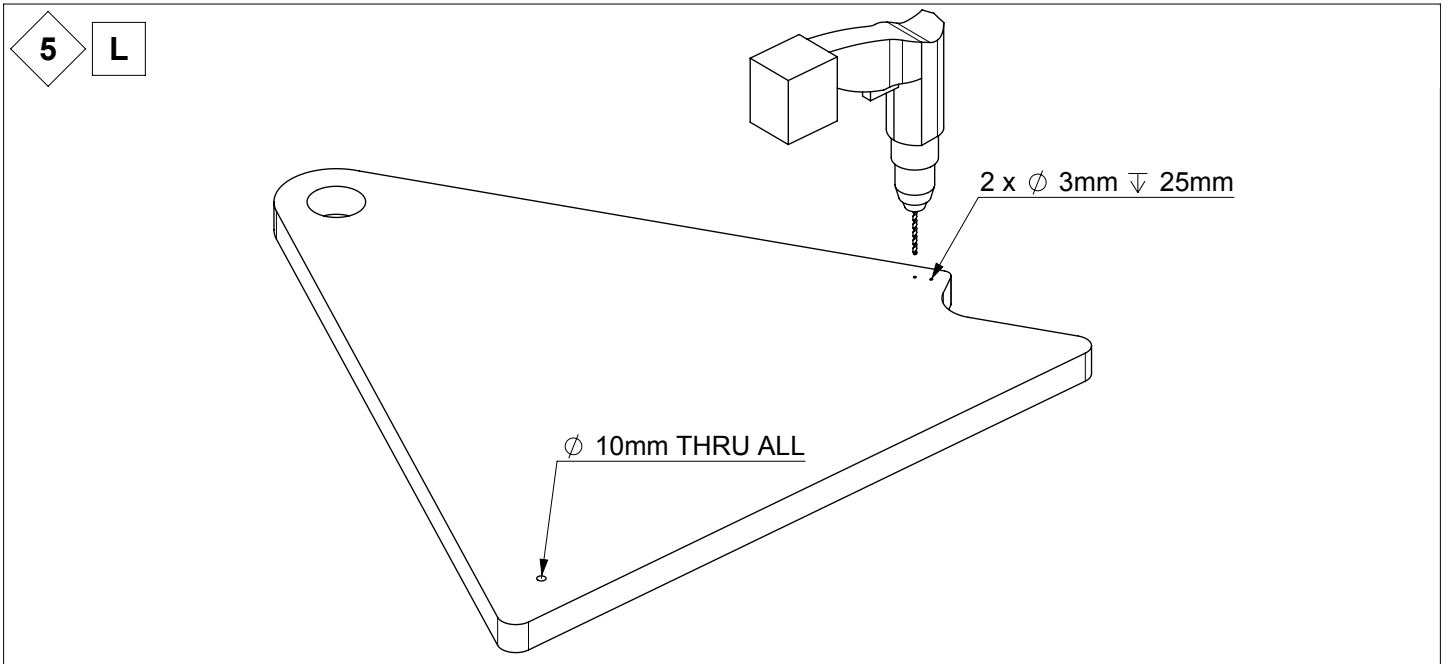
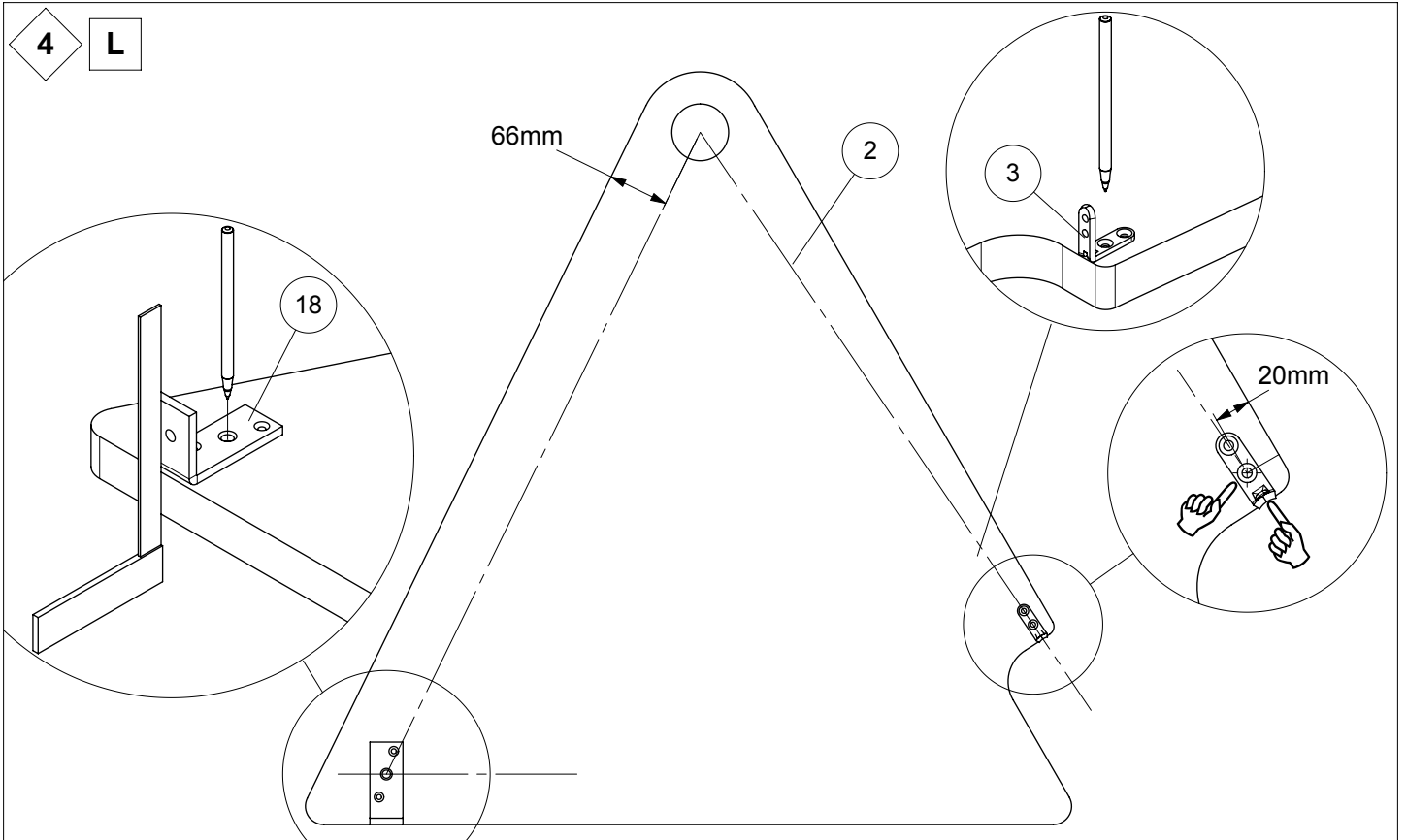


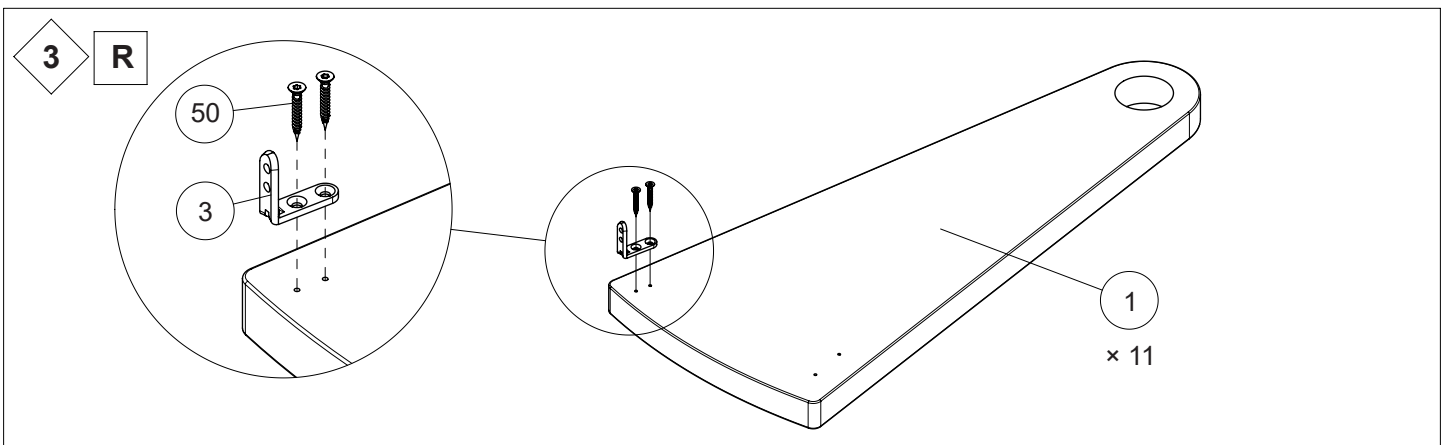
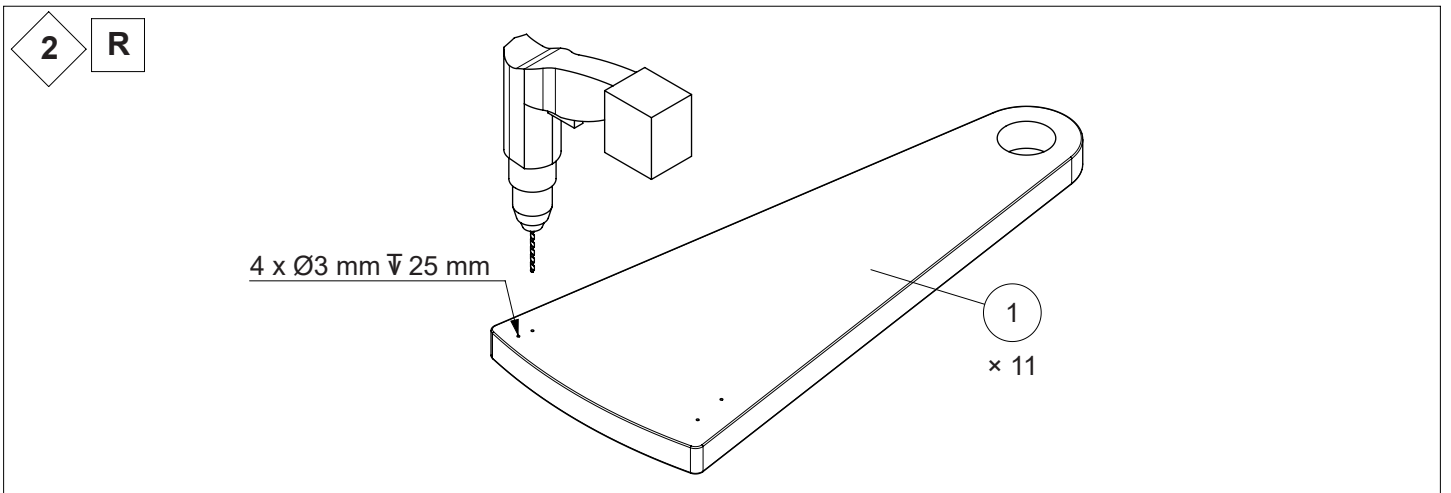
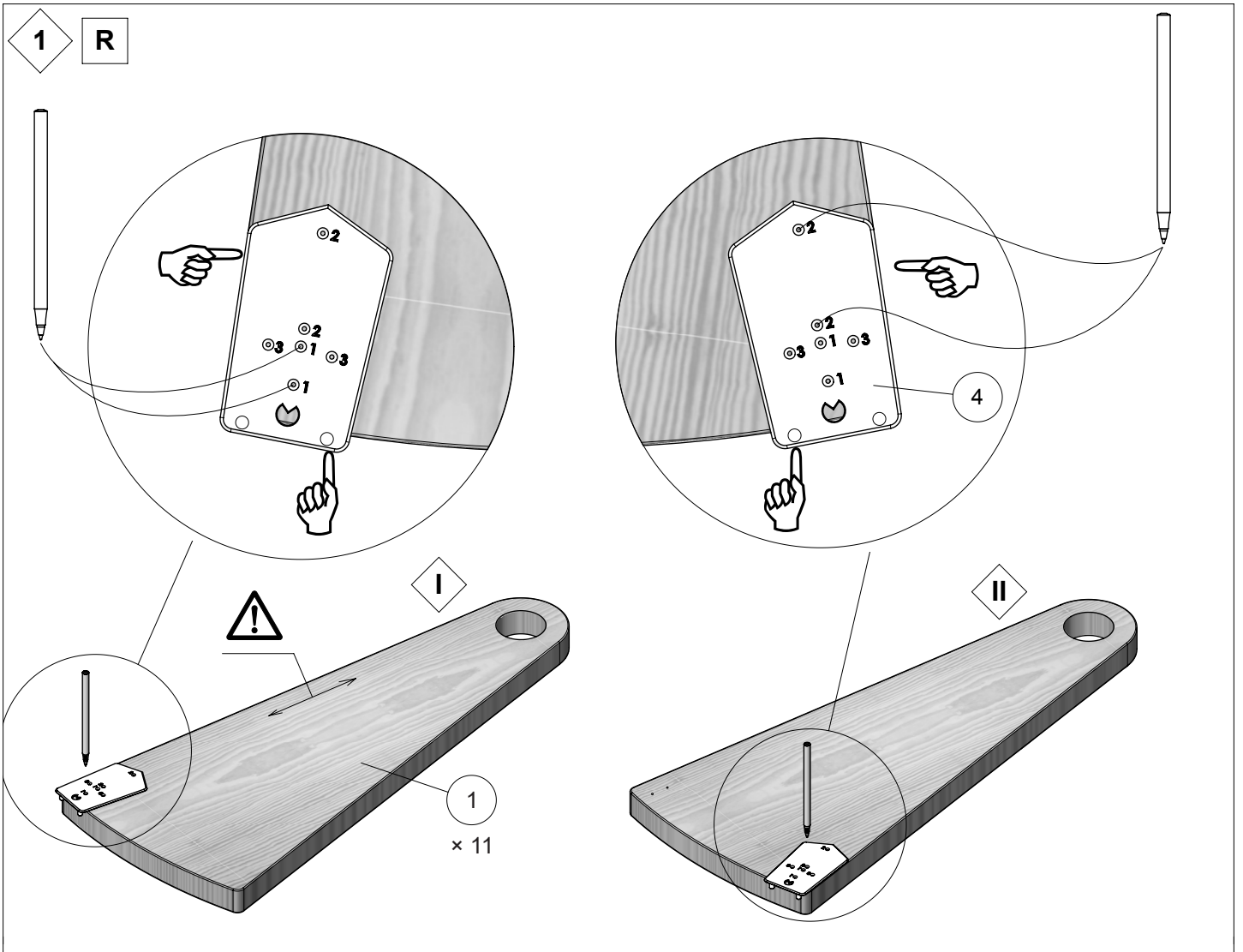
Right  
Recht  
Droite

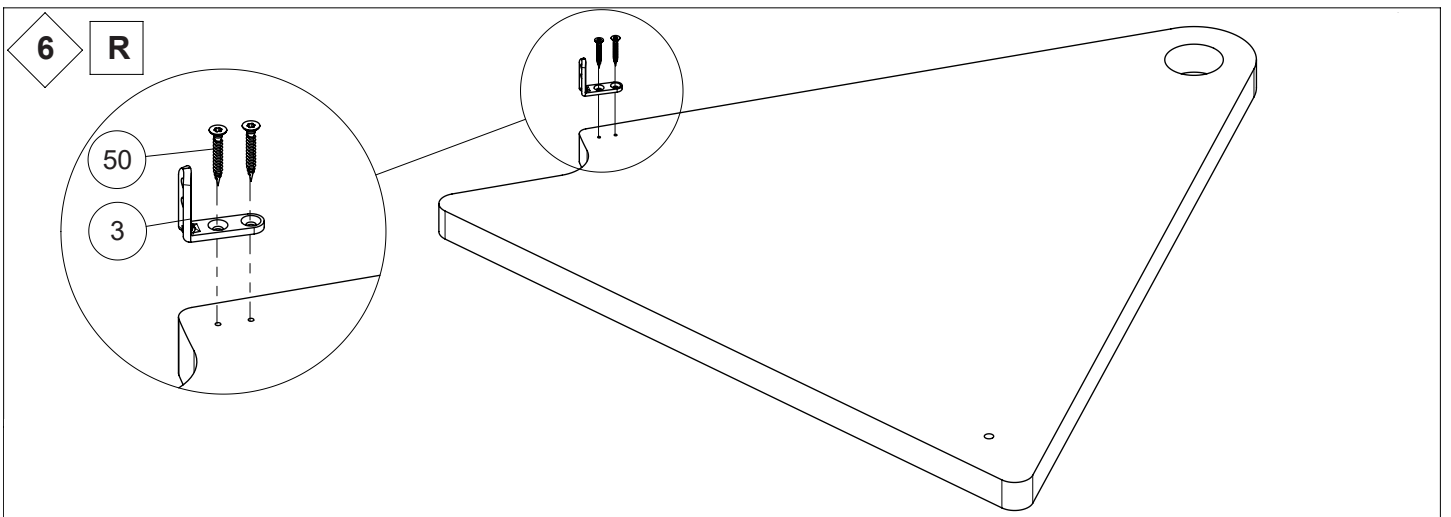
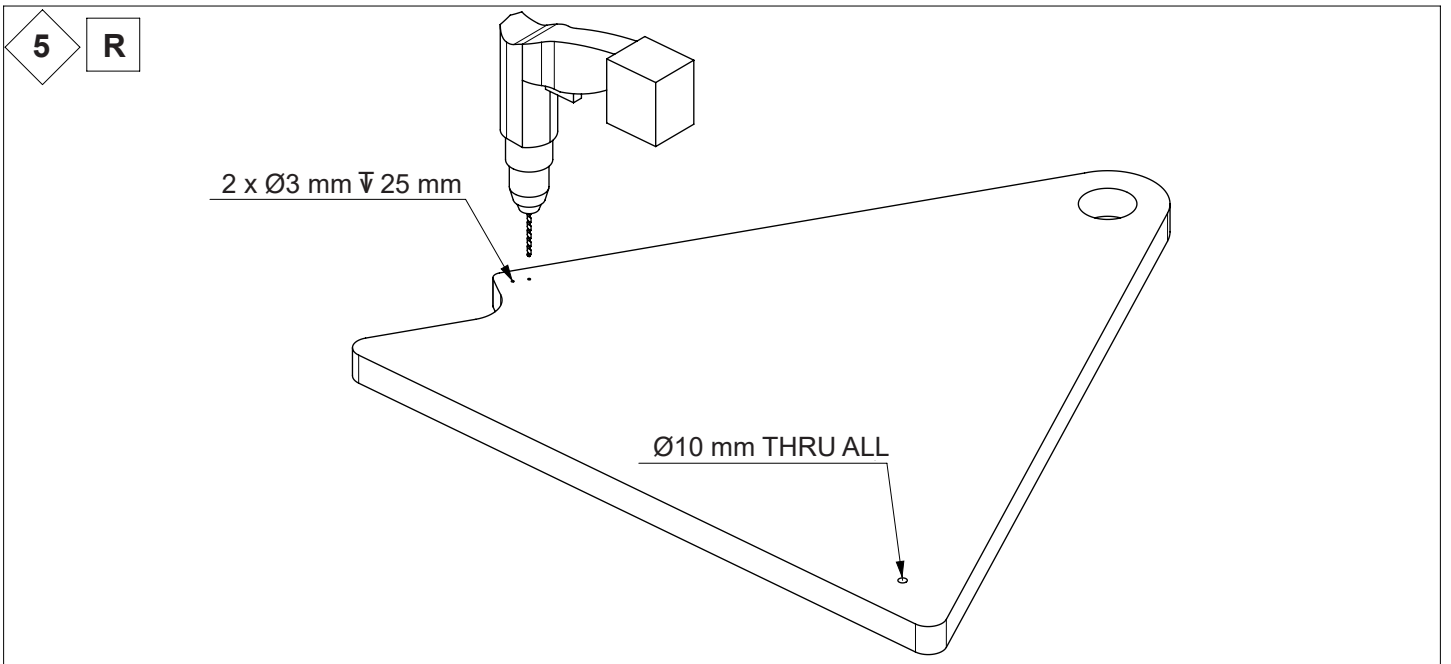
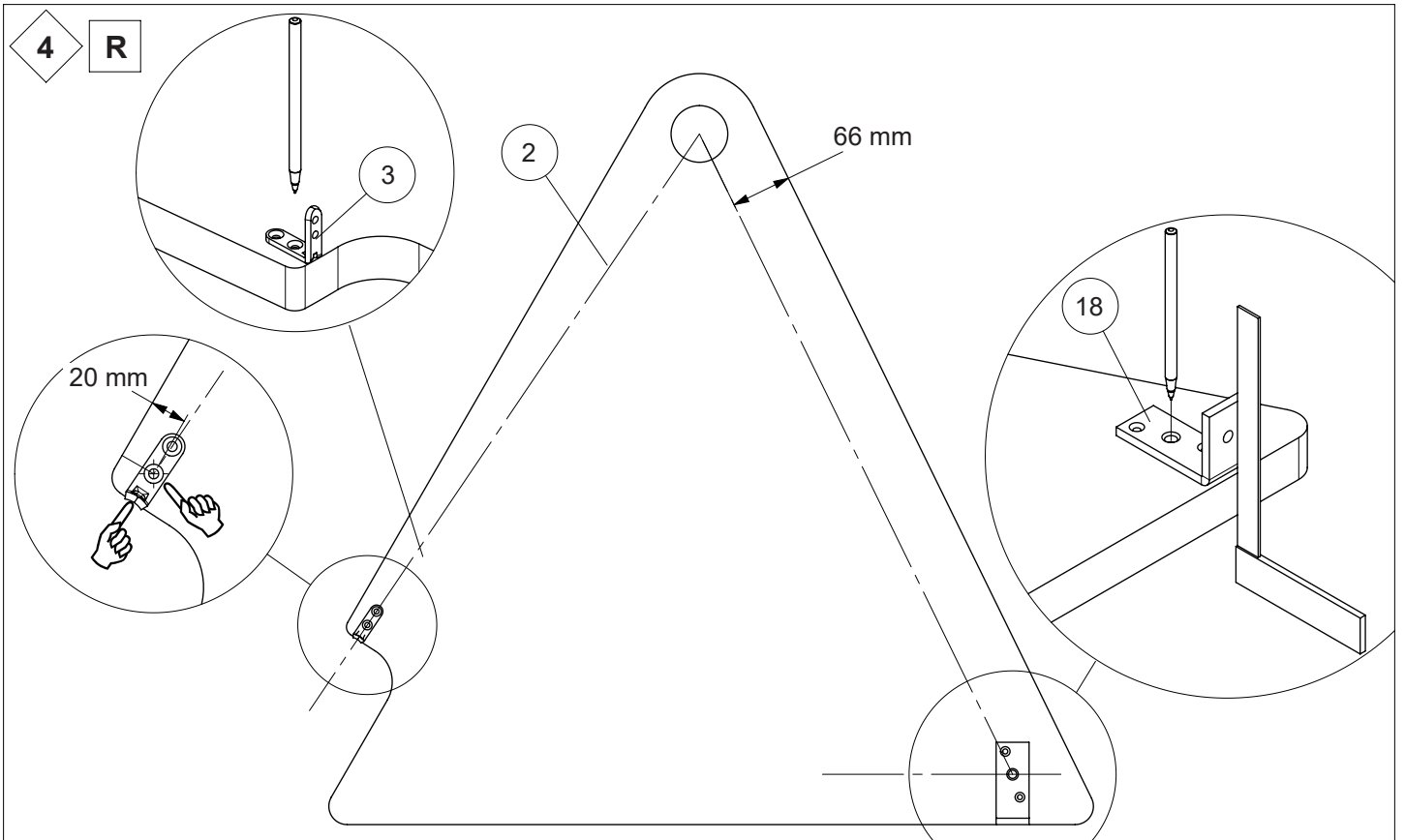


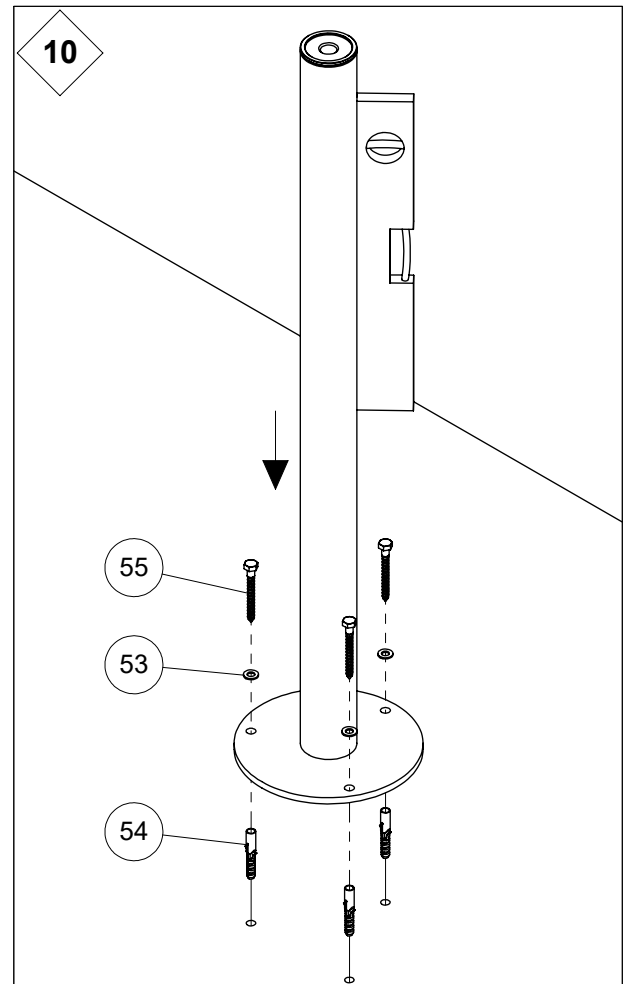
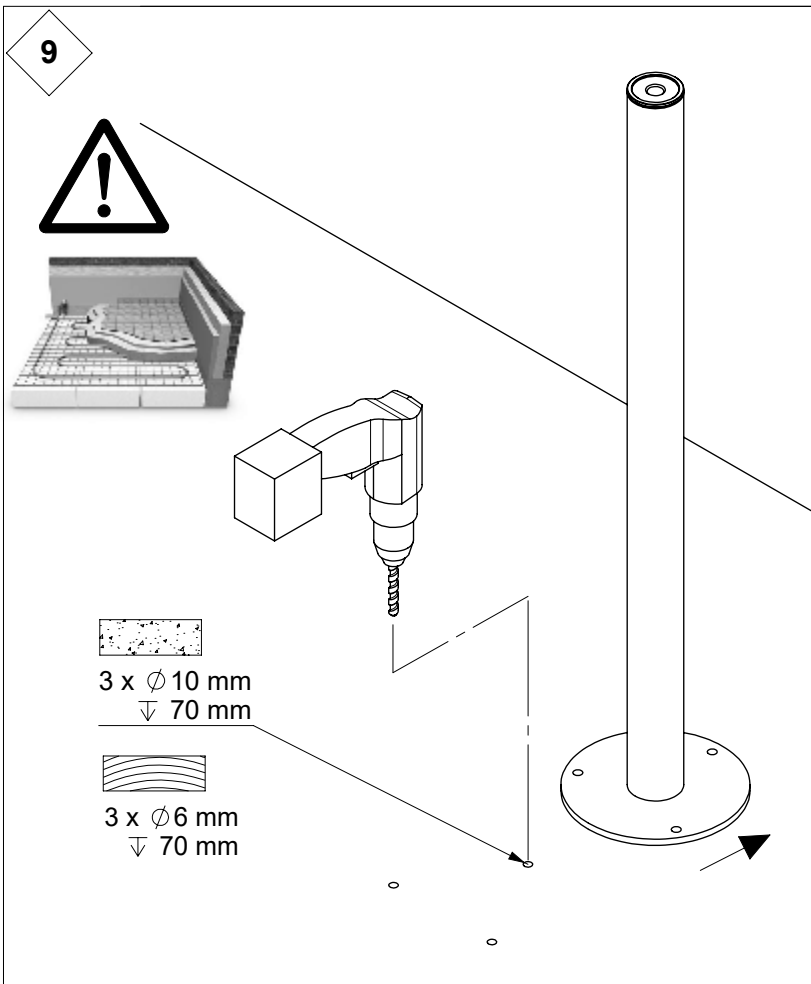
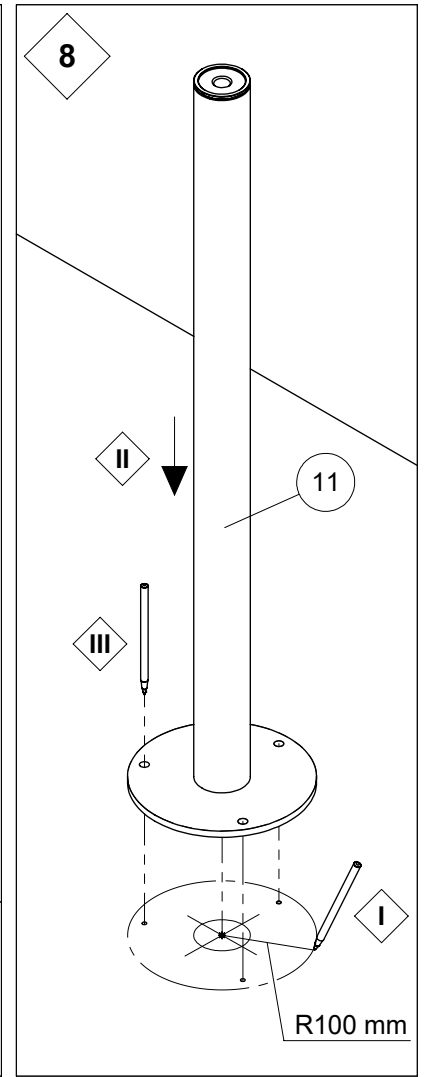
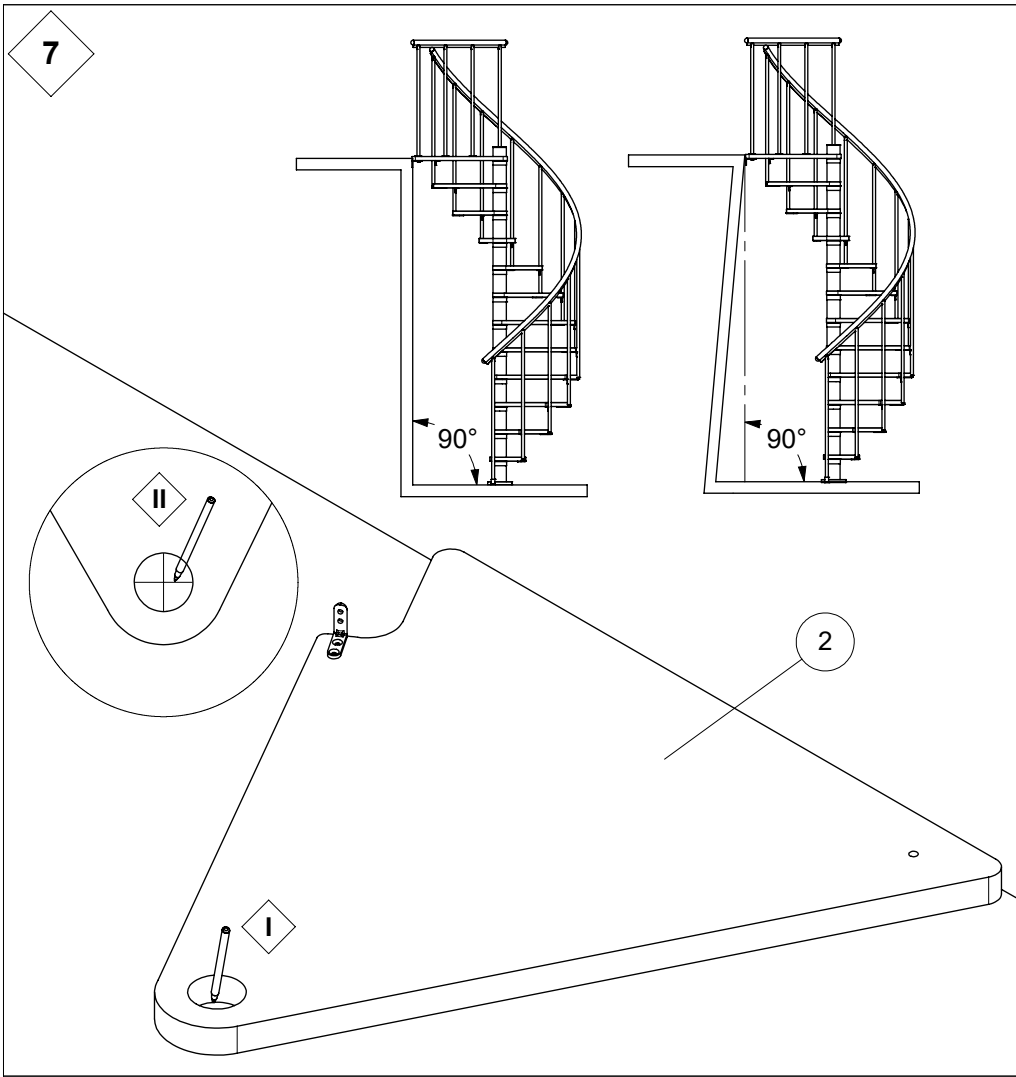
1 R



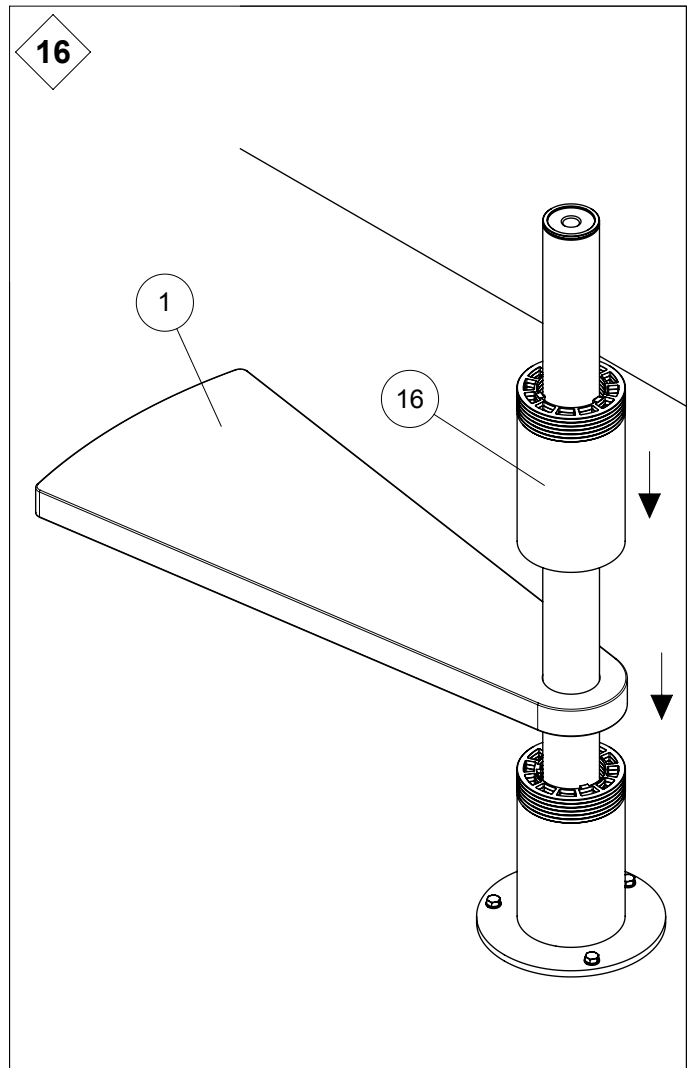
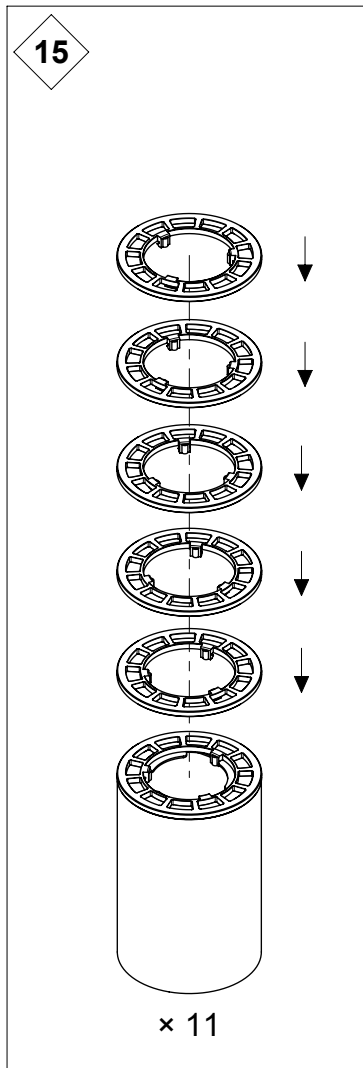
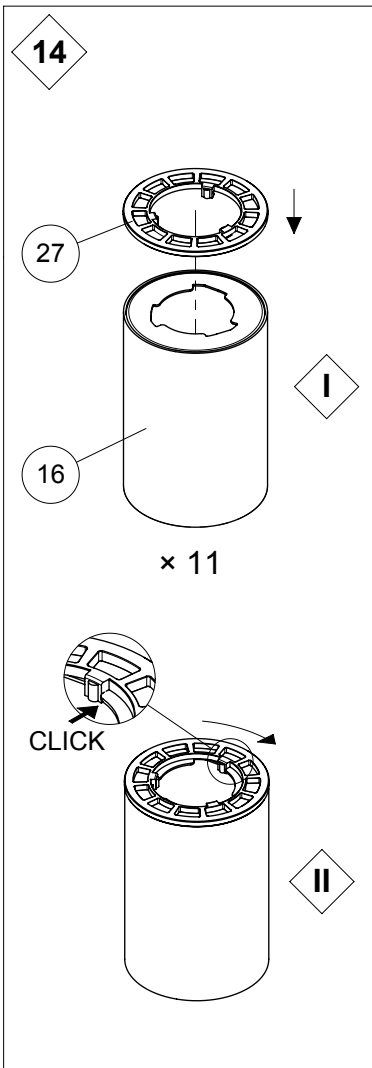
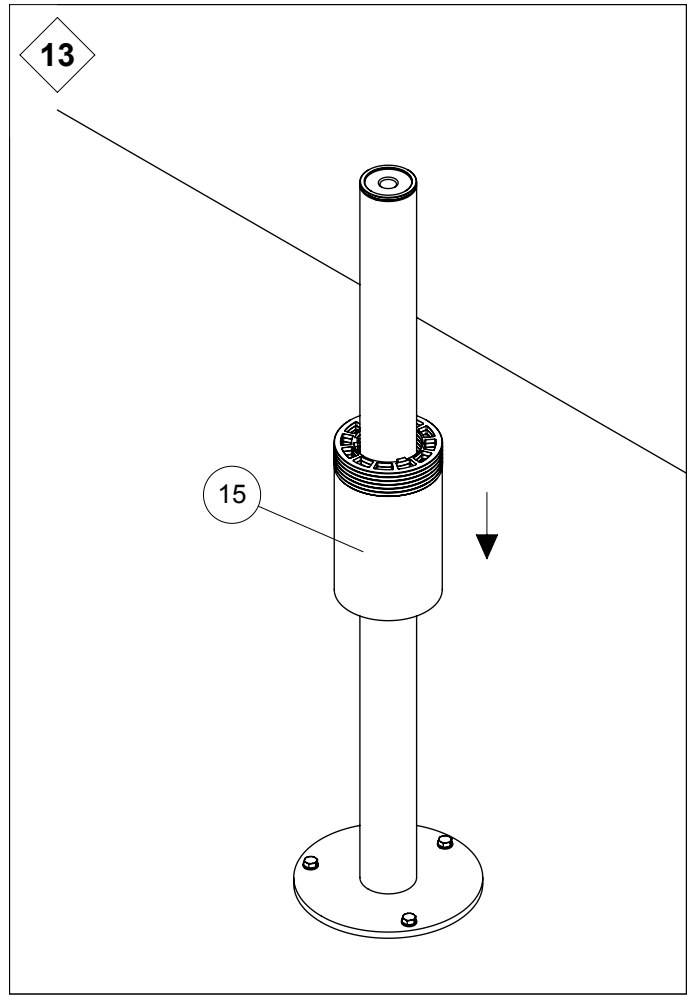
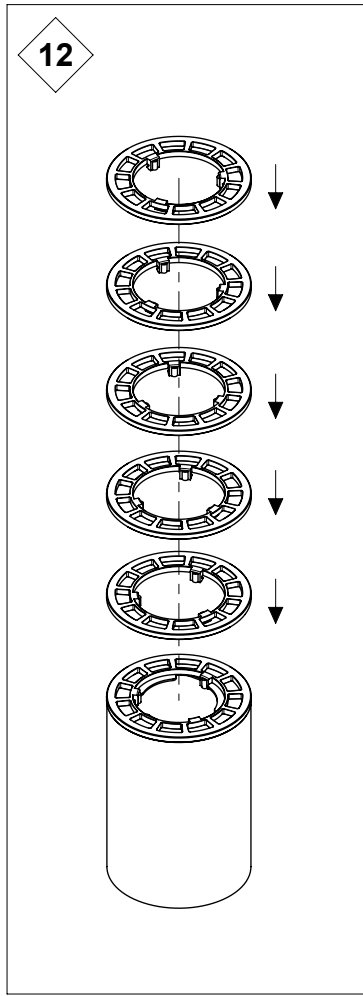
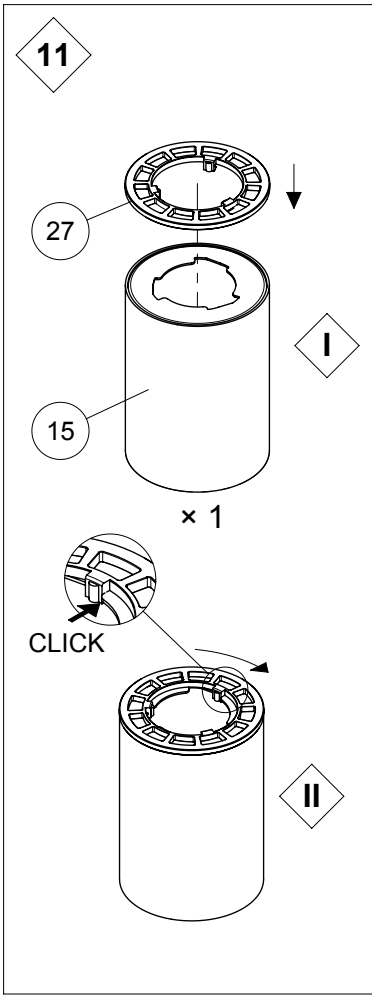




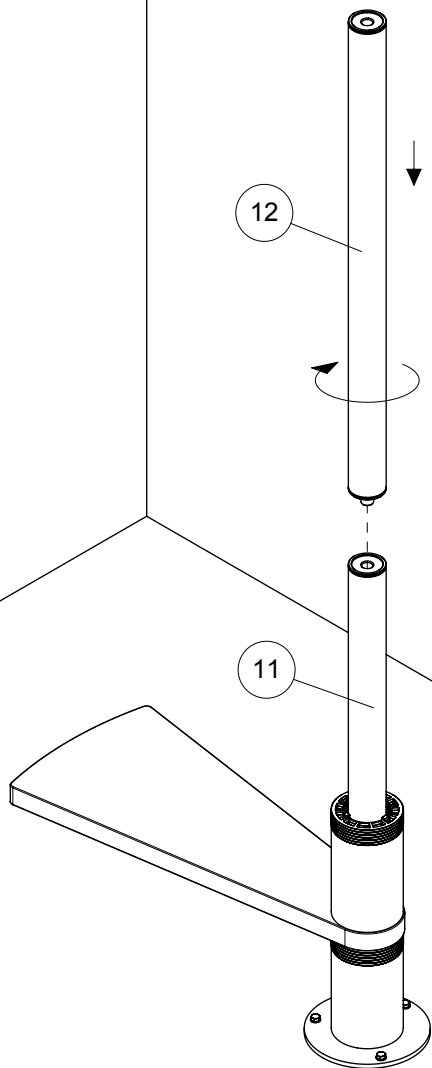




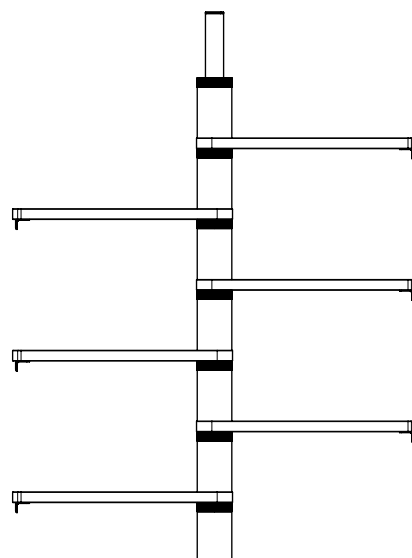
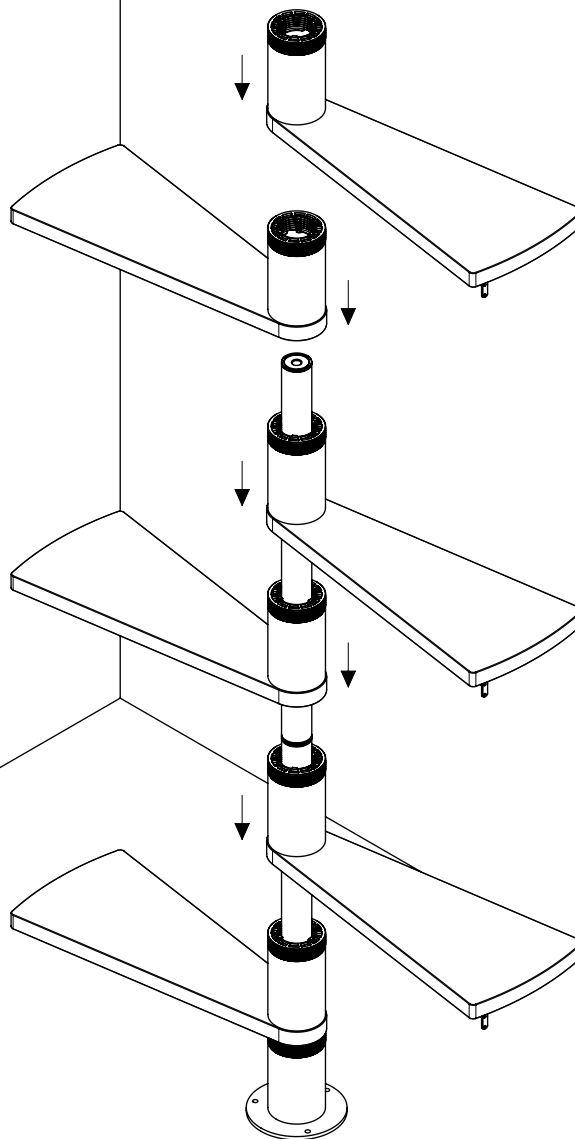


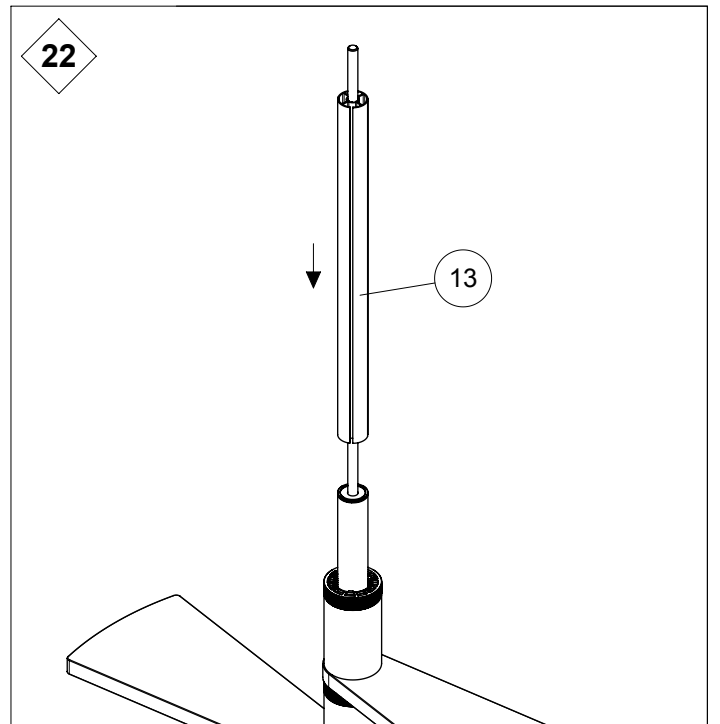
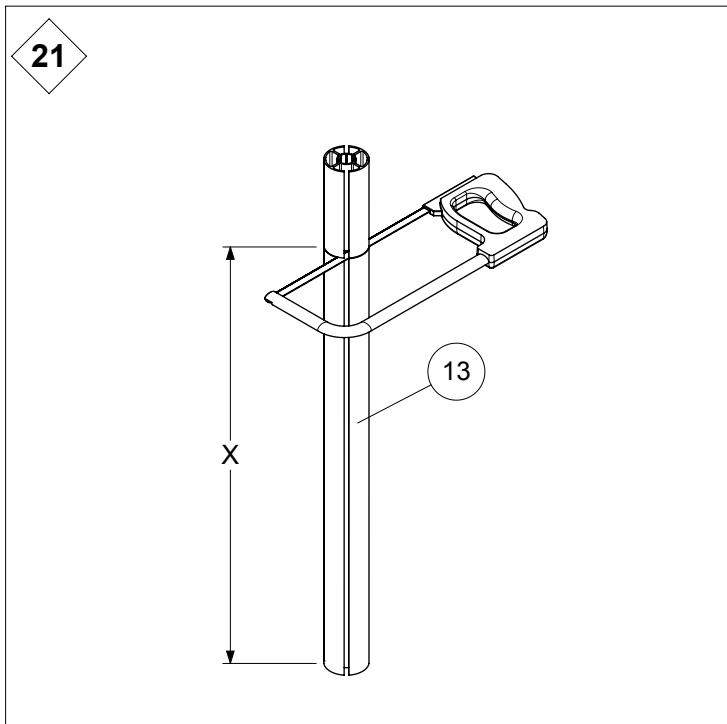
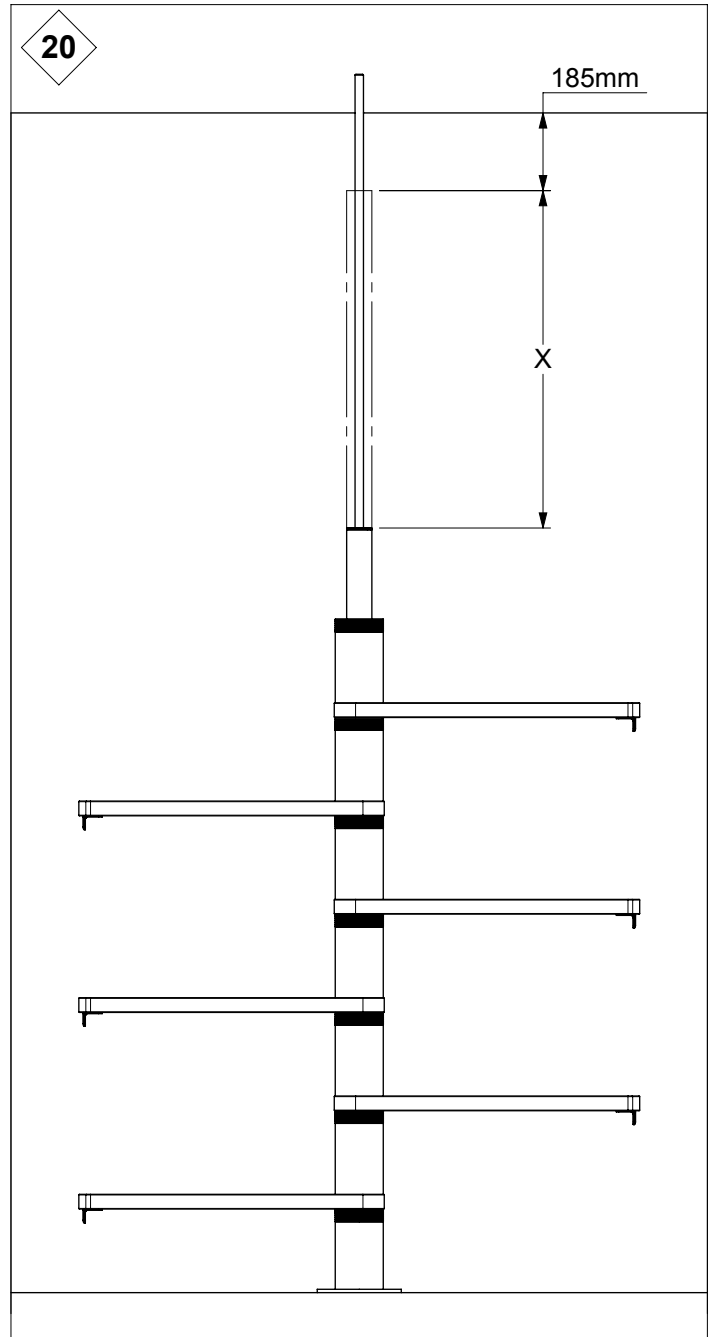
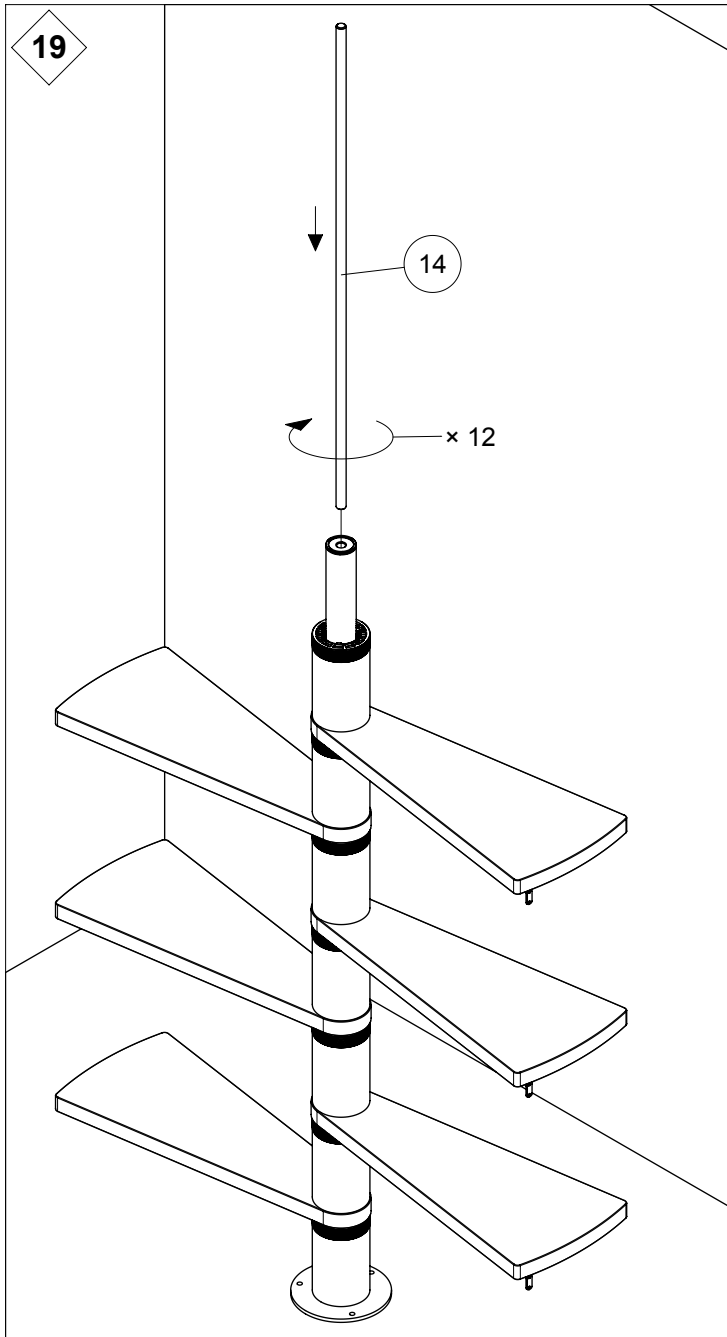


17

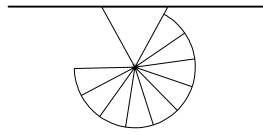
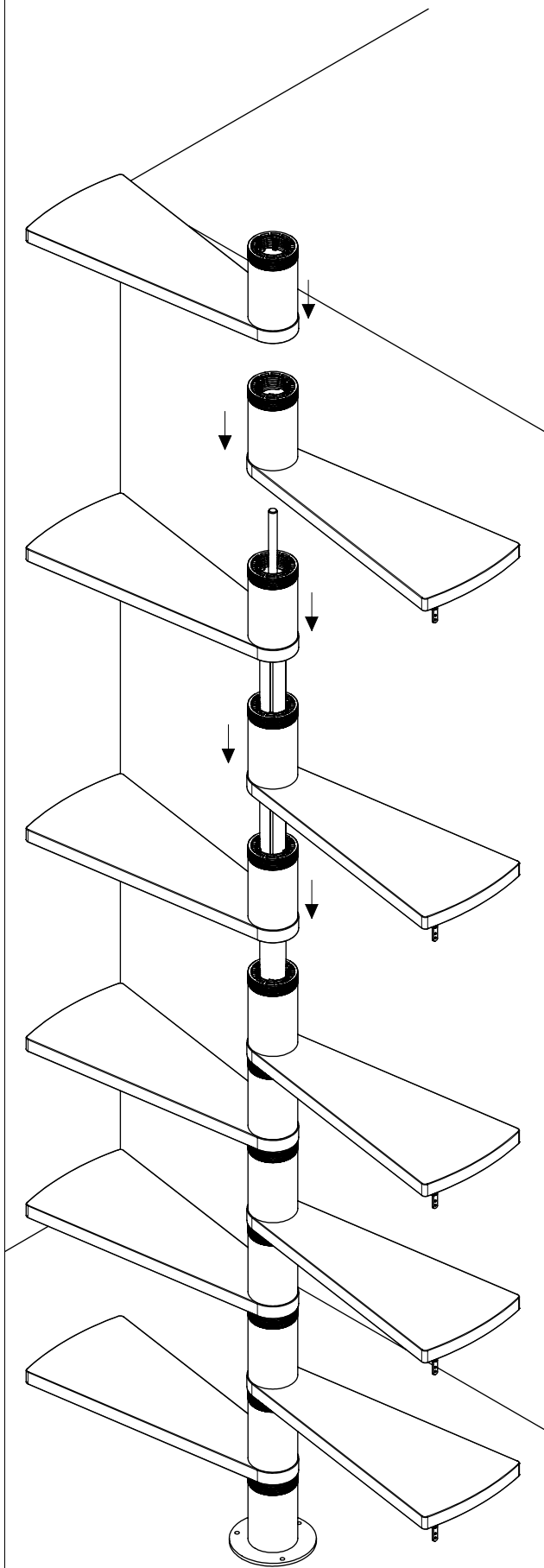


18

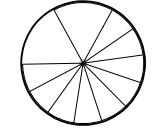
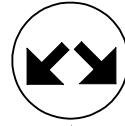




23

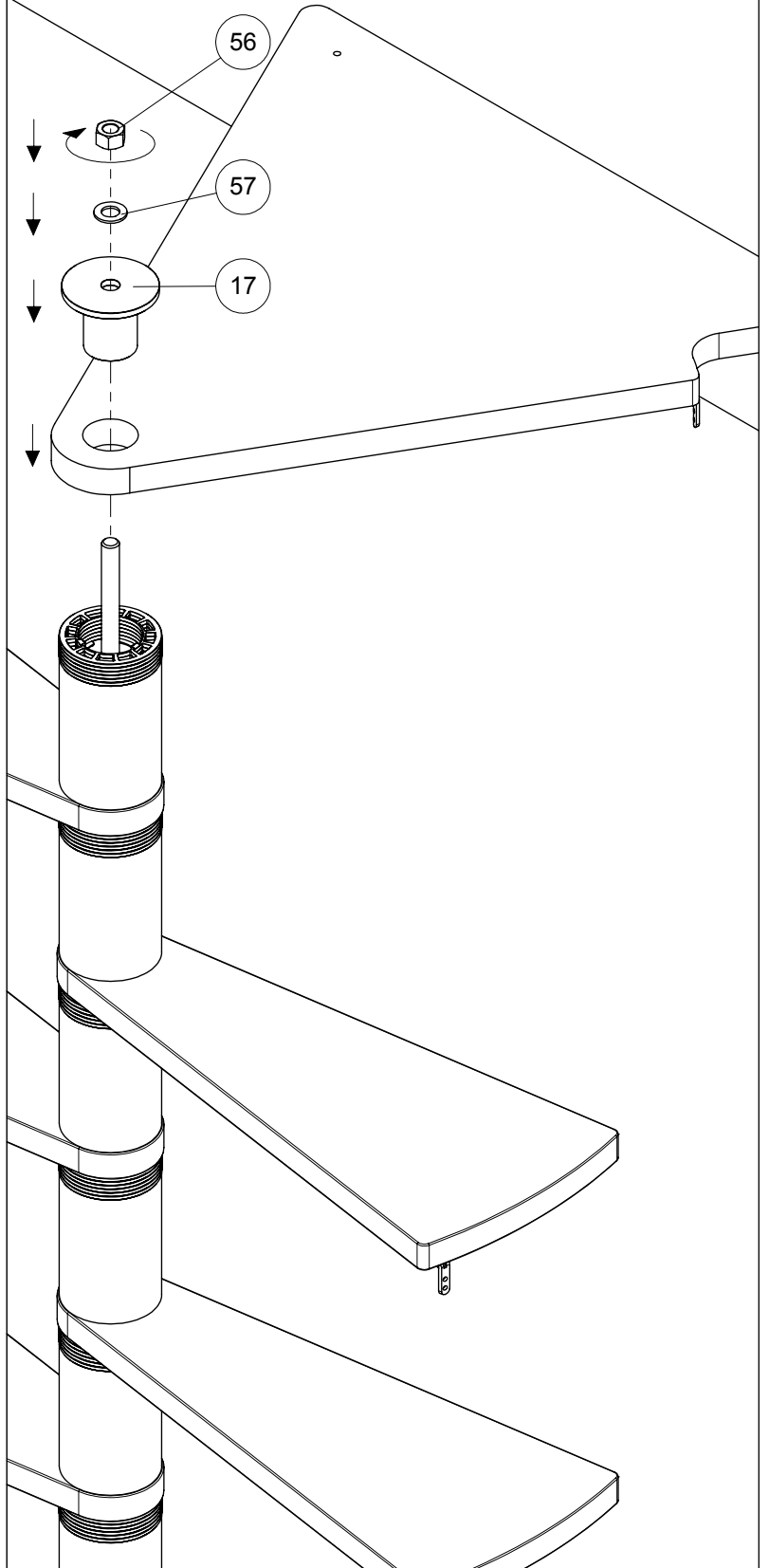


24 - 28

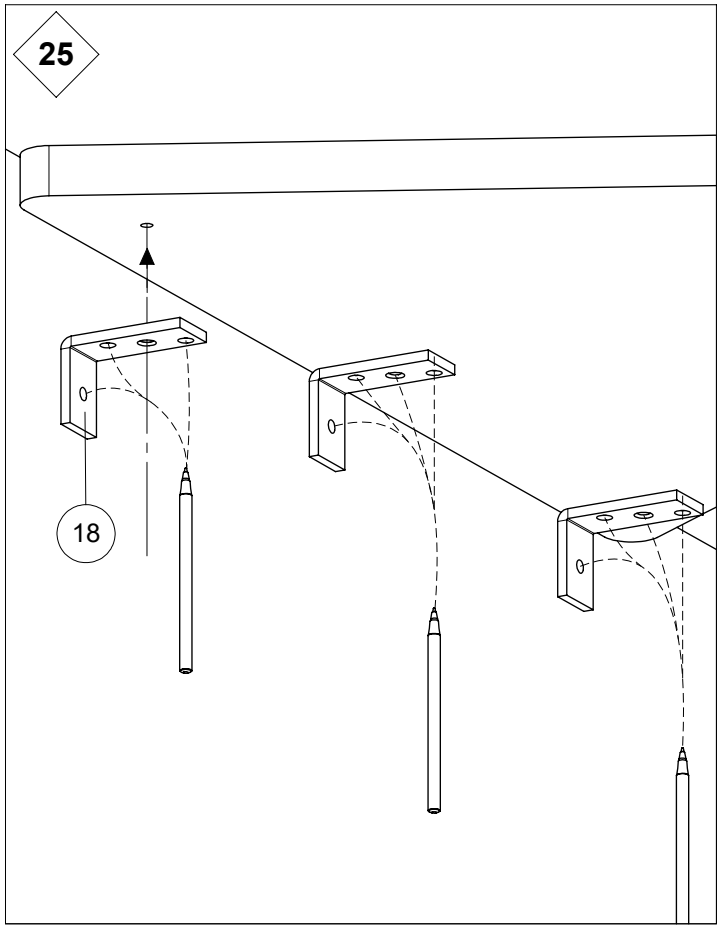


29 - 37

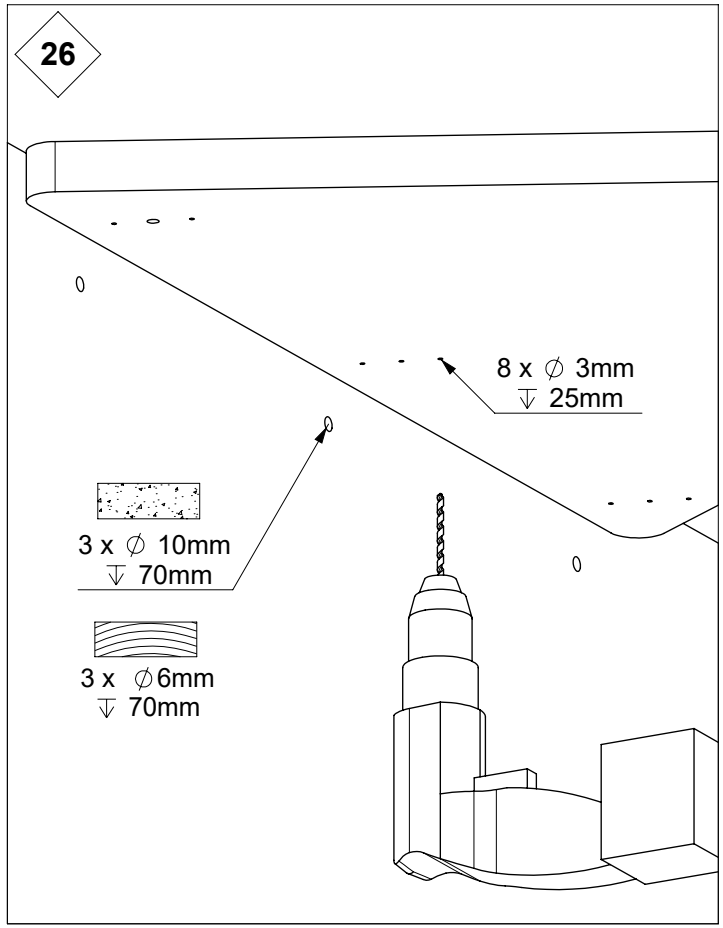
24



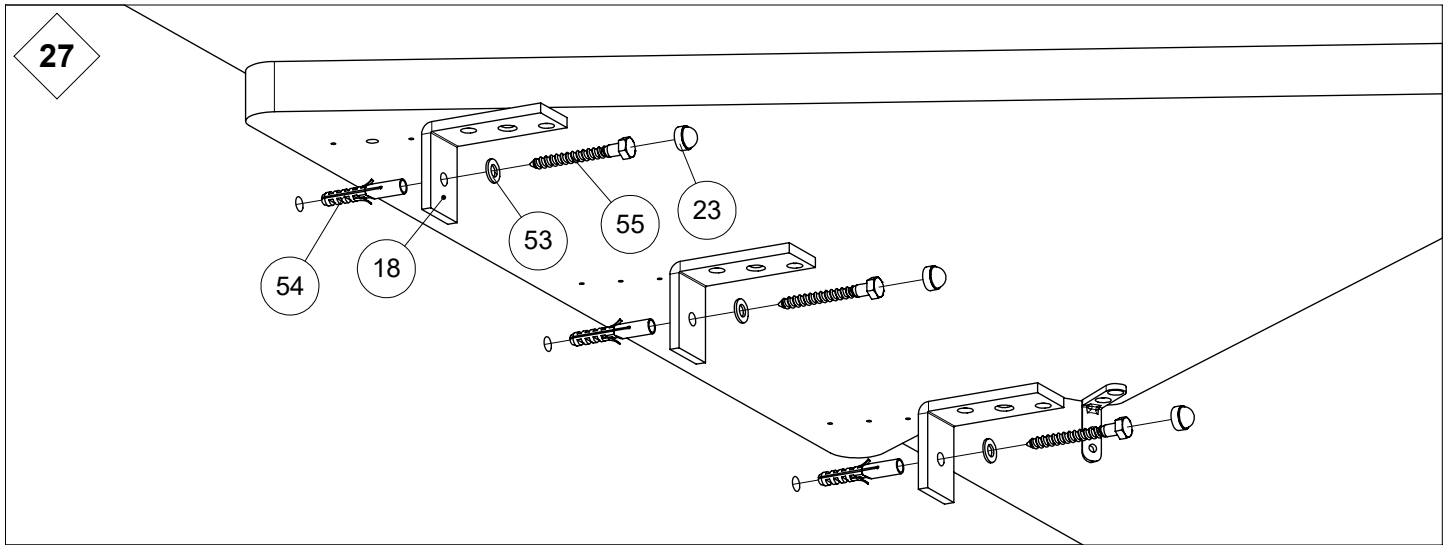
25



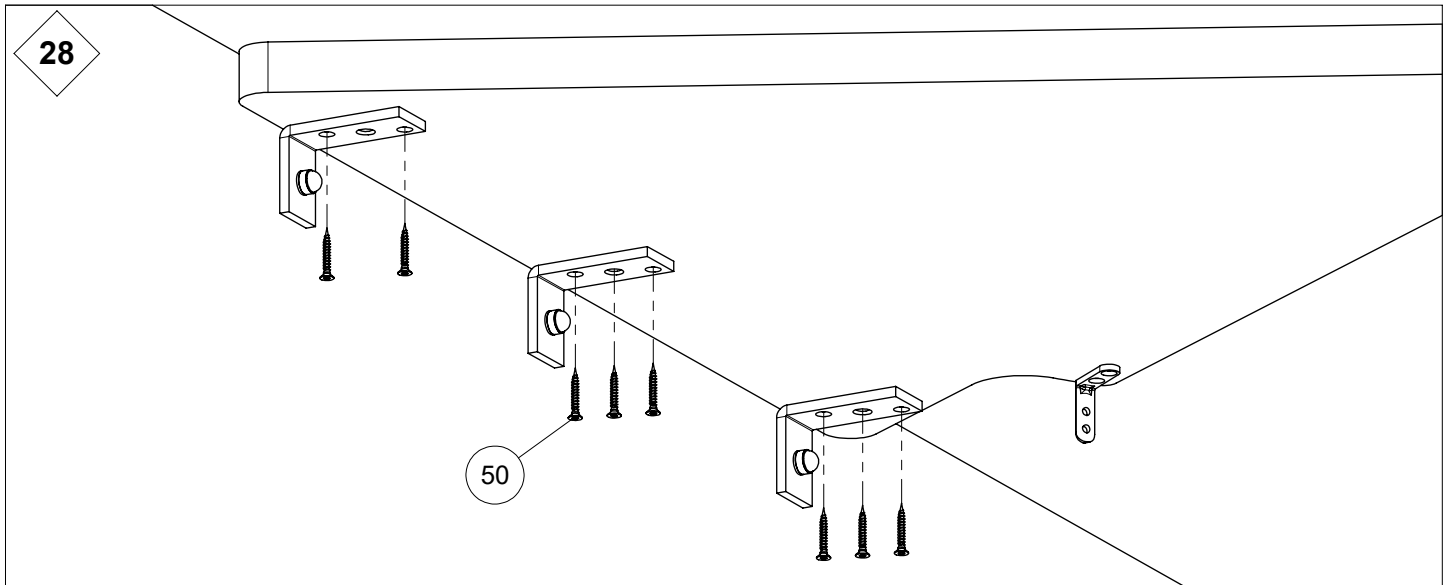
26

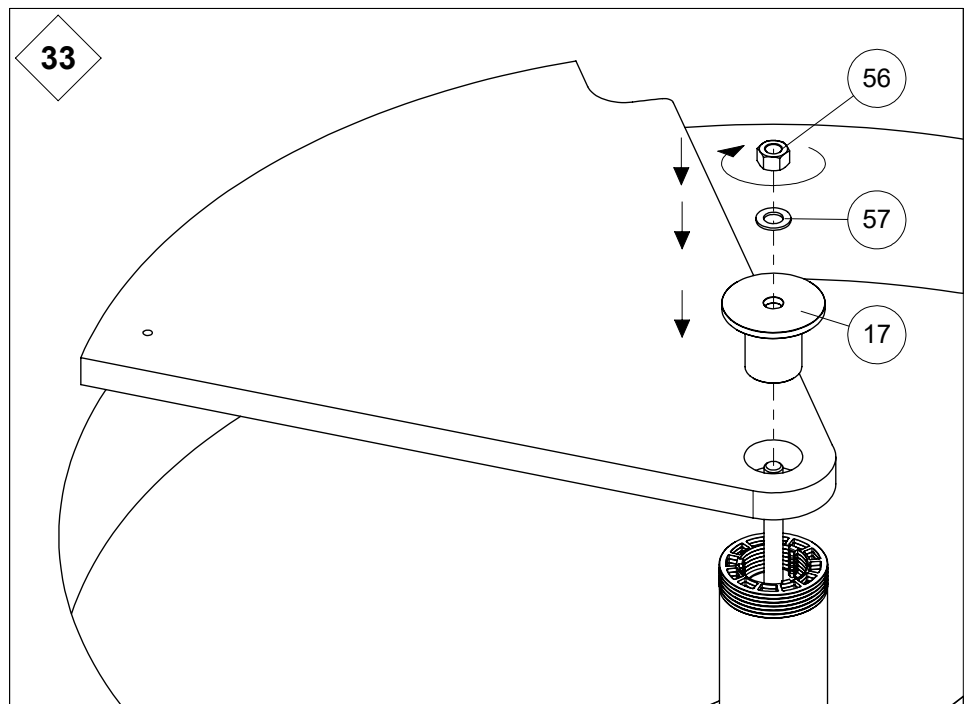
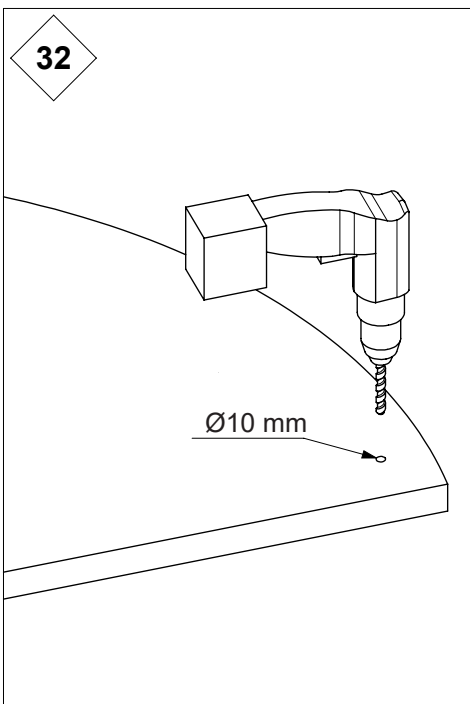
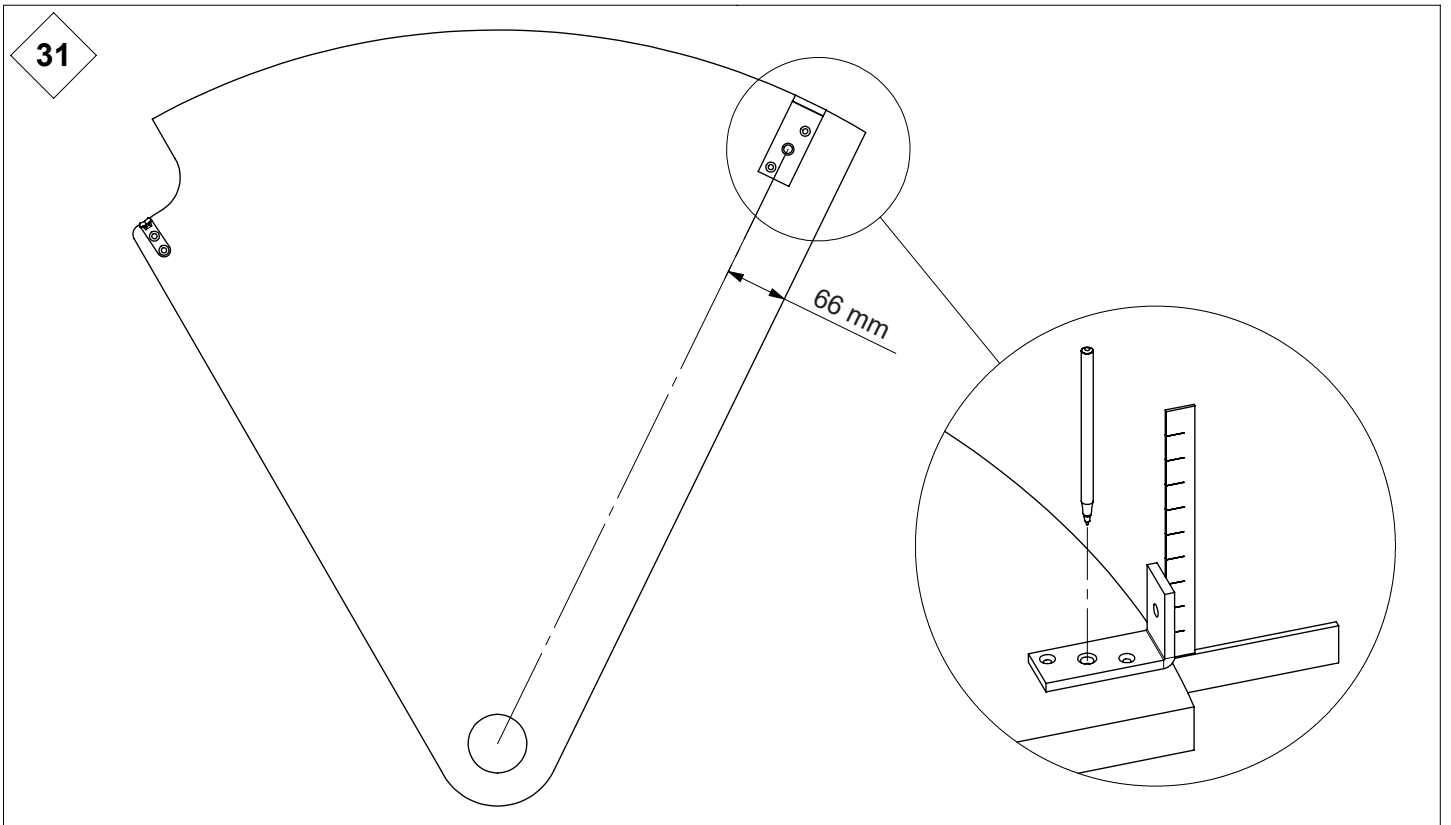
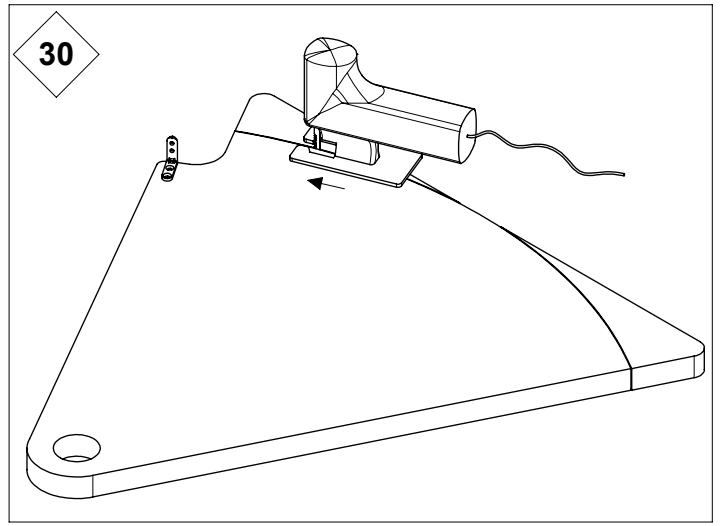
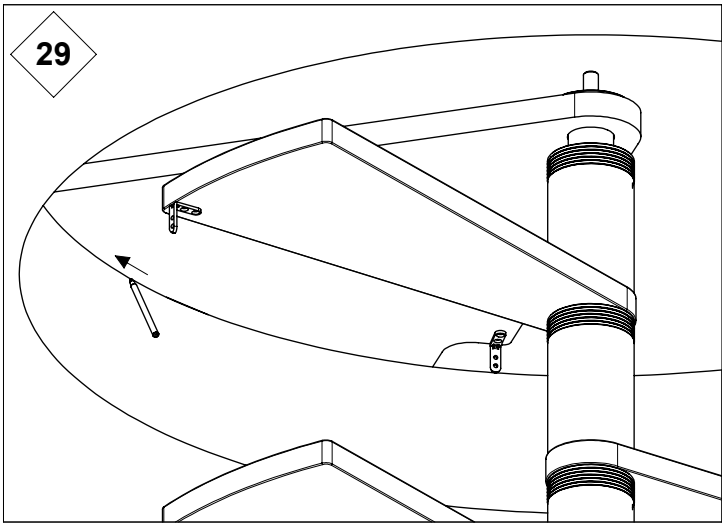


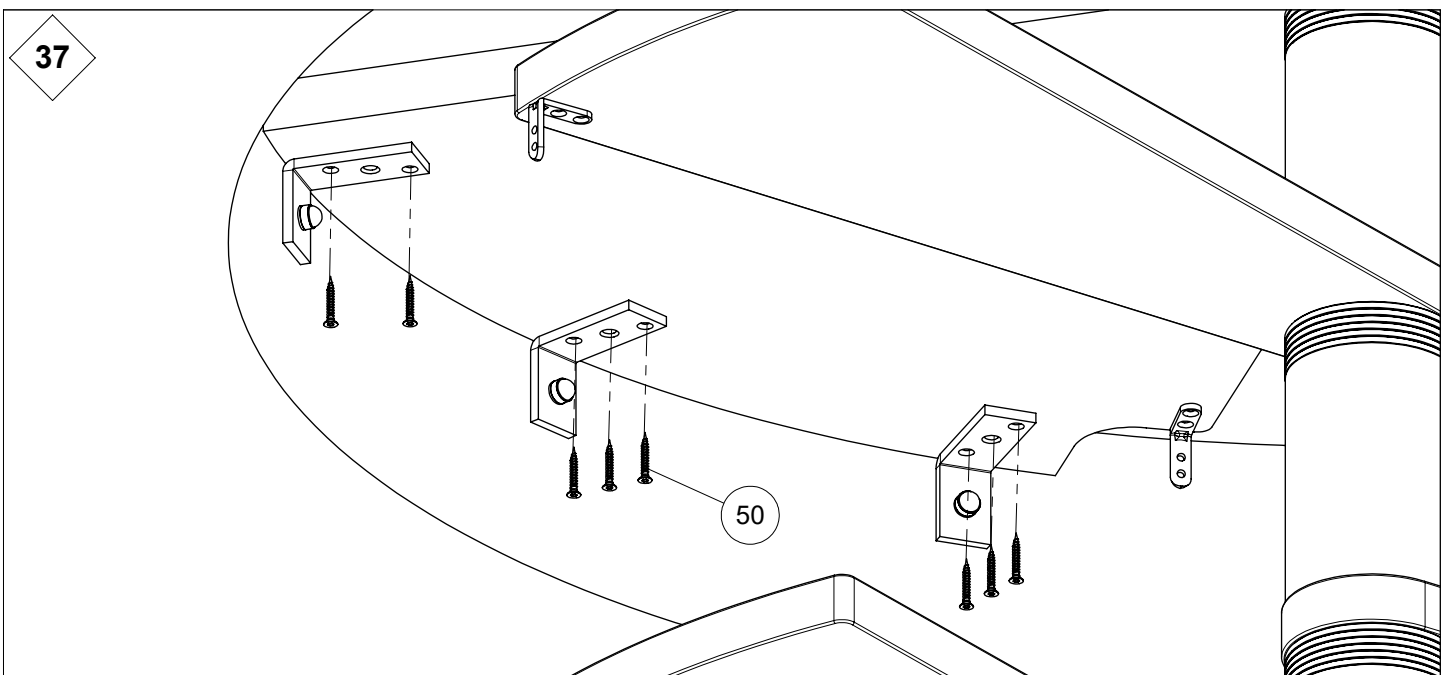
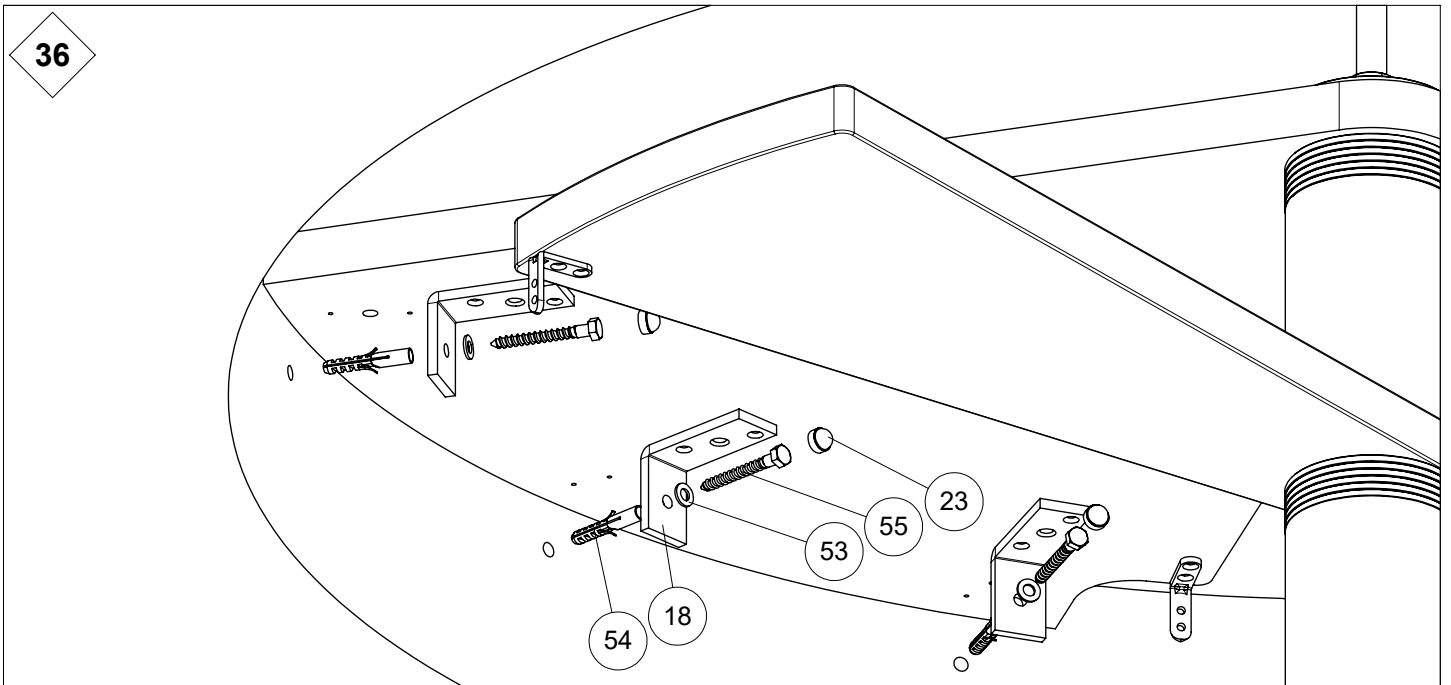
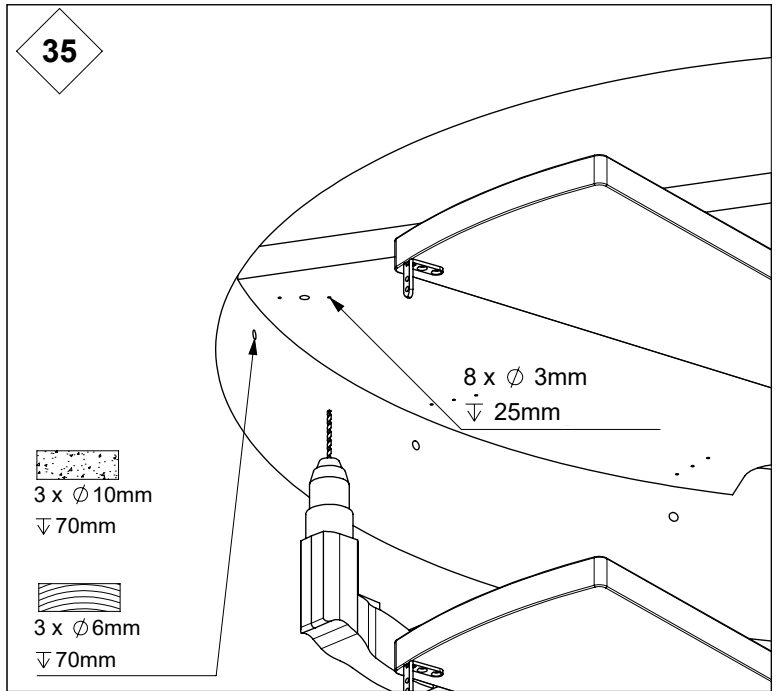
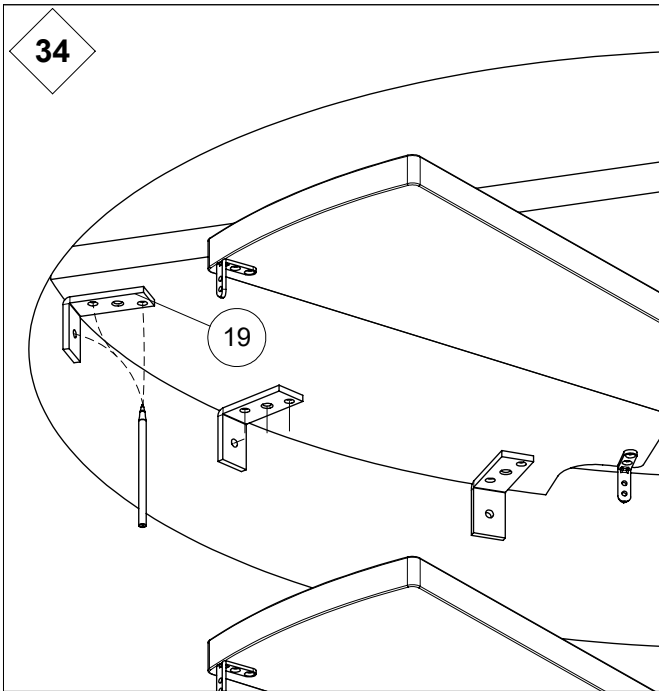
27

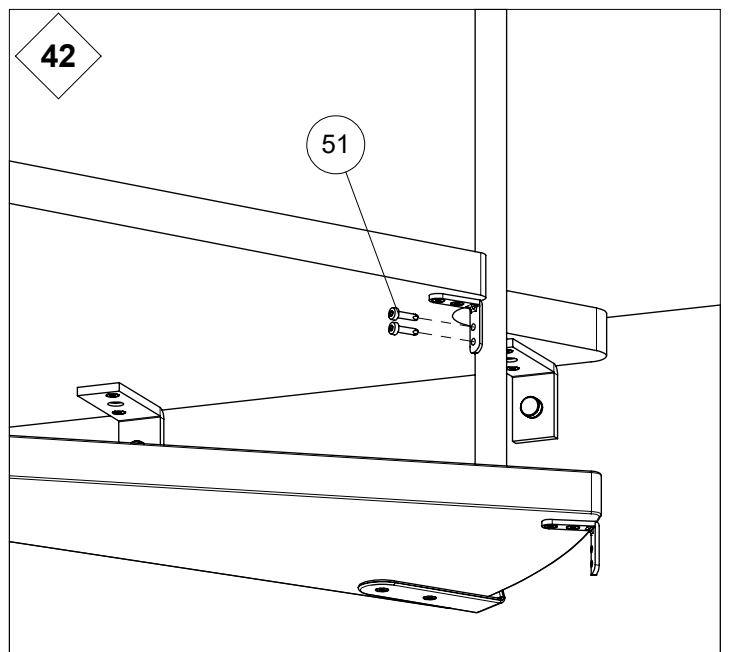
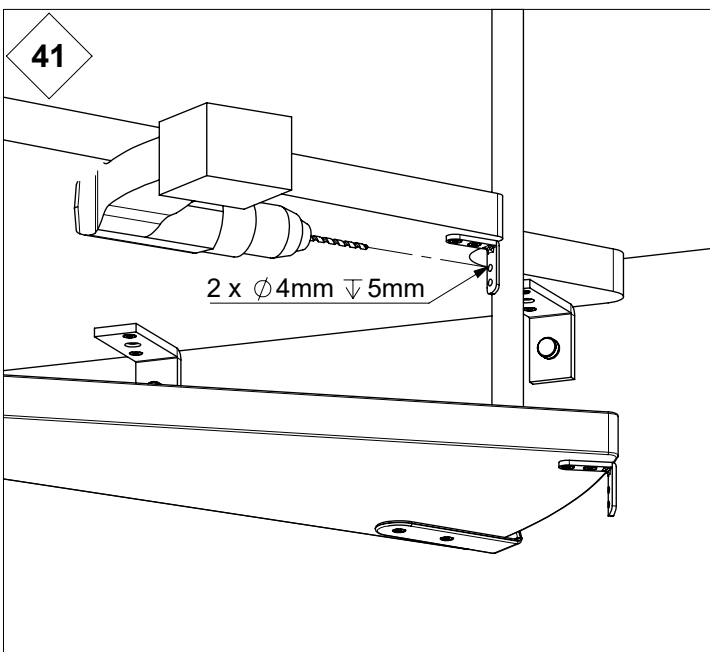
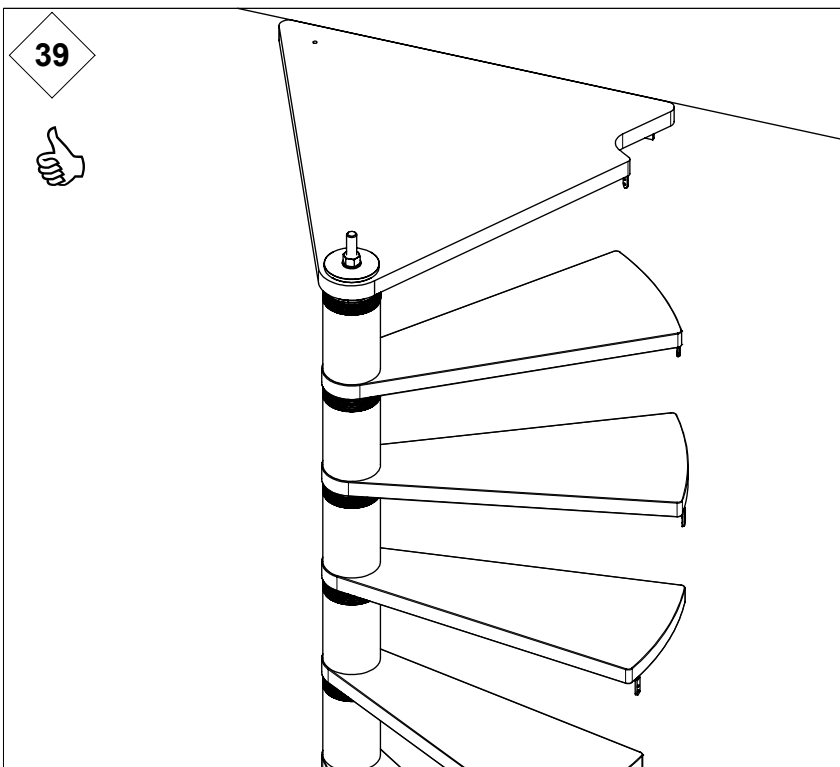
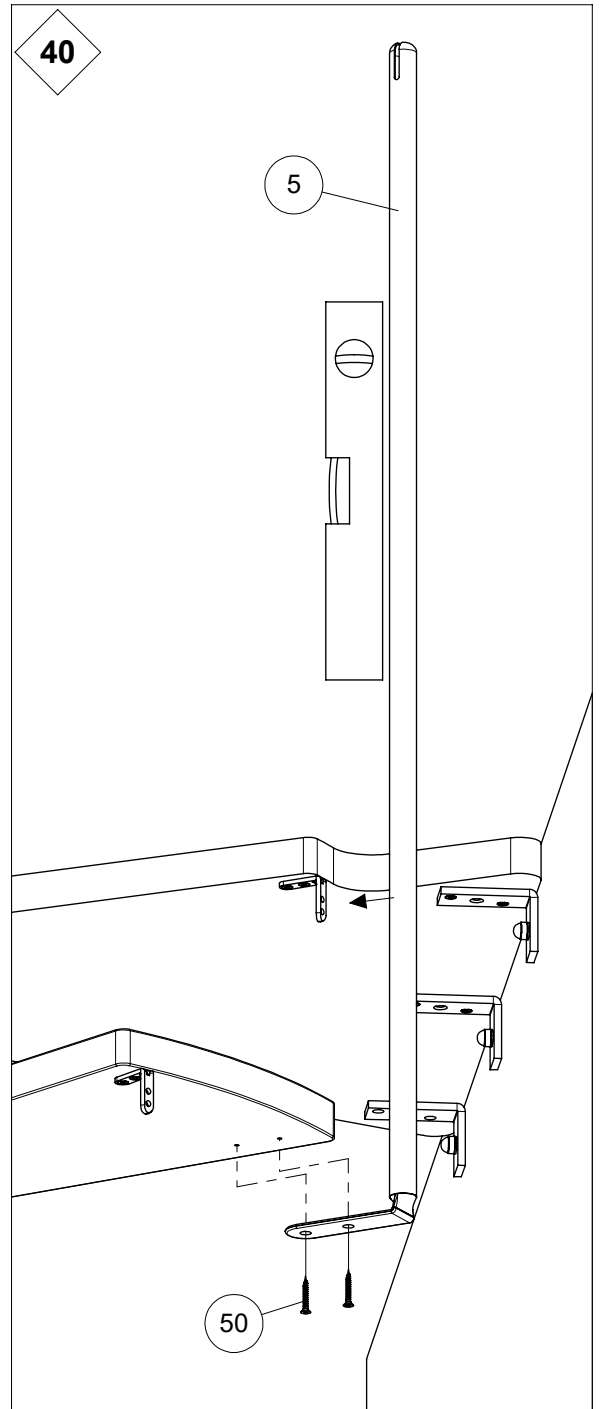
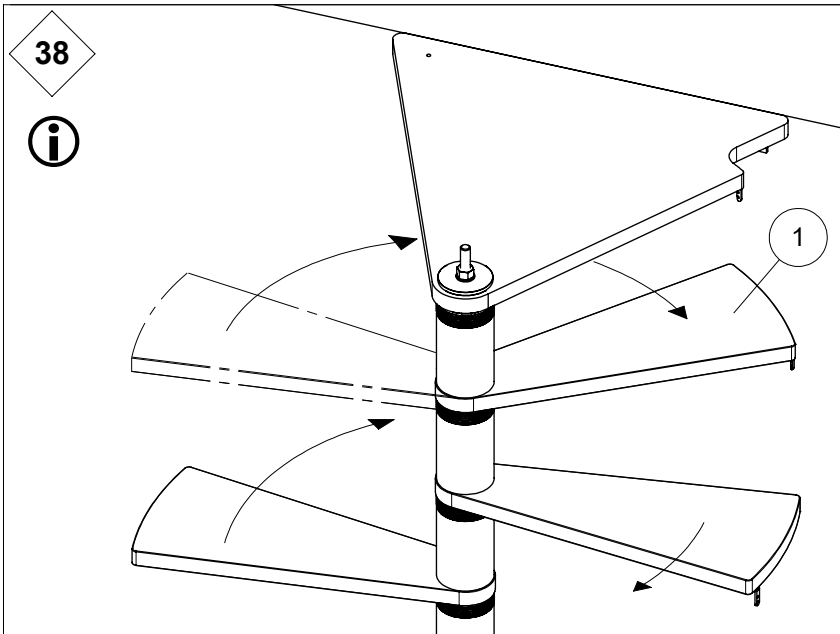


28

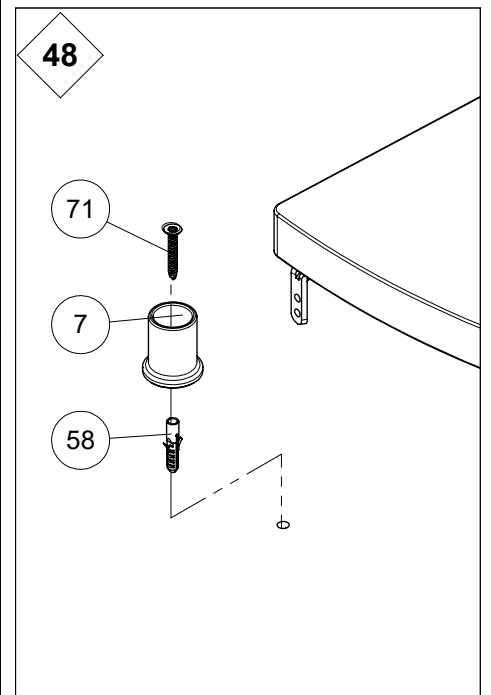
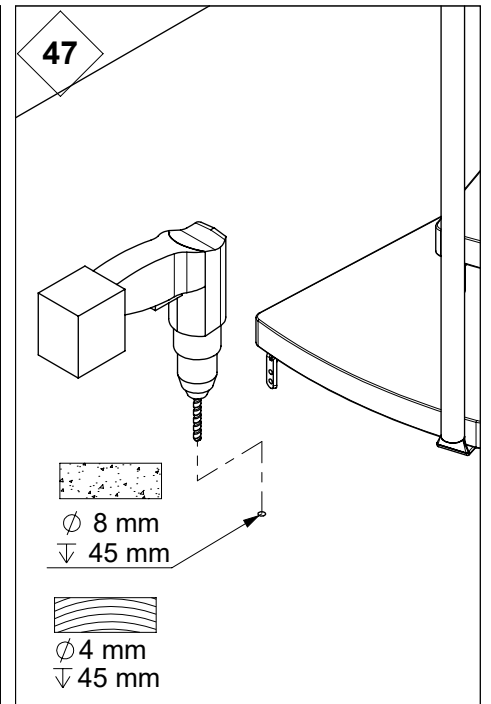
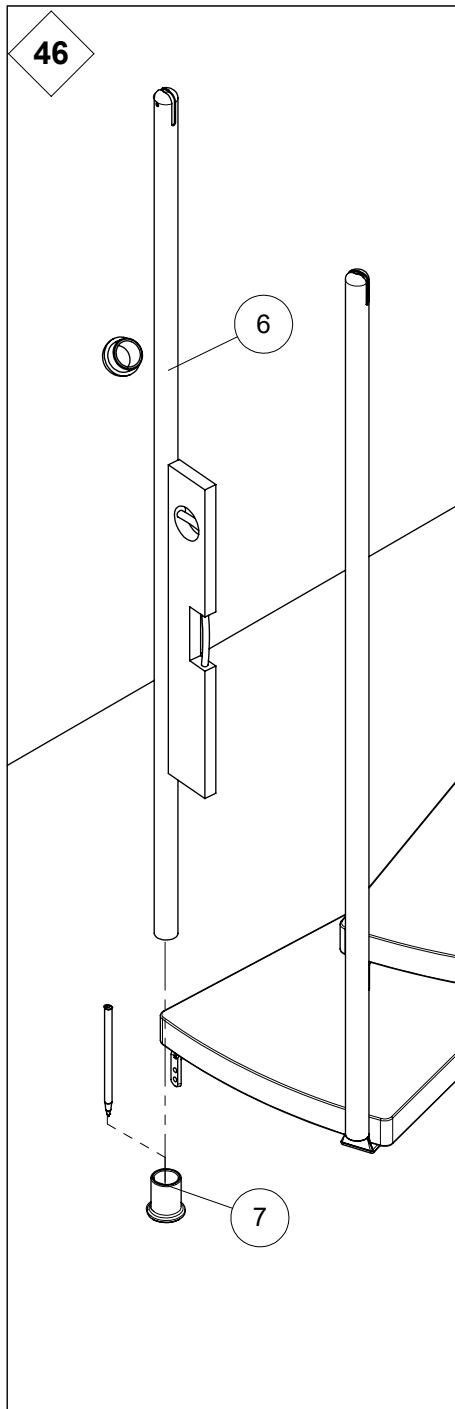
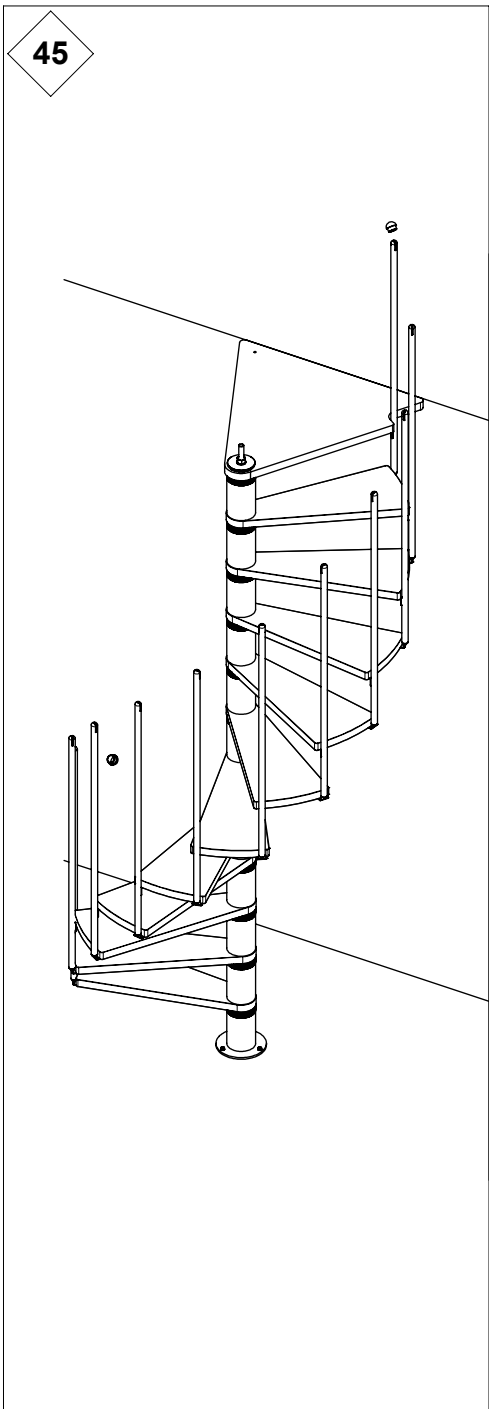
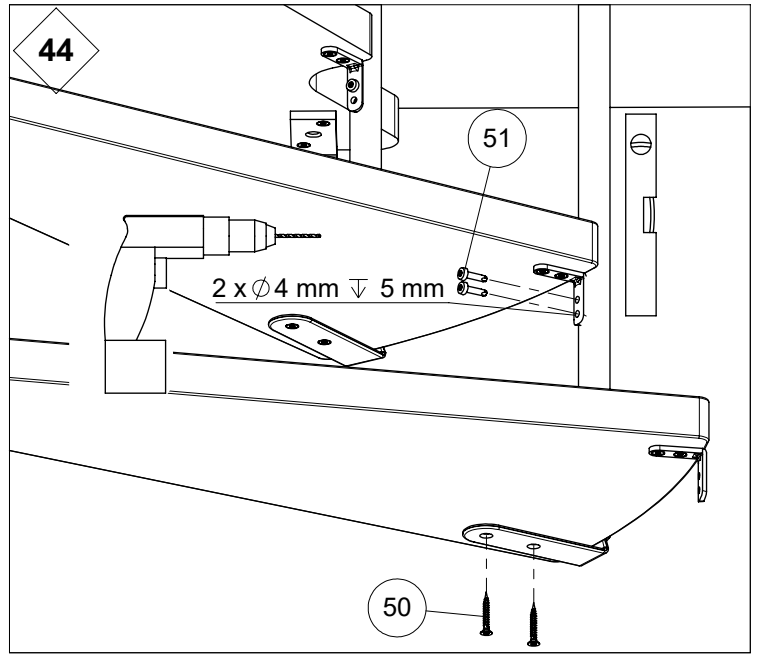
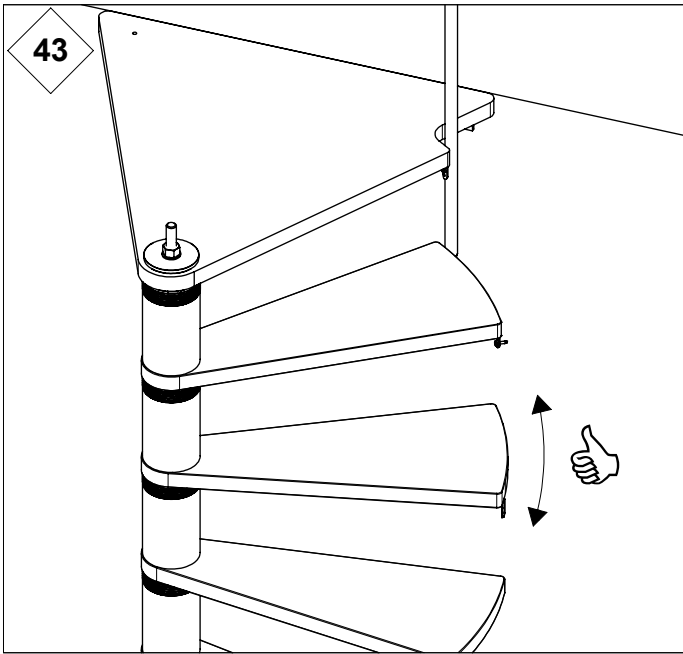


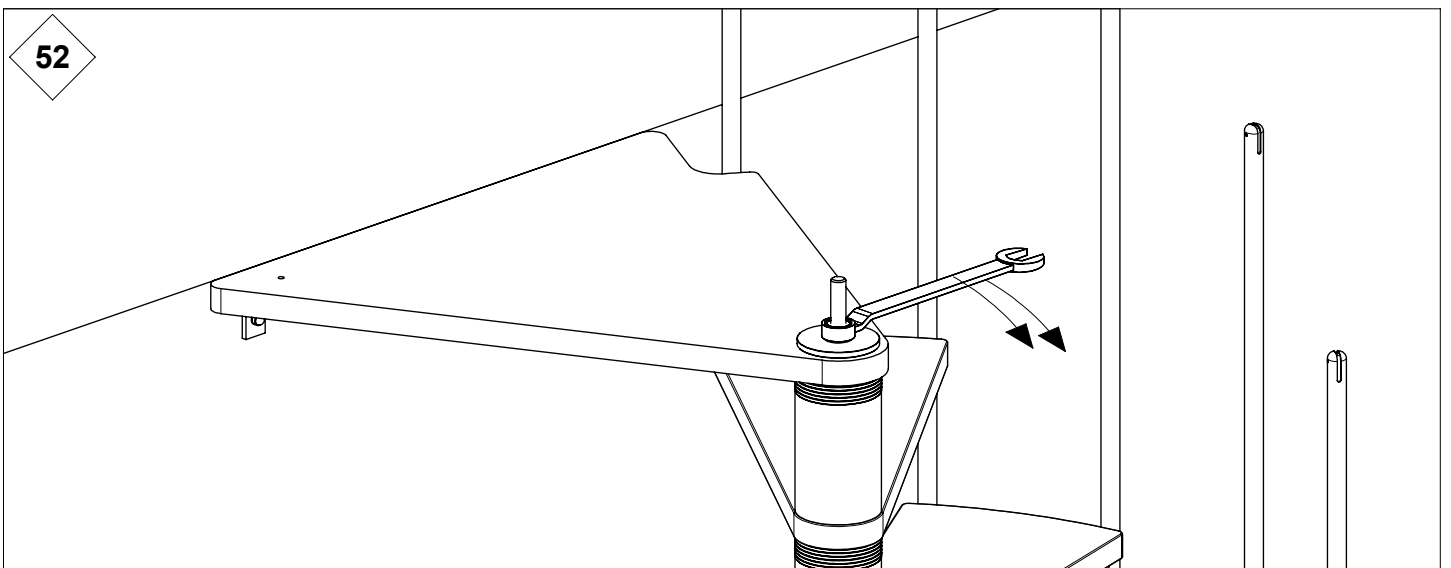
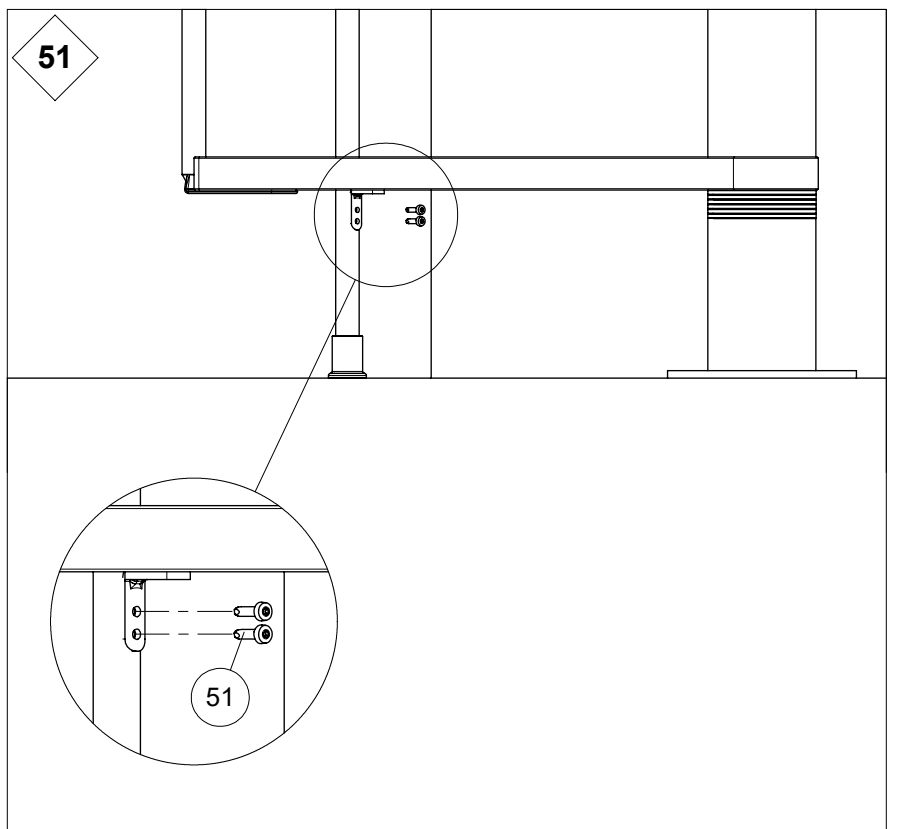
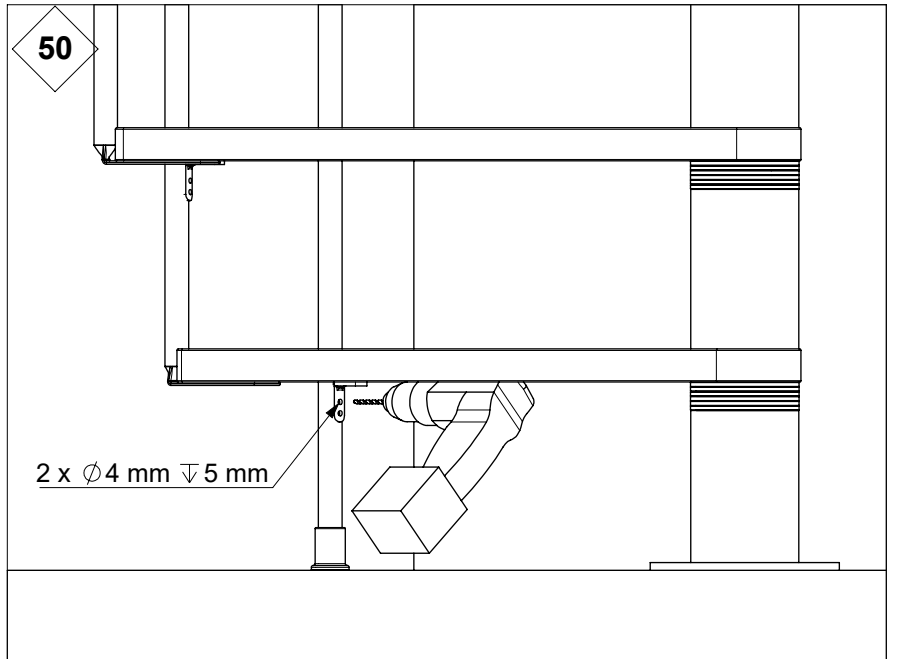
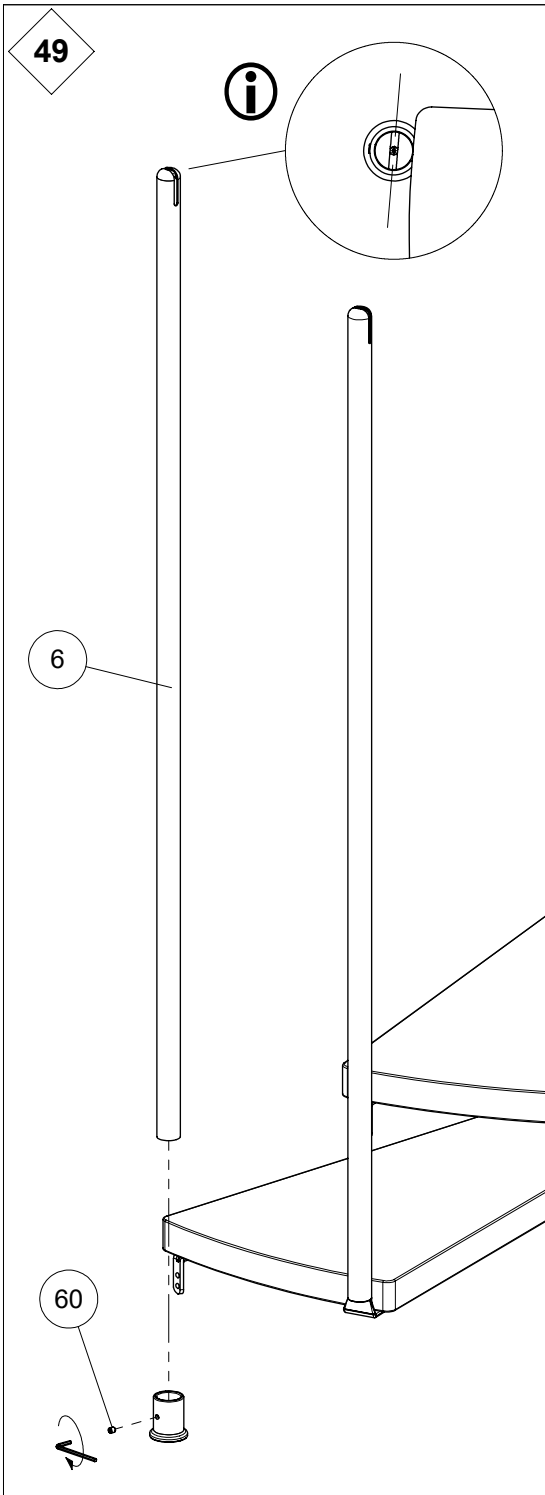


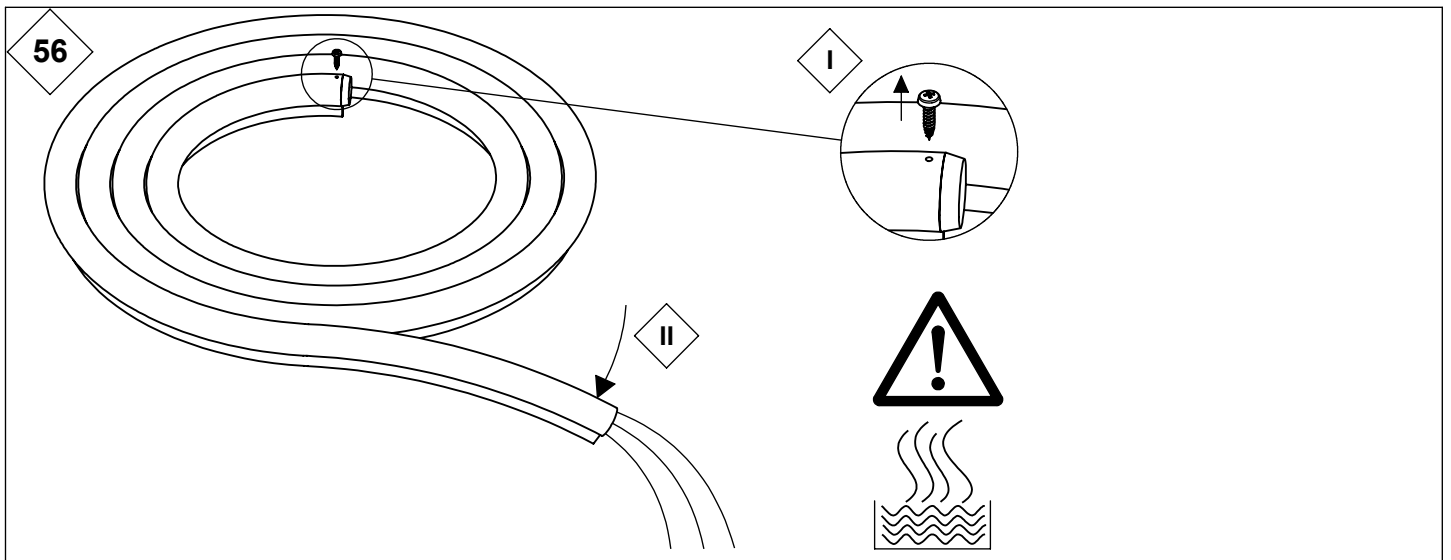
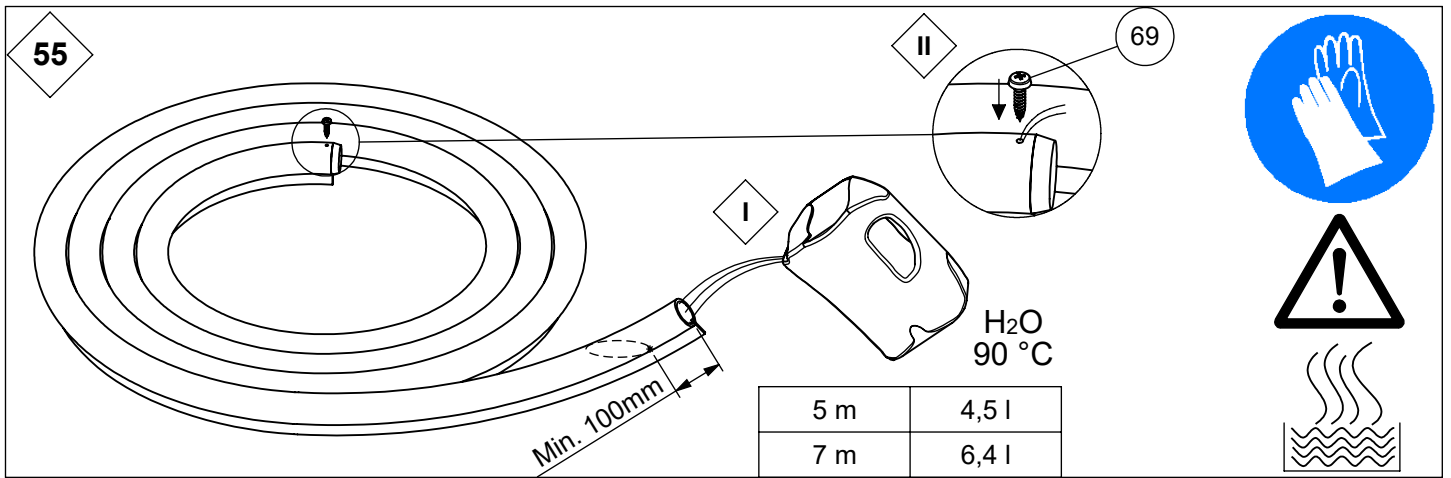
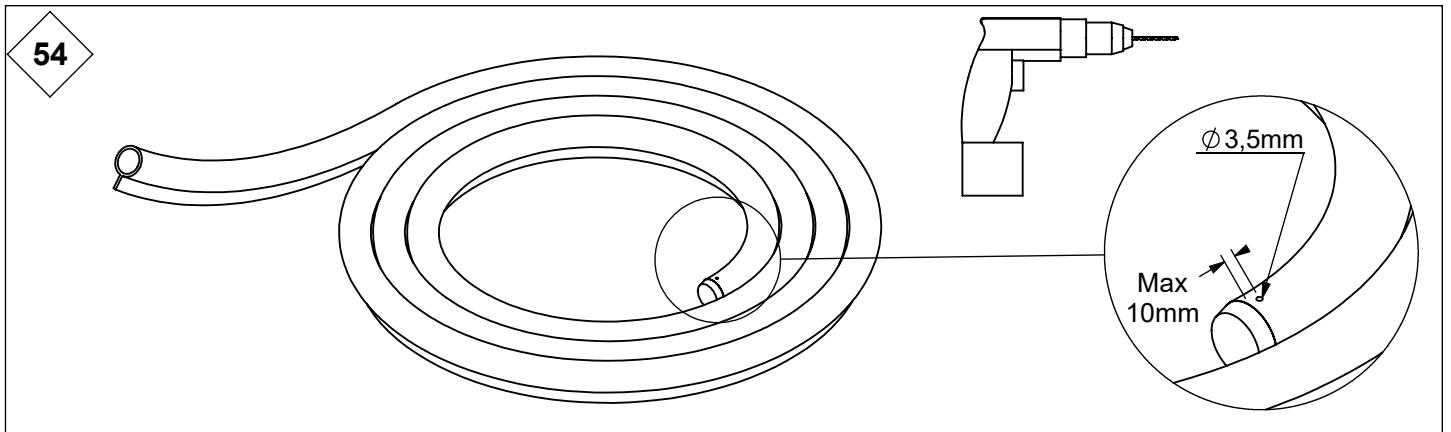
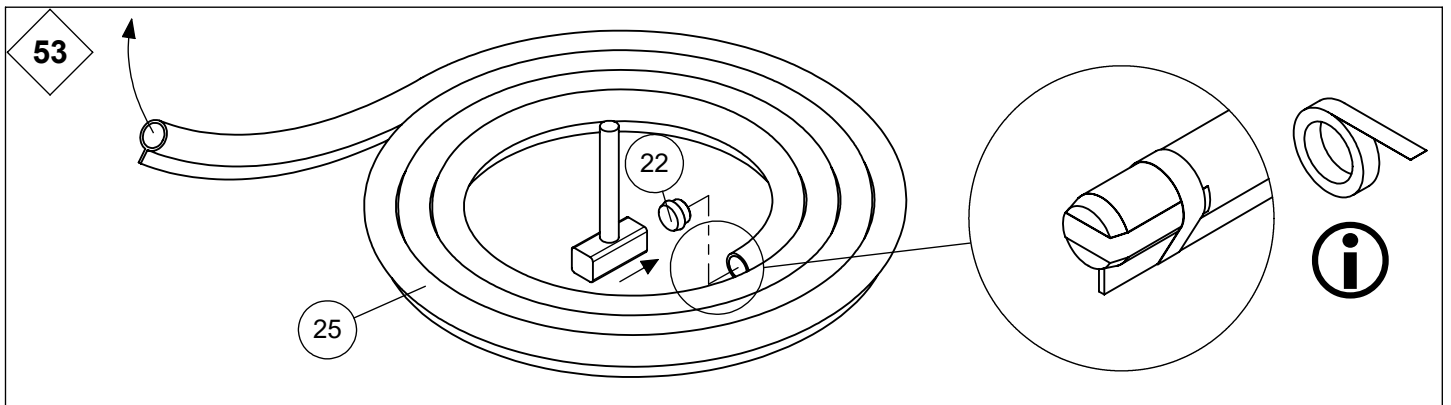
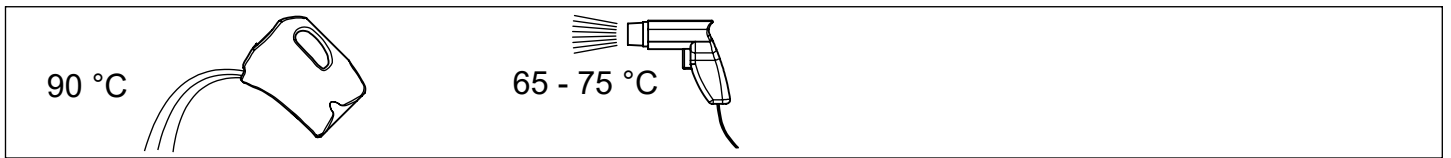


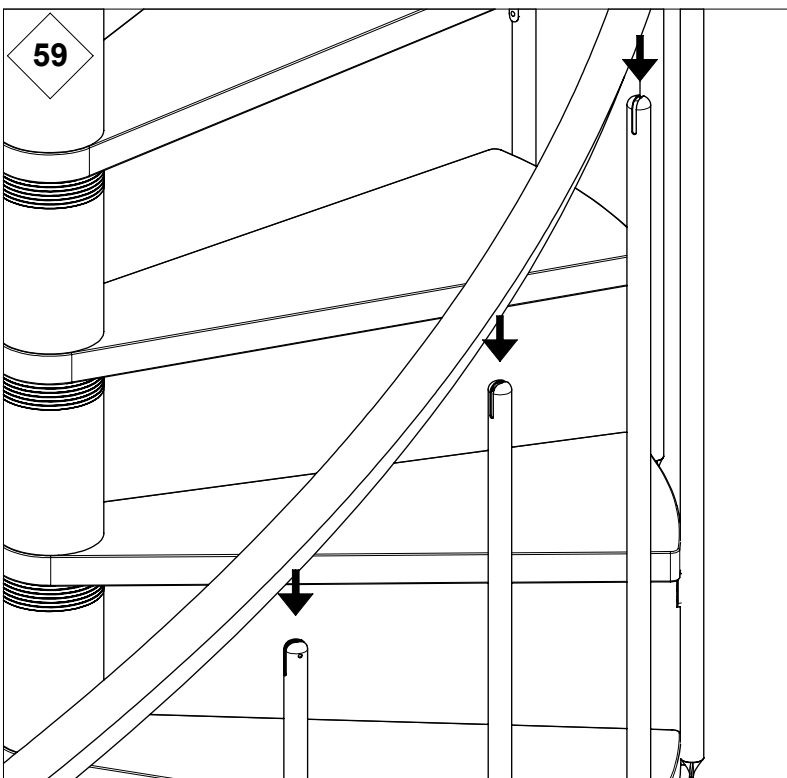
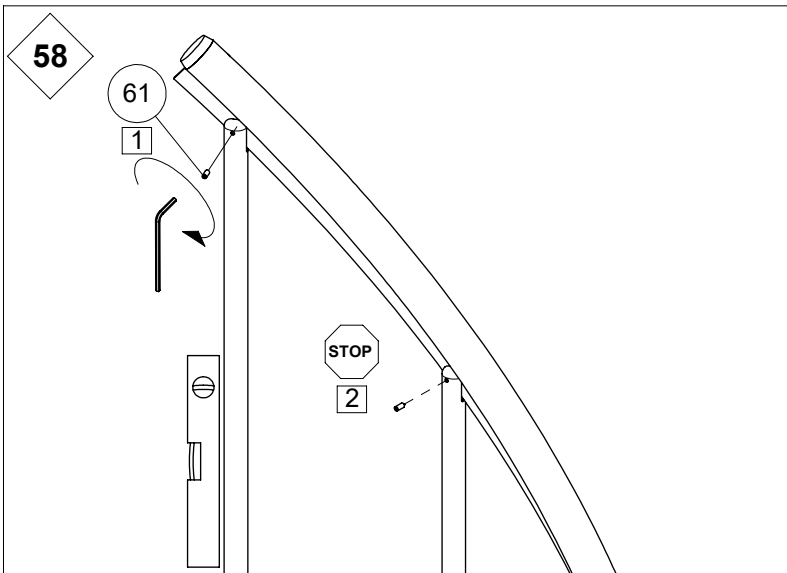
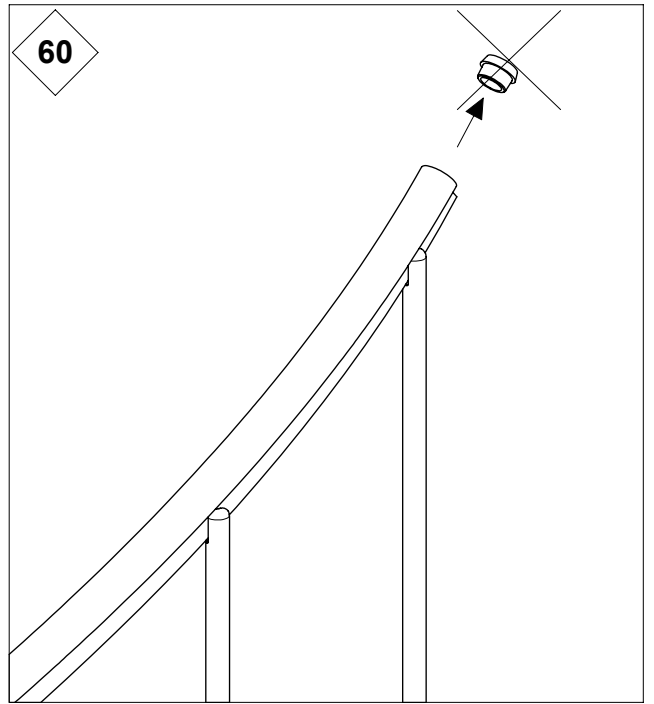
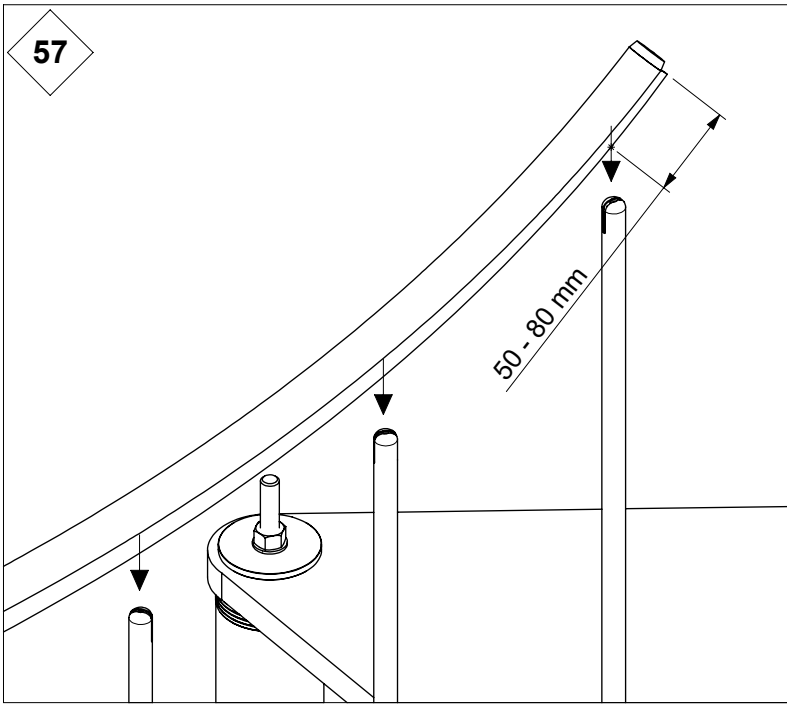




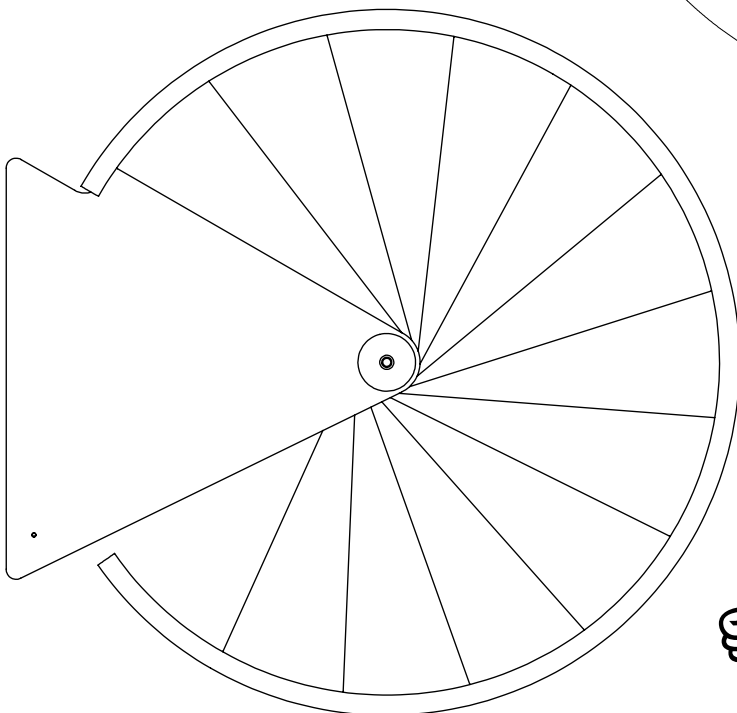
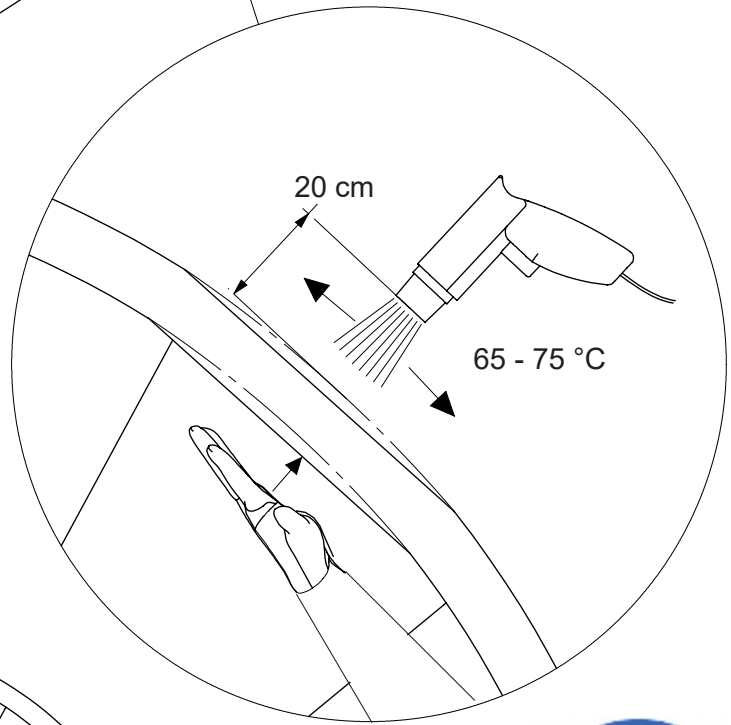
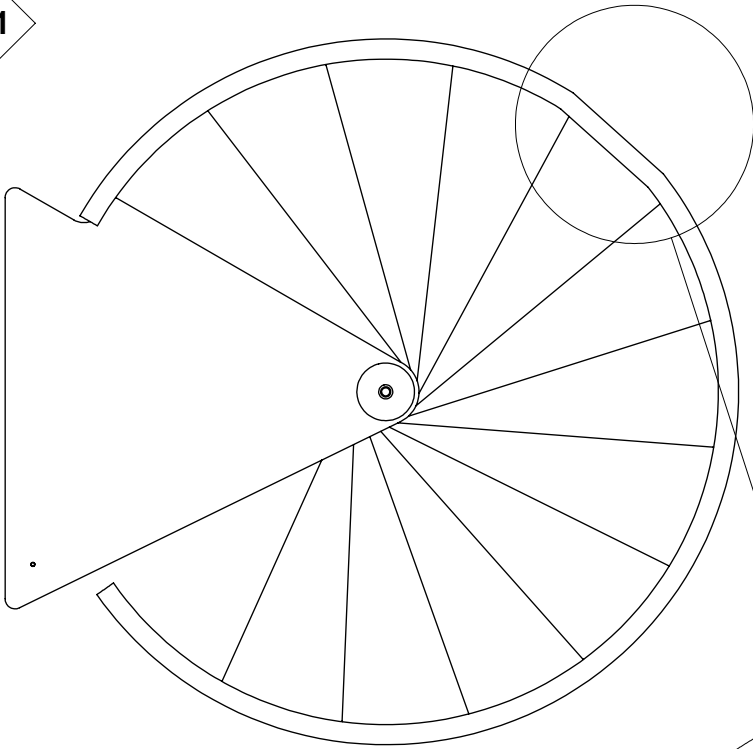


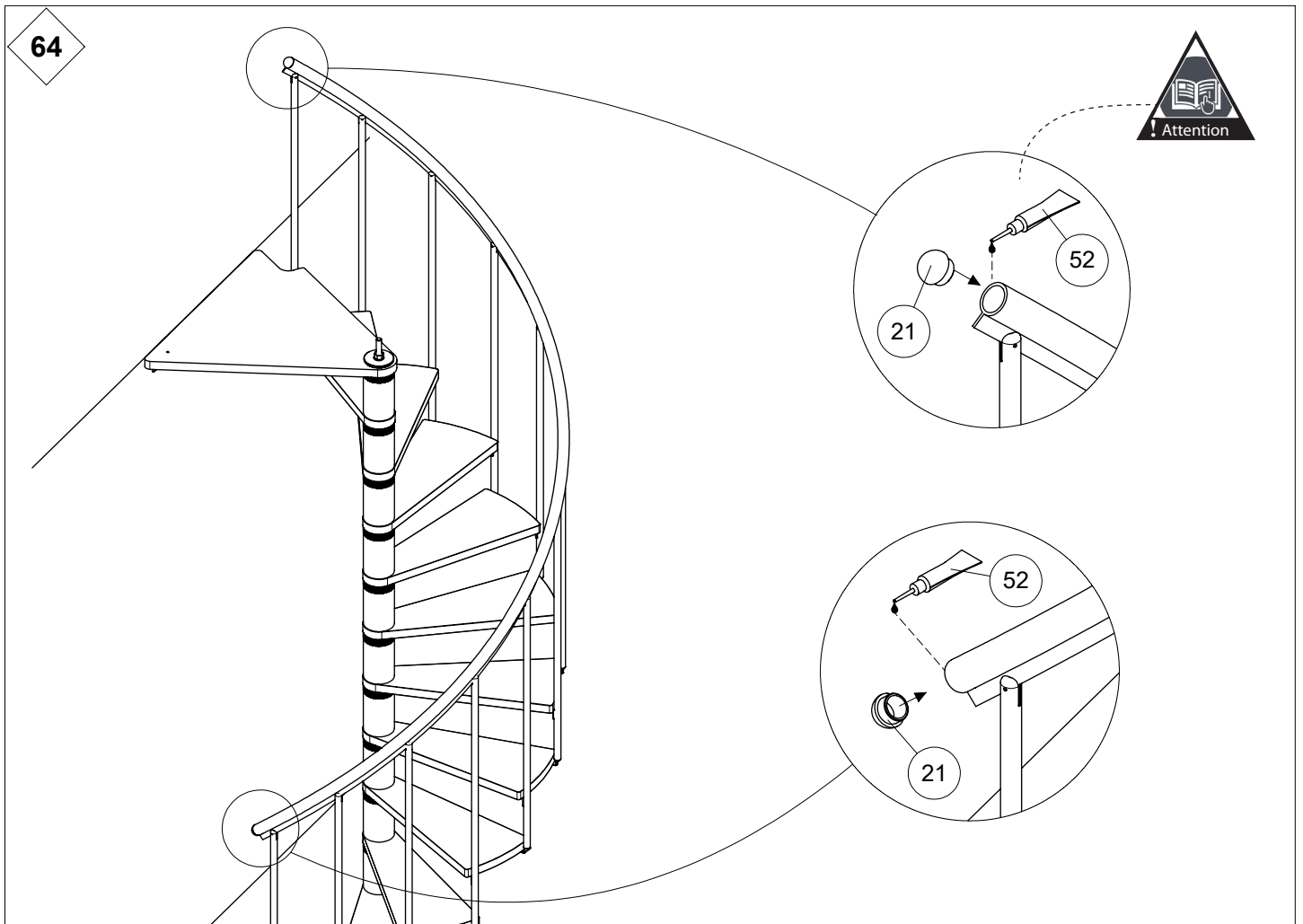
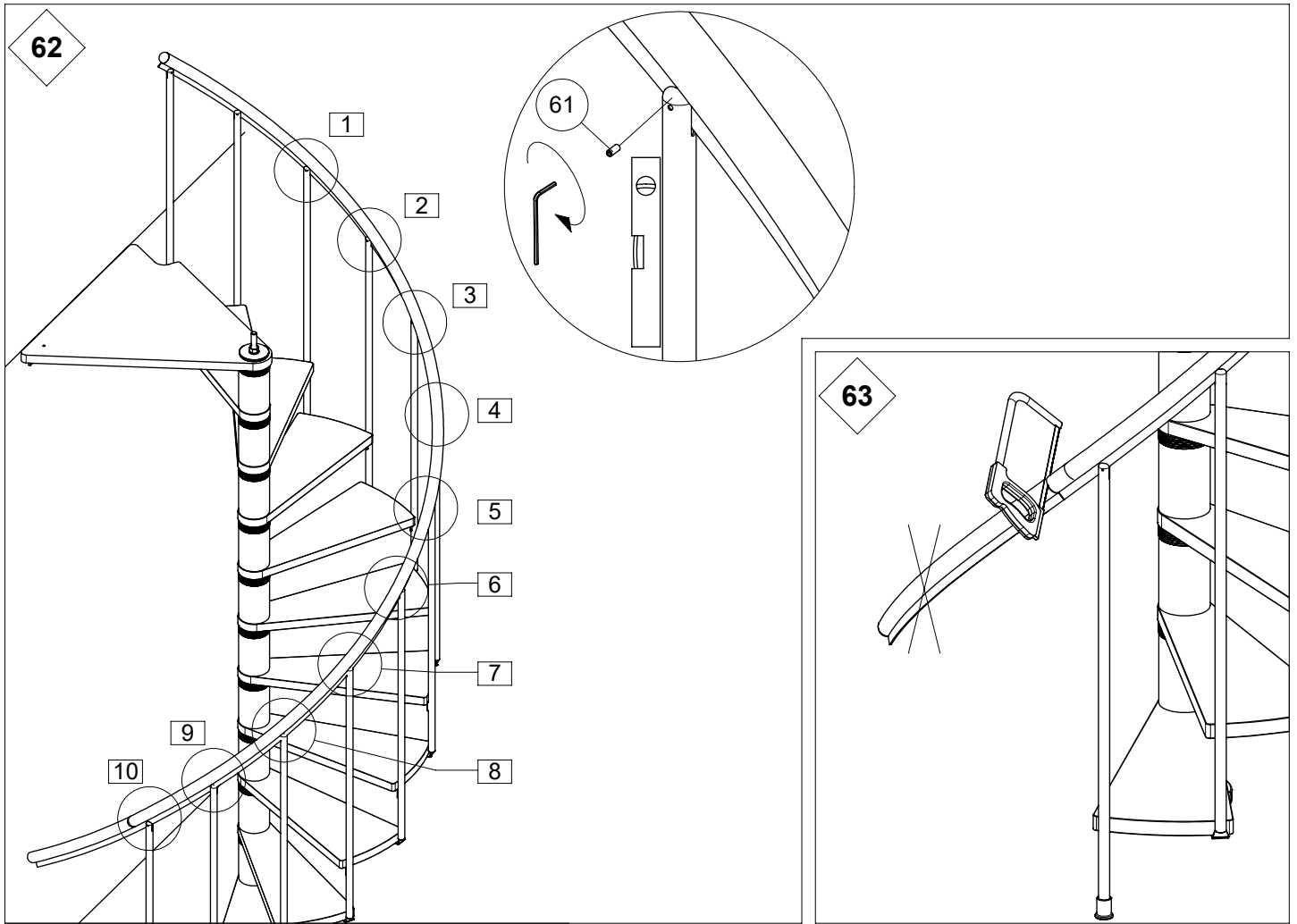


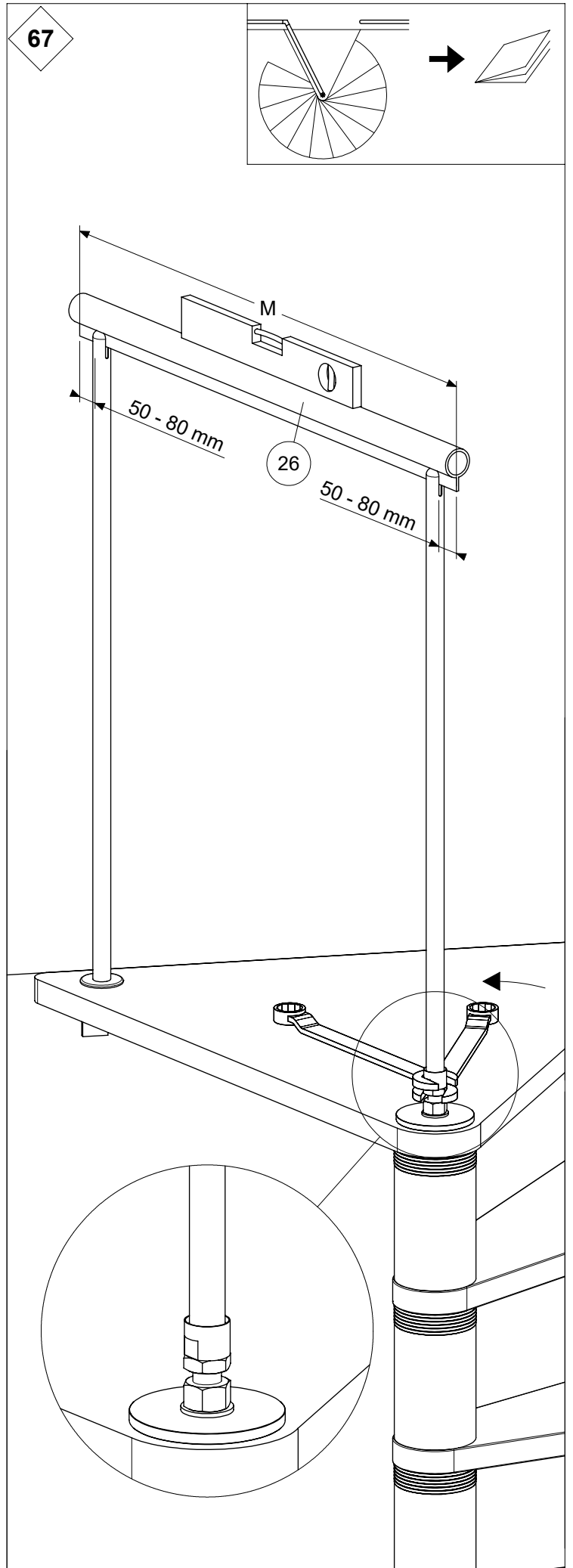
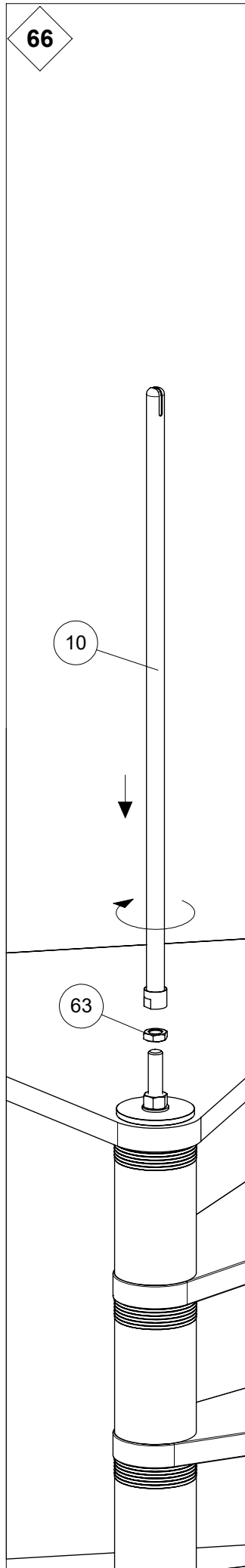
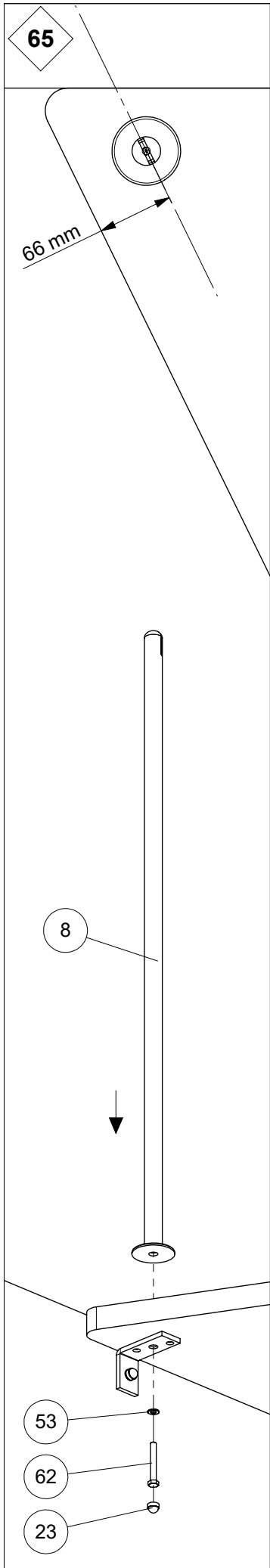


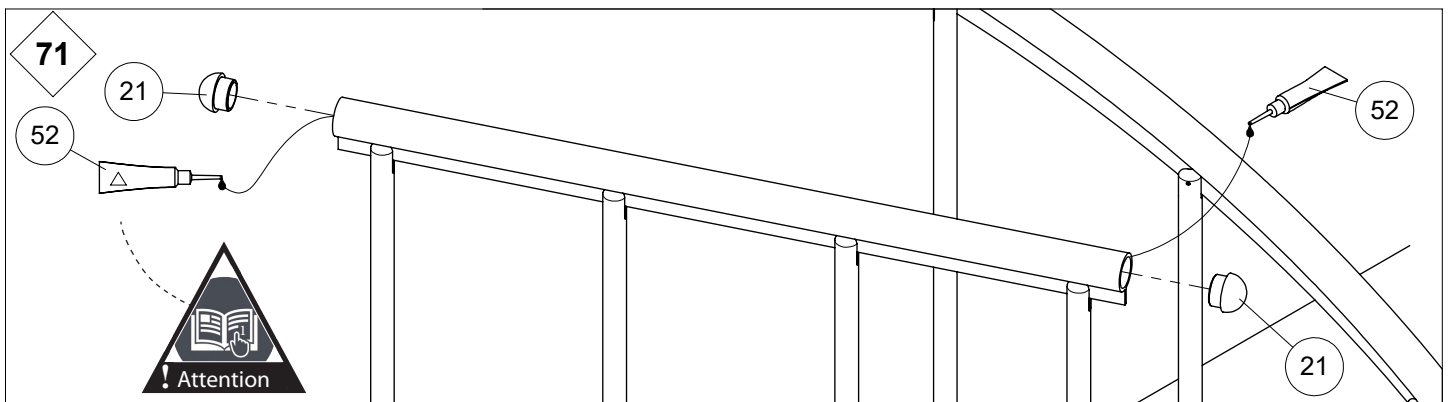
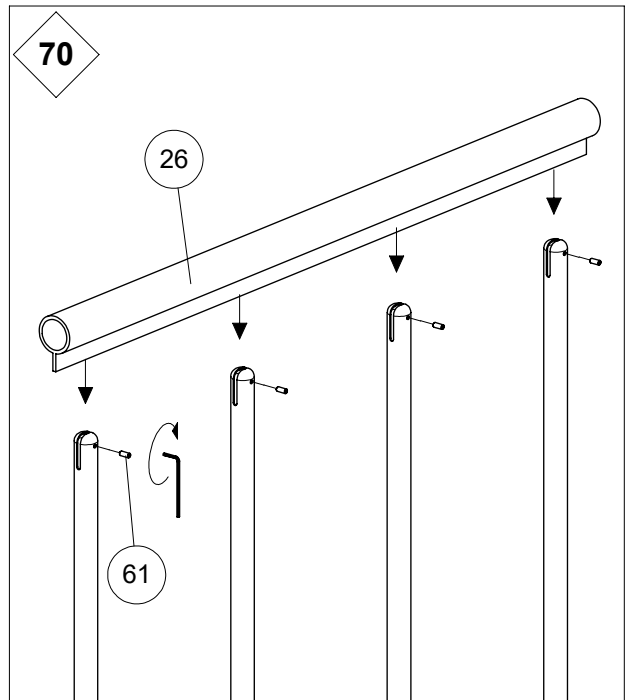
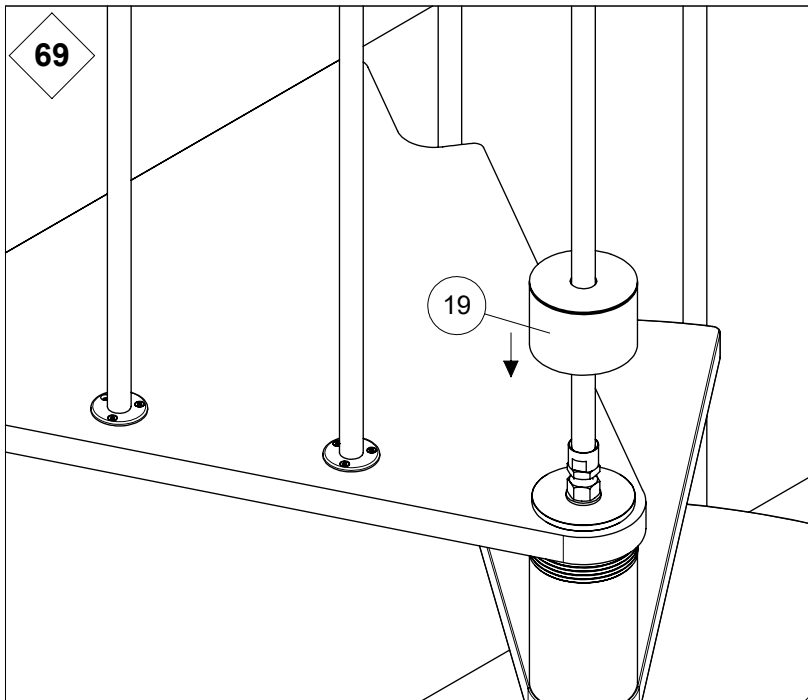
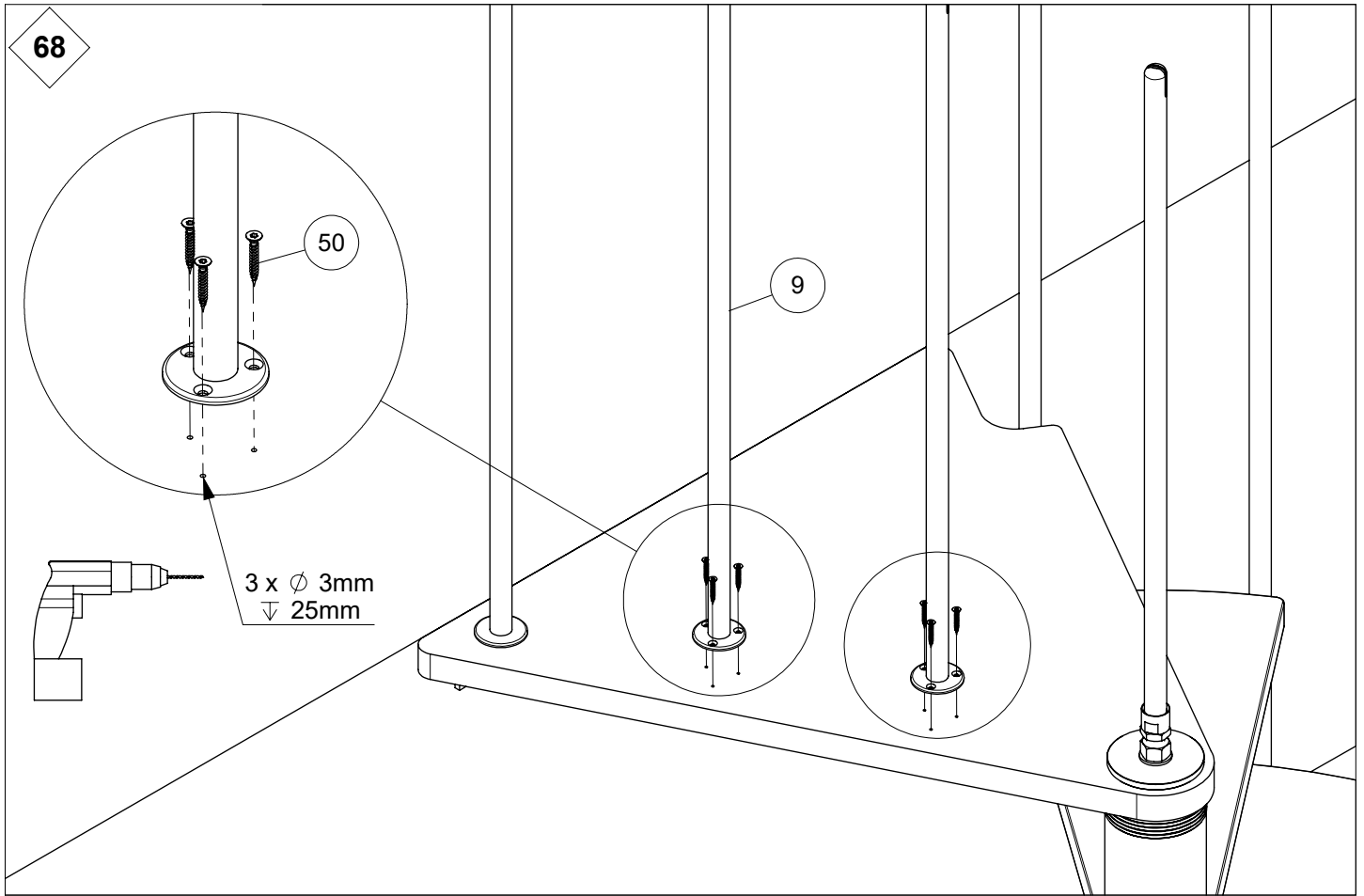


61

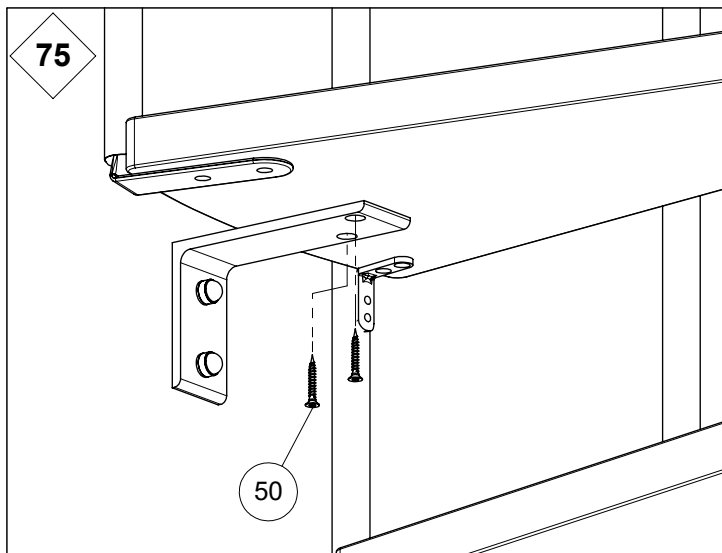
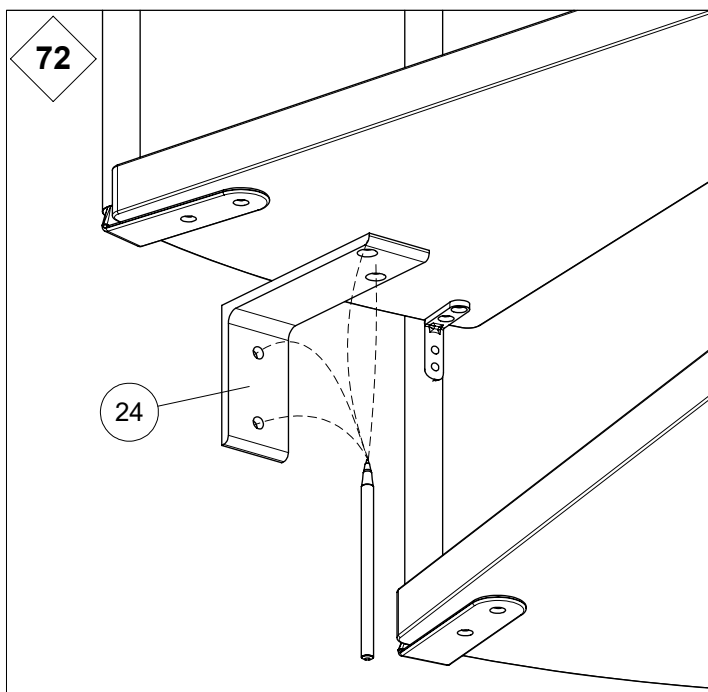
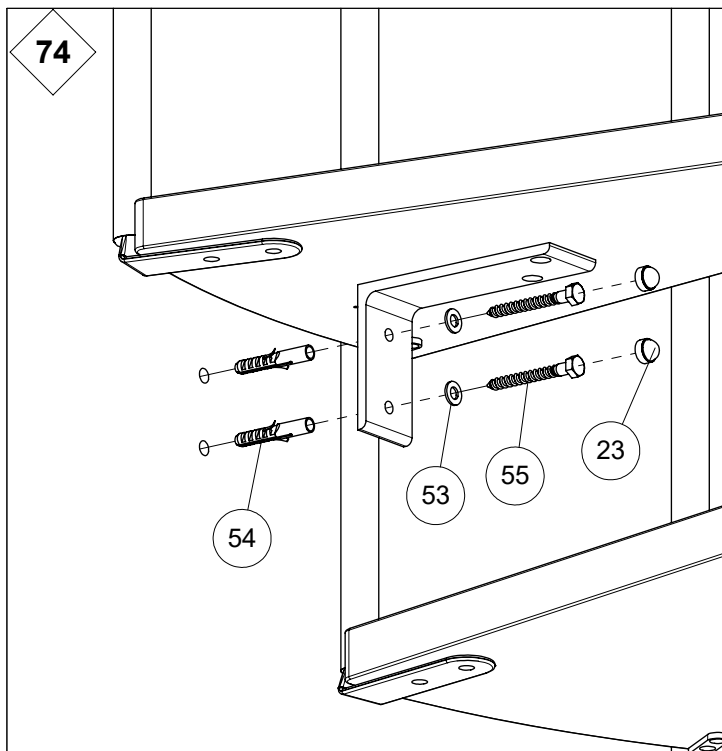
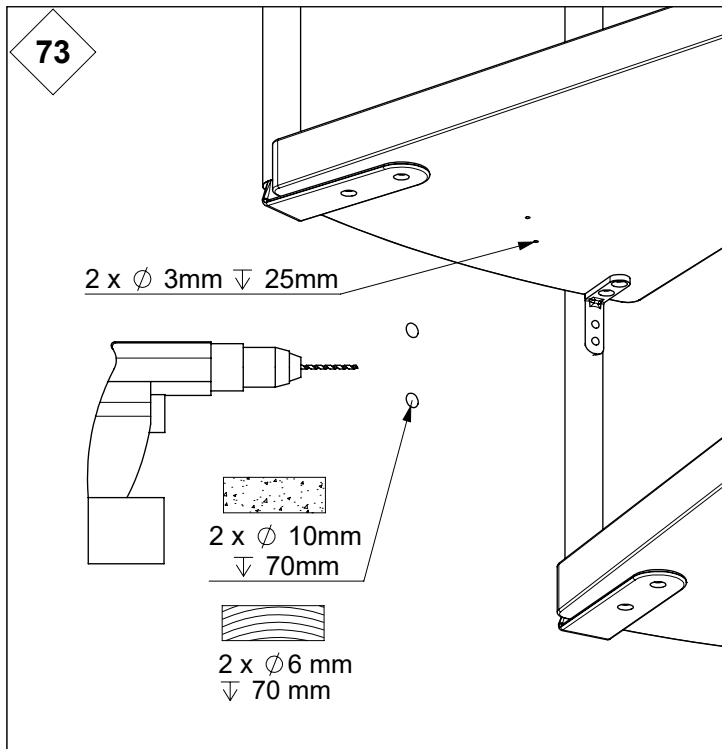
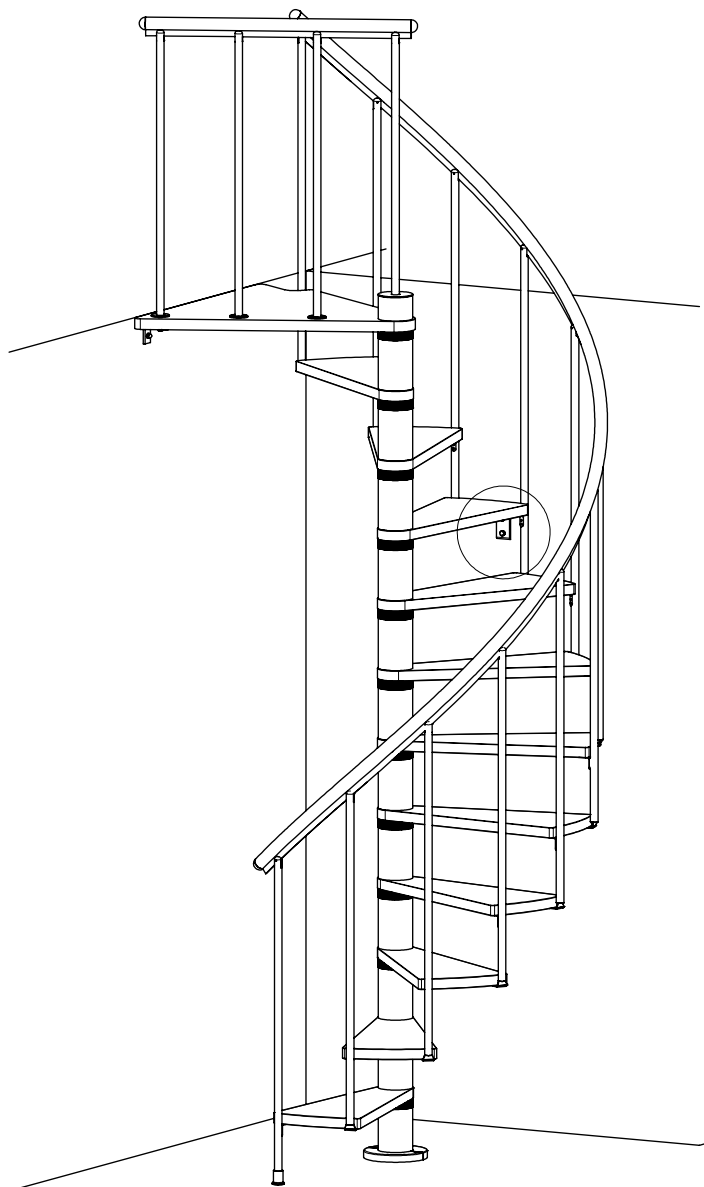












76

