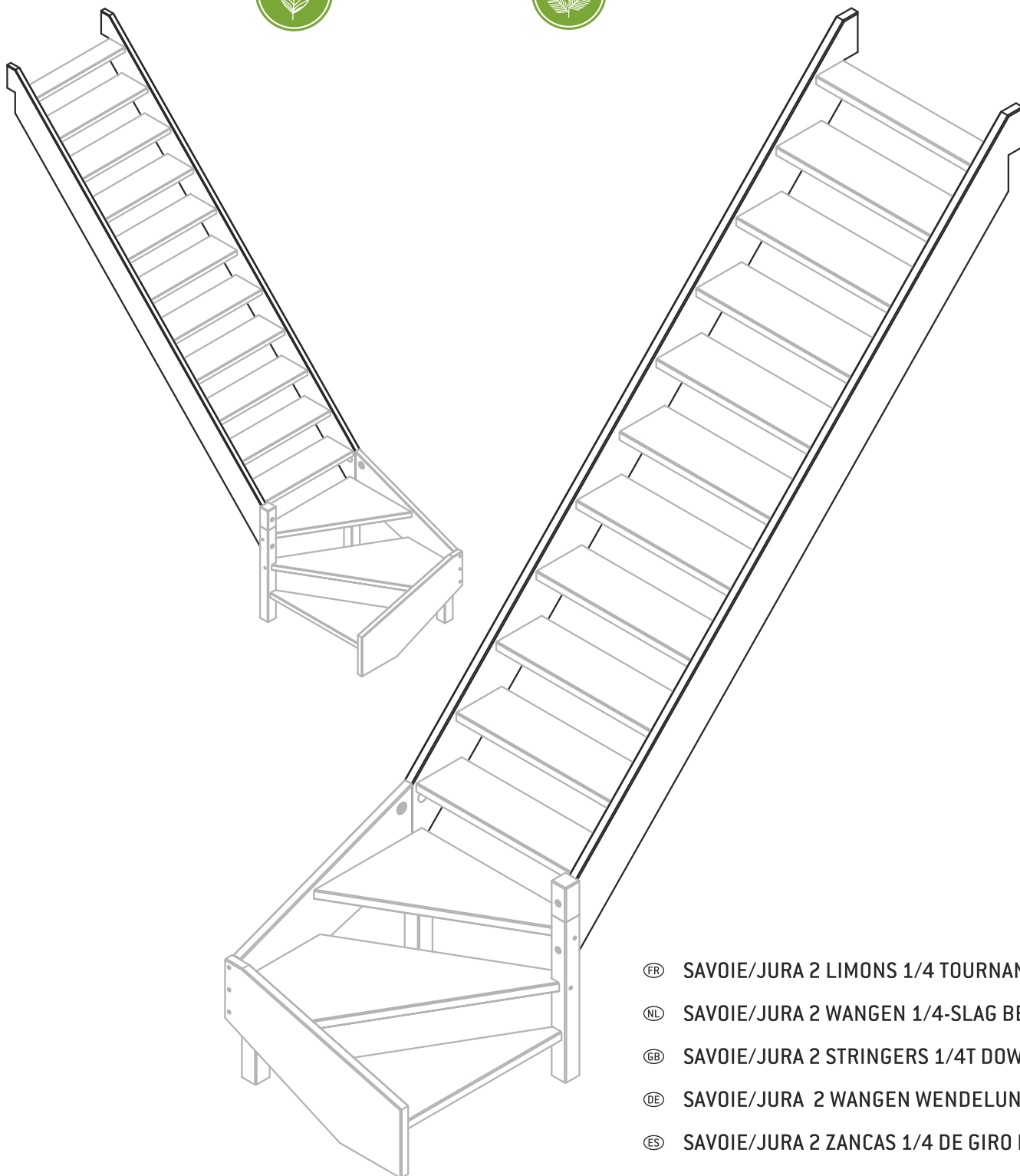
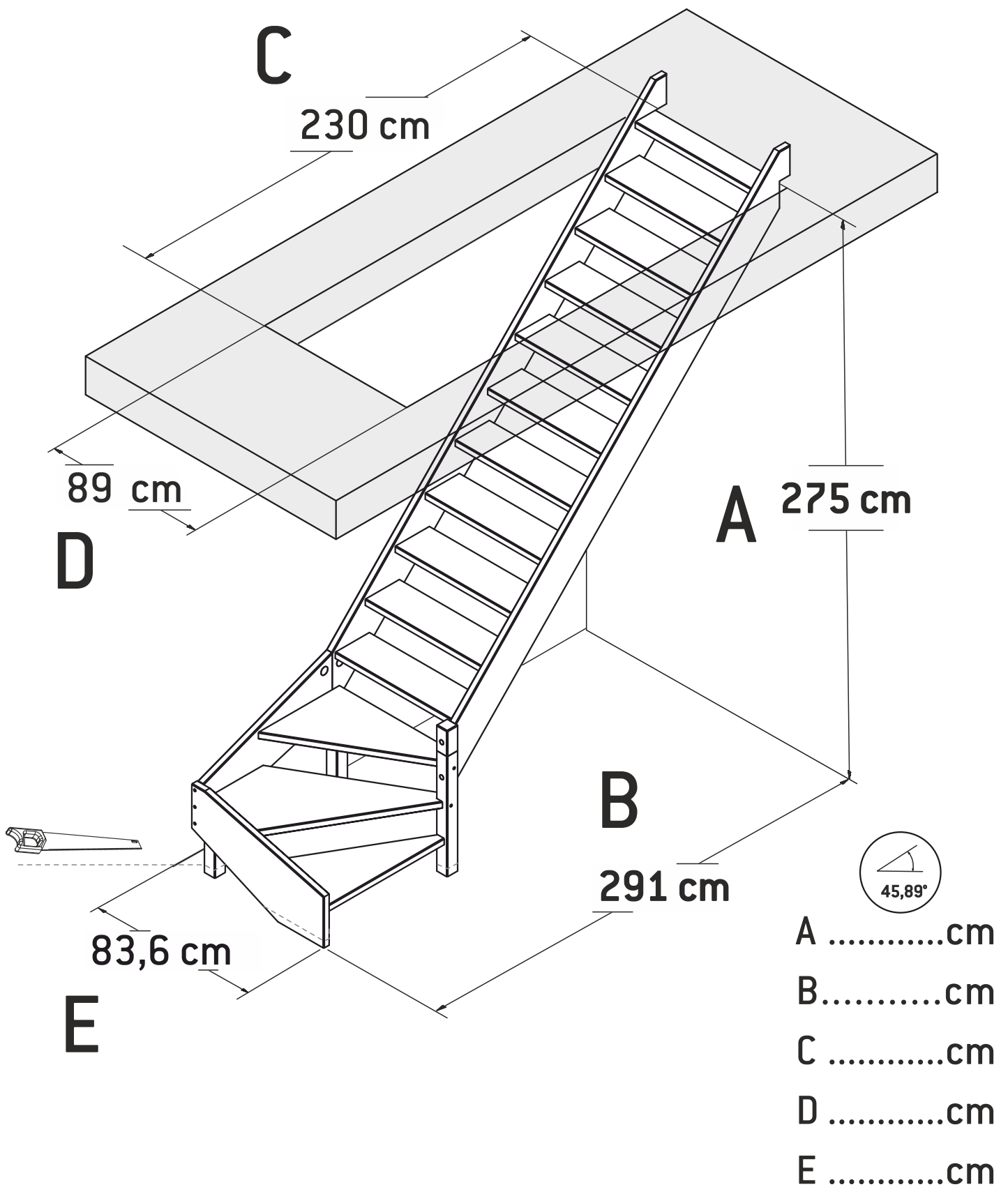


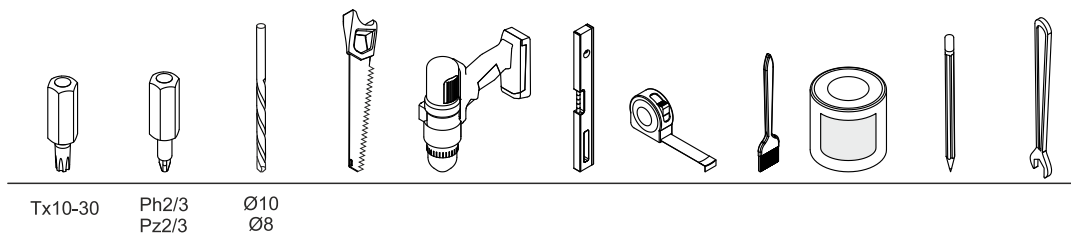
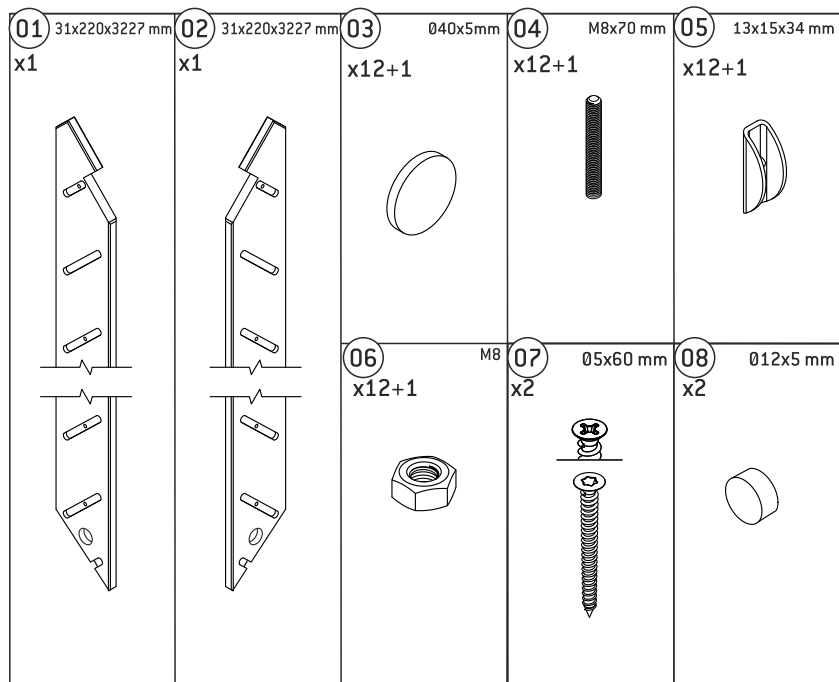
SAVOIE-JURA 1/4T



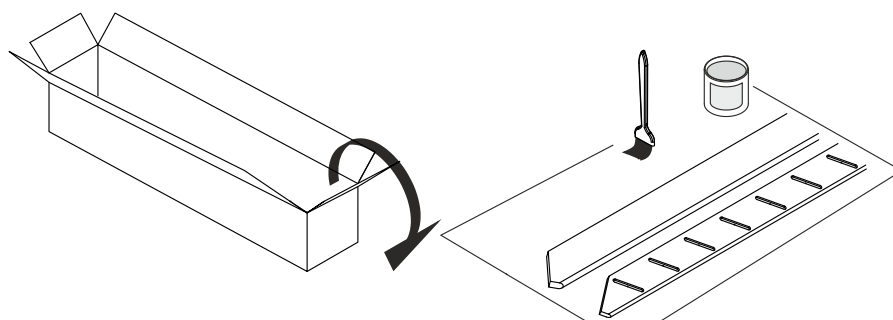
PL SAVOIE/JURA SCHODY Z ZABIEGIEM 1/4 DOLNYM

- FR SAVOIE/JURA 2 LIMONS 1/4 TOURNANT BAS
- NL SAVOIE/JURA 2 WANGEN 1/4-SLAG BENEDEN
- GB SAVOIE/JURA 2 STRINGERS 1/4T DOWN
- DE SAVOIE/JURA 2 WANGEN WENDELUNG UNTEN
- ES SAVOIE/JURA 2 ZANCAS 1/4 DE GIRO BAJO
- RO SAVOIE/JURA 2 VANGURI SCARA 1/4 JOS
- LT SAVOIE/JURA LAIPTŲ SU POSŪKIŲ TIESIOSIOS DALIES ŠONINIAI UŽDENGIMAI

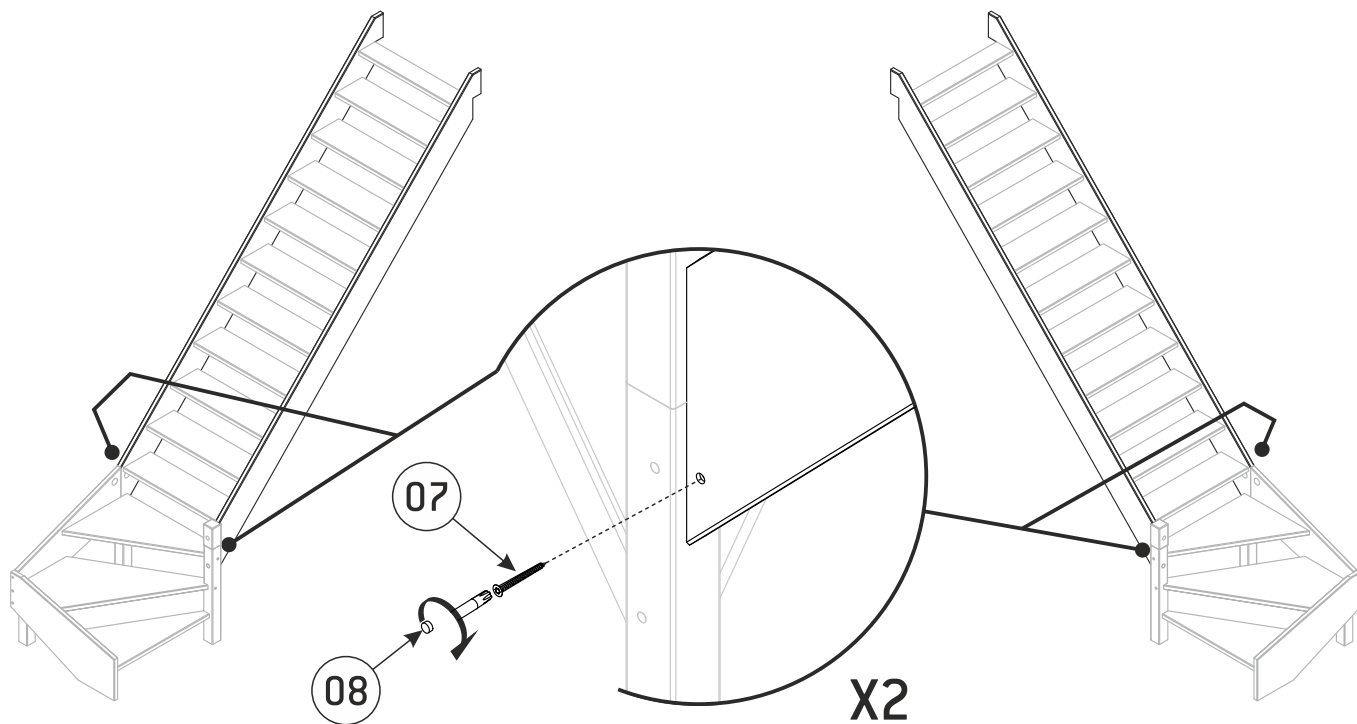
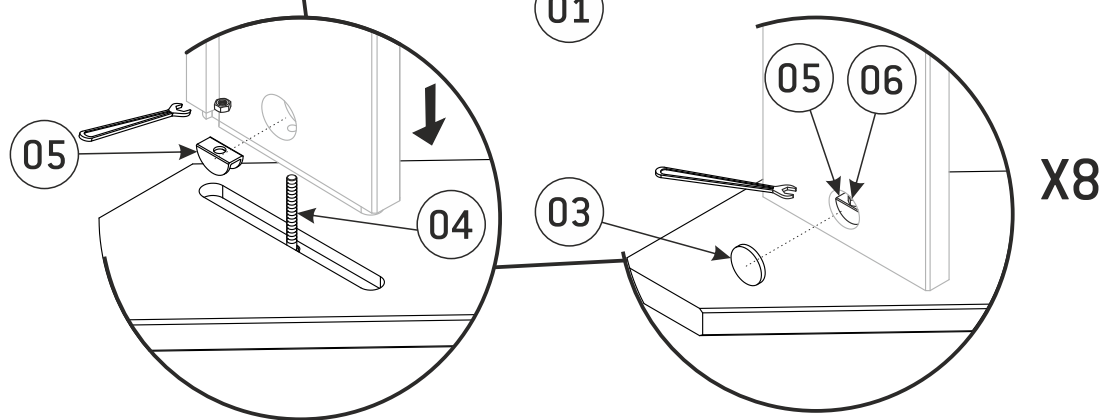
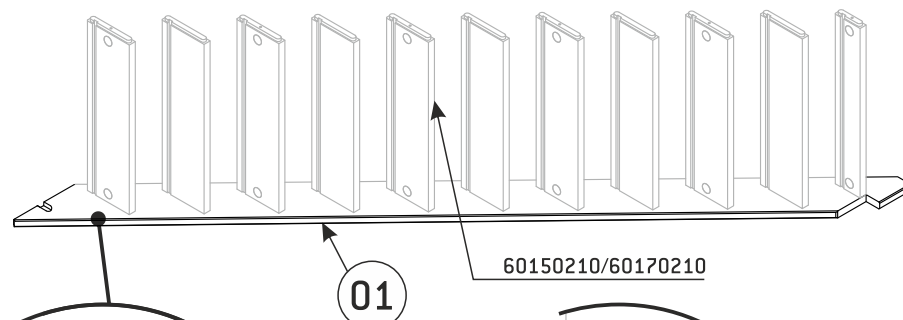




1



2



Producent: SOGEM Group, Rue Grimard, 39 B-6061 Montignies-Sur-Sambre (Charleroi) - Belgia
 Dystrybutor: DOLLE Sp. z o.o., ul. Międzyrzecka 149, 43-382 Bielsko-Biała, Polska
 Tel. 33 827-24-90, E-mail: biuro@dolle.com

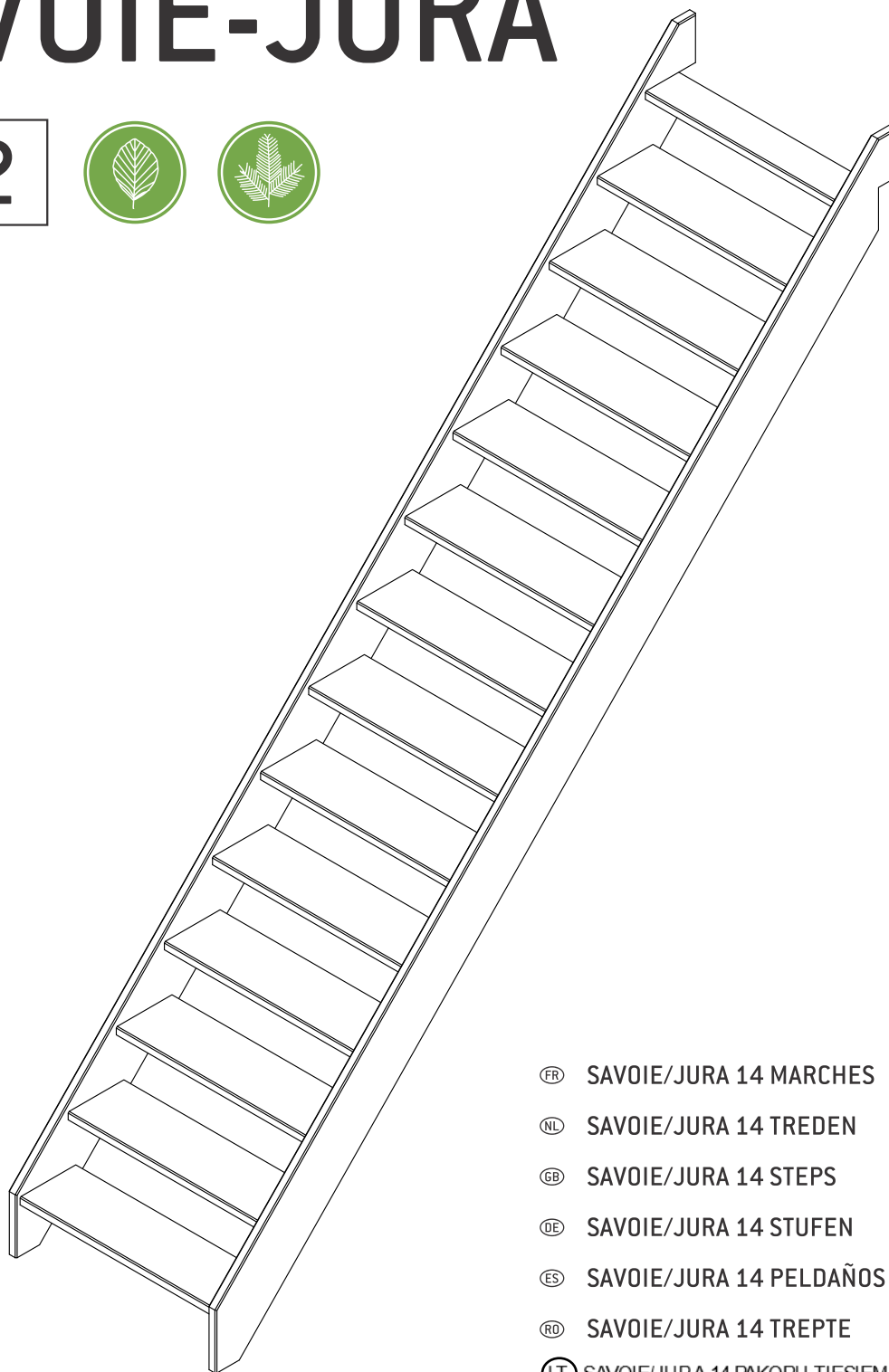
SO GEM

DOLLE®

SAVOIE-JURA

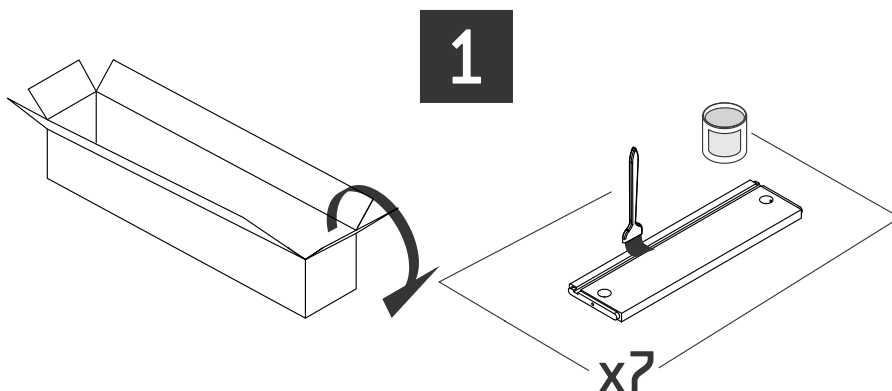
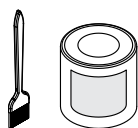
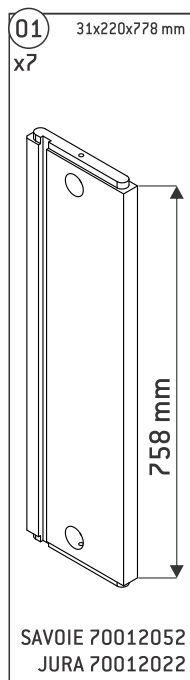
1

2



- Ⓧ FR SAVOIE/JURA 14 MARCHES
- Ⓧ NL SAVOIE/JURA 14 TREDEN
- Ⓧ GB SAVOIE/JURA 14 STEPS
- Ⓧ DE SAVOIE/JURA 14 STUFEN
- Ⓧ ES SAVOIE/JURA 14 PELDAÑOS
- Ⓧ RO SAVOIE/JURA 14 TREPTE
- Ⓧ LT SAVOIE/JURA 14 PAKOPŲ TIEŠIEMS LAIPTAMS
- Ⓧ PL SAVOIE/JURA 14 STOPNI

1 **2**

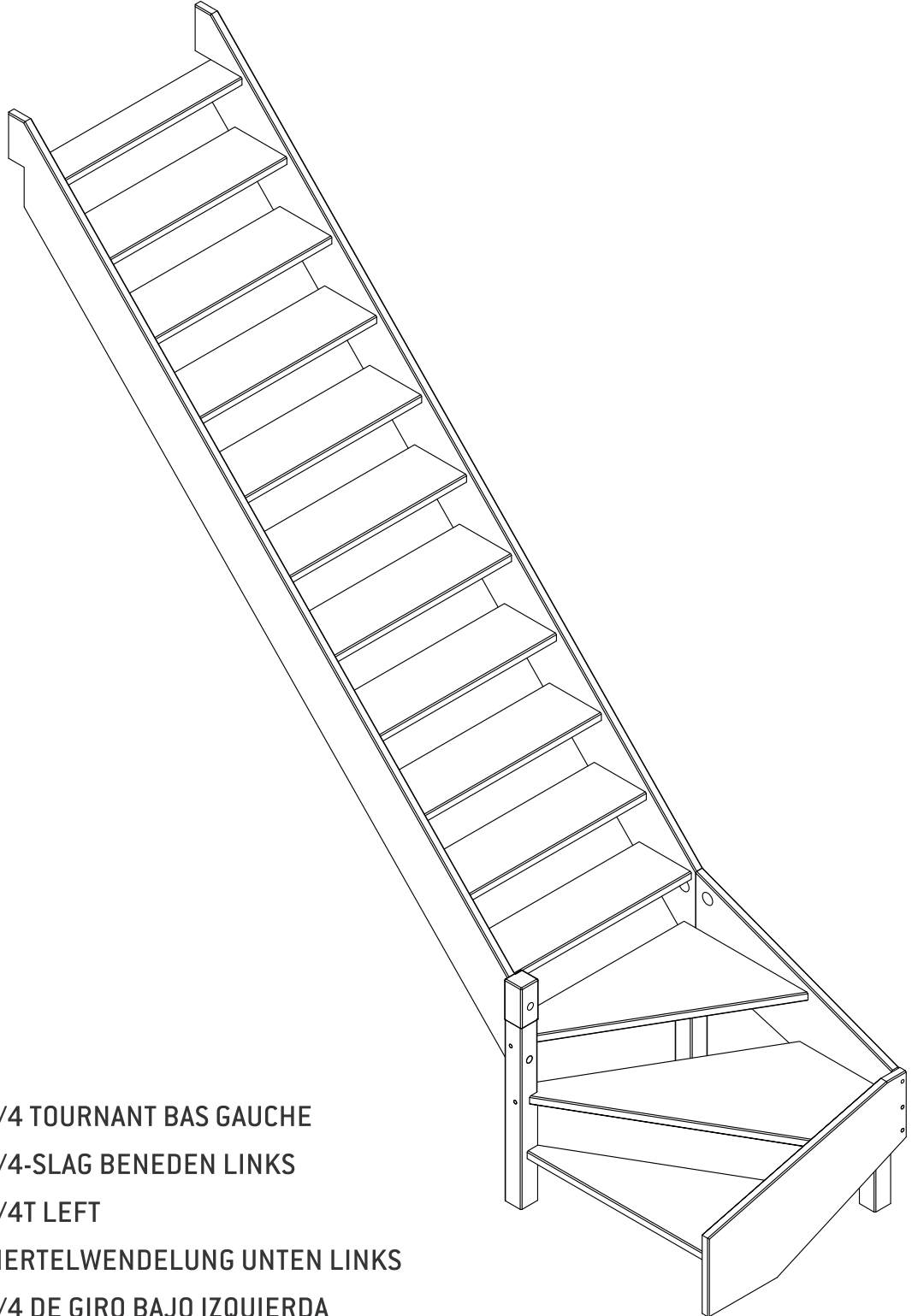


Producent: SOGEM Group, Rue Grimard, 39 B-6061 Montignies-Sur-Sambre (Charleroi) - Belgia
 Dystrybutor: DOLLE Sp. z o.o., ul. Międzyrzecka 149, 43-382 Bielsko-Biała, Polska
 Tel. 33 827-24-90, E-mail: biuro@dolle.com

SOGEM

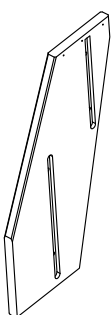
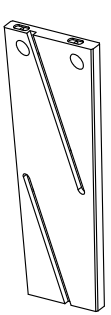
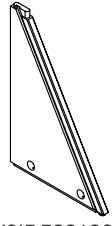
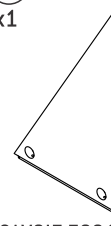
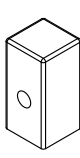
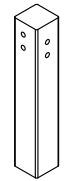
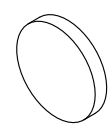
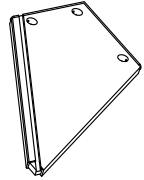
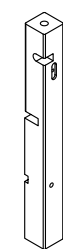






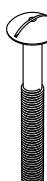
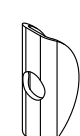








DOLLE

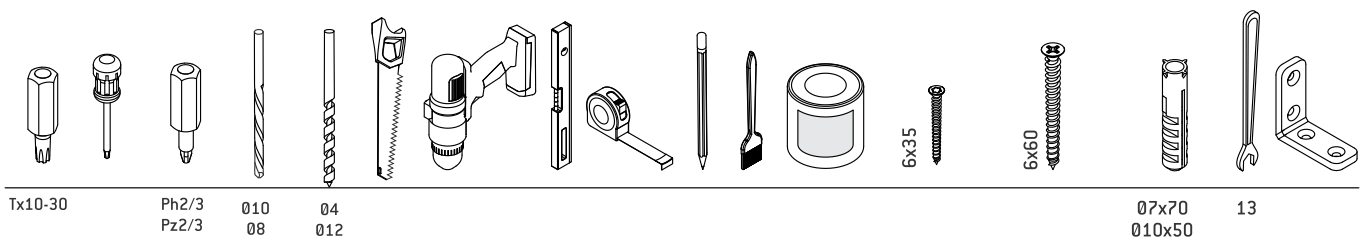
SAVOIE-JURA



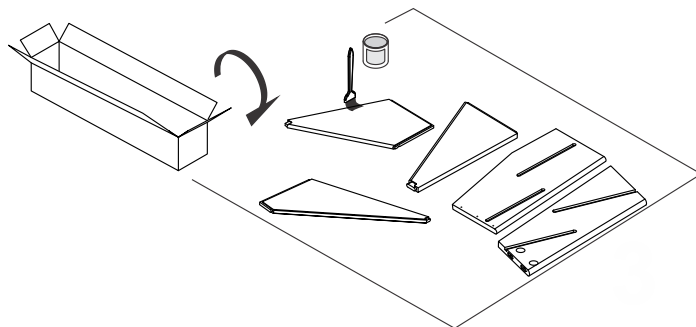
- Ⓡ FR SAVOIE/JURA 1/4 TOURNANT BAS GAUCHE
- Ⓡ NL SAVOIE/JURA 1/4-SLAG BENEDEN LINKS
- Ⓡ GB SAVOIE/JURA 1/4T LEFT
- Ⓡ DE SAVOIE/JURA VIERTELWENDELUNG UNTEN LINKS
- Ⓡ ES SAVOIE/JURA 1/4 DE GIRO BAJO IZQUIERDA
- Ⓡ RO SAVOIE/JURA 1/4 T STANGA JOS
- Ⓡ LT SAVOIE/JURA APATINIS 1/4 POSŪKISĮ KAIRĖ
- Ⓡ PL SAVOIE/JURA ZABIEG 1/4 LEWY

SAVOIE+JURA QT BAS GAUCHE

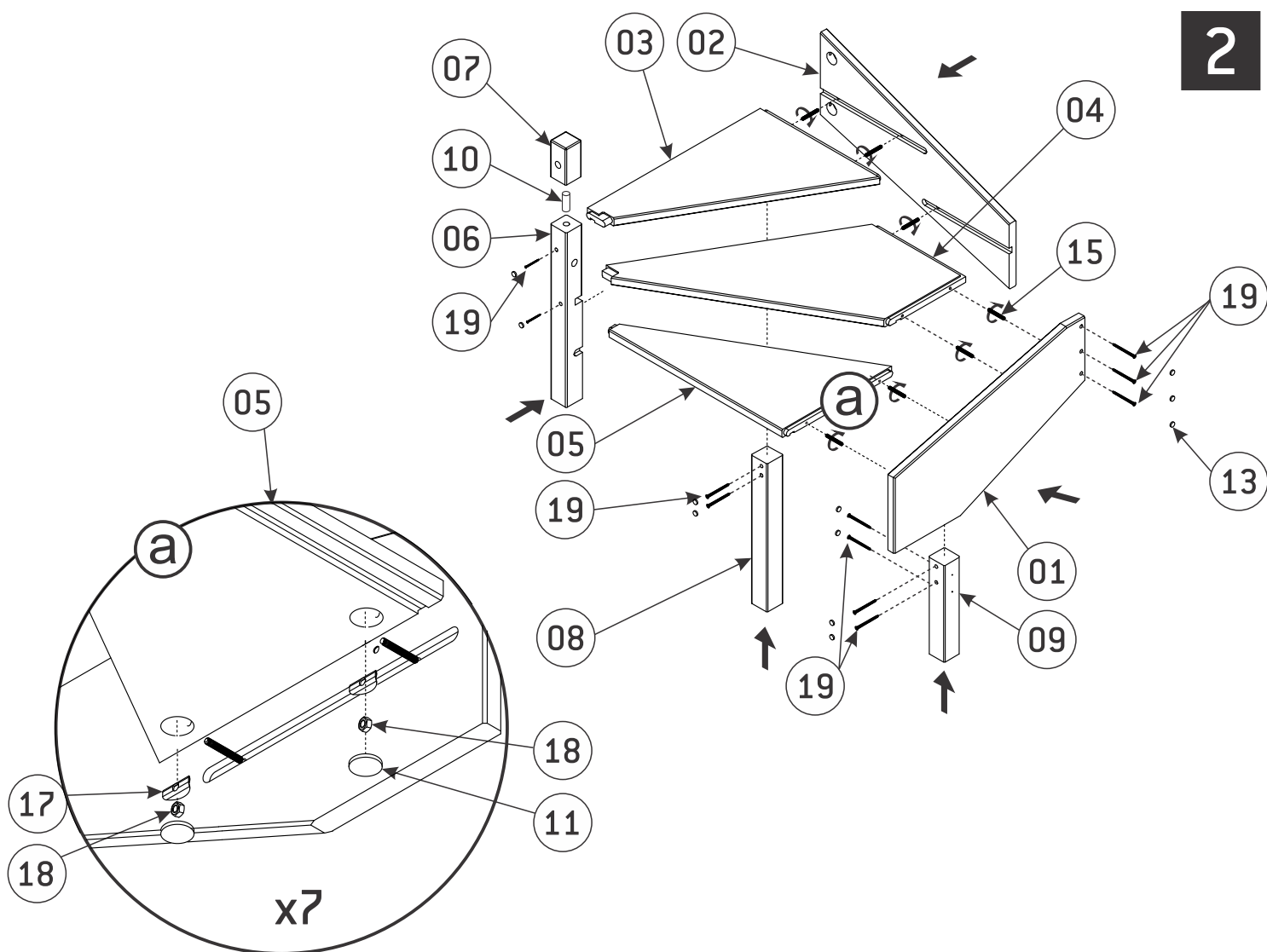
<p>01 31x483x836 mm x1</p>  <p>SAVOIE 70012057 JURA 70012027</p>	<p>02 31x563x828 mm x1</p>  <p>SAVOIE 70012058 JURA 70012028</p>	<p>03 31x523x782 mm x1</p>  <p>SAVOIE 70012059 JURA 70012029</p>	<p>05 31x482x782 mm x1</p>  <p>SAVOIE 70012060 JURA 70012030</p>	<p>07 70x70x140 mm x1</p> 	<p>09 70x70x367 mm x1</p> 	<p>11 040 x 6 mm x11+1</p> 
		<p>04 31x752x827 mm x1</p>  <p>SAVOIE 70012061 JURA 70012031</p>	<p>06 70x70x663,5 mm x1</p>  <p>SAVOIE 70012062 JURA 70012032</p>	<p>08 70x70x563 mm x1</p> 	<p>10 020 x 50 mm x1</p> 	<p>12 020 x 6 mm x2</p> 
<p>13 012 x 6 mm x12</p> 	<p>14 08 x 110 mm x1</p> 	<p>15 08 x 70 mm x8</p> 	<p>16 08 x 70 mm x1</p> 	<p>17 1.5x11x18.6mm x11</p> 	<p>18 M8 x11</p> 	
<p>19 05x60 mm x12+2</p>  <p>70031053</p>	<p>20 08 x 110 mm x1</p> 					    

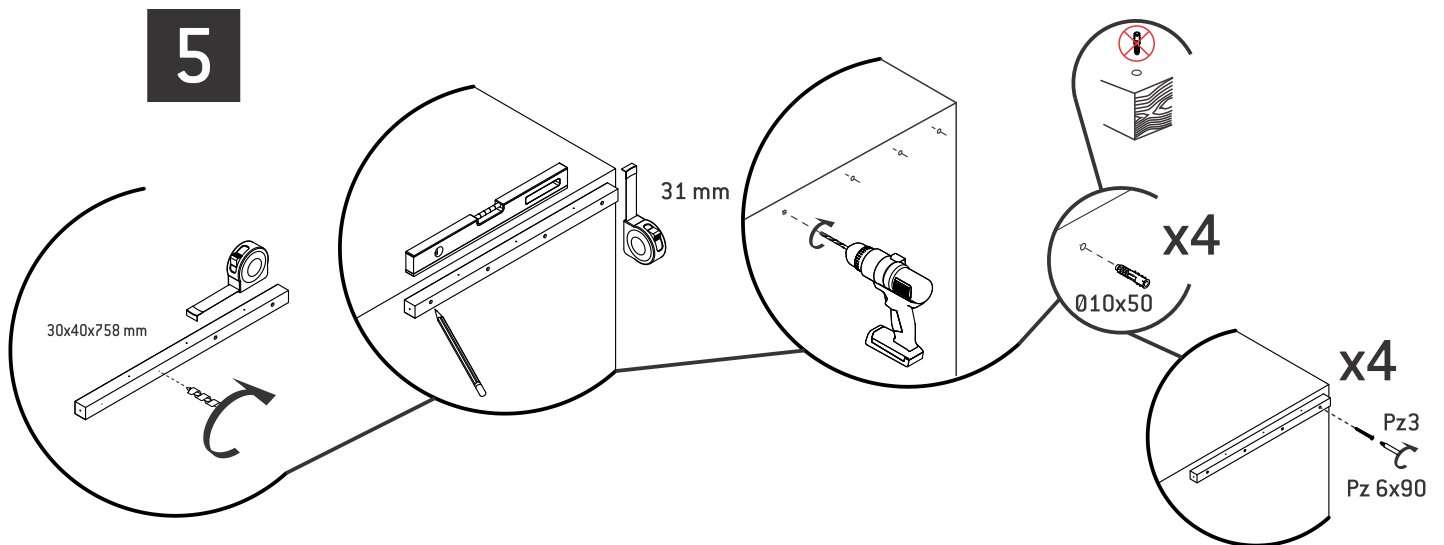
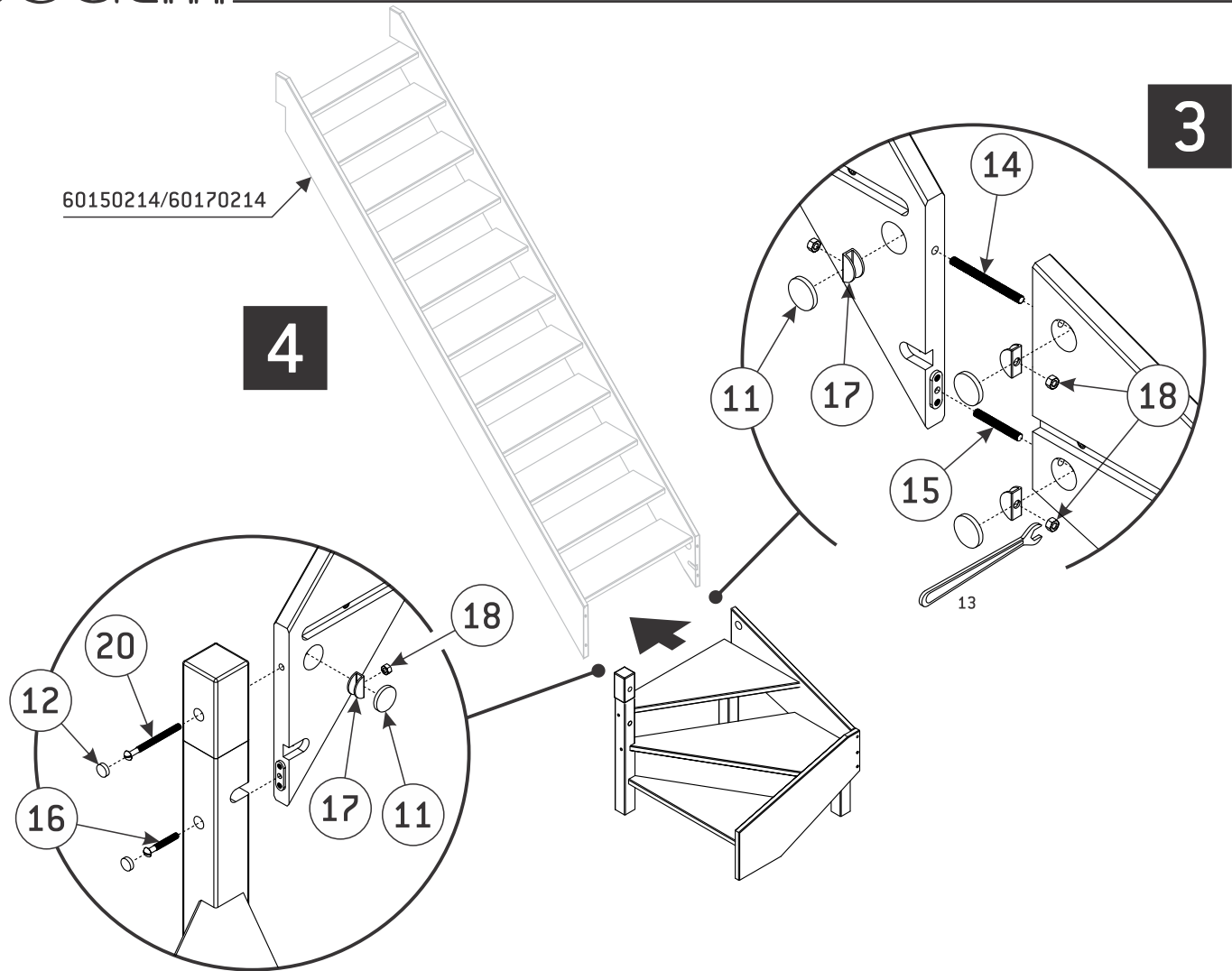


1

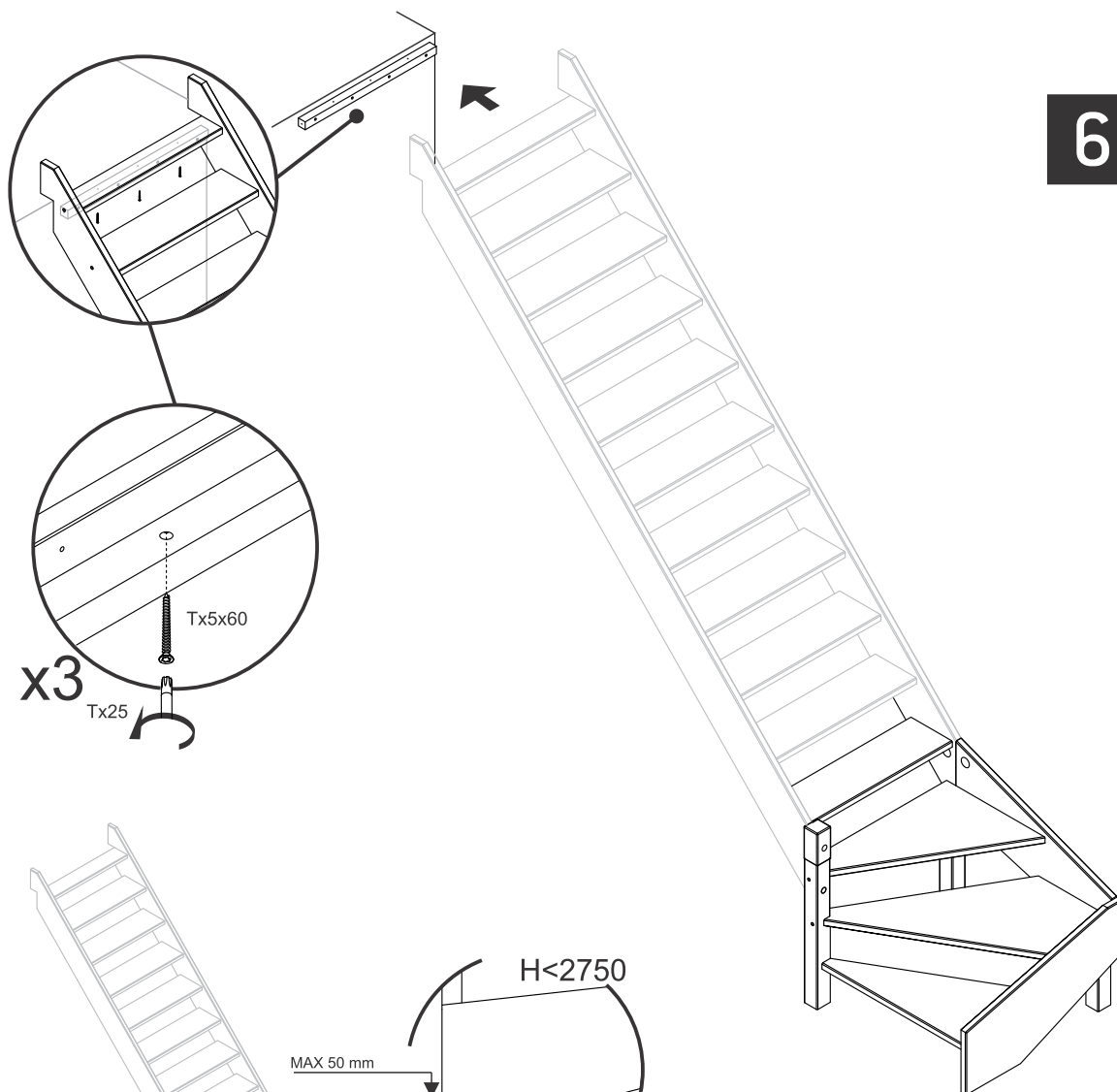


2

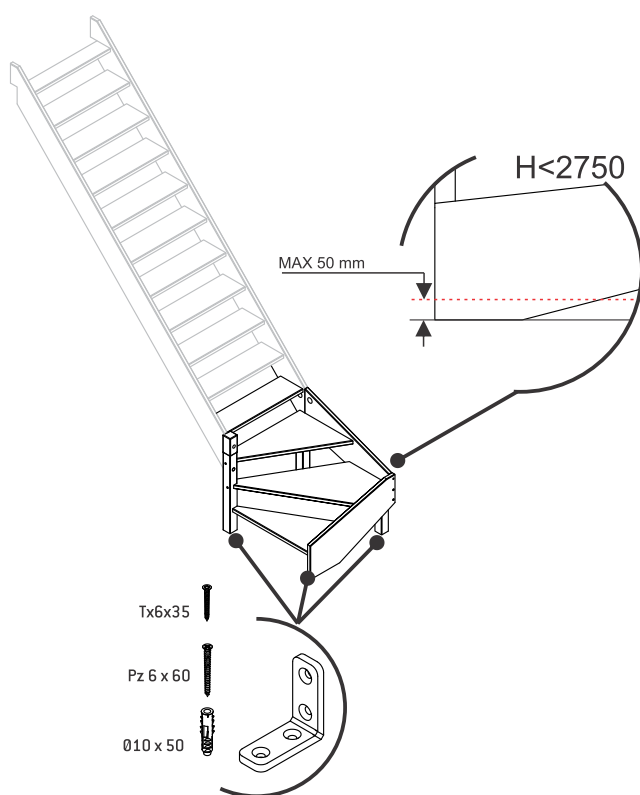




6



7

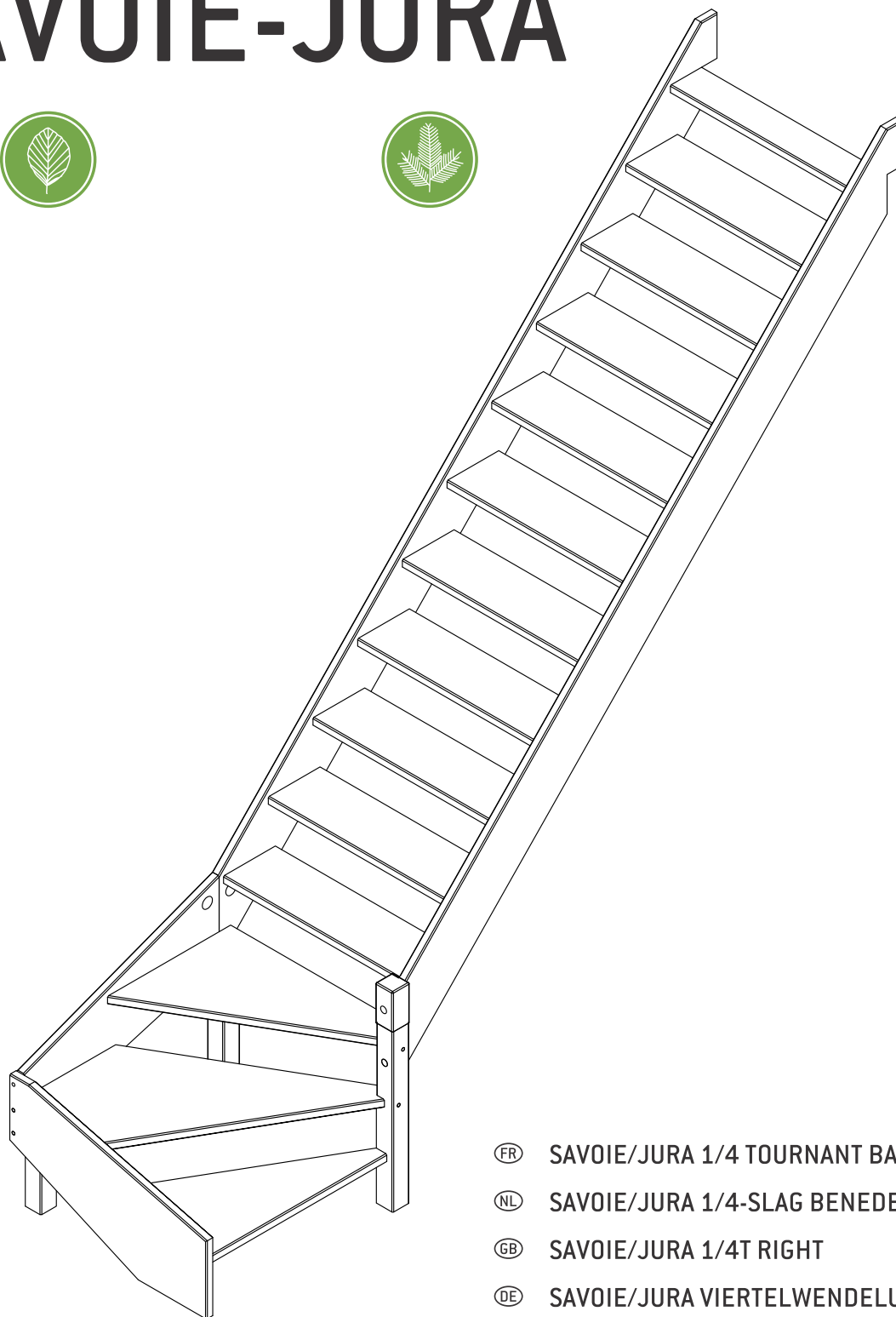


Producent: SOGEM Group, Rue Grimard, 39 B-6061 Montignies-Sur-Sambre (Charleroi) - Belgia
 Dystrybutor: DOLLE Sp. z o.o., ul. Międzyrzecka 149, 43-382 Bielsko-Biała, Polska
 Tel. 33 827-24-90, E-mail: biuro@dolle.com

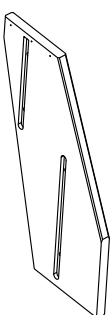

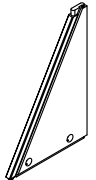
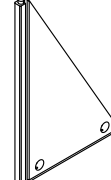
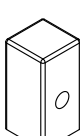
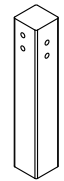
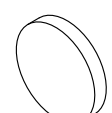
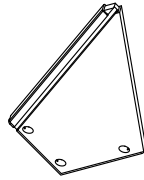
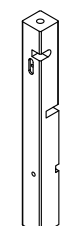

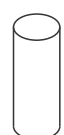




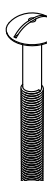
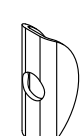



SOGEM

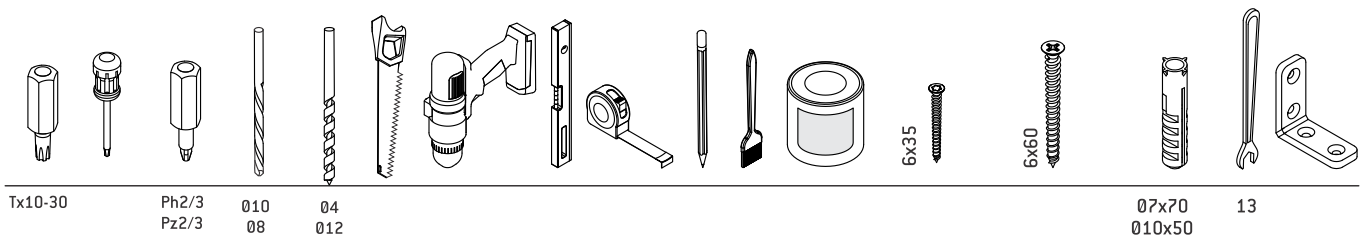
DOLLE®

SAVOIE-JURA

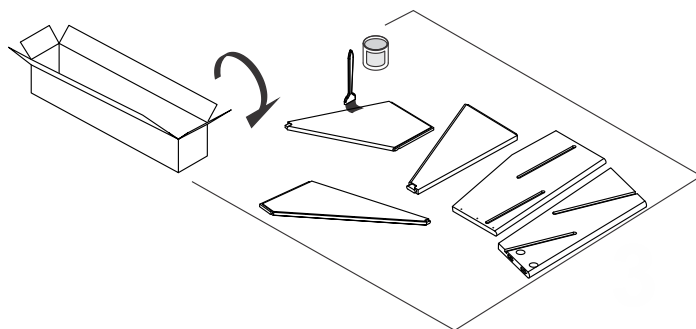


- Ⓡ SAVOIE/JURA 1/4 TOURNANT BAS DROITE
- Ⓡ SAVOIE/JURA 1/4-SLAG BENEDEN RECHTS
- Ⓡ SAVOIE/JURA 1/4T RIGHT
- Ⓡ SAVOIE/JURA VIERTELWENDELUNG UNTEN RECHTS
- Ⓡ SAVOIE/JURA 1/4 DE GIRO BAJO DERECHA
- Ⓡ SAVOIE/JURA 1/4 T DREAPTA JOS
- Ⓡ SAVOIE/JURA APATINIS 1/4 POSŪKIS Į DEŠINĘ
- Ⓡ SAVOIE/JURA ZABIĘG 1/4 PRAWY

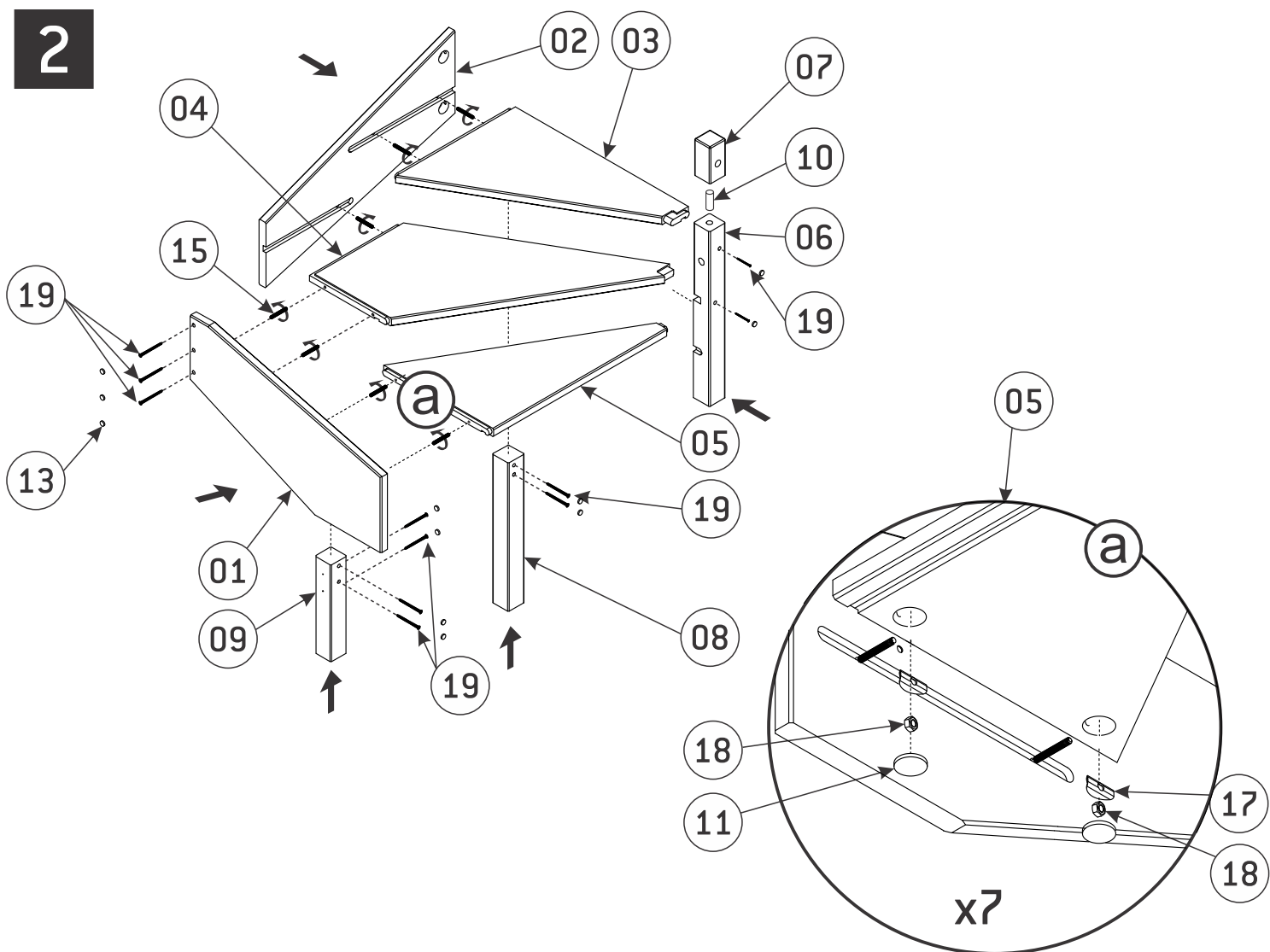
<p>01 31x483x836 mm x1</p>  <p>SAVOIE 70012063 JURA 70012033</p>	<p>02 31x563x828 mm x1</p>  <p>SAVOIE 70012064 JURA 70012034</p>	<p>03 31x523x782 mm x1</p>  <p>SAVOIE 70012065 JURA 70012035</p>	<p>05 31x482x782 mm x1</p>  <p>SAVOIE 70012066 JURA 70012036</p>	<p>07 70x70x140 mm x1</p> 	<p>09 70x70x367 mm x1</p> 	<p>11 040 x 6 mm x11+1</p> 
		<p>04 31x752x827 mm x1</p>  <p>SAVOIE 70012067 JURA 70012037</p>	<p>06 70x70x663,5 mm x1</p>  <p>SAVOIE 70012068 JURA 70012038</p>	<p>08 70x70x563 mm x1</p> 	<p>10 020 x 50 mm x1</p> 	<p>12 020 x 6 mm x2</p> 
<p>13 012 x 6 mm x12</p> 	<p>14 08 x 110 mm x1</p> 	<p>15 08 x 70 mm x8</p> 	<p>16 08 x 70 mm x1</p> 	<p>17 1.5x11x18.6mm x11</p> 	<p>18 M8 x11</p> 	
<p>19 05x60 mm x12+2</p>  <p>70031053</p>	<p>20 08 x 110 mm x1</p> 					



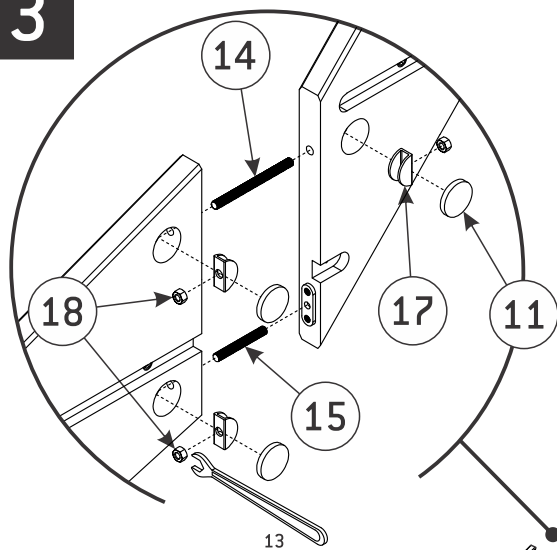
1



2

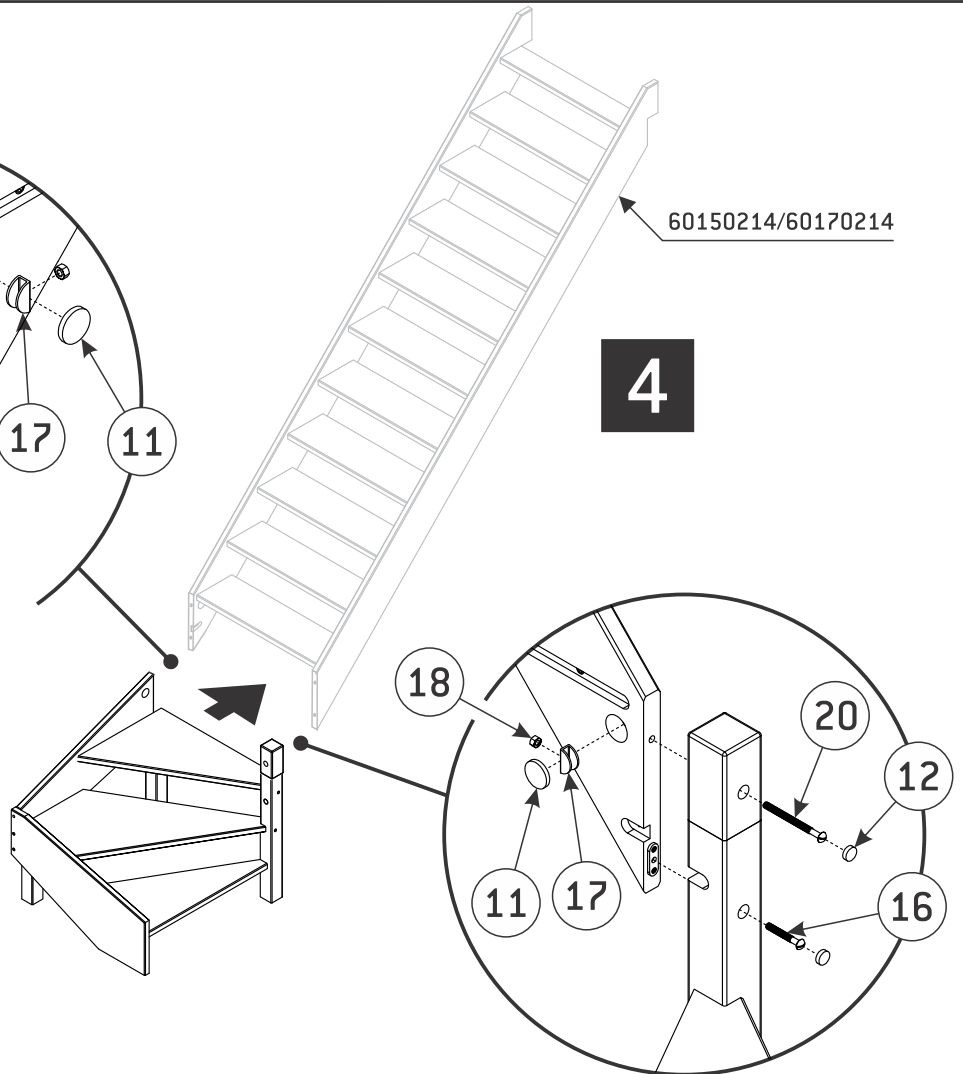


3

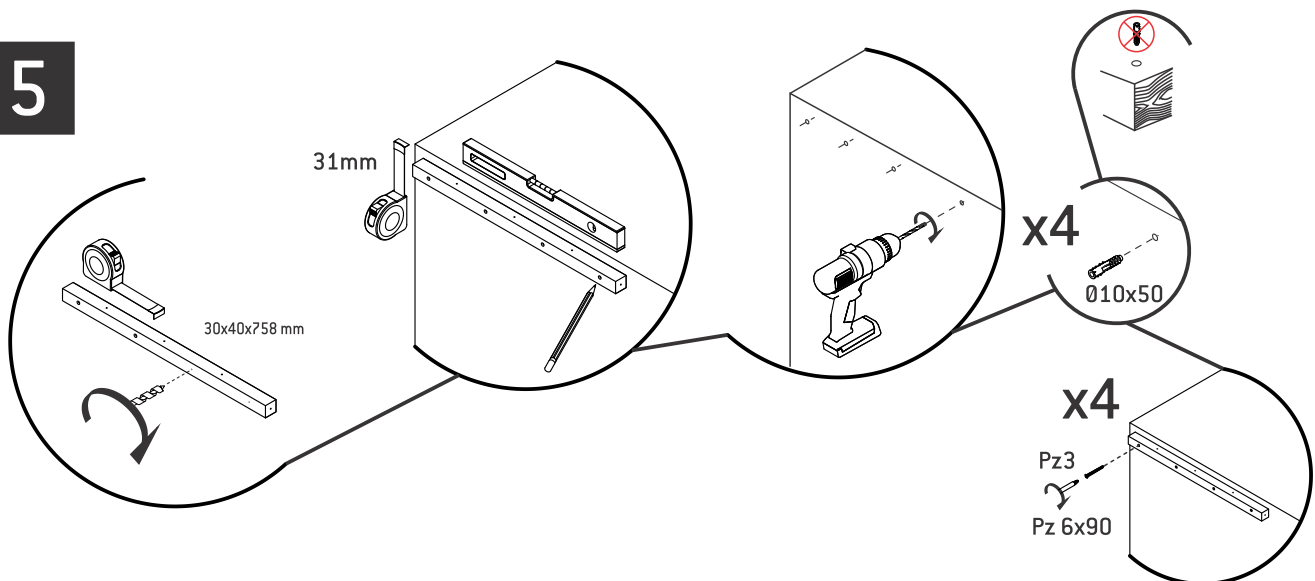


60150214/60170214

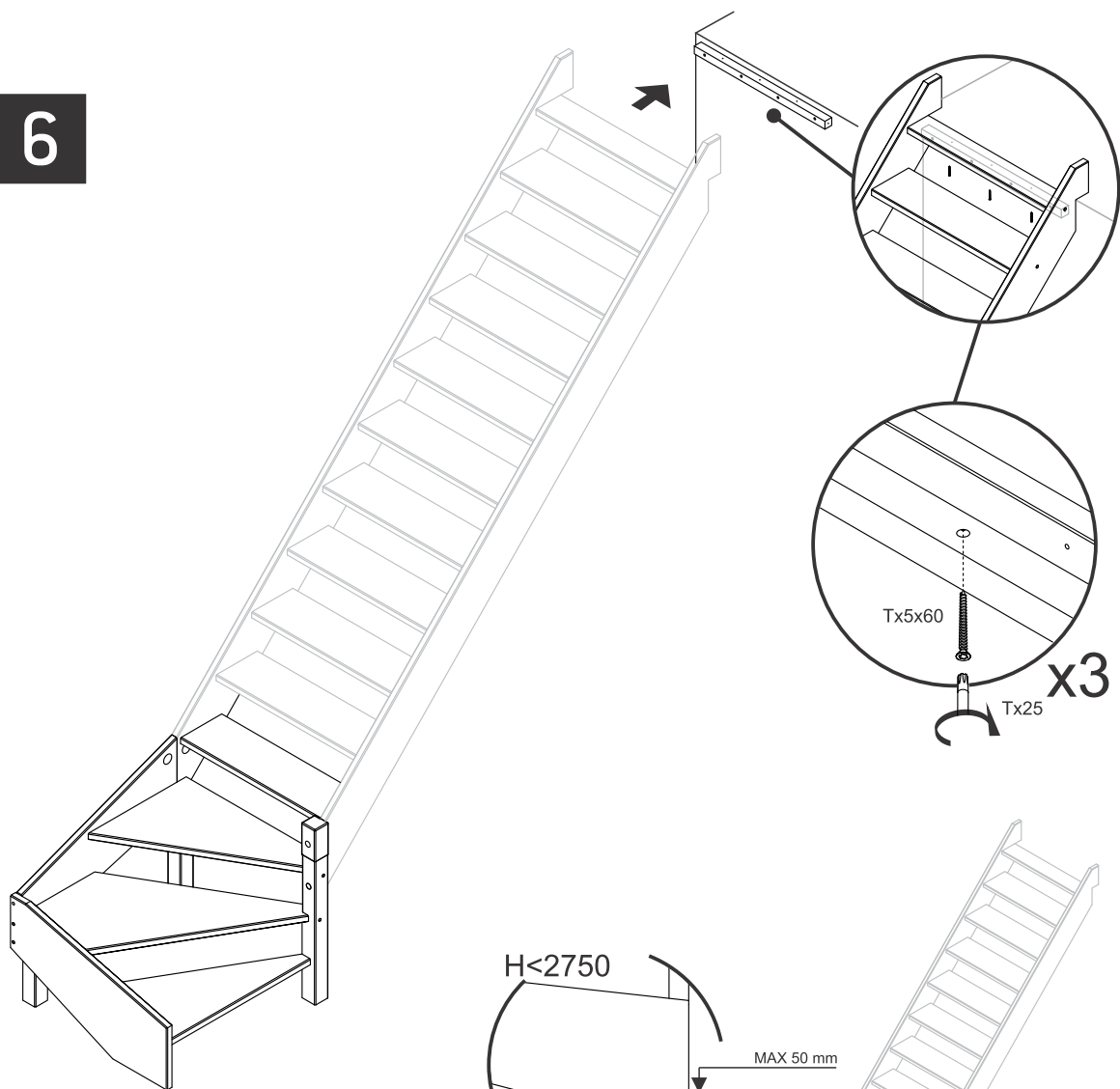
4



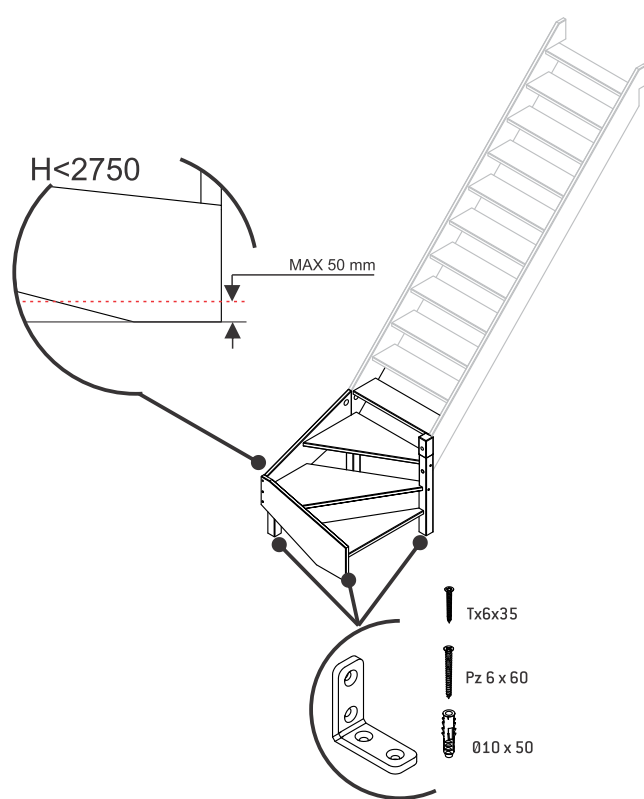
5



6



7

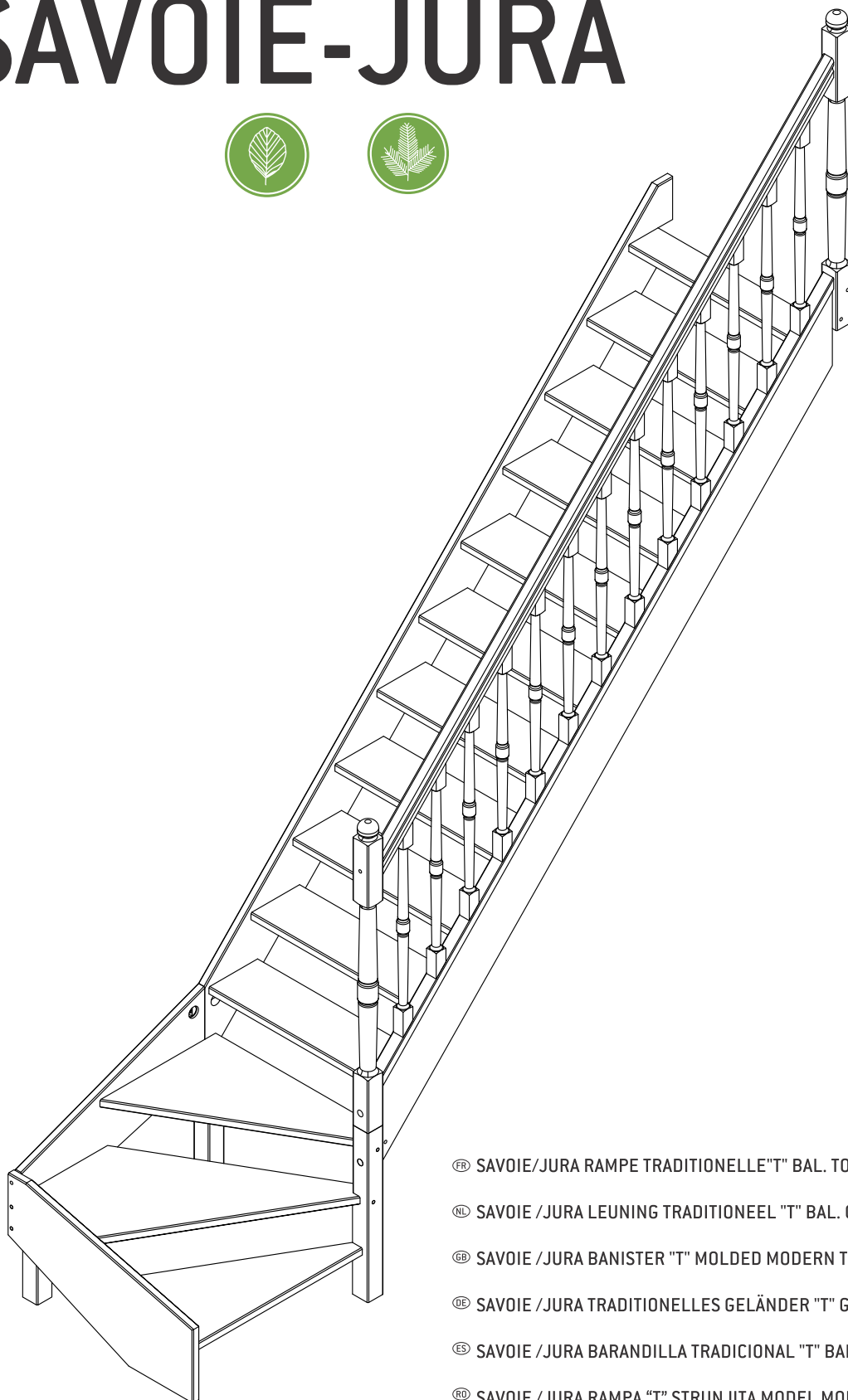


Producent: SOGEM Group, Rue Grimard, 39 B-6061 Montignies-Sur-Sambre (Charleroi) - Belgia
 Dystrybutor: DOLLE Sp. z o.o., ul. Międzyrzecka 149, 43-382 Bielsko-Biała, Polska
 Tel. 33 827-24-90, E-mail: biuro@dolle.com

SOGEM

DOLLE®

SAVOIE-JURA



PL SAVOIE/JURA BALUSTRADA TYP T

FR SAVOIE/JURA RAMPE TRADITIONELLE "T" BAL. TOURNEES ESC. 1/4 TOURNANT

NL SAVOIE /JURA LEUNING TRADITIONEEL "T" BAL. GEDRAAID 1/4-SLAG

GB SAVOIE /JURA BANISTER "T" MOLDED MODERN TYPE 1/4T STAIRCASE

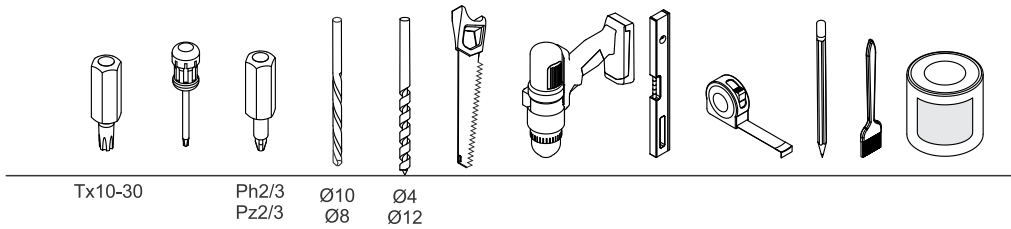
DE SAVOIE /JURA TRADITIONELLES GELÄNDER "T" GEDREHTE STÄBE GEWENDELTE TREPPE

ES SAVOIE /JURA BARANDILLA TRADICIONAL "T" BALAUSTRES TORNEADOS ESC. 1/4 DE GIRO

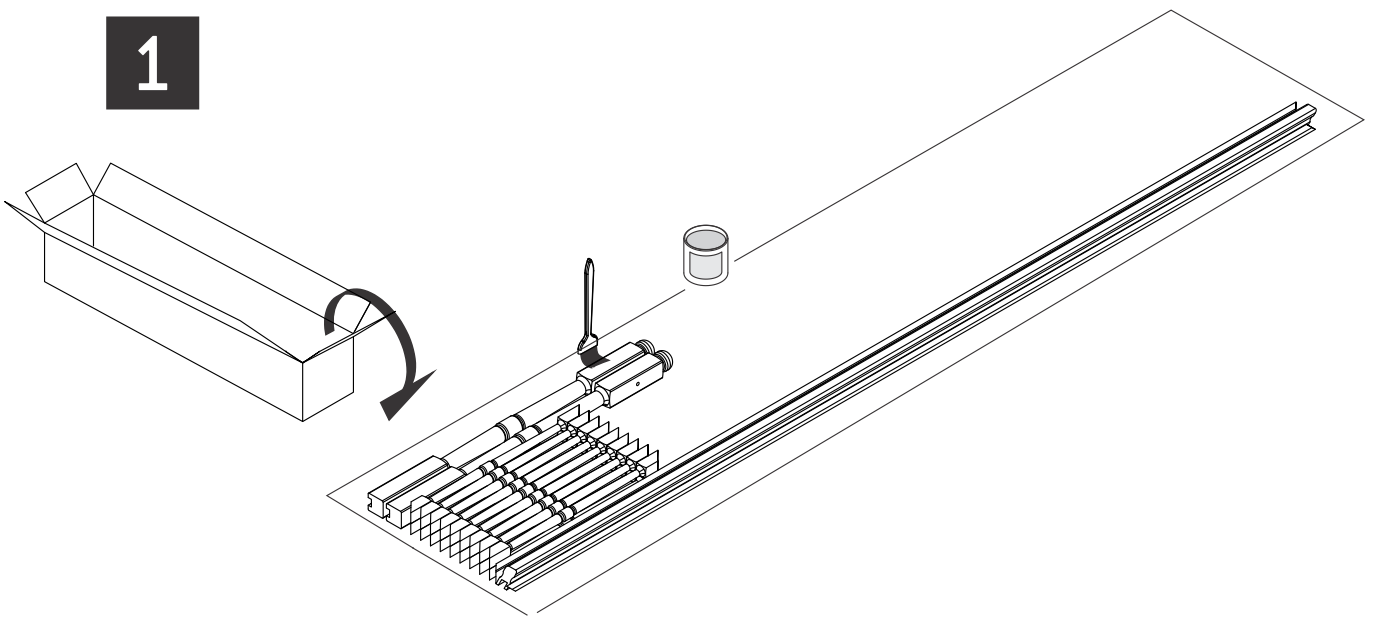
RO SAVOIE /JURA RAMPA "T" STRUNJITA MODEL MODERN SCARA 1/4 T

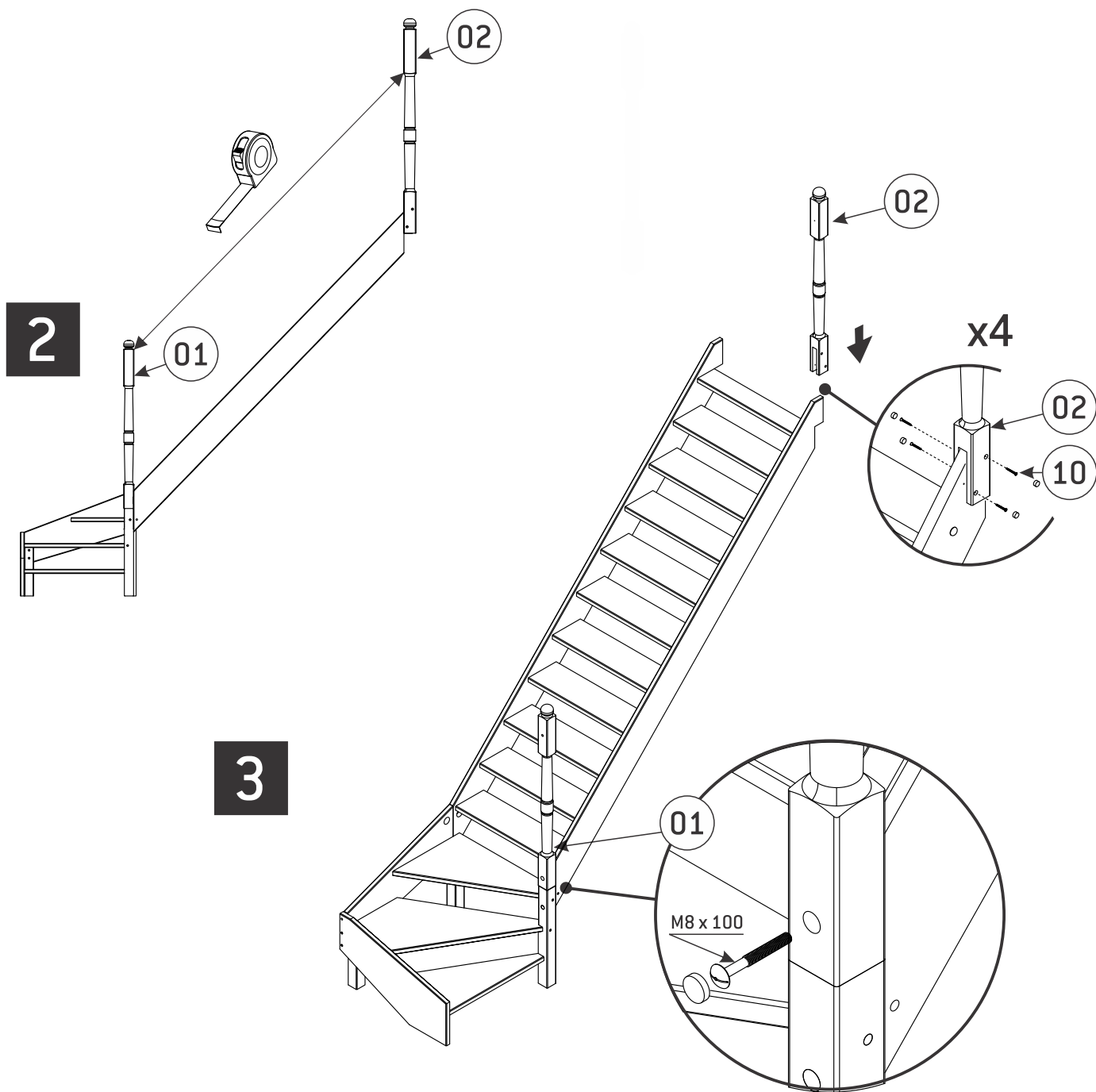
LT SAVOIE/JURA TURÉKLAS "T" LAIPTAMS SU KETVRČIO POSŪKIU

01 70x70x1189 mm x1 	02 70x70x1214 mm x1 	03 44x44x831 mm x13 	04 50x50x3150 mm x1 	05 32x54x3150 x1 	06 26x16x3150 mm x1 	07 16x25x168 mm x2 	08 Ø12x6 mm x9+2 	09 Ø4x45 mm x3+2 	10 Ø4x40 mm x46+2 	11 Ø5x60 mm x2+1
-----------------------------------	-----------------------------------	-----------------------------------	-----------------------------------	--------------------------------	-----------------------------------	----------------------------------	--------------------------------	--------------------------------	---------------------------------	--------------------------------

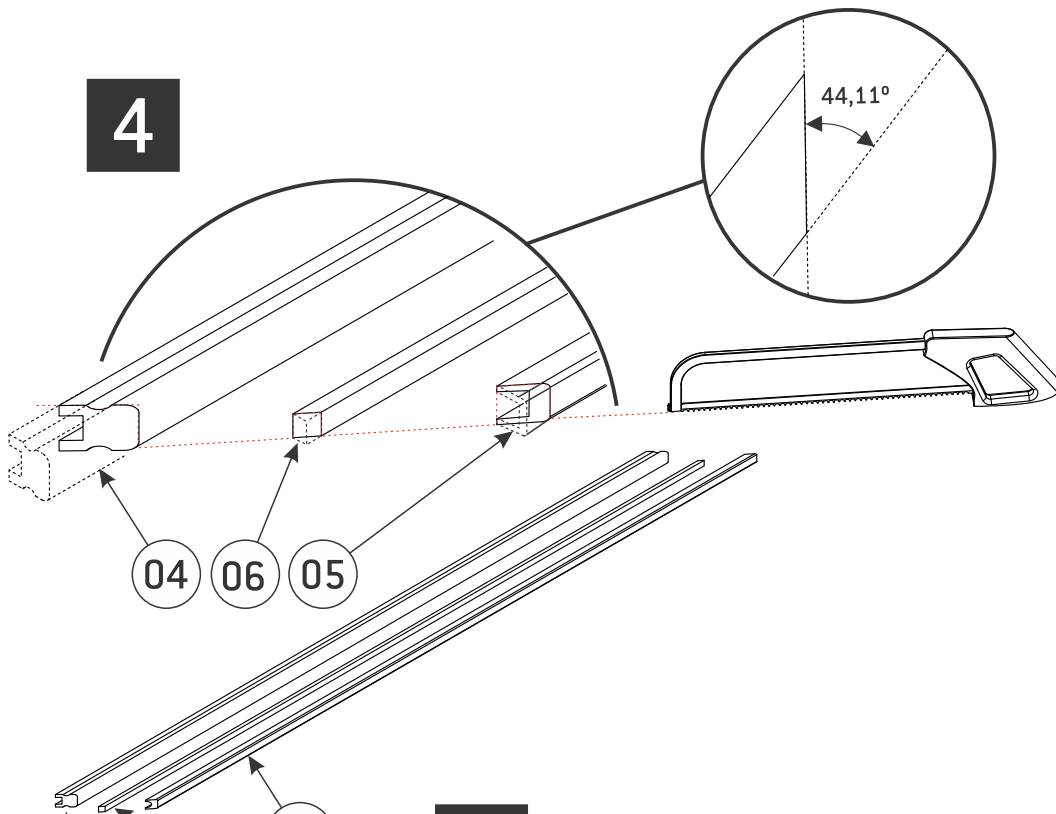


1

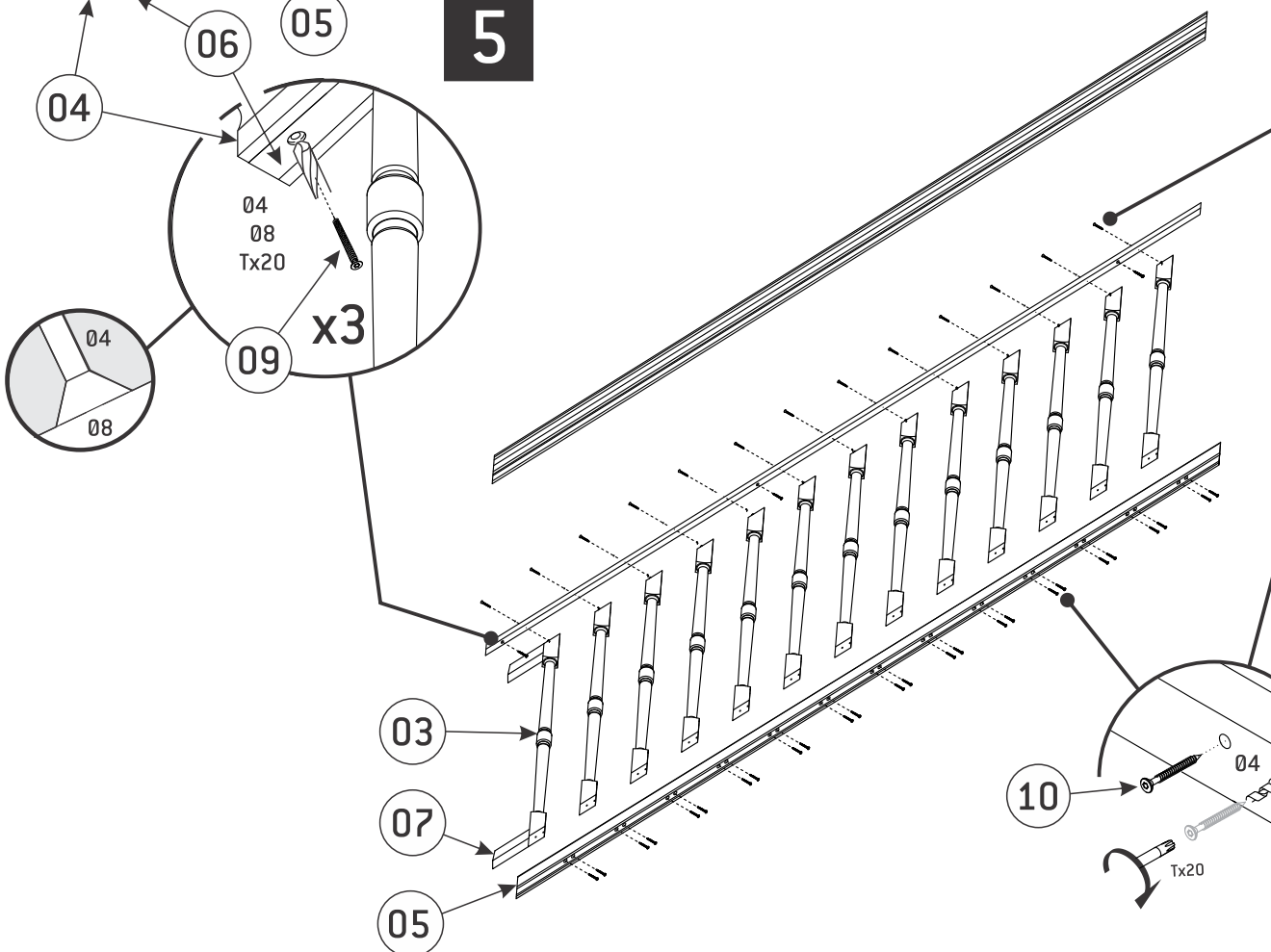




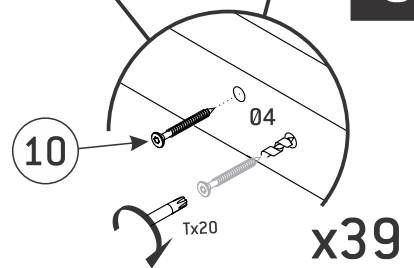
4

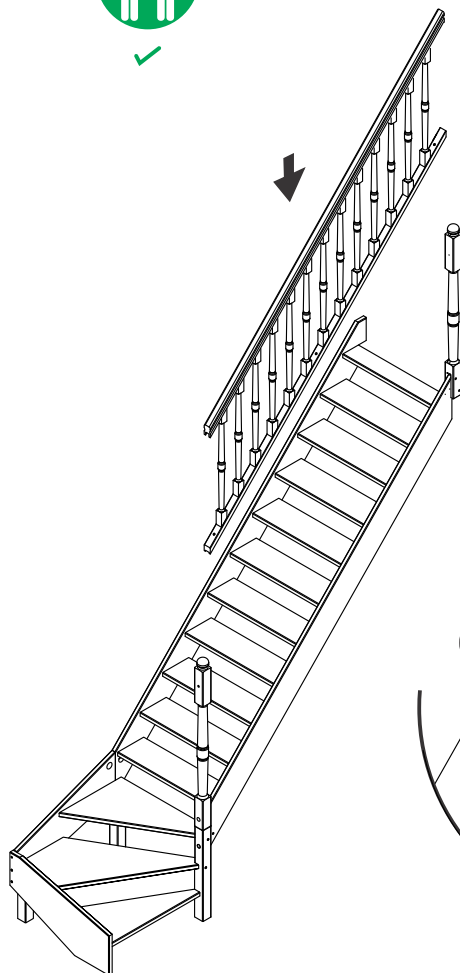


5

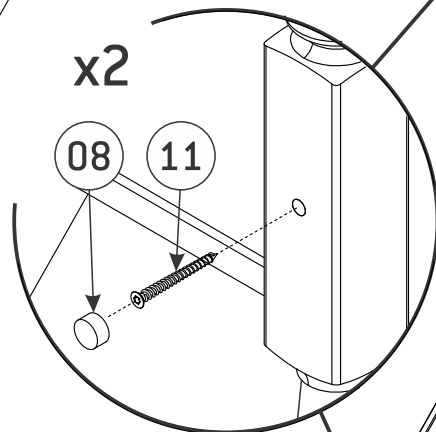


6





6

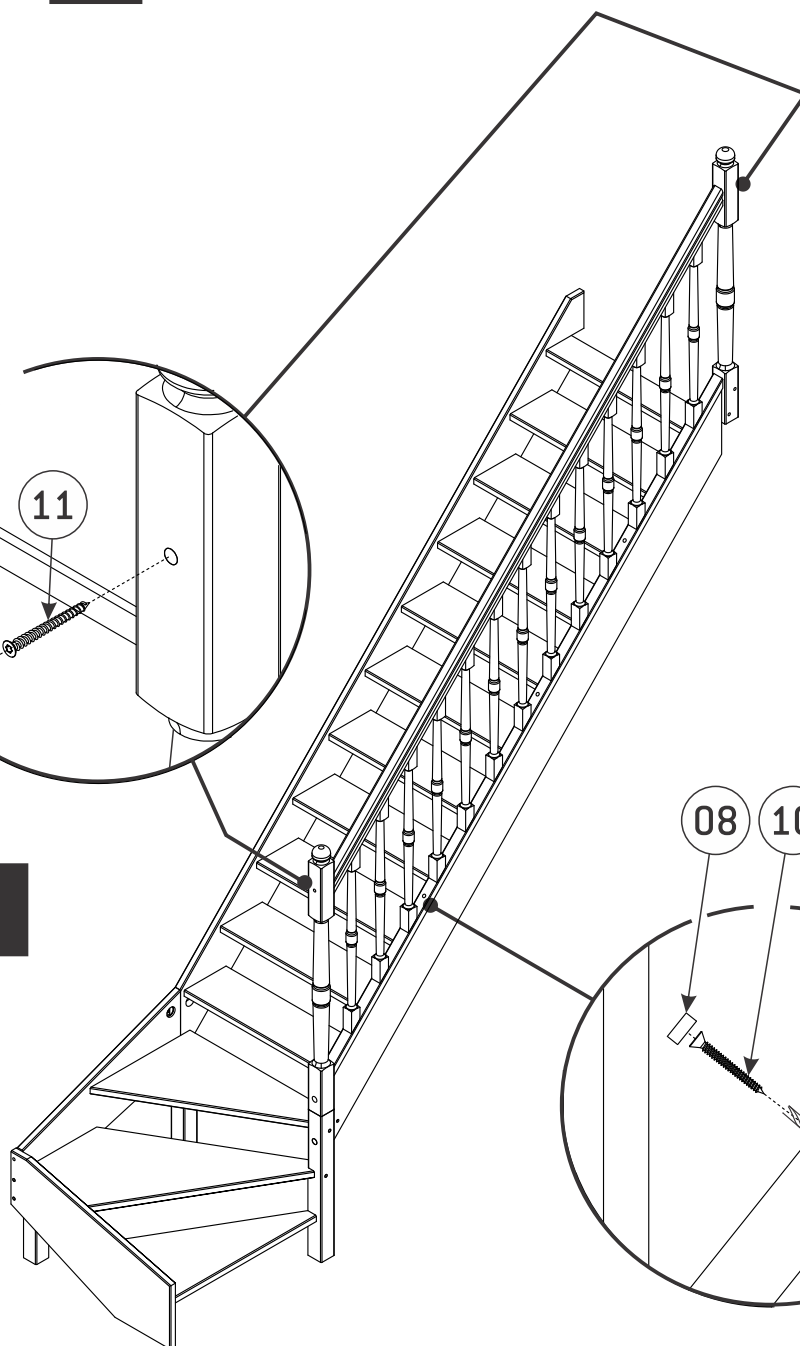


x2

08

11

7



08

10

x3

012

04

Producent: SOGEM Group, Rue Grimard, 39 B-6061 Montignies-Sur-Sambre (Charleroi) - Belgia
 Dystrybutor: DOLLE Sp. z o.o., ul. Międzyrzecka 149, 43-382 Bielsko-Biała, Polska
 Tel. 33 827-24-90, E-mail: biuro@dolle.com