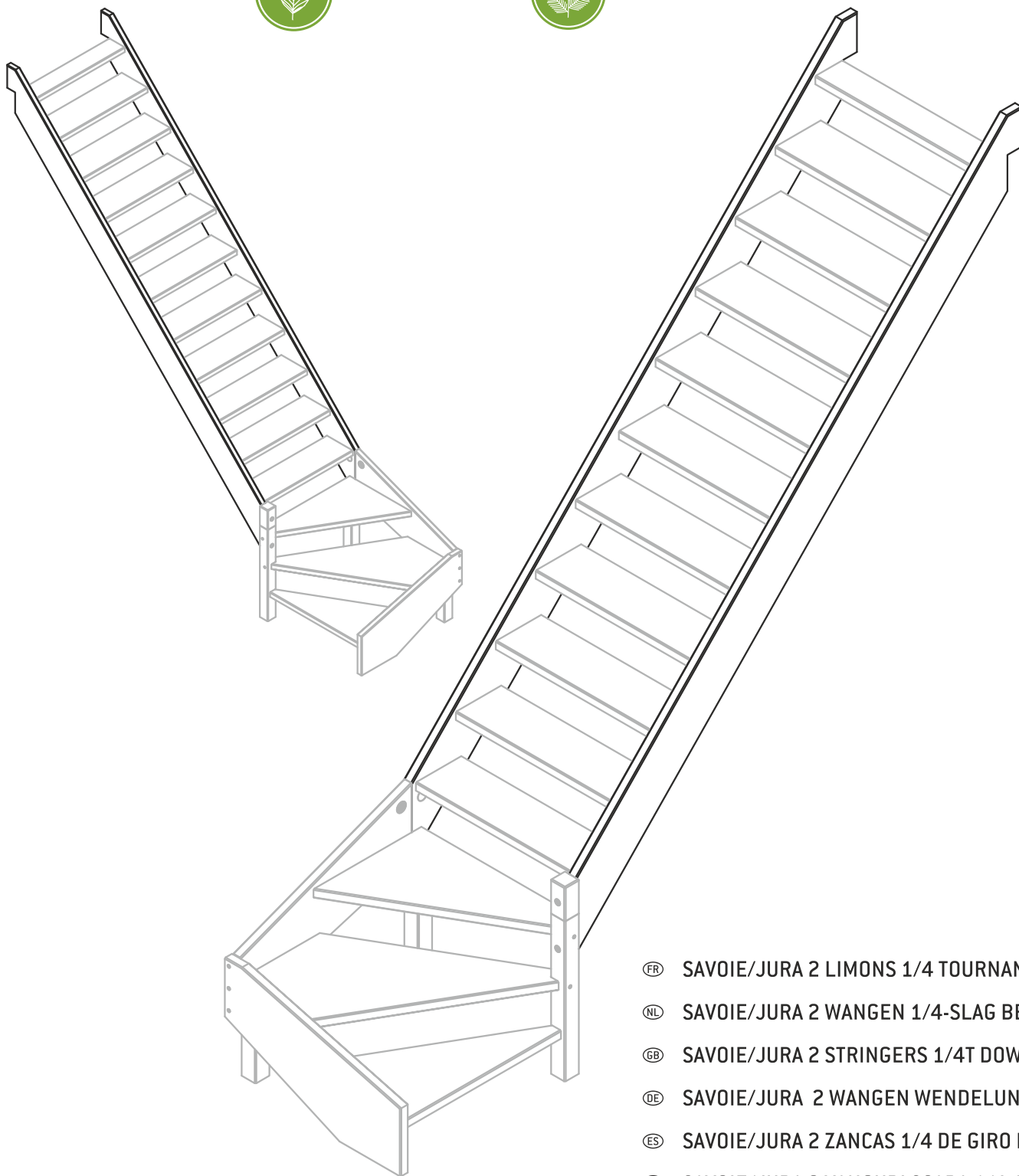
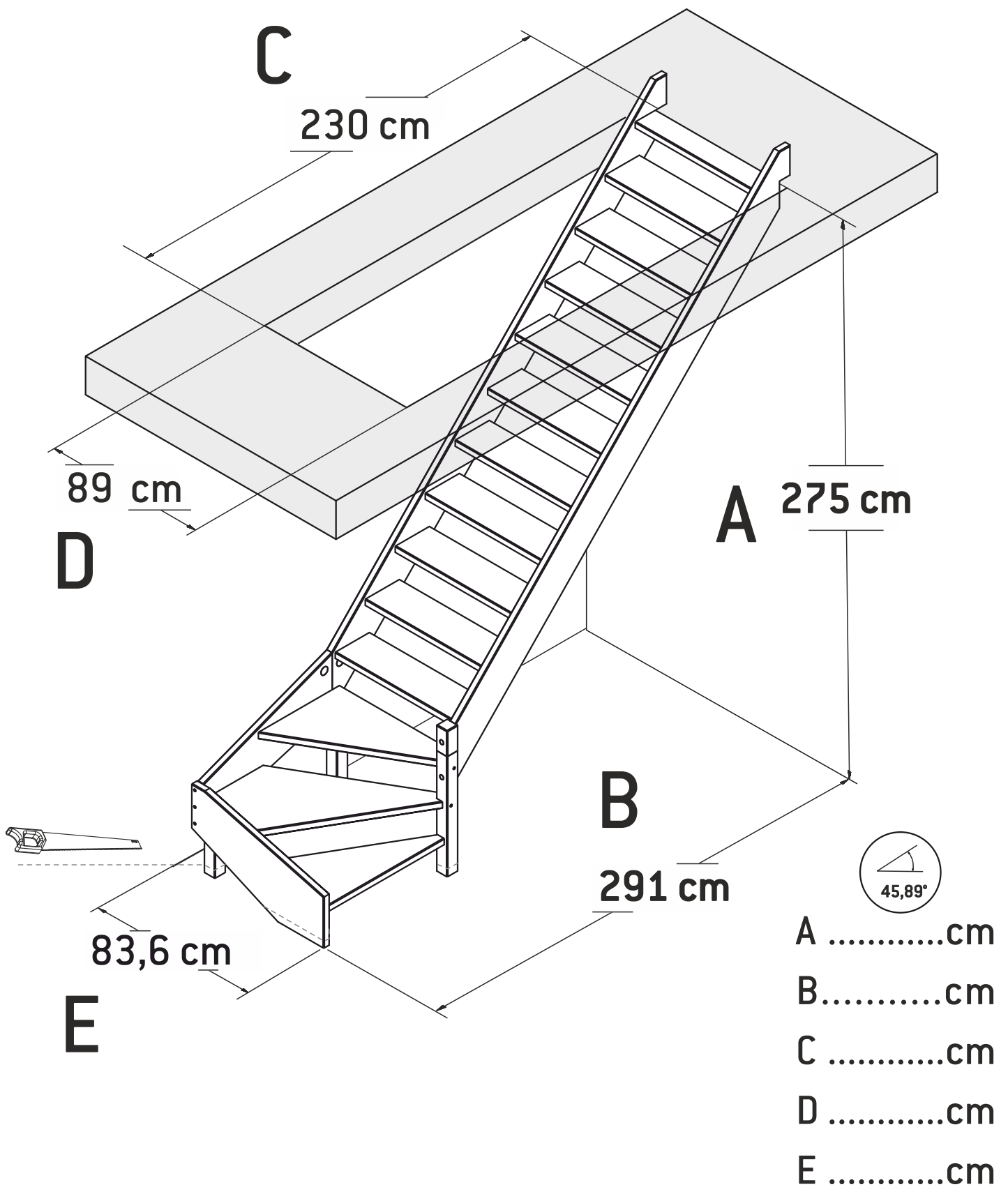


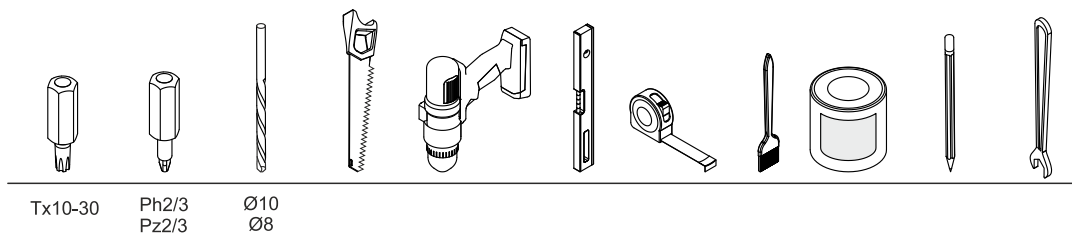
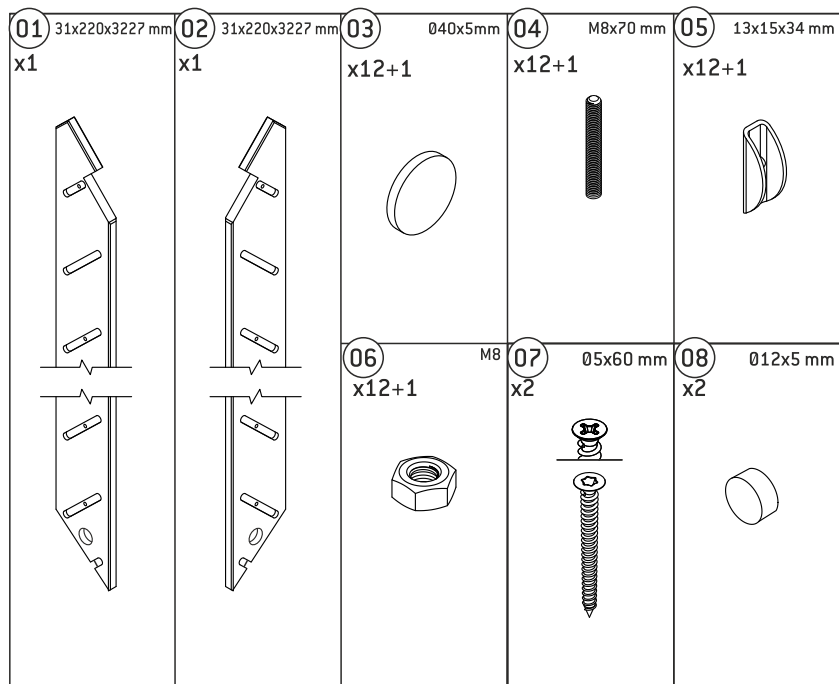
# SAVOIE-JURA 1/4T



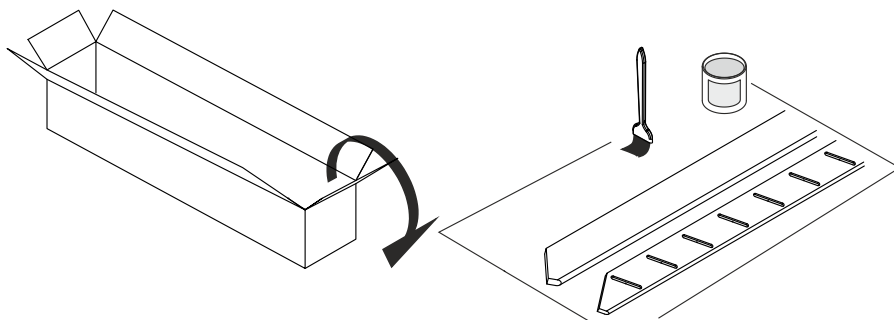
PL SAVOIE/JURA SCHODY Z ZABIEGIEM 1/4 DOLNYM

- FR SAVOIE/JURA 2 LIMONS 1/4 TOURNANT BAS
- NL SAVOIE/JURA 2 WANGEN 1/4-SLAG BENEDEN
- GB SAVOIE/JURA 2 STRINGERS 1/4T DOWN
- DE SAVOIE/JURA 2 WANGEN WENDELUNG UNTEN
- ES SAVOIE/JURA 2 ZANCAS 1/4 DE GIRO BAJO
- RO SAVOIE/JURA 2 VANGURI SCARA 1/4 JOS
- LT SAVOIE/JURA LAIPTŲ SU POSŪKIŲ TIESIOSIOS DALIES ŠONINIAI UŽDENGIMAI

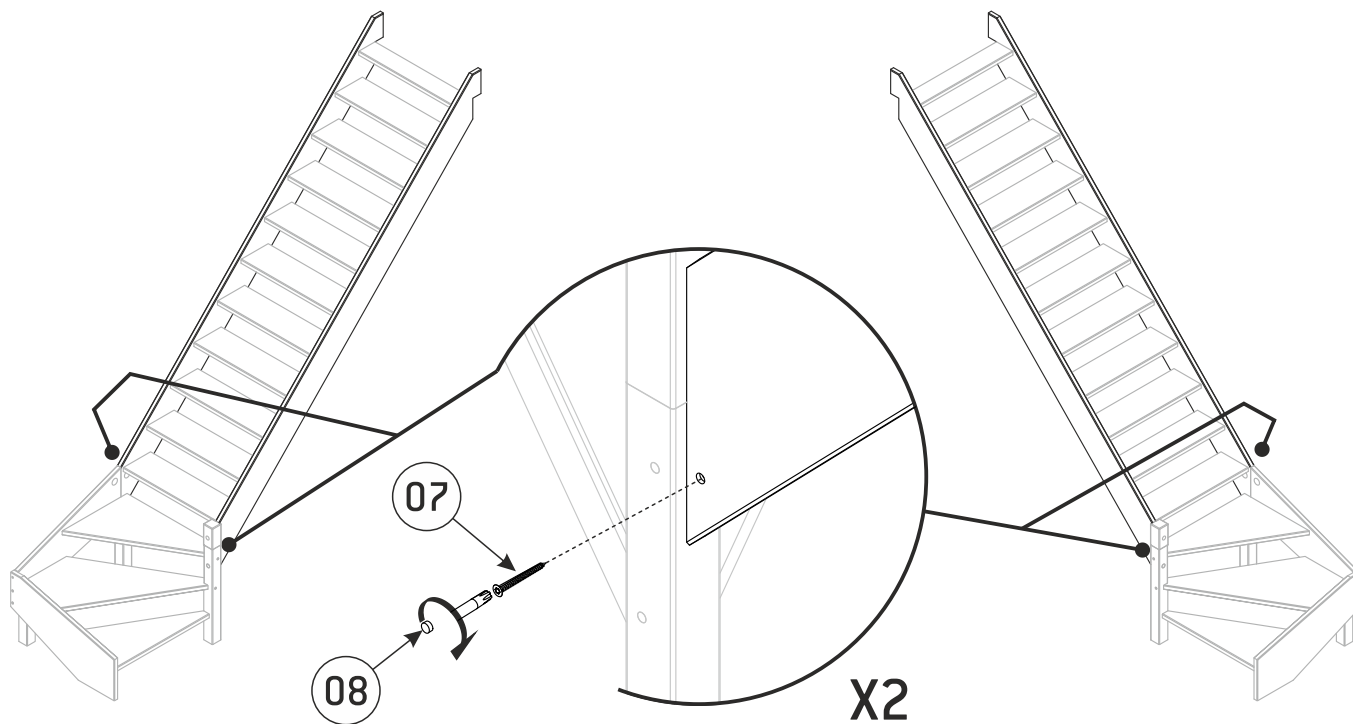
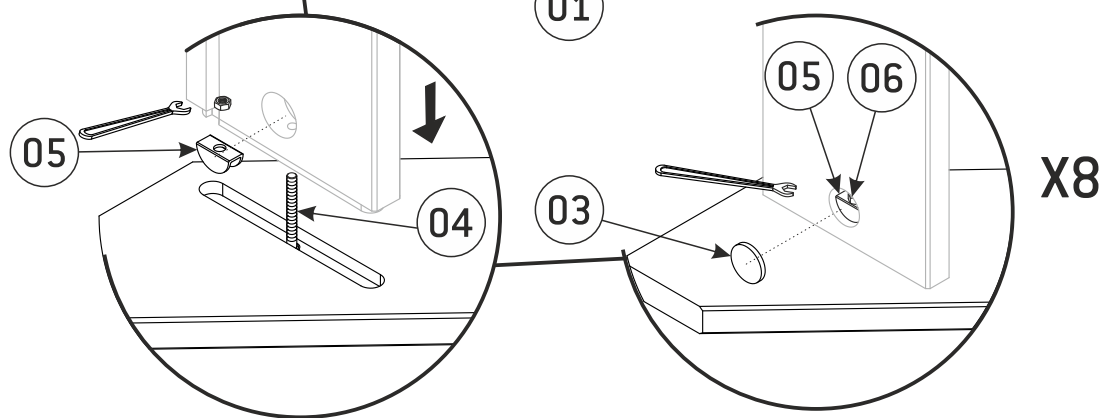
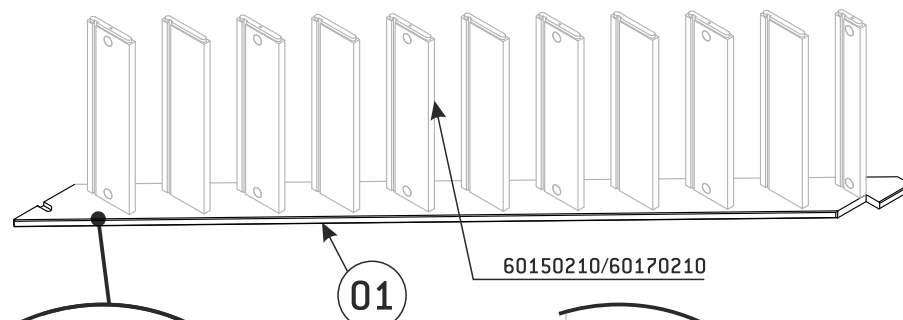




## 1



2



Producent: SOGEM Group, Rue Grimard, 39 B-6061 Montignies-Sur-Sambre (Charleroi) - Belgia  
 Dystrybutor: DOLLE Sp. z o.o., ul. Międzyrzeczka 149, 43-382 Bielsko-Biała, Polska  
 Tel. 33 827-24-90, E-mail: biuro@dolle.com

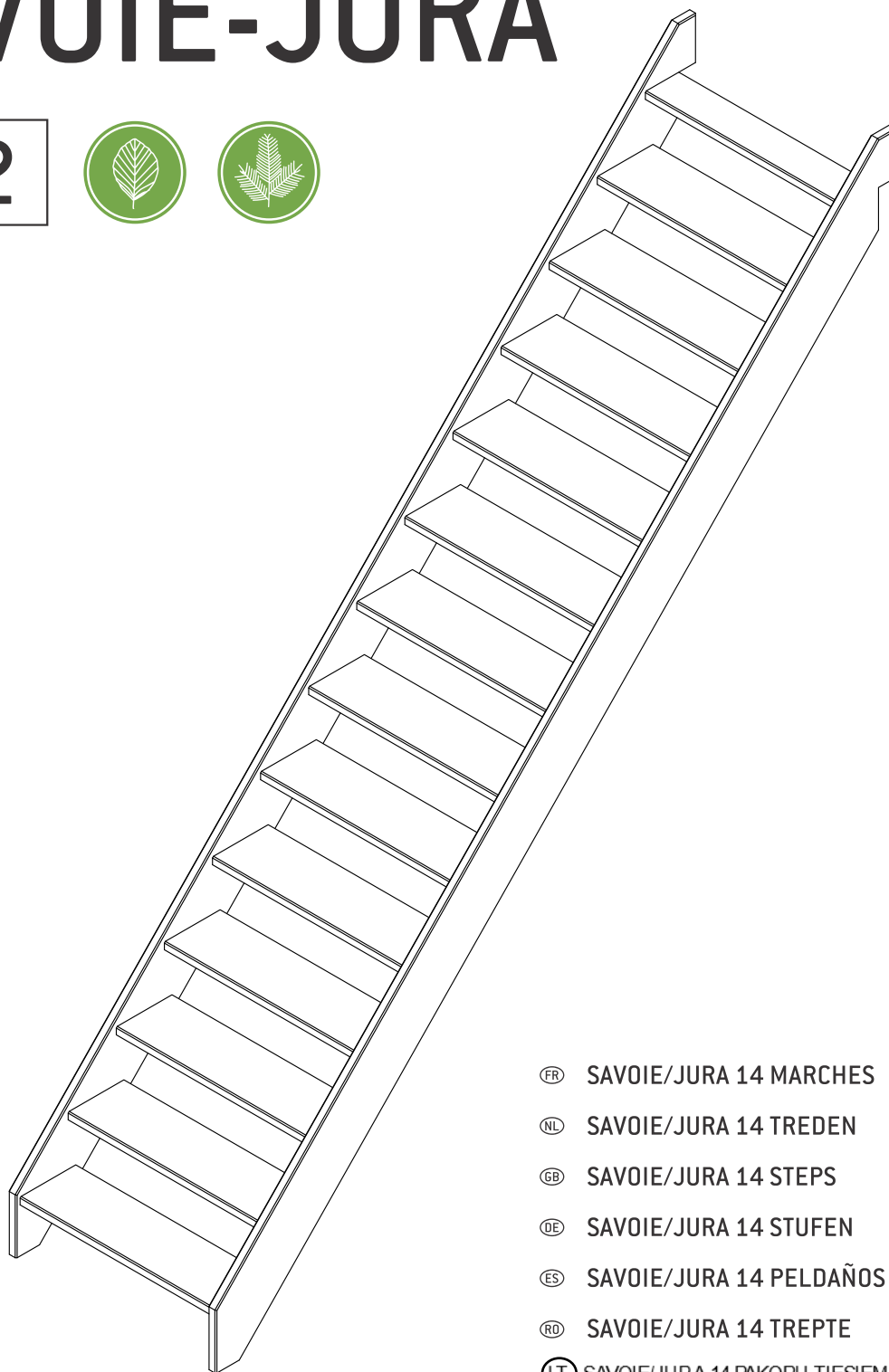
SO GEM

DOLLE®

# SAVOIE-JURA

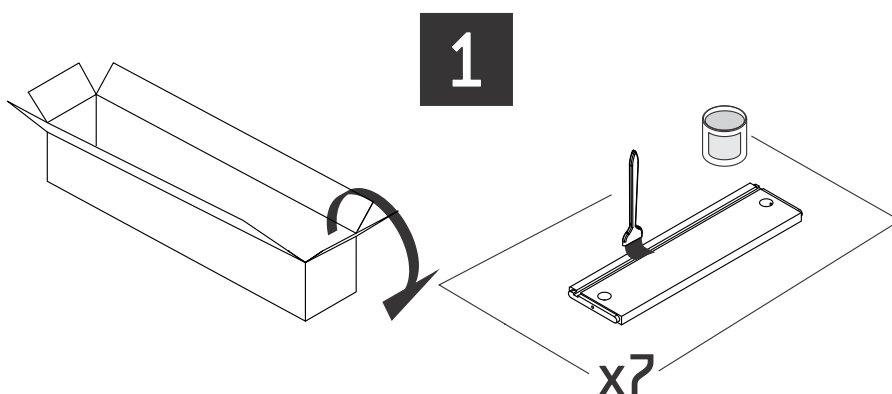
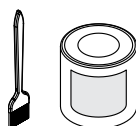
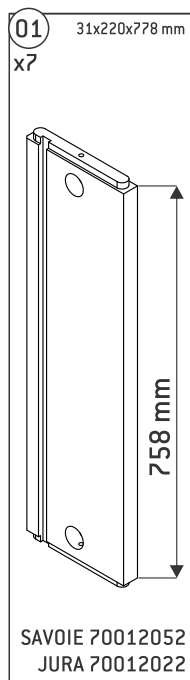
1

2



- Ⓡ SAVOIE/JURA 14 MARCHES
- Ⓡ SAVOIE/JURA 14 TREDEN
- Ⓡ SAVOIE/JURA 14 STEPS
- Ⓡ SAVOIE/JURA 14 STUFEN
- Ⓡ SAVOIE/JURA 14 PELDAÑOS
- Ⓡ SAVOIE/JURA 14 TREPTE
- Ⓡ SAVOIE/JURA 14 PAKOPŲ TIESIEMS LAIPTAMS
- Ⓡ SAVOIE/JURA 14 STOPNI

**1** **2**

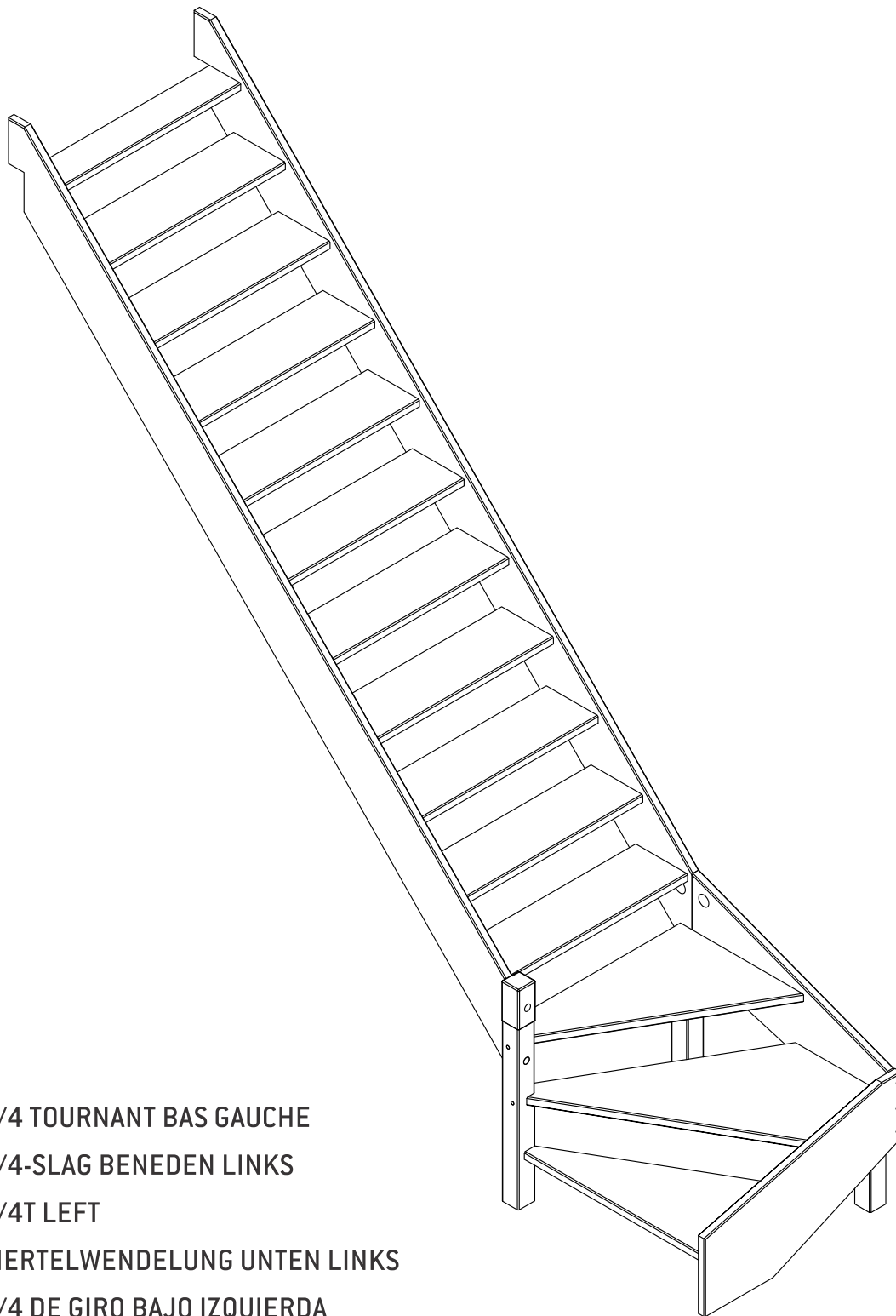


Producent: SOGEM Group, Rue Grimard, 39 B-6061 Montignies-Sur-Sambre (Charleroi) - Belgia  
 Dystrybucja: DOLLE Sp. z o.o., ul. Międzyrzecka 149, 43-382 Bielsko-Biała, Polska  
 Tel. 33 827-24-90, E-mail: biuro@dolle.com

SOGEM

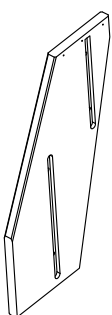
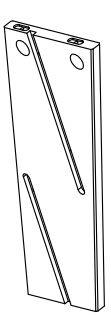
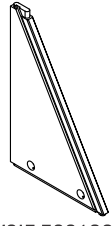
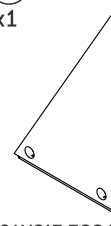
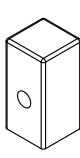
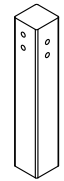
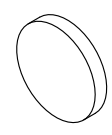
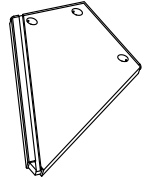
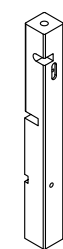






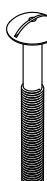
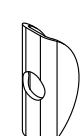








DOLLE

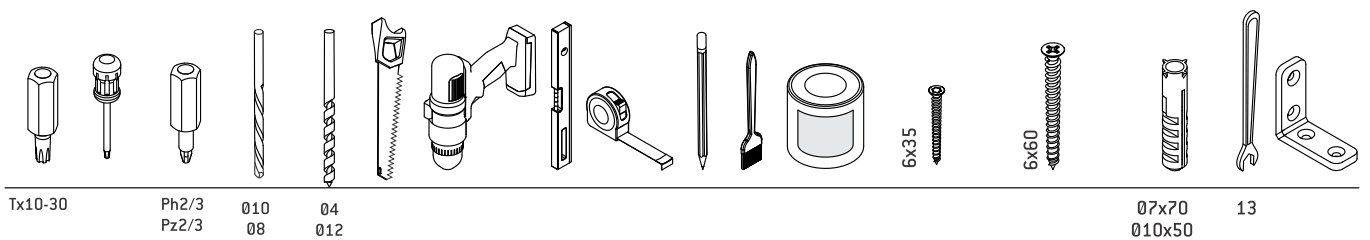
# SAVOIE-JURA



- Ⓡ FR SAVOIE/JURA 1/4 TOURNANT BAS GAUCHE
- Ⓡ NL SAVOIE/JURA 1/4-SLAG BENEDEN LINKS
- Ⓡ GB SAVOIE/JURA 1/4T LEFT
- Ⓡ DE SAVOIE/JURA VIERTELWENDELUNG UNTEN LINKS
- Ⓡ ES SAVOIE/JURA 1/4 DE GIRO BAJO IZQUIERDA
- Ⓡ RO SAVOIE/JURA 1/4 T STANGA JOS
- Ⓡ LT SAVOIE/JURA APATINIS 1/4 POSŪKISĮ KAIRĖ
- Ⓡ PL SAVOIE/JURA ZABIEG 1/4 LEWY

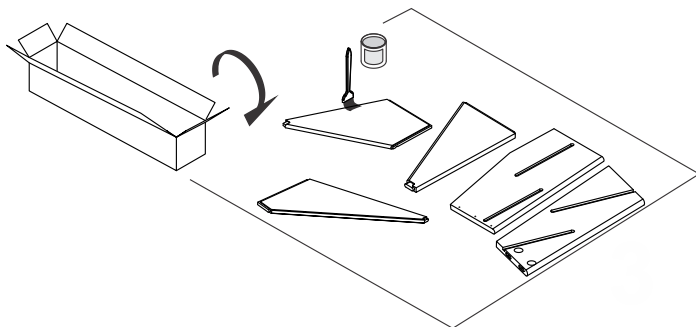
## SAVOIE+JURA QT BAS GAUCHE

|                                                                                                                                                           |                                                                                                                                                           |                                                                                                                                                           |                                                                                                                                                            |                                                                                                                      |                                                                                                                   |                                                                                                                                                                                                                                                                                                                                                                                                                                               |
|-----------------------------------------------------------------------------------------------------------------------------------------------------------|-----------------------------------------------------------------------------------------------------------------------------------------------------------|-----------------------------------------------------------------------------------------------------------------------------------------------------------|------------------------------------------------------------------------------------------------------------------------------------------------------------|----------------------------------------------------------------------------------------------------------------------|-------------------------------------------------------------------------------------------------------------------|-----------------------------------------------------------------------------------------------------------------------------------------------------------------------------------------------------------------------------------------------------------------------------------------------------------------------------------------------------------------------------------------------------------------------------------------------|
| <p>01 31x483x836 mm<br/>x1</p>  <p>SAVOIE 70012057<br/>JURA 70012027</p> | <p>02 31x563x828 mm<br/>x1</p>  <p>SAVOIE 70012058<br/>JURA 70012028</p> | <p>03 31x523x782 mm<br/>x1</p>  <p>SAVOIE 70012059<br/>JURA 70012029</p> | <p>05 31x482x782 mm<br/>x1</p>  <p>SAVOIE 70012060<br/>JURA 70012030</p>  | <p>07 70x70x140 mm<br/>x1</p>      | <p>09 70x70x367 mm<br/>x1</p>  | <p>11 040 x 6 mm<br/>x11+1</p>                                                                                                                                                                                                                                                                                                                             |
|                                                                                                                                                           |                                                                                                                                                           | <p>04 31x752x827 mm<br/>x1</p>  <p>SAVOIE 70012061<br/>JURA 70012031</p> | <p>06 70x70x663,5 mm<br/>x1</p>  <p>SAVOIE 70012062<br/>JURA 70012032</p> | <p>08 70x70x563 mm<br/>x1</p>      | <p>10 020 x 50 mm<br/>x1</p>   | <p>12 020 x 6 mm<br/>x2</p>                                                                                                                                                                                                                                                                                                                                |
| <p>13 012 x 6 mm<br/>x12</p>                                           | <p>14 08 x 110 mm<br/>x1</p>                                           | <p>15 08 x 70 mm<br/>x8</p>                                            | <p>16 08 x 70 mm<br/>x1</p>                                             | <p>17 1.5x11x18.6mm<br/>x11</p>  | <p>18 M8<br/>x11</p>         |                                                                                                                                                                                                                                                                                                                                                                                                                                               |
| <p>19 05x60 mm<br/>x12+2</p>  <p>70031053</p>                          | <p>20 08 x 110 mm<br/>x1</p>                                           |                                                                                                                                                           |                                                                                                                                                            |                                                                                                                      |                                                                                                                   |      |

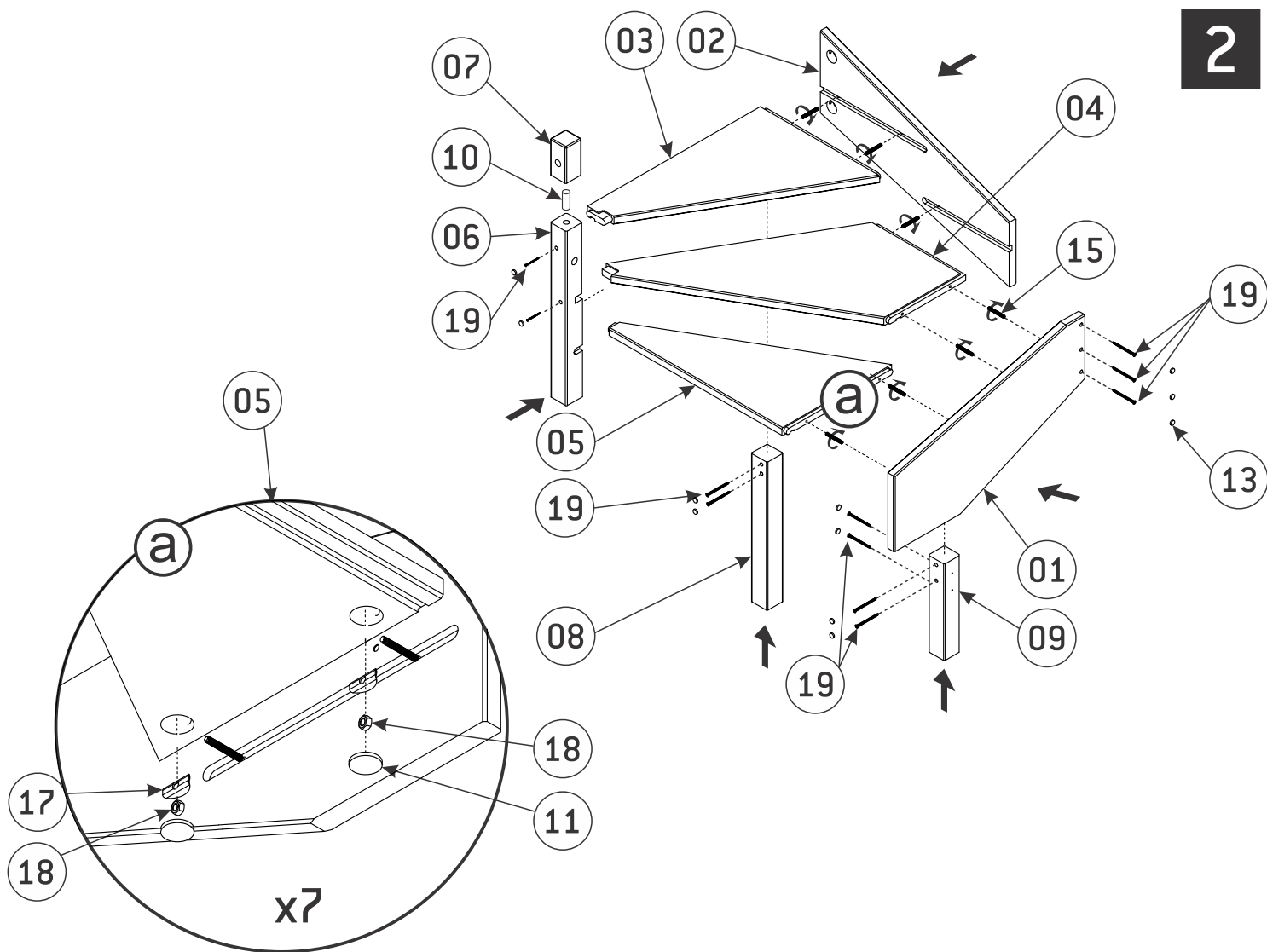


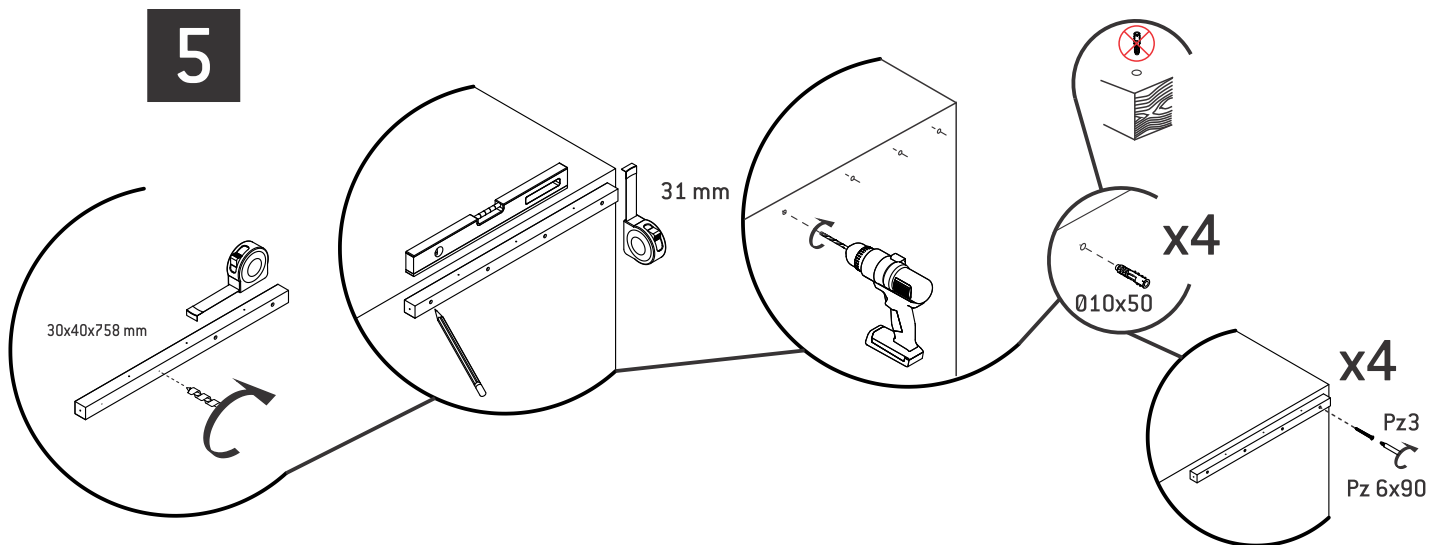
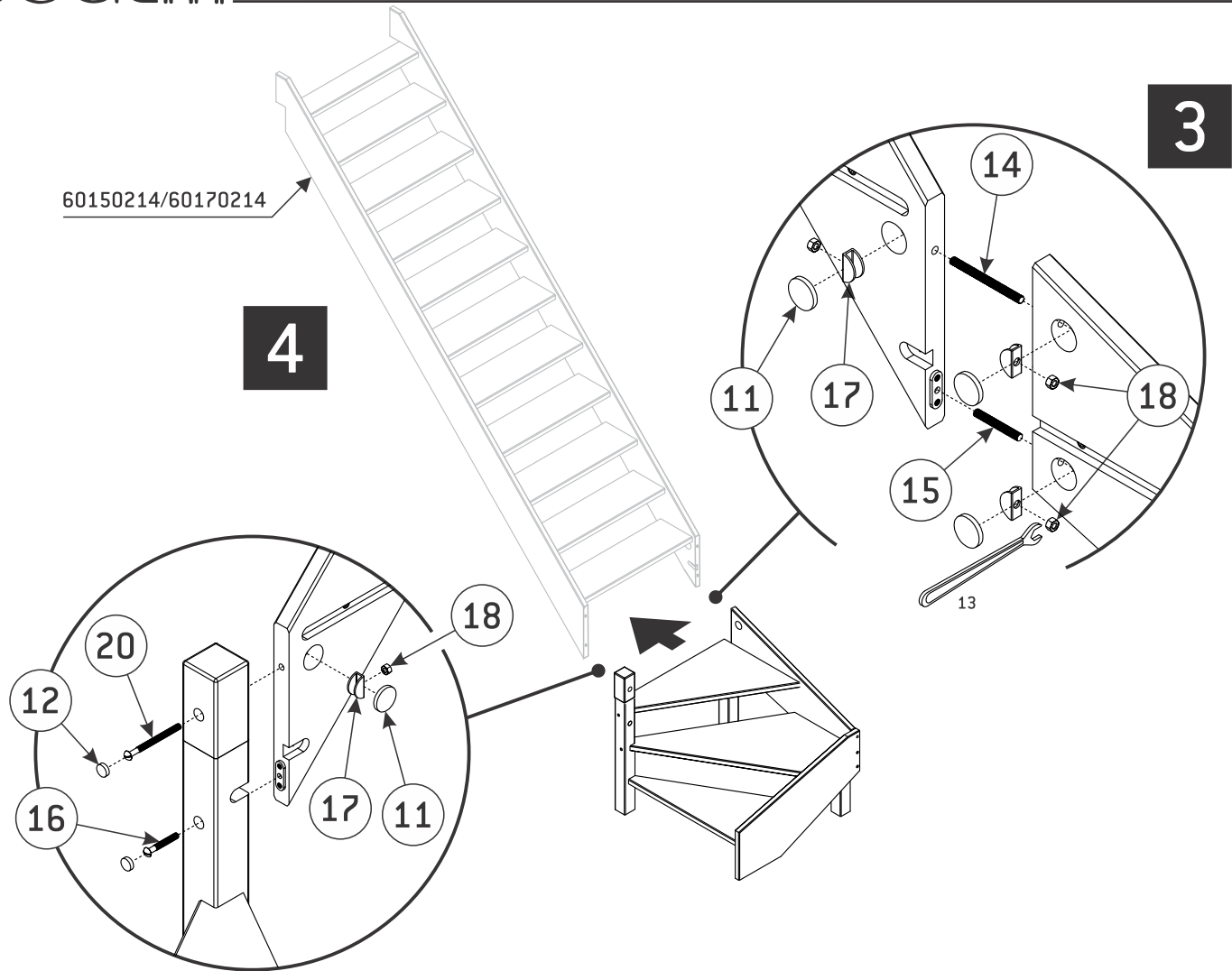


1

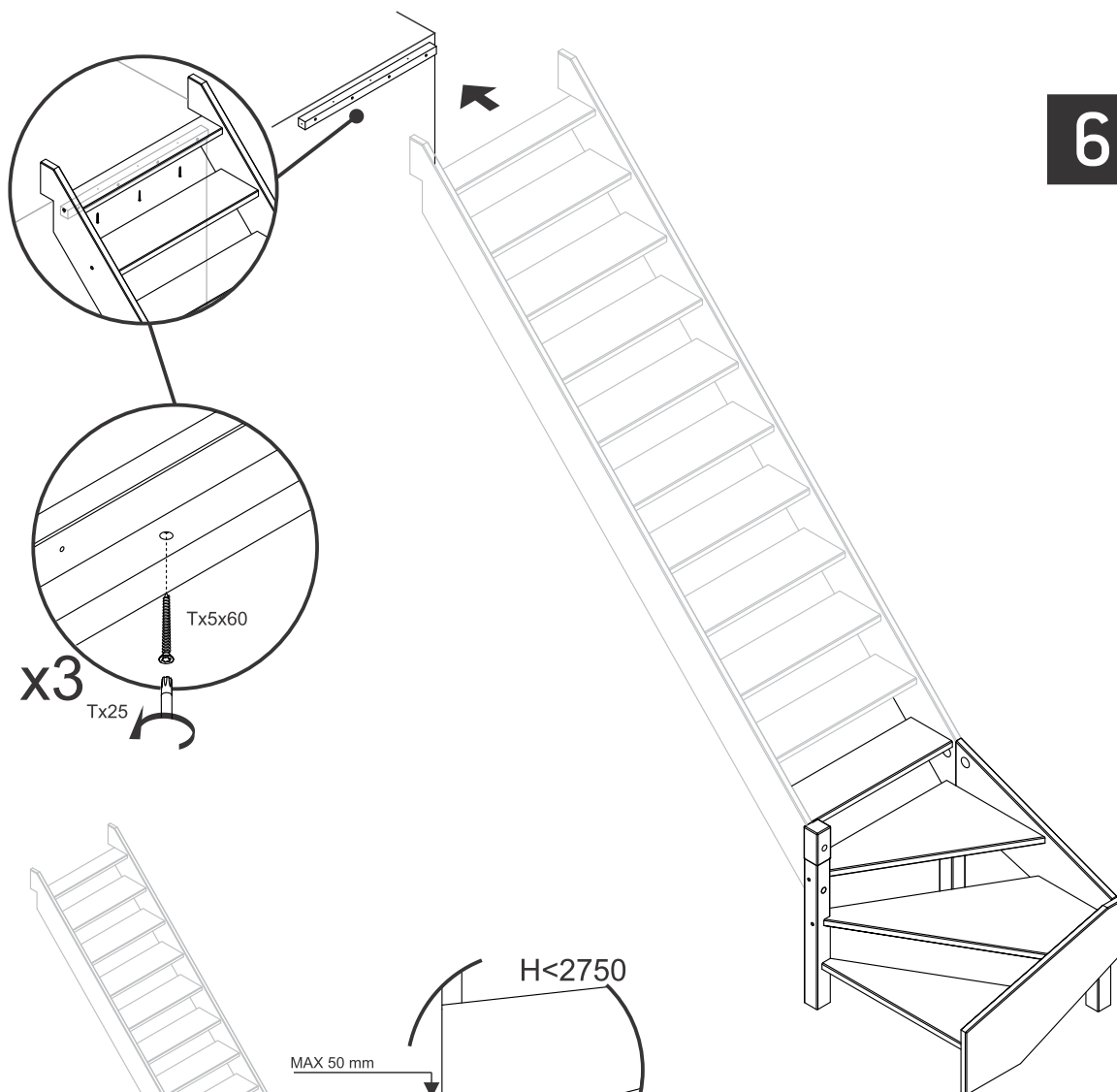


2

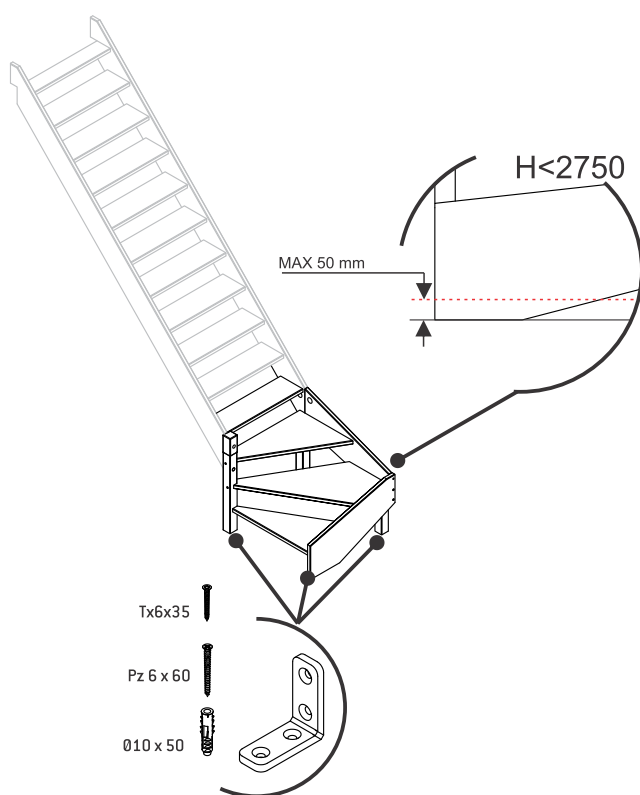




6



7

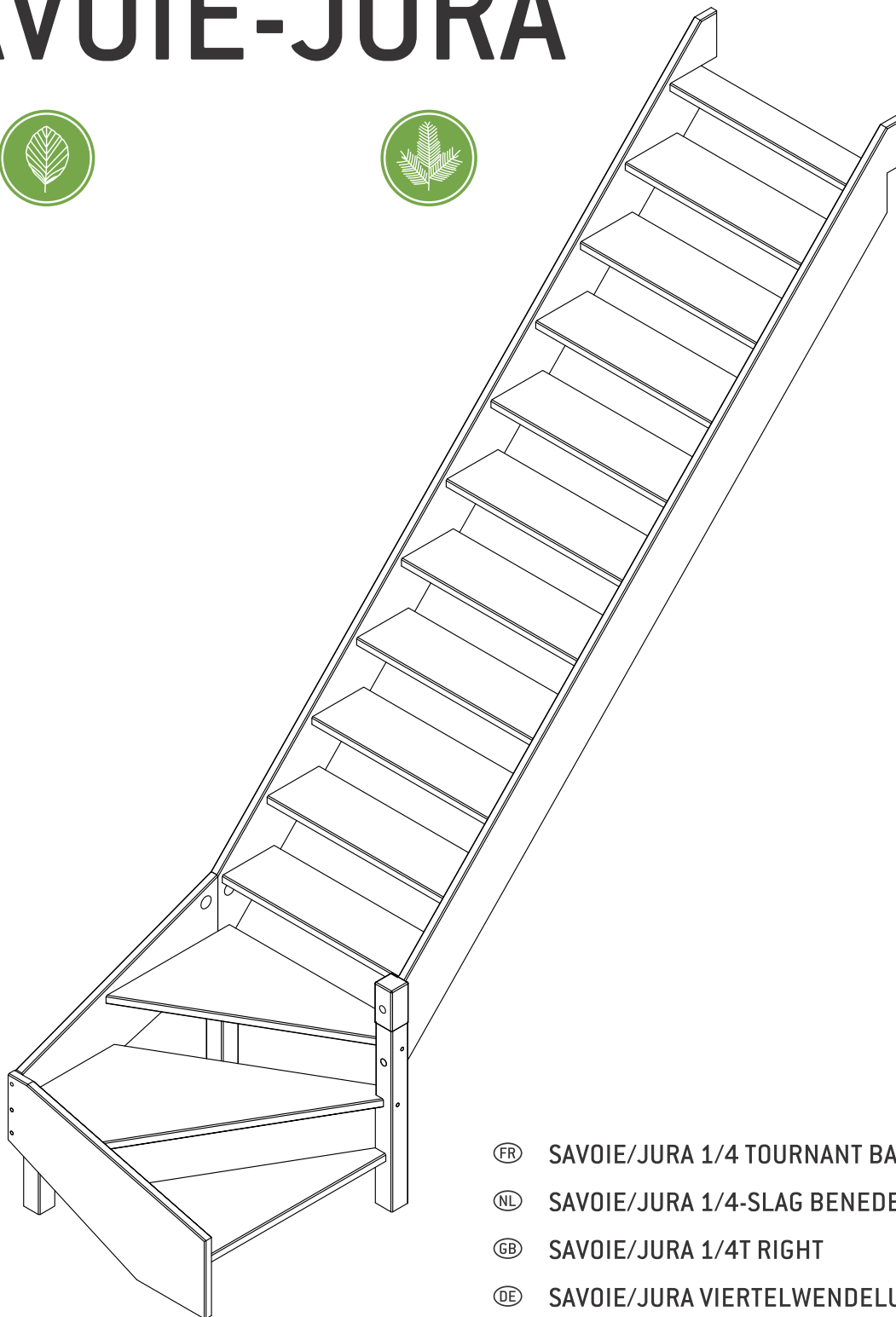


Producent: SOGEM Group, Rue Grimard, 39 B-6061 Montignies-Sur-Sambre (Charleroi) - Belgia  
 Dystrybucja: DOLLE Sp. z o.o., ul. Międzyrzecka 149, 43-382 Bielsko-Biała, Polska  
 Tel. 33 827-24-90, E-mail: biuro@dolle.com

SOGEM

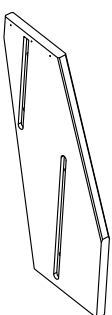

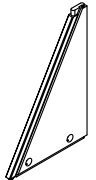
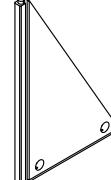
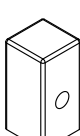
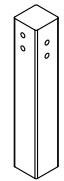
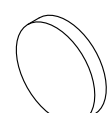
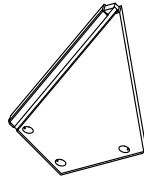
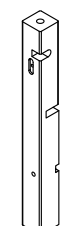

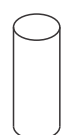




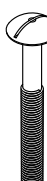
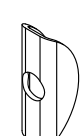



DOLLE®

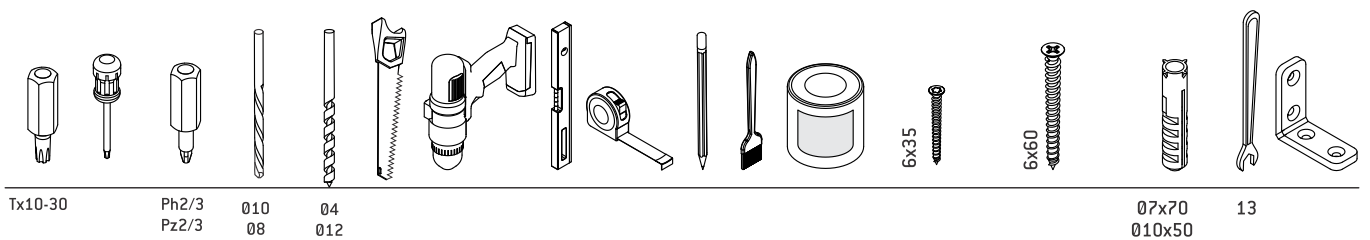
# SAVOIE-JURA



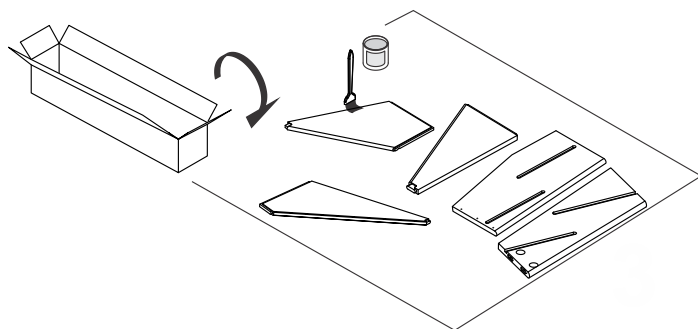
- Ⓣ SAVOIE/JURA 1/4 TOURNANT BAS DROITE
- Ⓝ SAVOIE/JURA 1/4-SLAG BENEDEN RECHTS
- ⓖ SAVOIE/JURA 1/4T RIGHT
- Ⓝ SAVOIE/JURA VIERTELWENDELUNG UNTEN RECHTS
- Ⓝ SAVOIE/JURA 1/4 DE GIRO BAJO DERECHA
- Ⓝ SAVOIE/JURA 1/4 T DREAPTA JOS
- Ⓝ SAVOIE/JURA APATINIS 1/4 POSŪKIS Į DEŠNĘ

Ⓝ SAVOIE/JURA ZABIEG 1/4 PRAWY

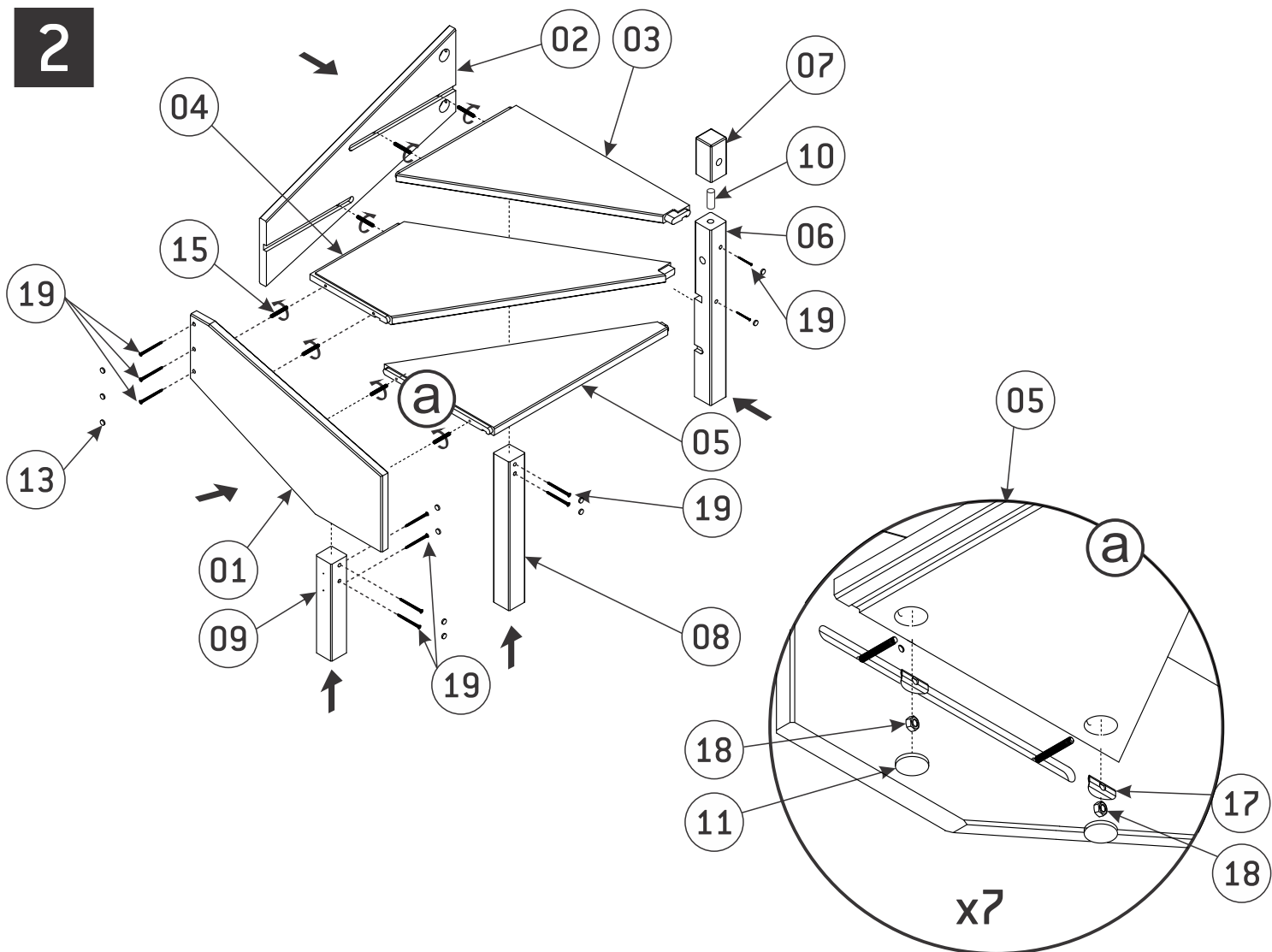
|                                                                                                                                                           |                                                                                                                                                           |                                                                                                                                                           |                                                                                                                                                            |                                                                                                                      |                                                                                                                   |                                                                                                                    |
|-----------------------------------------------------------------------------------------------------------------------------------------------------------|-----------------------------------------------------------------------------------------------------------------------------------------------------------|-----------------------------------------------------------------------------------------------------------------------------------------------------------|------------------------------------------------------------------------------------------------------------------------------------------------------------|----------------------------------------------------------------------------------------------------------------------|-------------------------------------------------------------------------------------------------------------------|--------------------------------------------------------------------------------------------------------------------|
| <p>01 31x483x836 mm<br/>x1</p>  <p>SAVOIE 70012063<br/>JURA 70012033</p> | <p>02 31x563x828 mm<br/>x1</p>  <p>SAVOIE 70012064<br/>JURA 70012034</p> | <p>03 31x523x782 mm<br/>x1</p>  <p>SAVOIE 70012065<br/>JURA 70012035</p> | <p>05 31x482x782 mm<br/>x1</p>  <p>SAVOIE 70012066<br/>JURA 70012036</p>  | <p>07 70x70x140 mm<br/>x1</p>      | <p>09 70x70x367 mm<br/>x1</p>  | <p>11 040 x 6 mm<br/>x11+1</p>  |
|                                                                                                                                                           |                                                                                                                                                           | <p>04 31x752x827 mm<br/>x1</p>  <p>SAVOIE 70012067<br/>JURA 70012037</p> | <p>06 70x70x663,5 mm<br/>x1</p>  <p>SAVOIE 70012068<br/>JURA 70012038</p> | <p>08 70x70x563 mm<br/>x1</p>      | <p>10 020 x 50 mm<br/>x1</p>   | <p>12 020 x 6 mm<br/>x2</p>     |
| <p>13 012 x 6 mm<br/>x12</p>                                           | <p>14 08 x 110 mm<br/>x1</p>                                           | <p>15 08 x 70 mm<br/>x8</p>                                            | <p>16 08 x 70 mm<br/>x1</p>                                             | <p>17 1.5x11x18.6mm<br/>x11</p>  | <p>18 M8<br/>x11</p>         |                                                                                                                    |
| <p>19 05x60 mm<br/>x12+2</p>  <p>70031053</p>                          | <p>20 08 x 110 mm<br/>x1</p>                                           |                                                                                                                                                           |                                                                                                                                                            |                                                                                                                      |                                                                                                                   |                                                                                                                    |



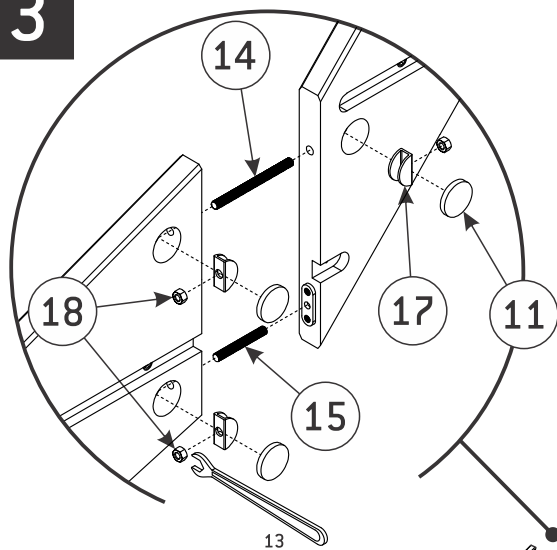
1



2

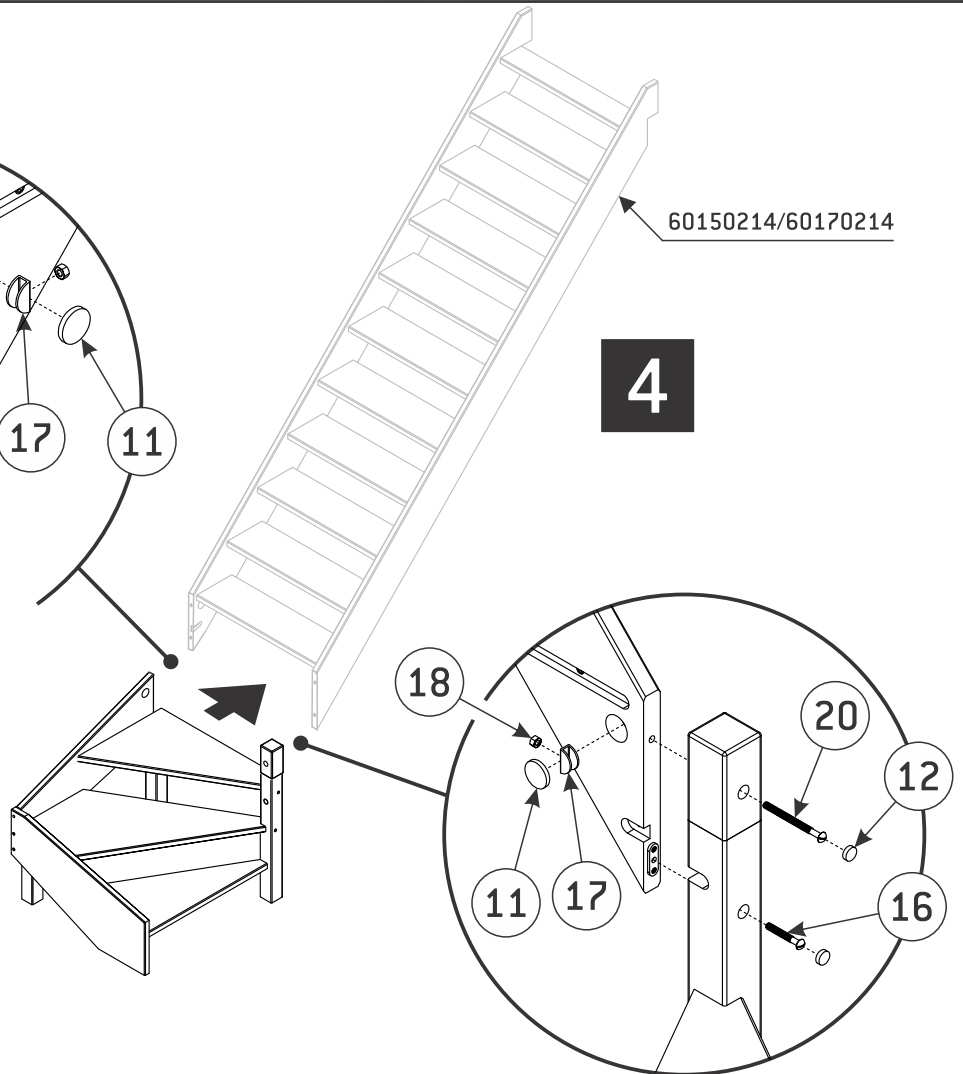


**3**

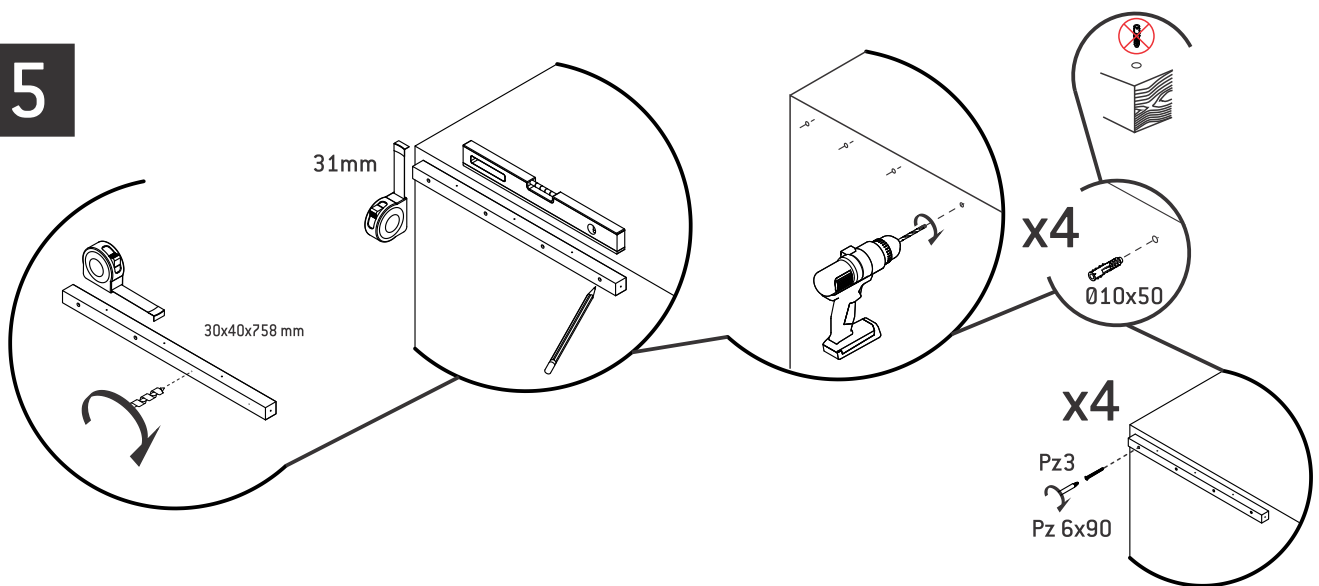


60150214/60170214

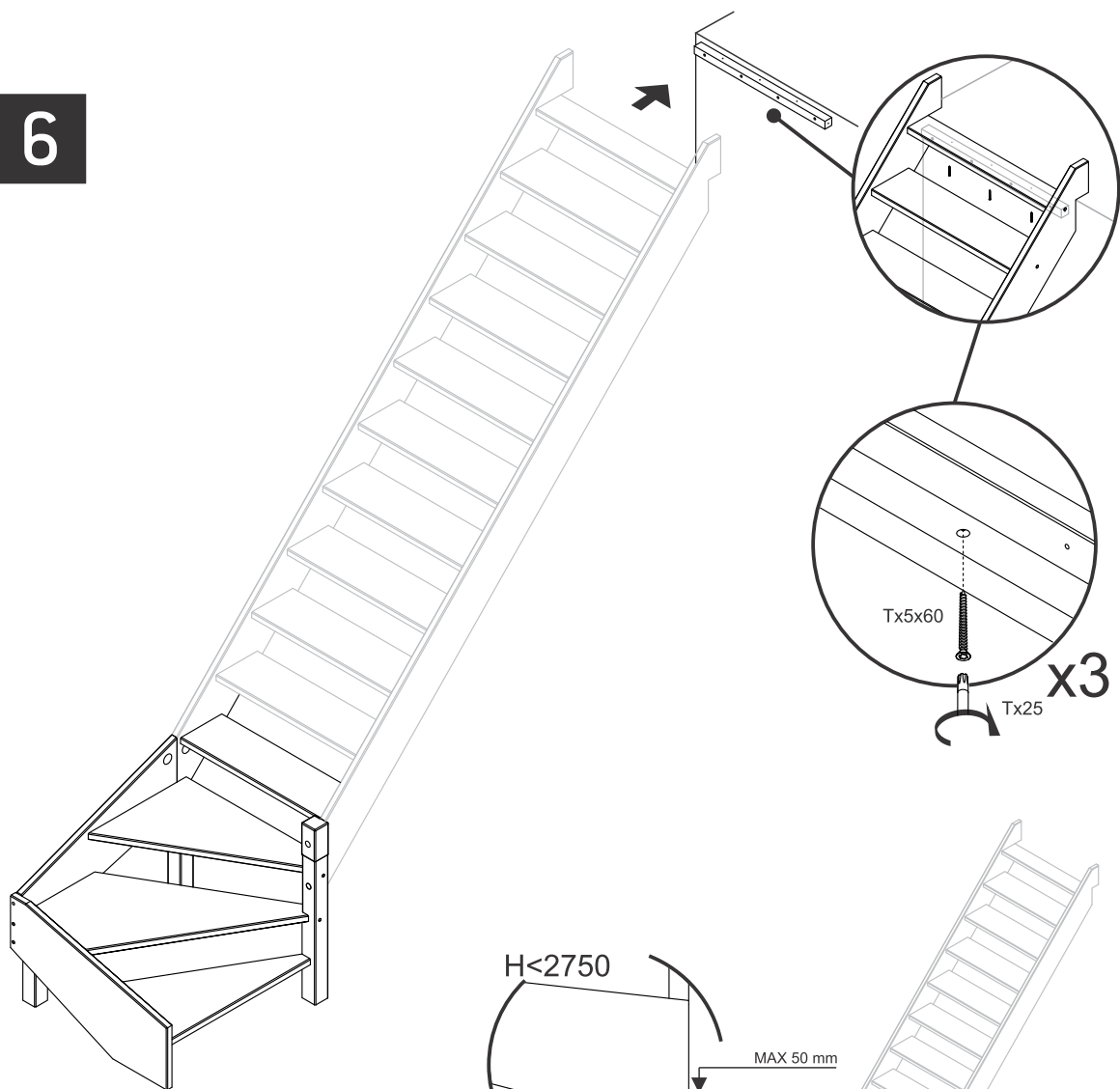
**4**



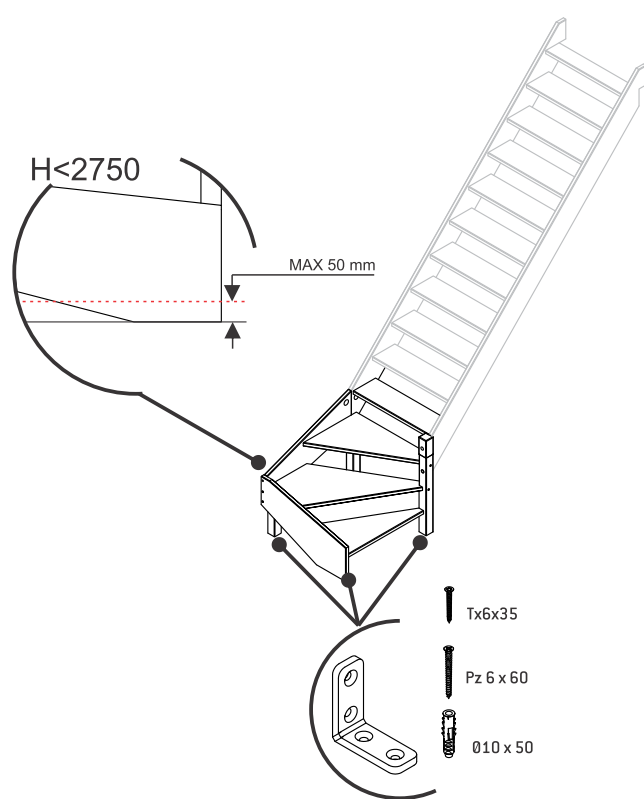
**5**



6



7



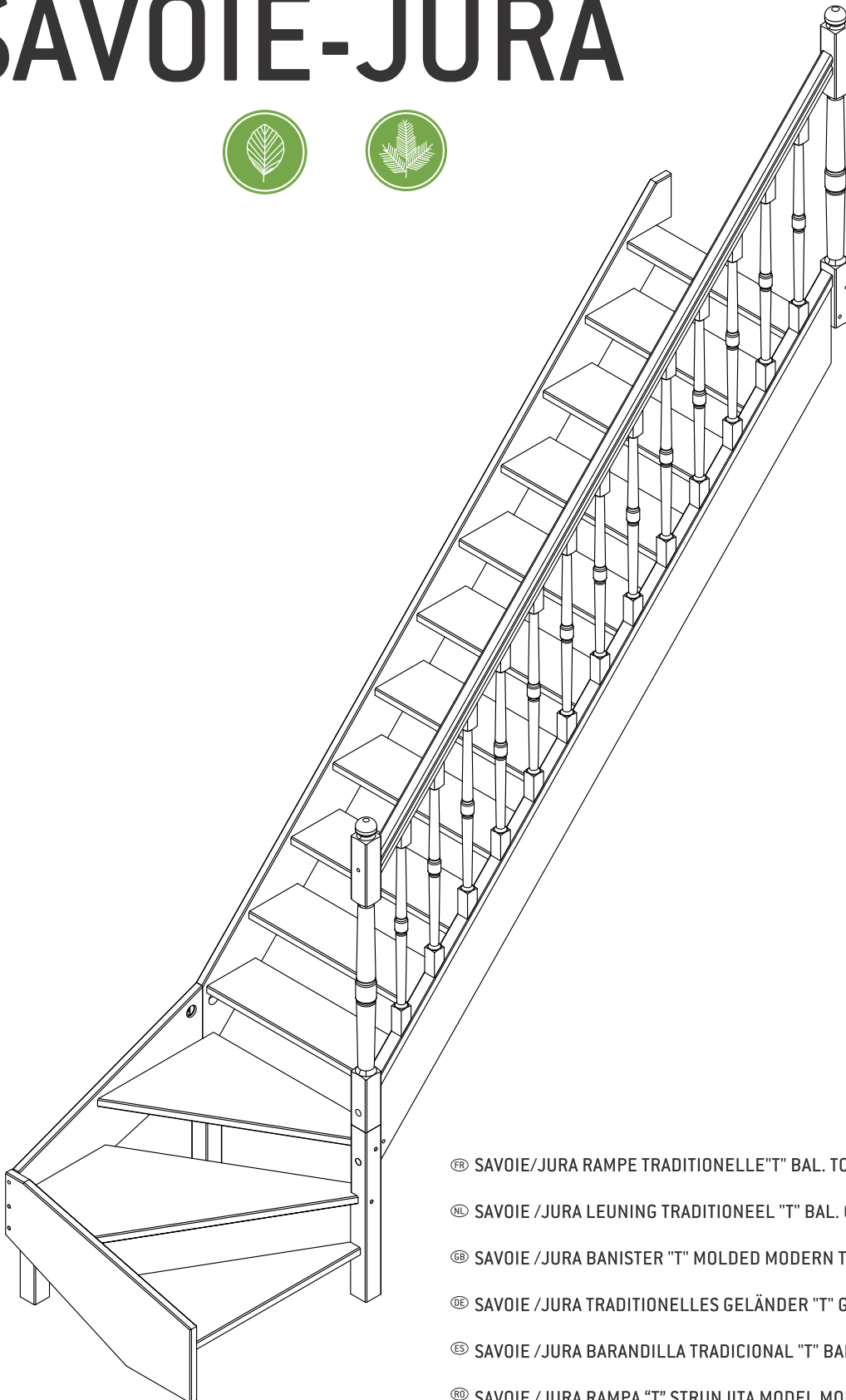
Producent: SOGEM Group, Rue Grimard, 39 B-6061 Montignies-Sur-Sambre (Charleroi) - Belgia  
 Dystrybucja: DOLLE Sp. z o.o., ul. Międzyrzecka 149, 43-382 Bielsko-Biała, Polska  
 Tel. 33 827-24-90, E-mail: biuro@dolle.com



SOGEM

DOLLE®

# SAVOIE-JURA



PL SAVOIE/JURA BALUSTRADA TYP T

FR SAVOIE/JURA RAMPE TRADITIONELLE "T" BAL. TOURNEES ESC. 1/4 TOURNANT

NL SAVOIE /JURA LEUNING TRADITIONEEL "T" BAL. GEDRAAID 1/4-SLAG

GB SAVOIE /JURA BANISTER "T" MOLDED MODERN TYPE 1/4T STAIRCASE

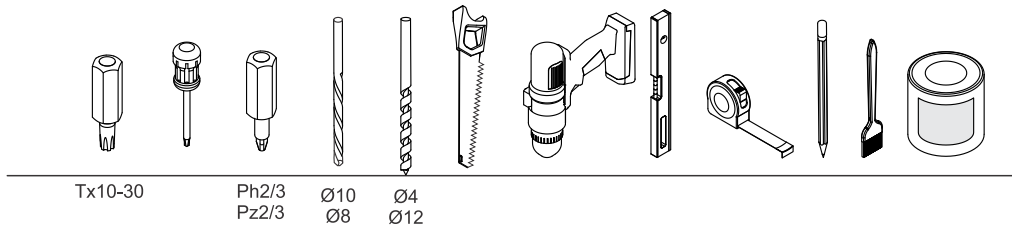
DE SAVOIE /JURA TRADITIONELLES GELÄNDER "T" GEDREHTE STÄBE GEWENDELTE TREPPE

ES SAVOIE /JURA BARANDILLA TRADICIONAL "T" BALAUSTRAS TORNEADOS ESC. 1/4 DE GIRO

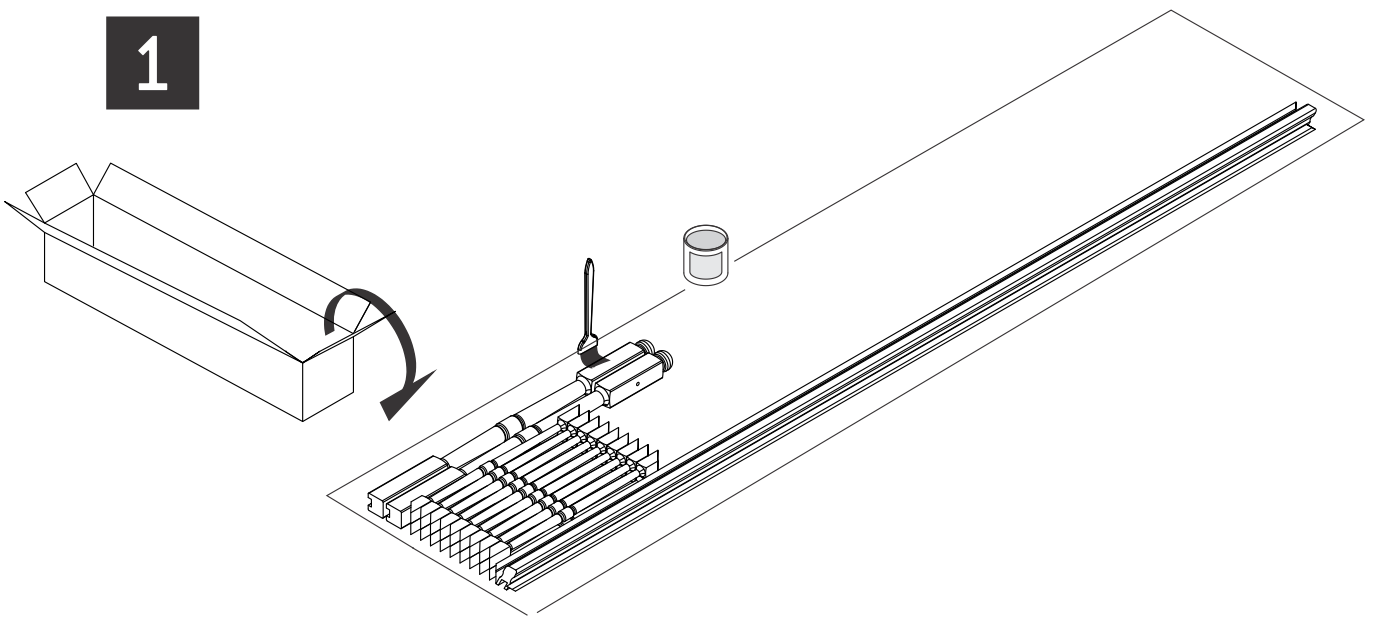
RO SAVOIE /JURA RAMPA "T" STRUNJITA MODEL MODERN SCARA 1/4 T

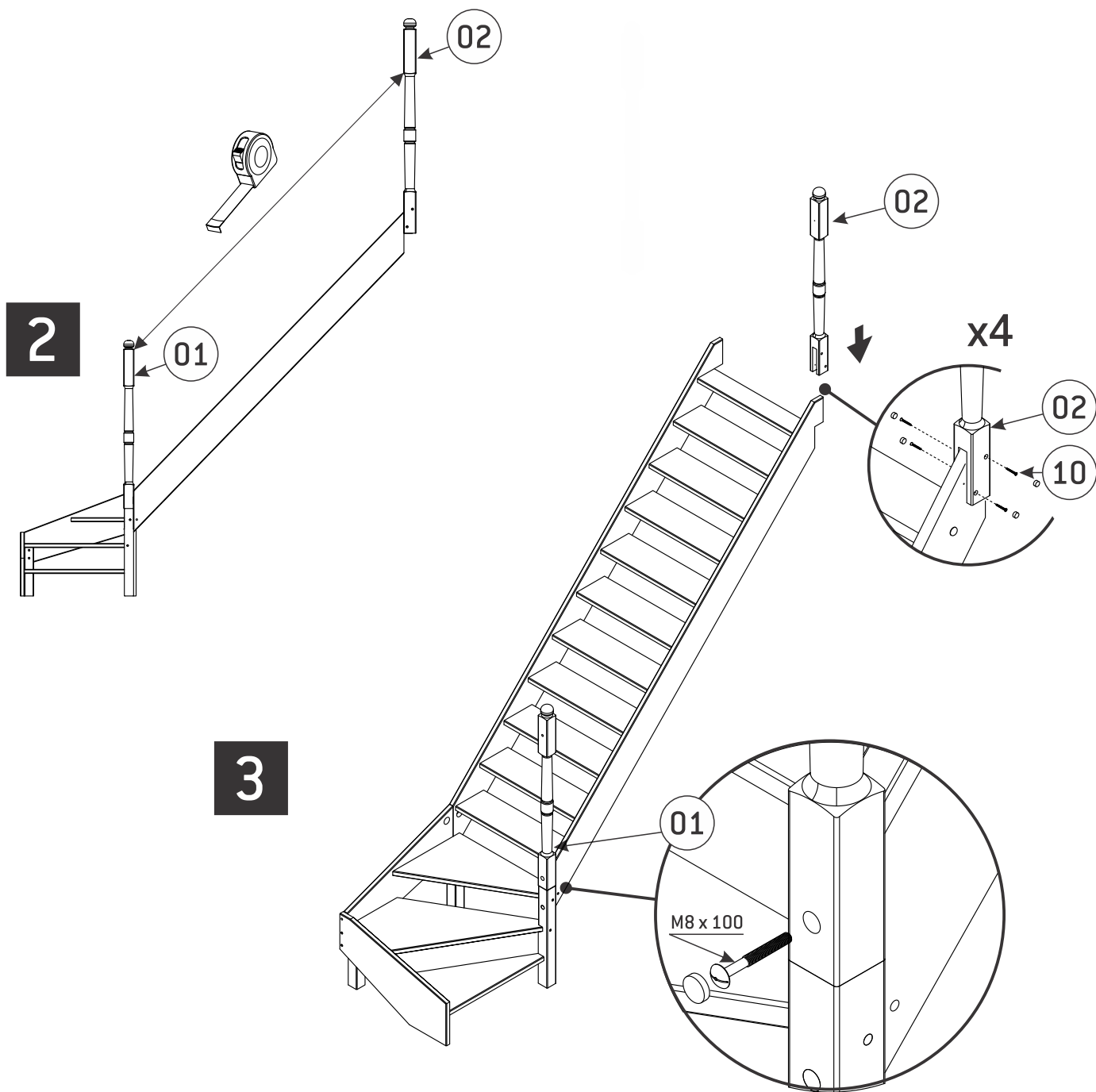
LT SAVOIE/JURA TURÉKLAS "T" LAIPTAMS SU KETVRČIO POSŪKIU

|                                   |                                   |                                   |                                   |                                |                                   |                                  |                                |                                |                                 |                                |
|-----------------------------------|-----------------------------------|-----------------------------------|-----------------------------------|--------------------------------|-----------------------------------|----------------------------------|--------------------------------|--------------------------------|---------------------------------|--------------------------------|
| <b>01</b> 70x70x1189 mm<br>x1<br> | <b>02</b> 70x70x1214 mm<br>x1<br> | <b>03</b> 44x44x831 mm<br>x13<br> | <b>04</b> 50x50x3150 mm<br>x1<br> | <b>05</b> 32x54x3150<br>x1<br> | <b>06</b> 26x16x3150 mm<br>x1<br> | <b>07</b> 16x25x168 mm<br>x2<br> | <b>08</b> Ø12x6 mm<br>x9+2<br> | <b>09</b> Ø4x45 mm<br>x3+2<br> | <b>10</b> Ø4x40 mm<br>x46+2<br> | <b>11</b> Ø5x60 mm<br>x2+1<br> |
|-----------------------------------|-----------------------------------|-----------------------------------|-----------------------------------|--------------------------------|-----------------------------------|----------------------------------|--------------------------------|--------------------------------|---------------------------------|--------------------------------|

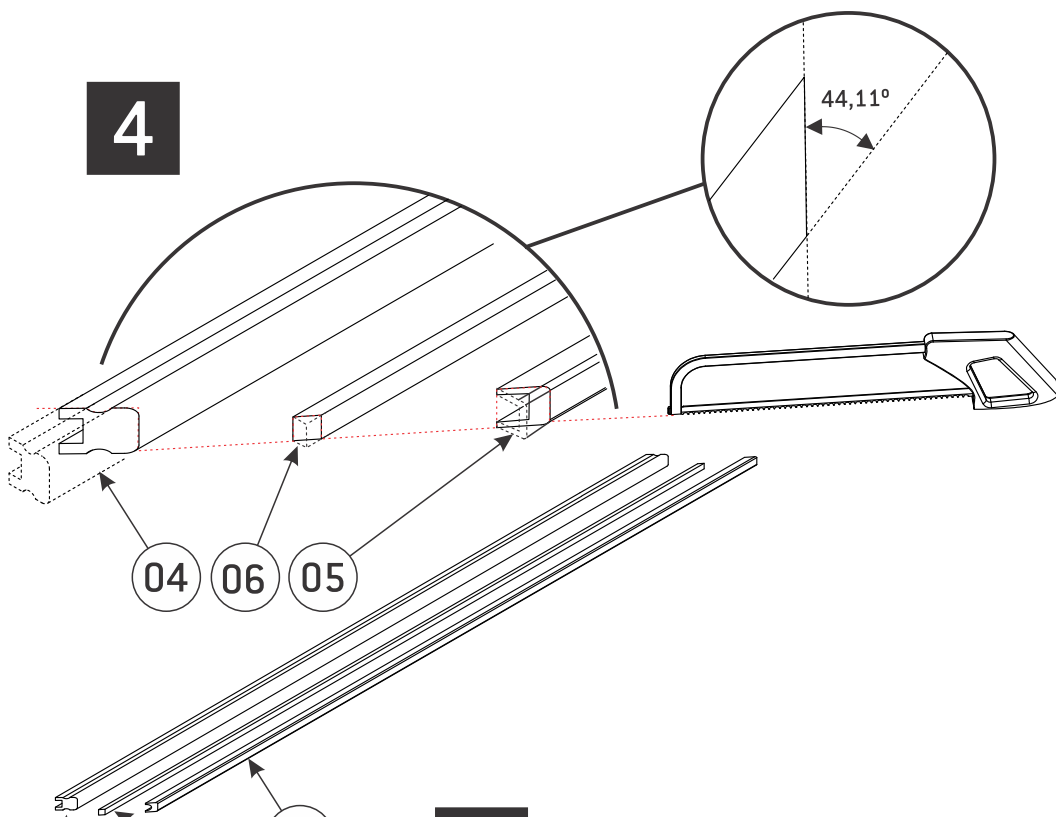


**1**

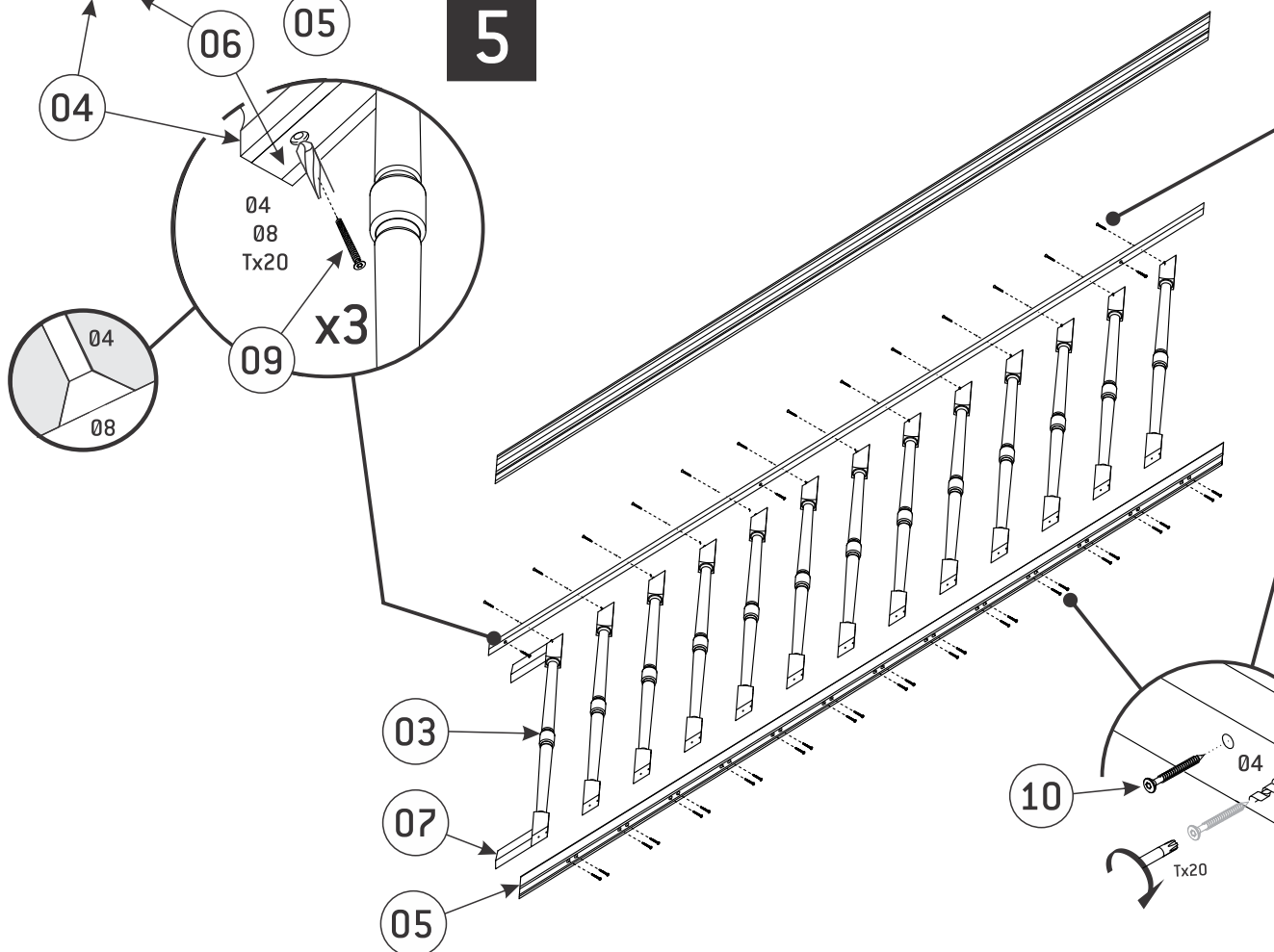




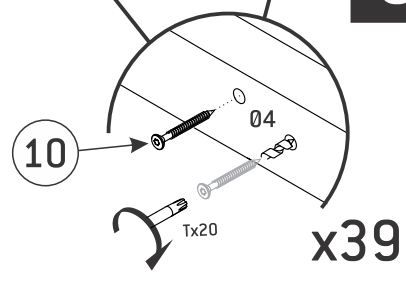
4

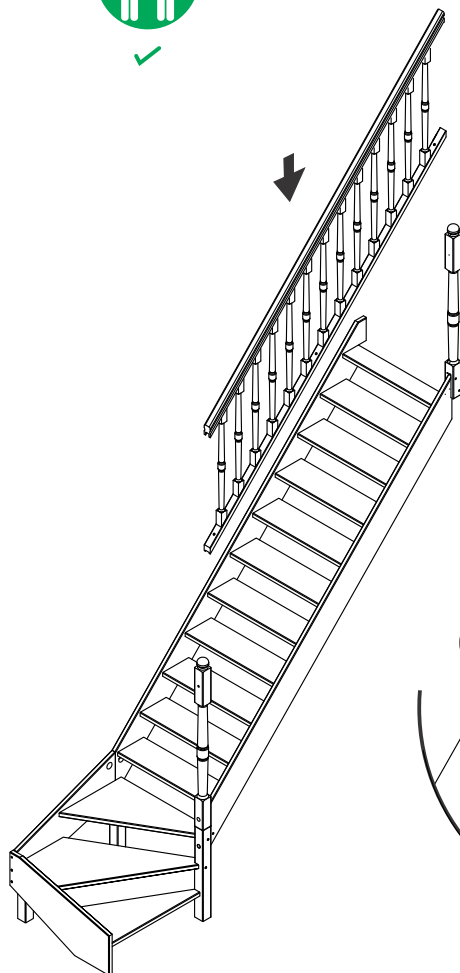


5

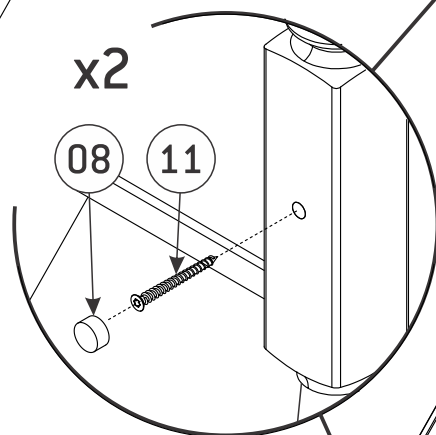


6

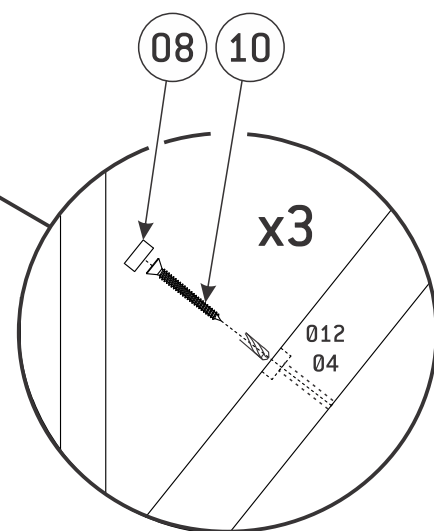
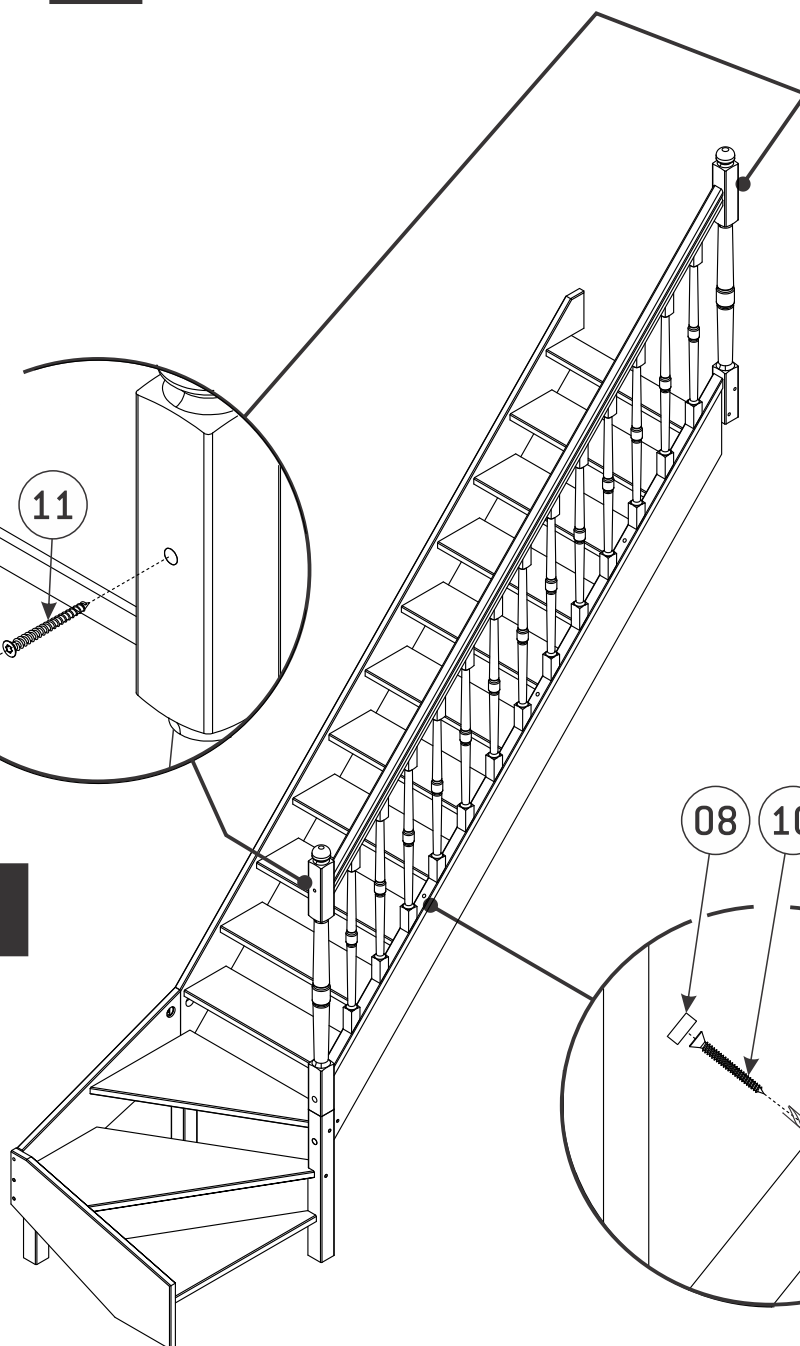




6

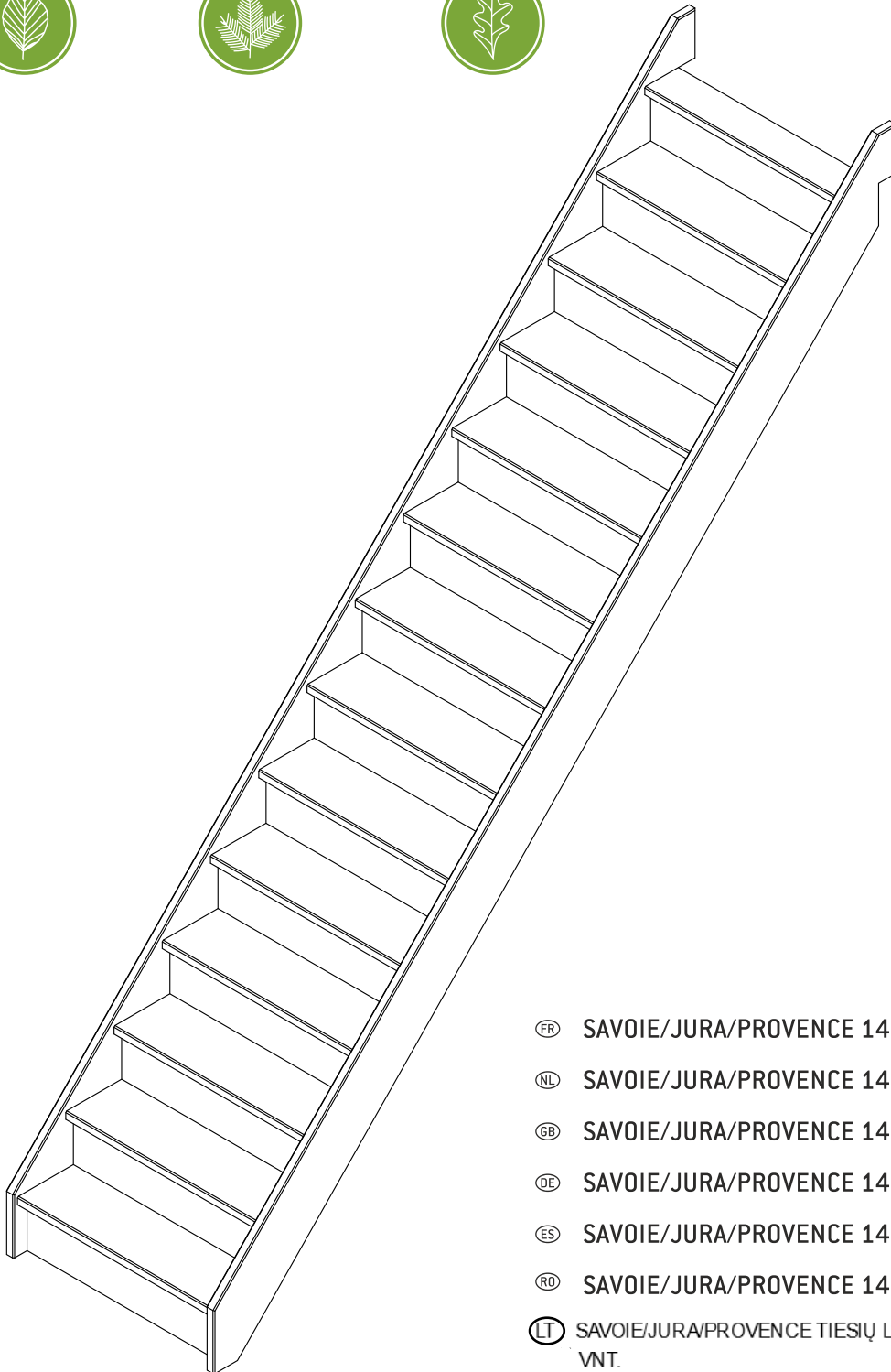


7

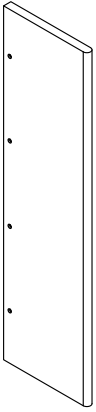
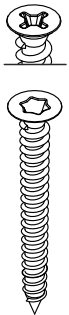



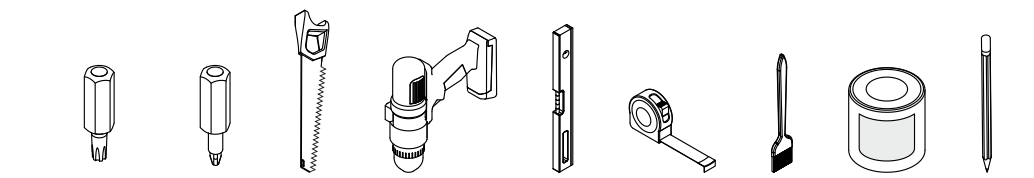
Producent: SOGEM Group, Rue Grimard, 39 B-6061 Montignies-Sur-Sambre (Charleroi) - Belgia  
 Dystrybucja: DOLLE Sp. z o.o., ul. Międzyrzecka 149, 43-382 Bielsko-Biała, Polska  
 Tel. 33 827-24-90, E-mail: biuro@dolle.com

# SAVOIE-JURA-PROVENCE



- Ⓡ SAVOIE/JURA/PROVENCE 14 CONTREMARQUES
- Ⓡ SAVOIE/JURA/PROVENCE 14 TEGENTREDEN
- Ⓡ SAVOIE/JURA/PROVENCE 14 RISERS STAIRCASE
- Ⓡ SAVOIE/JURA/PROVENCE 14 SETZSTUFEN
- Ⓡ SAVOIE/JURA/PROVENCE 14 CONTRAHUELLAS
- Ⓡ SAVOIE/JURA/PROVENCE 14 CONTRATREPTÉ SCARA
- Ⓡ SAVOIE/JURA/PROVENCE TIESIŲ LAIPTŲ PAKOPŲ UŽDENGIMAI. 14 VNT.
- Ⓡ SAVOIE/JURA/PROVENCE 14 PODSTOPNI T

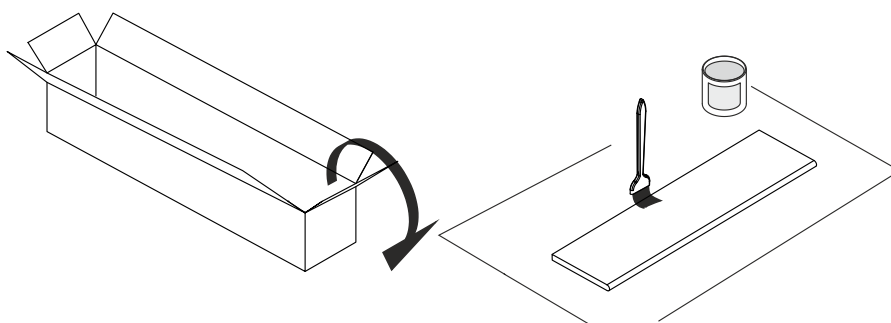
|                                                                                                                                                                                         |                                                                                                                                         |                                                                                                                                       |
|-----------------------------------------------------------------------------------------------------------------------------------------------------------------------------------------|-----------------------------------------------------------------------------------------------------------------------------------------|---------------------------------------------------------------------------------------------------------------------------------------|
| <p><b>01</b> 18x206x770 mm<br/>x14</p>  <p>PROVENCE 70012083<br/>SAVOIE 70012053<br/>JURA 70012023</p> | <p><b>02</b> 04 x 40 mm<br/>x52+2</p>  <p>70031054</p> | <p><b>03</b> 04 x 35 mm<br/>x8</p>  <p>70031050</p> |
|-----------------------------------------------------------------------------------------------------------------------------------------------------------------------------------------|-----------------------------------------------------------------------------------------------------------------------------------------|---------------------------------------------------------------------------------------------------------------------------------------|



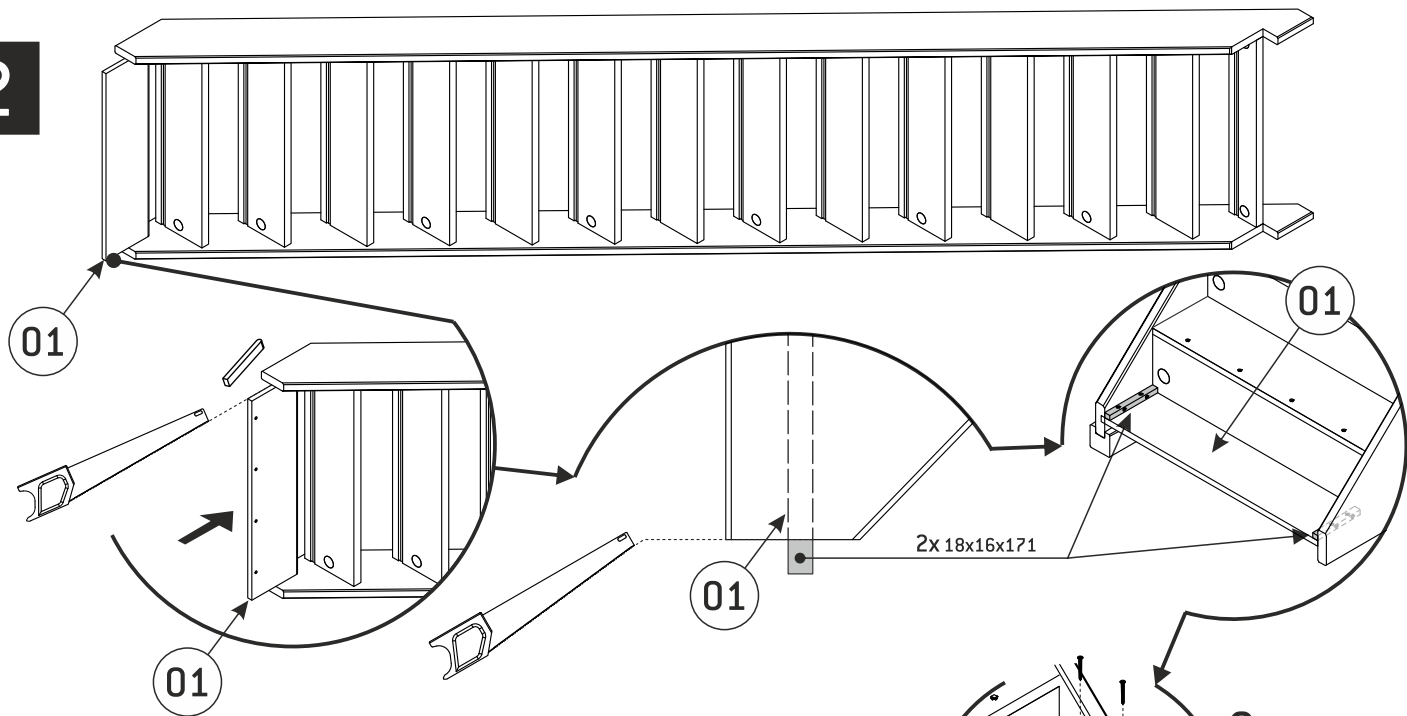
Tx10-30

Ph2/3  
Pz2/3

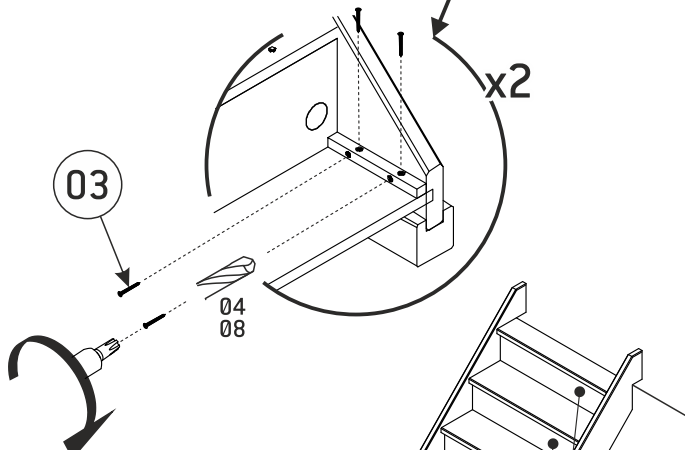
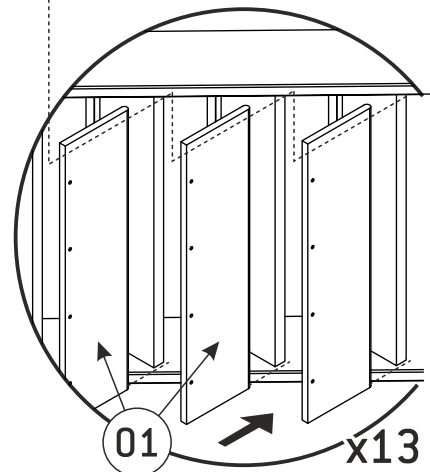
**1**



2

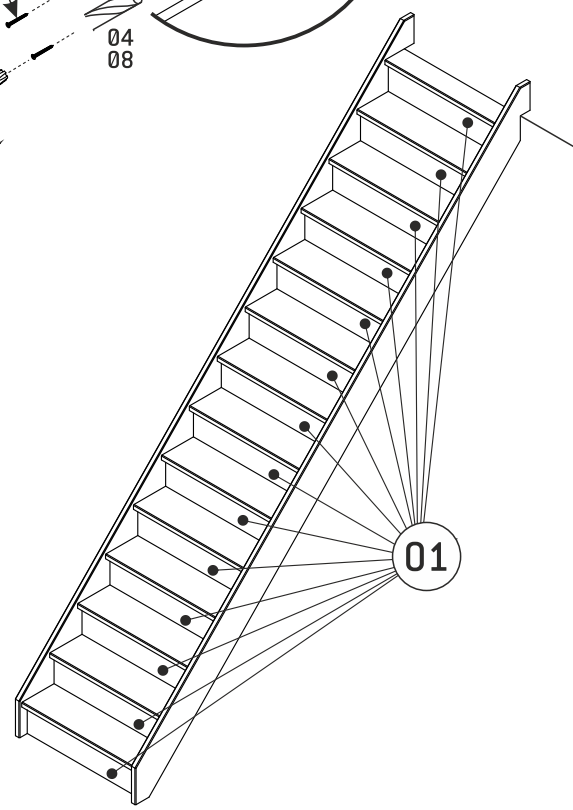
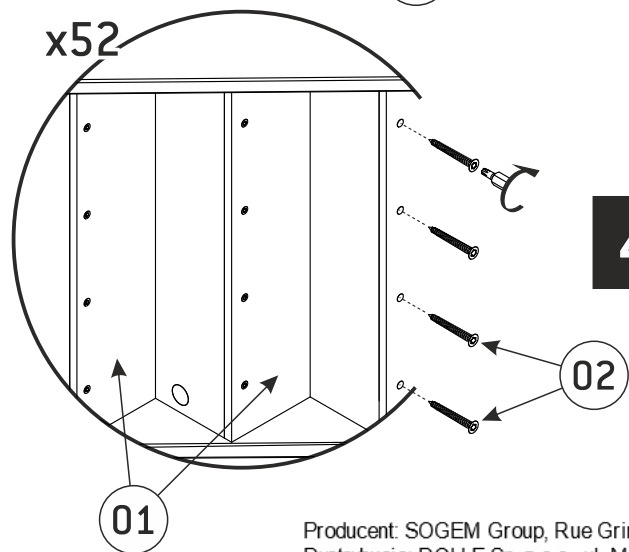


3



x52

4



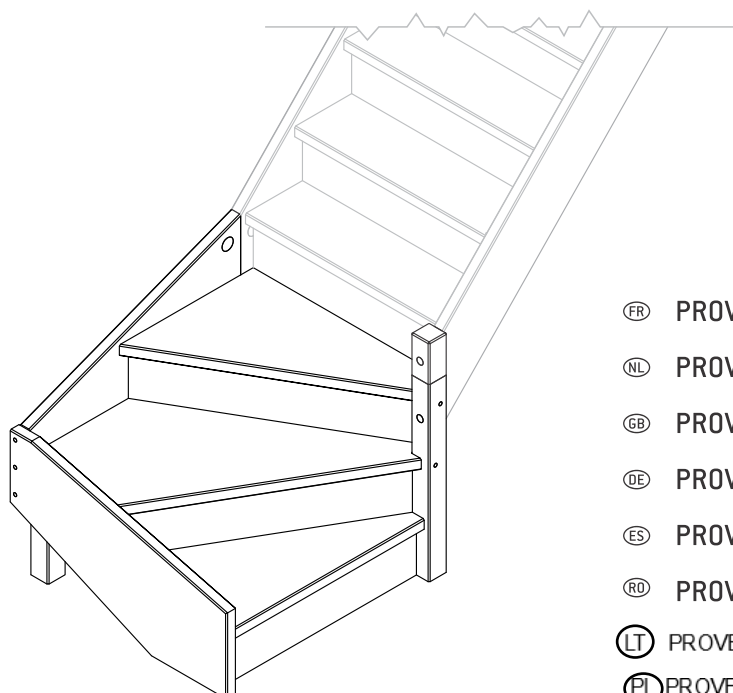
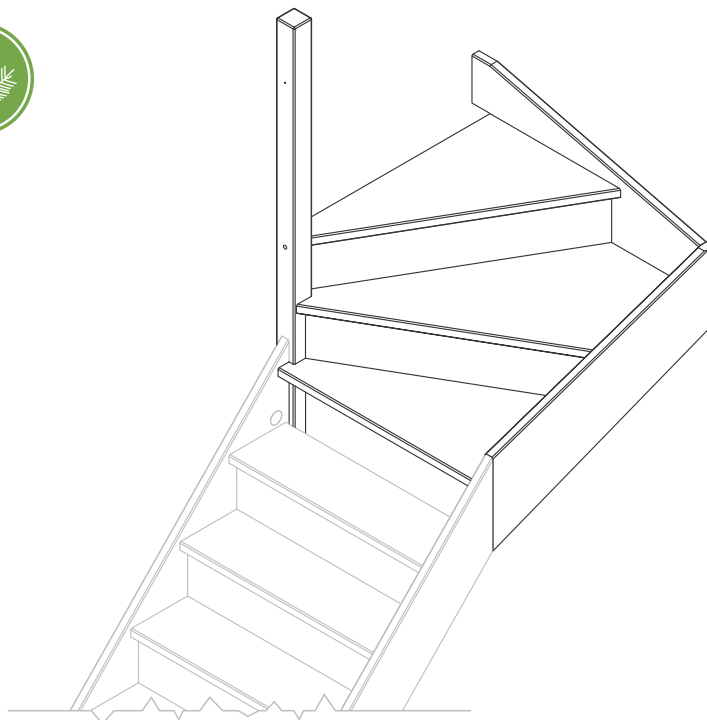
Producent: SOGEM Group, Rue Grimard, 39 B-6061 Montignies-Sur-Sambre (Charleroi) - Belgia  
 Dystrybucja: DOLLE Sp. z o.o., ul. Międzyrzecka 149, 43-382 Bielsko-Biała, Polska  
 Tel. 33 827-24-90, E-mail: biuro@dolle.com



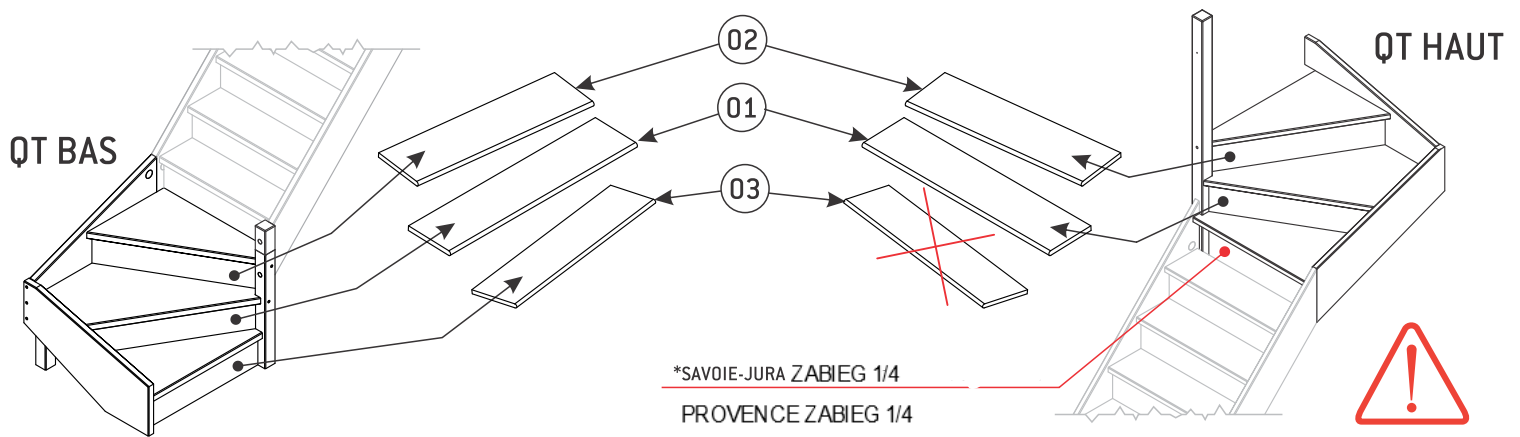
SOGEM

DOLLE

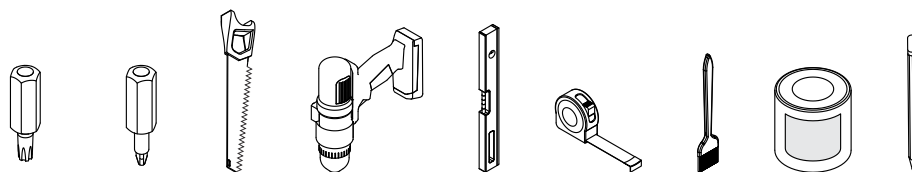
# PROVENCE- SAVOIE-JURA 1/4T / 1/4T<sup>HAUT</sup>



- Ⓡ PROVENCE/SAVOIE/JURA 3 CONTREMARCHES
- Ⓝ PROVENCE/SAVOIE/JURA 3 TEGENTREDEN
- Ⓢ PROVENCE/SAVOIE/JURA 3 RISERS STAIRCASE
- Ⓝ PROVENCE/SAVOIE/JURA 3 SETZSTUFEN
- Ⓢ PROVENCE/SAVOIE/JURA 3 CONTRAHUELLAS
- Ⓡ PROVENCE/SAVOIE/JURA 3 CONTRATREPTÉ SCARA
- Ⓝ PROVENCE/SAVOIE/JURA posūkio pakopų uždengimai
- Ⓝ PROVENCE/SAVOIE/JURA 3 PODSTOPNIE



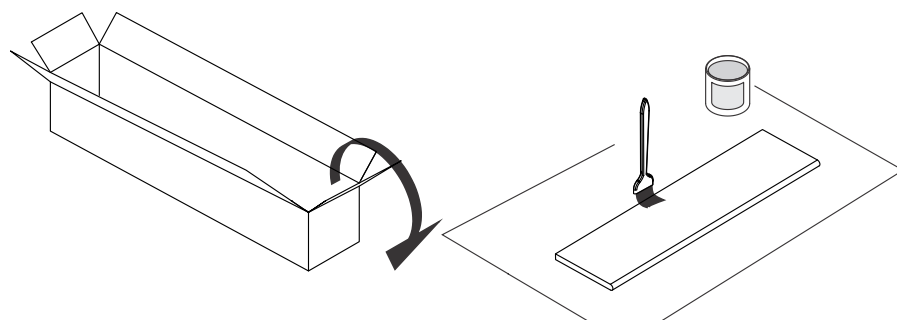
| 01                                                    | 02                                                    | 03                                                    | 04         |
|-------------------------------------------------------|-------------------------------------------------------|-------------------------------------------------------|------------|
| 18x206x960 mm                                         | 18x206x915 mm                                         | 18x181x770 mm                                         | 04 x 40 mm |
| x1                                                    | x1                                                    | x1                                                    | x8+2       |
|                                                       |                                                       |                                                       |            |
| PROVENCE 70012084<br>SAVOIE 70012054<br>JURA 70012024 | PROVENCE 70012085<br>SAVOIE 70012055<br>JURA 70012025 | PROVENCE 70012086<br>SAVOIE 70012056<br>JURA 70012026 | 70031054   |

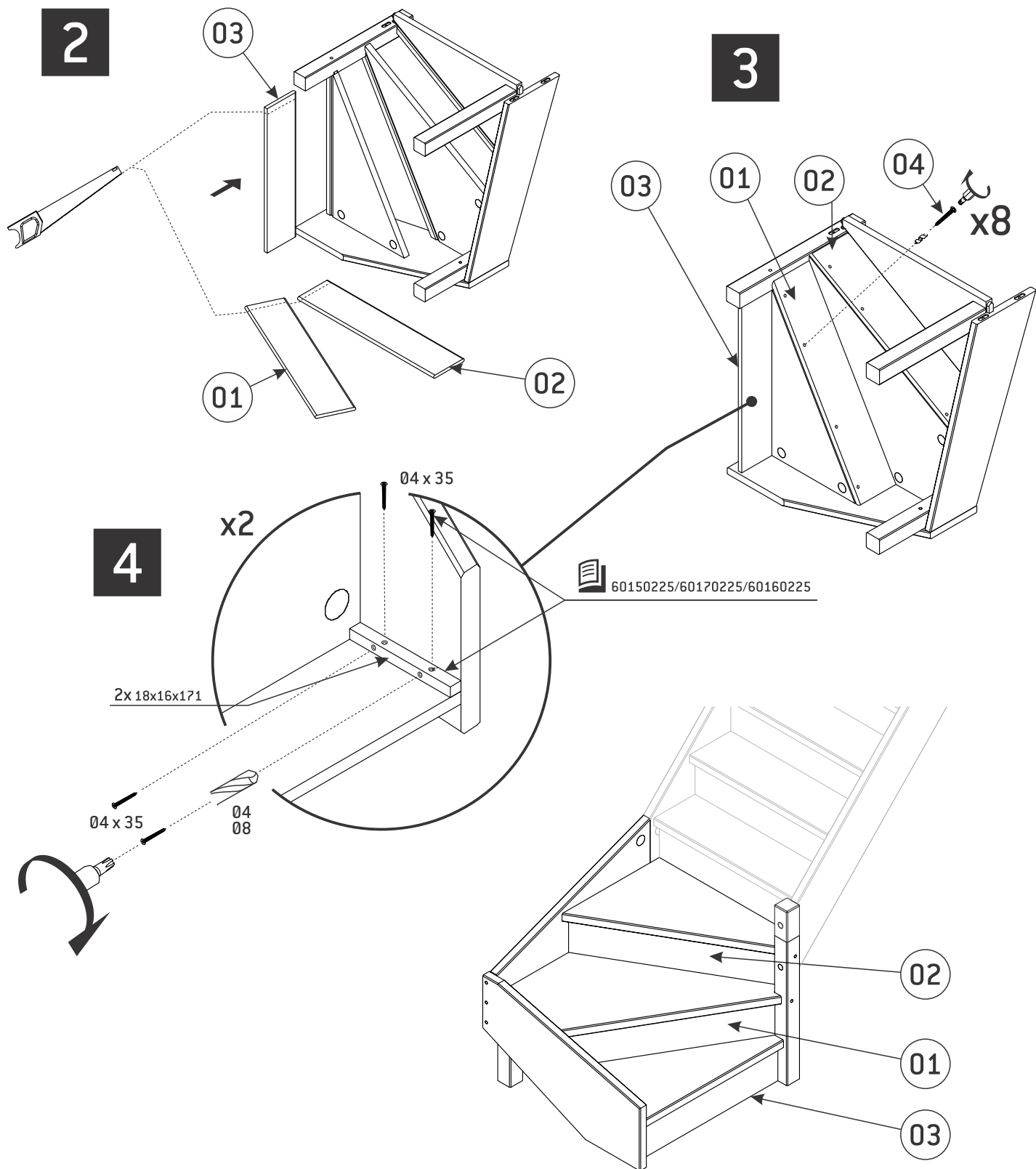


Tx10-30

Ph2/3  
Pz2/3

**1**





Producent: SOGEM Group, Rue Grimard, 39 B-6061 Montignies-Sur-Sambre (Charleroi) - Belgia  
 Dystrybucja: DOLLE Sp. z o.o., ul. Międzyrzecka 149, 43-382 Bielsko-Biała, Polska  
 Tel. 33 827-24-90, E-mail: biuro@dolle.com